



US00D791847S

(12) **United States Design Patent**
DeCorte et al.

(10) **Patent No.:** **US D791,847 S**

(45) **Date of Patent:** **** Jul. 11, 2017**

- (54) **WELDING TRANSFORMER**
- (71) Applicant: **RoMan Manufacturing, Inc.**, Grand Rapids, MI (US)
- (72) Inventors: **Donald B. DeCorte**, Hudsonville, MI (US); **Mark B. Siehling**, Walker, MI (US)
- (73) Assignee: **ROMAN MANUFACTURING, INC.**, Grand Rapids, MI (US)
- (**) Term: **14 Years**
- (21) Appl. No.: **29/516,071**
- (22) Filed: **Jan. 29, 2015**
- (51) **LOC (10) Cl.** **15-09**
- (52) **U.S. Cl.**
USPC **D15/144**
- (58) **Field of Classification Search**
USPC D15/122, 144, 144.1, 144.2
CPC B23K 9/028; B23K 9/1735; B23K 37/053
See application file for complete search history.

(56) **References Cited**

U.S. PATENT DOCUMENTS

D243,669	S	*	3/1977	Webster	D12/101
D281,250	S	*	11/1985	Johnson	D15/144
4,885,453	A	*	12/1989	Martin	B23K 9/1336 219/136
D388,903	S	*	1/1998	Kelsey	D28/38
D391,227	S	*	2/1998	Dickey	D13/110
D393,096	S	*	3/1998	Duenkelsbuehler	D26/106
D416,030	S	*	11/1999	Weller	D15/144.1
D550,731	S	*	9/2007	Ishihara	D15/144.2
D558,803	S	*	1/2008	Gisler	D15/144
D621,430	S	*	8/2010	Christen	D15/144
D642,604	S	*	8/2011	Rohrer	D15/144
D752,665	S	*	3/2016	Kindig	D15/144

- 2011/0014593 A1* 1/2011 Kumar A63F 1/02
434/129
- 2013/0228556 A1* 9/2013 Segala B23K 10/00
219/121.39
- 2014/0251961 A1 9/2014 Karagoulis et al.

* cited by examiner

Primary Examiner — Patricia Palasik

(74) *Attorney, Agent, or Firm* — Warner Norcross and Judd LLP

(57) **CLAIM**

The ornamental design for a welding transformer, as shown and described.

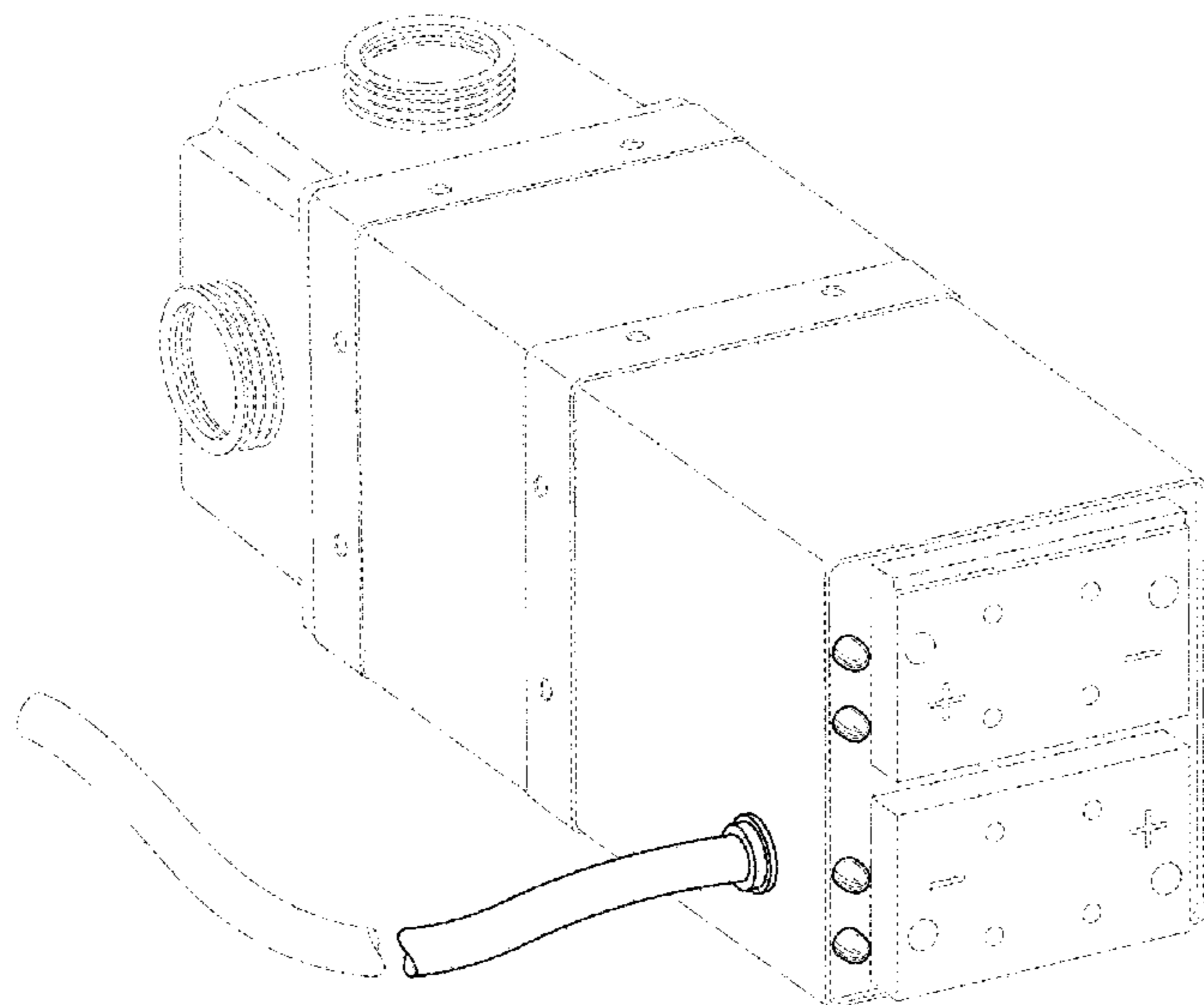
DESCRIPTION

FIG. 1 is a perspective view of a first embodiment of the welding transformer;
 FIG. 2 is a first end view thereof;
 FIG. 3 is a second end view thereof;
 FIG. 4 is a first side view thereof;
 FIG. 5 is a second side view thereof;
 FIG. 6 is a top view thereof;
 FIG. 7 is a bottom view thereof;
 FIG. 8 is a perspective view of a second embodiment of the welding transformer;
 FIG. 9 is a first end view thereof;
 FIG. 10 is a second end view thereof;
 FIG. 11 is a first side view thereof;
 FIG. 12 is a second side view thereof;
 FIG. 13 is a top view thereof; and,
 FIG. 14 is a bottom view thereof.

The broken lines in the drawings depict unclaimed environmental subject matter.

The broken away symbols in the drawings indicate that any portion of the article beyond what is shown forms no part of the claimed design.

1 Claim, 8 Drawing Sheets



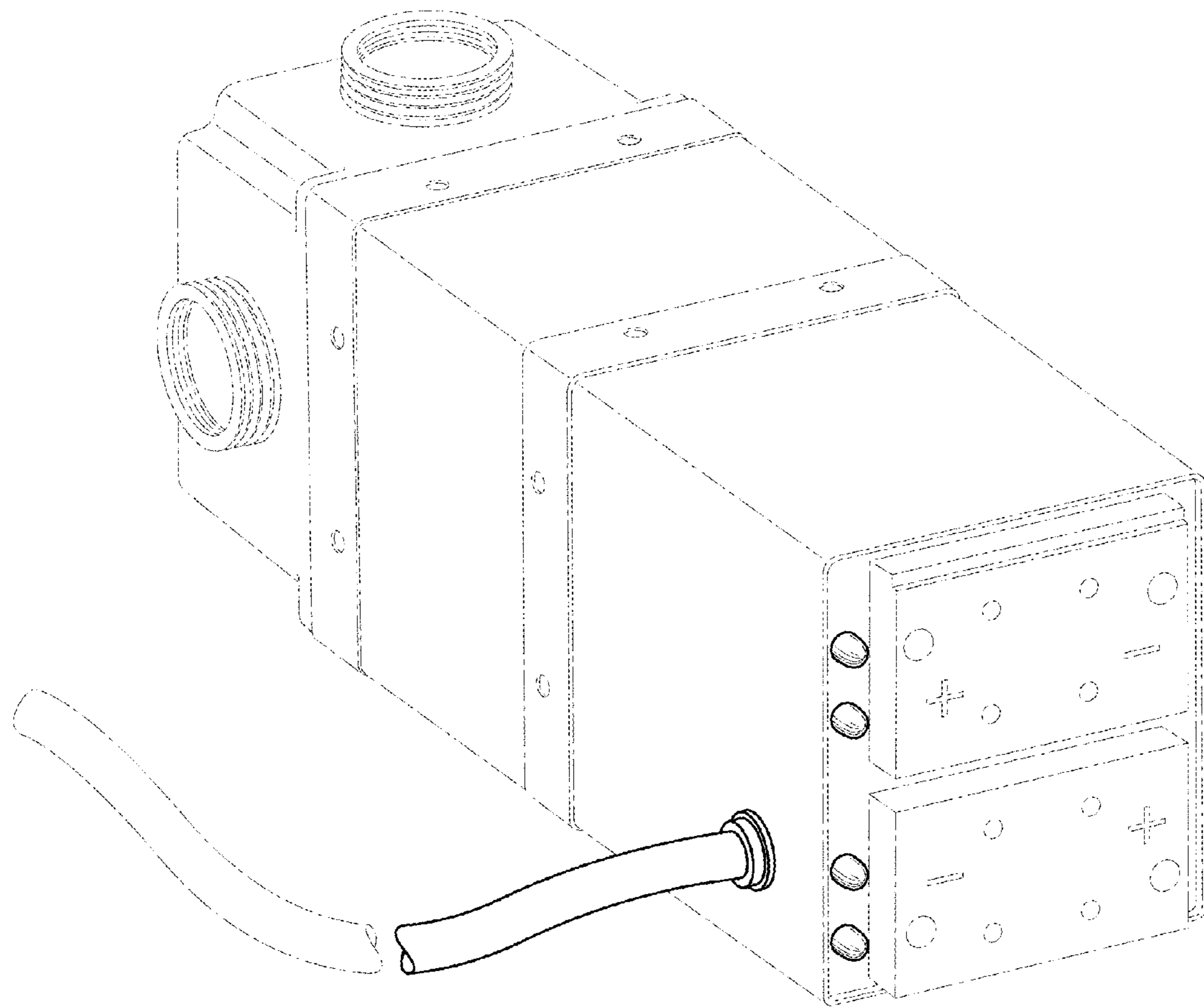


Fig. 1

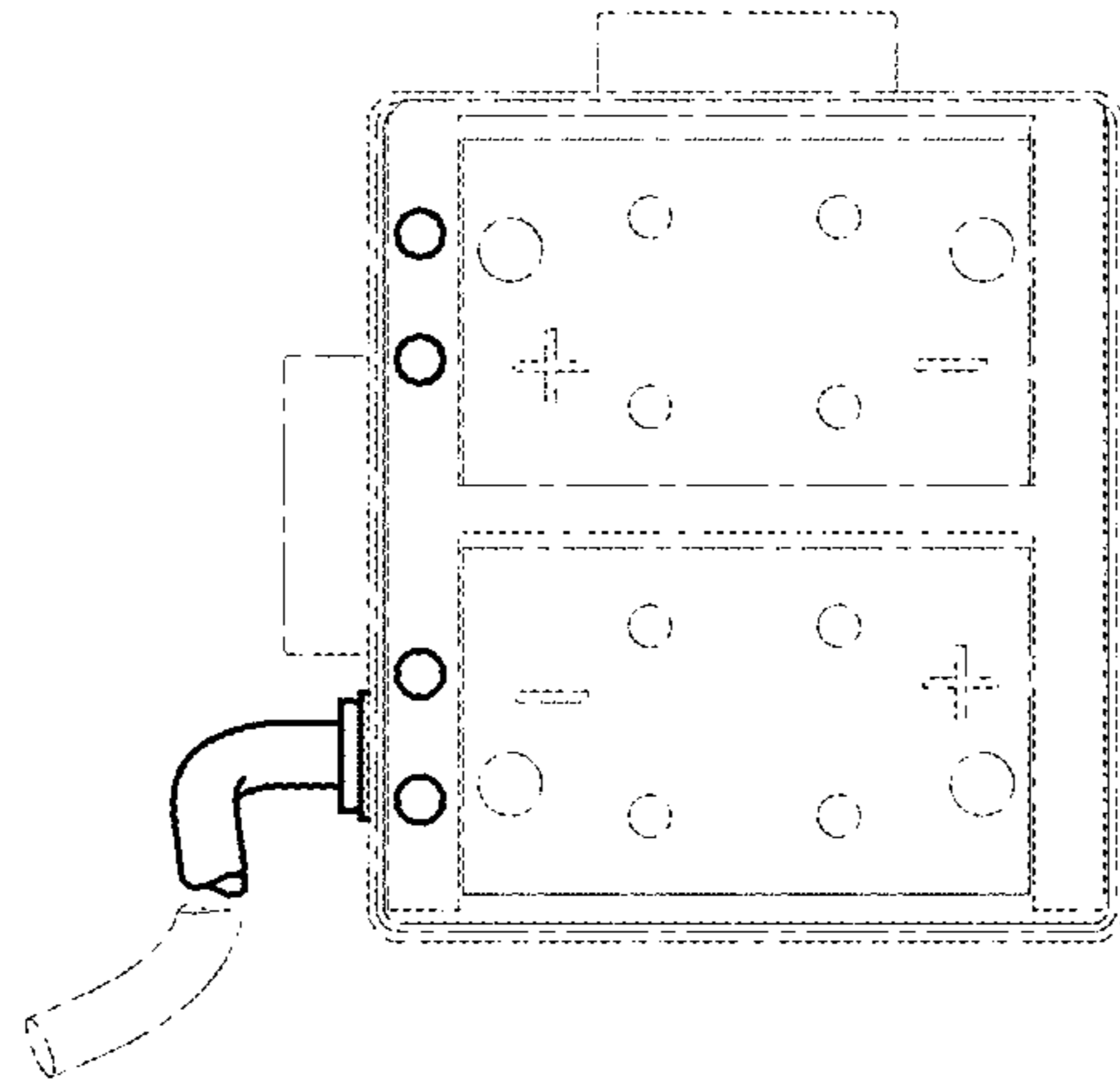


Fig. 2

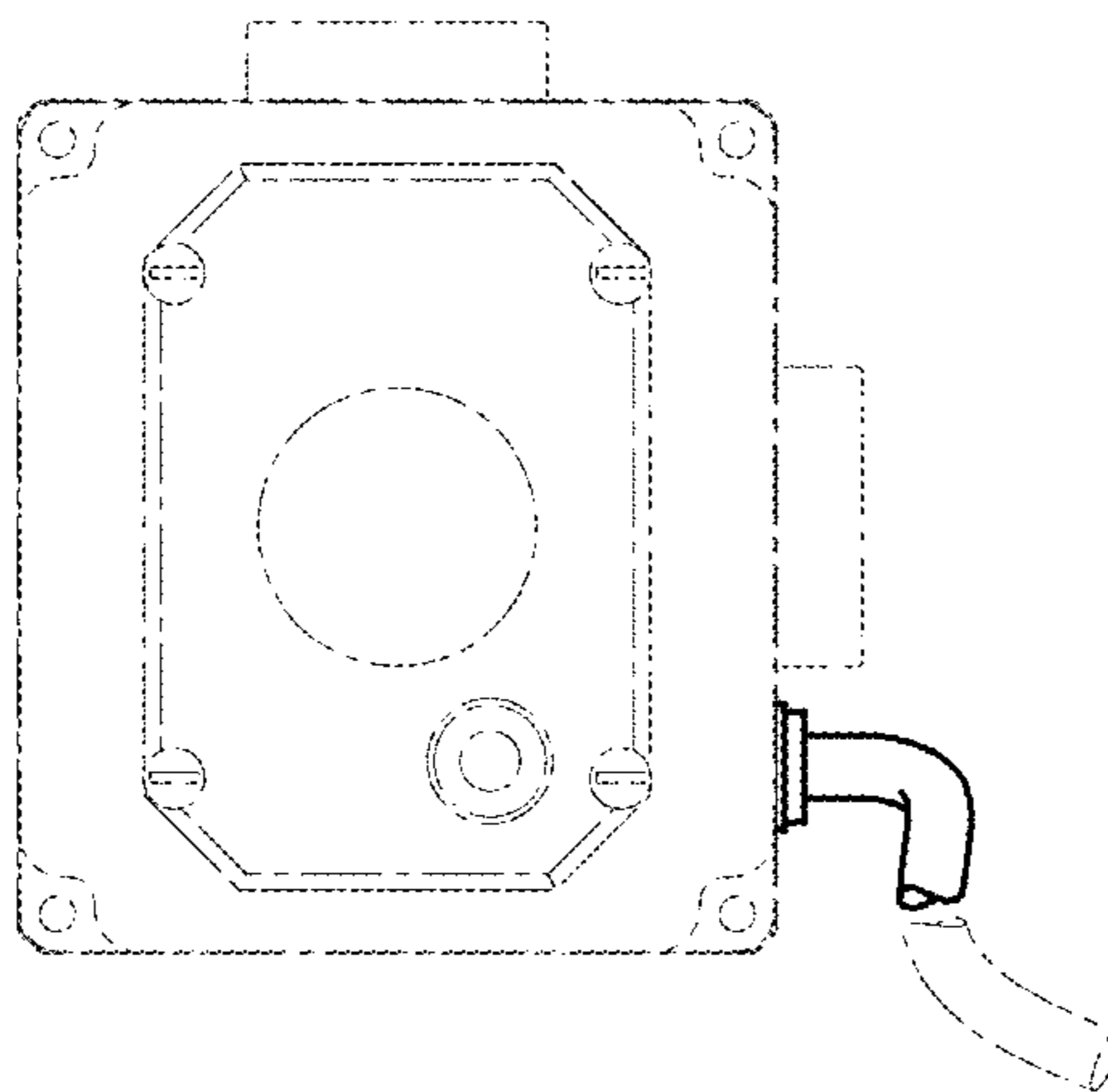


Fig. 3

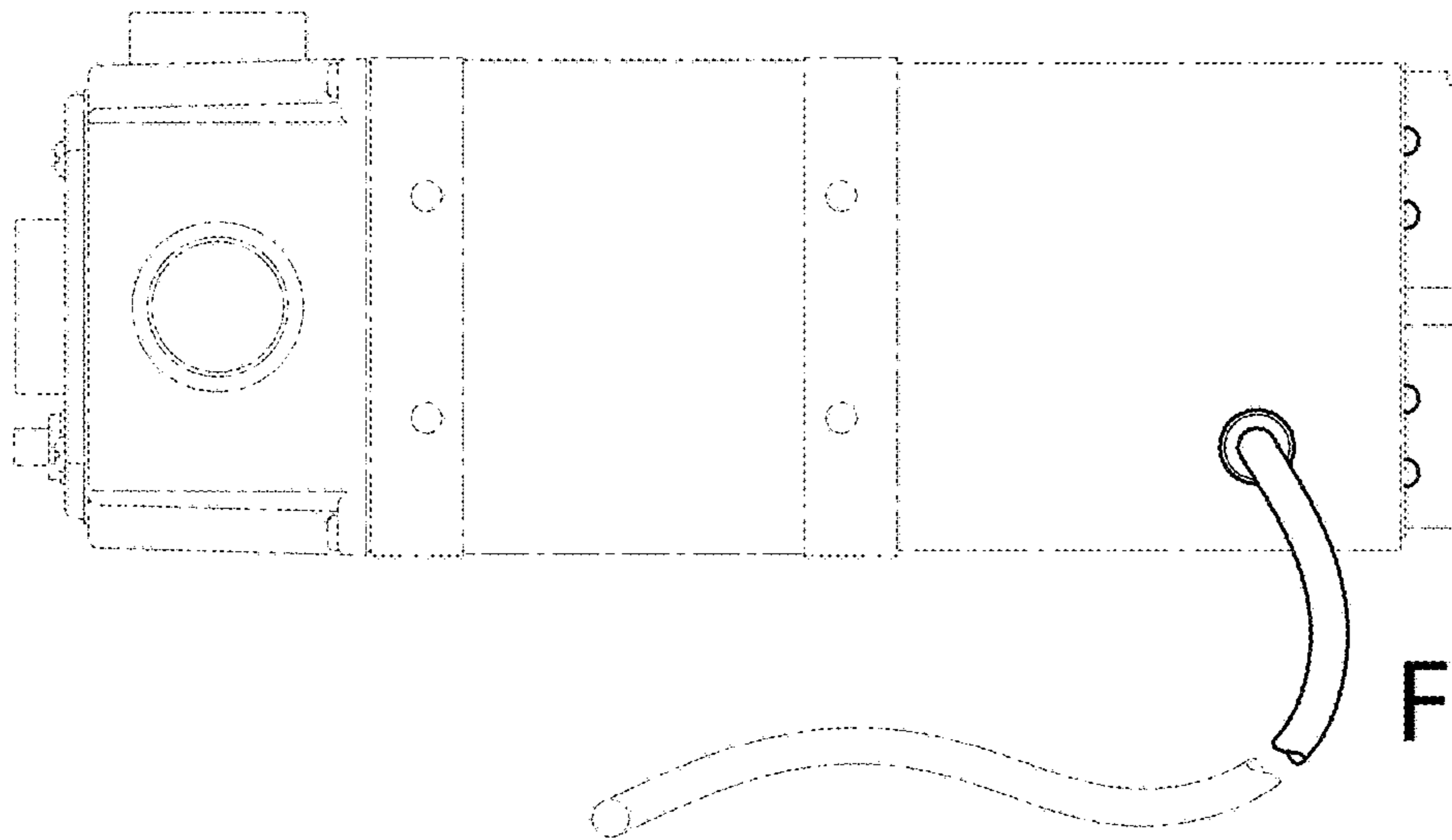


Fig. 4

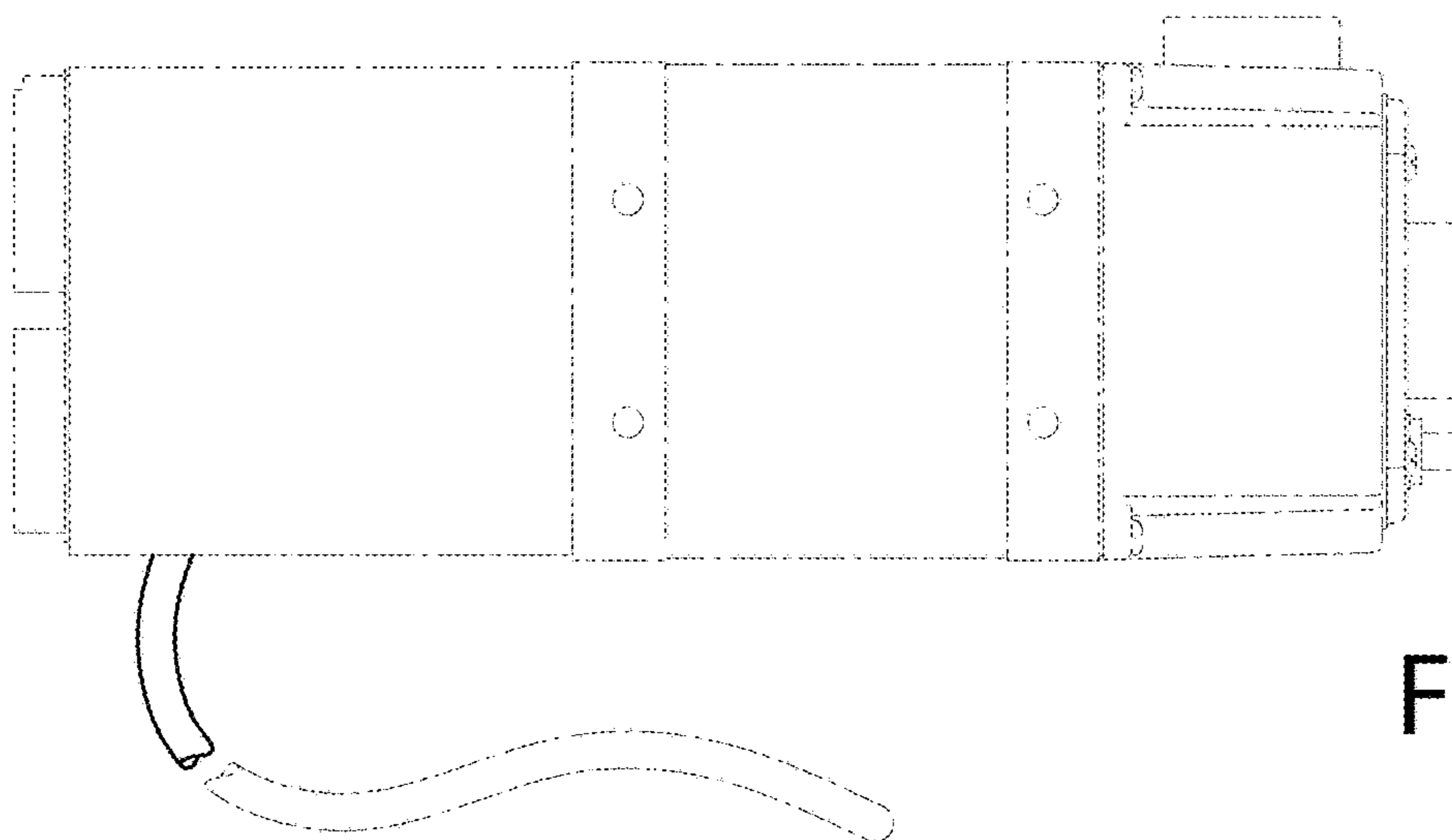


Fig. 5

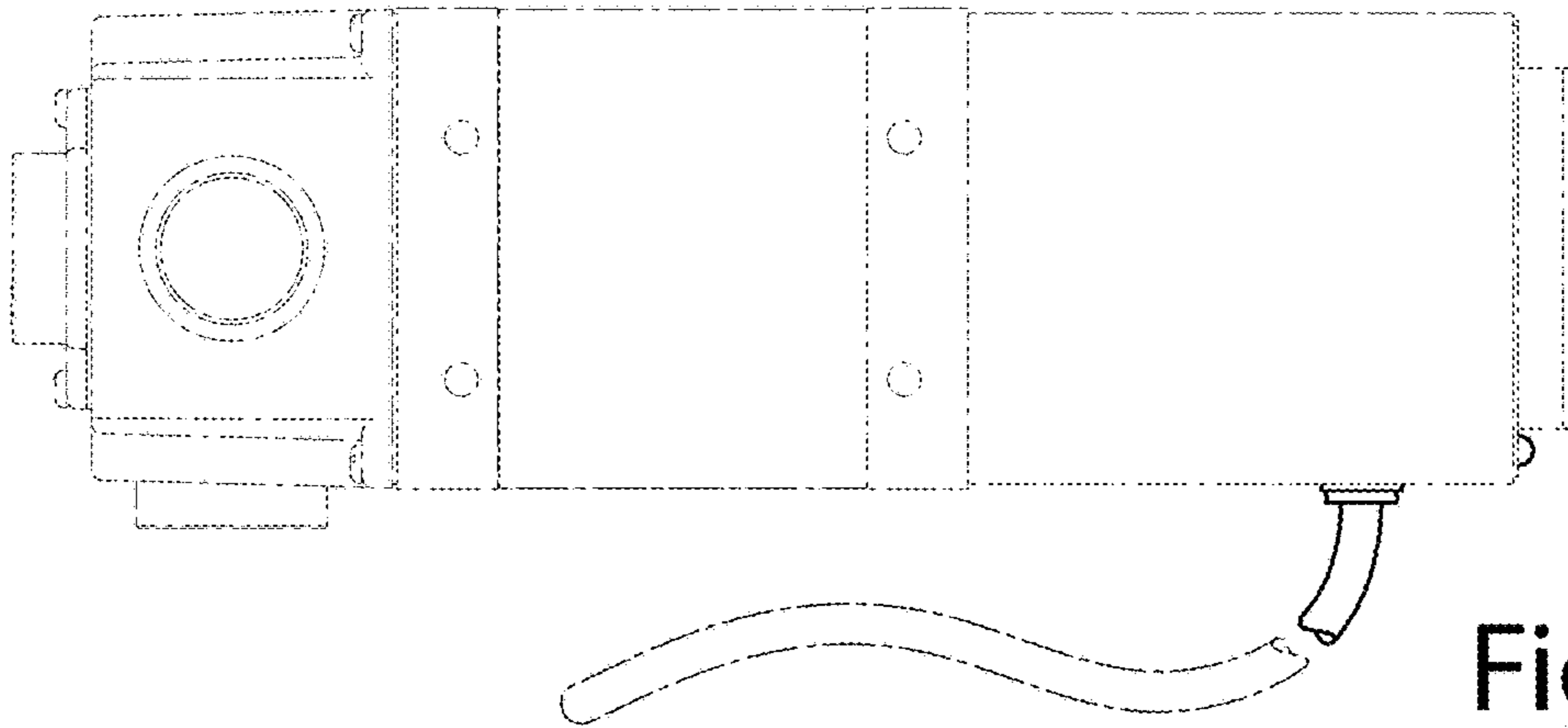


Fig. 6

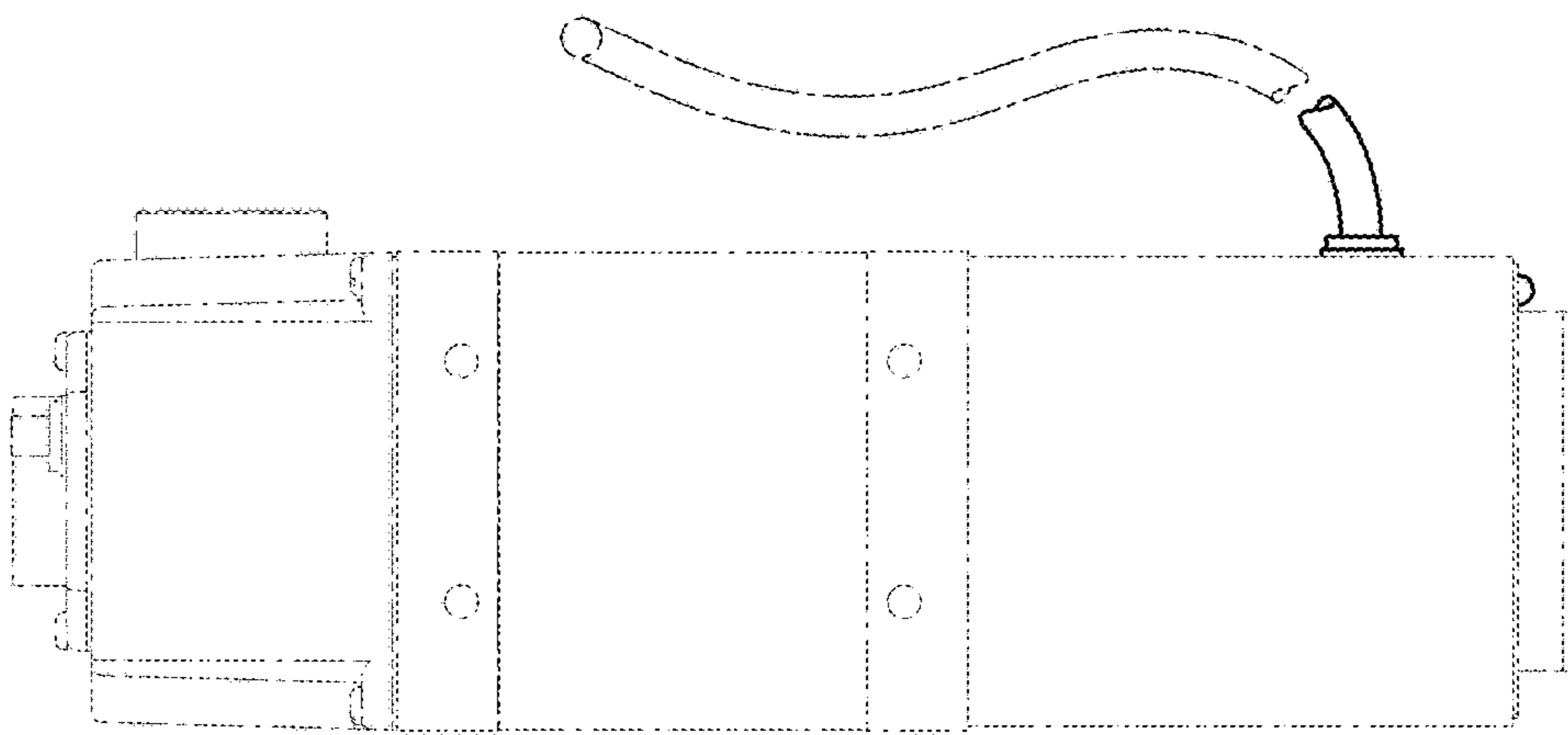


Fig. 7

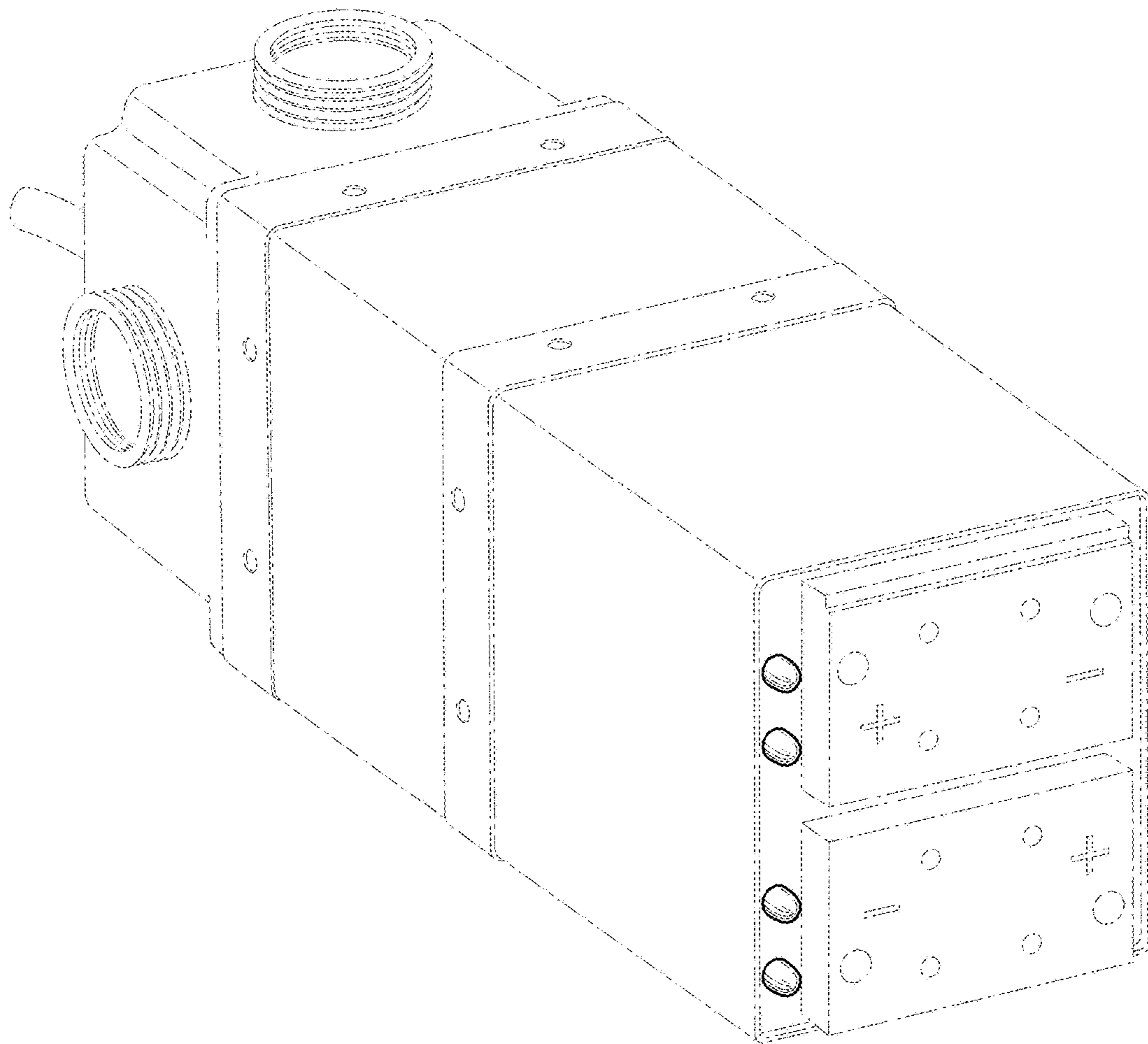


Fig. 8

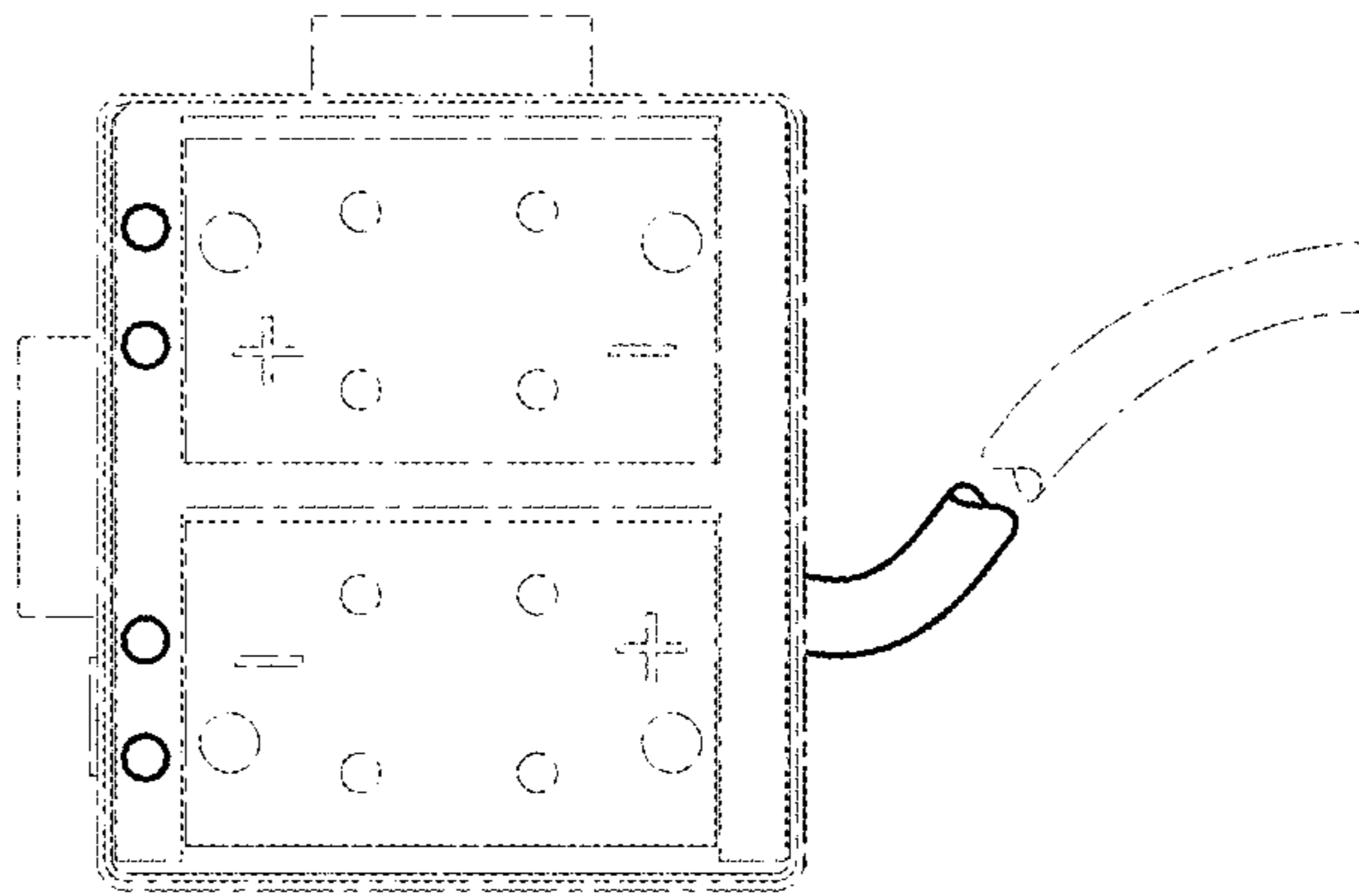


Fig. 9

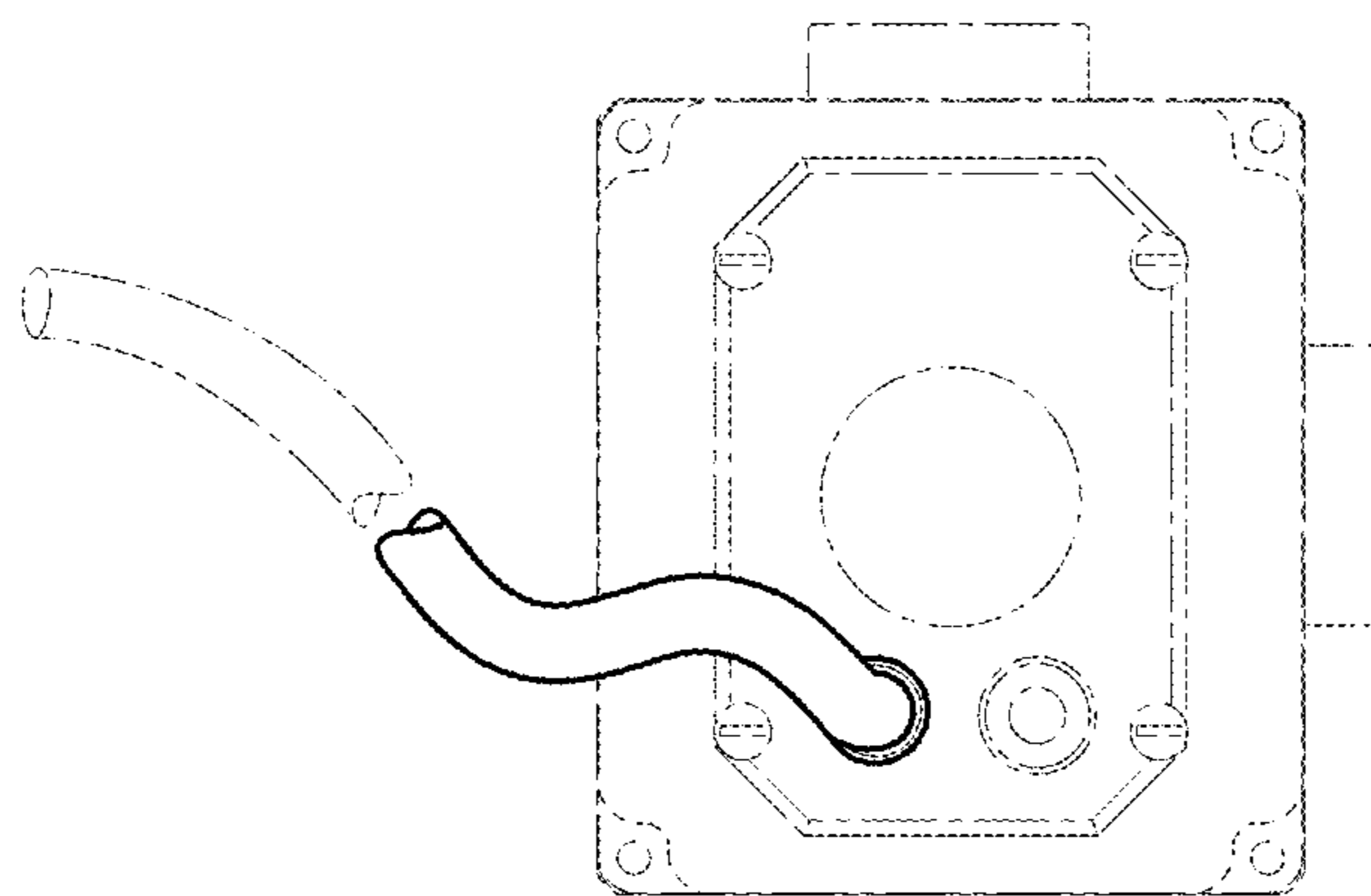


Fig. 10

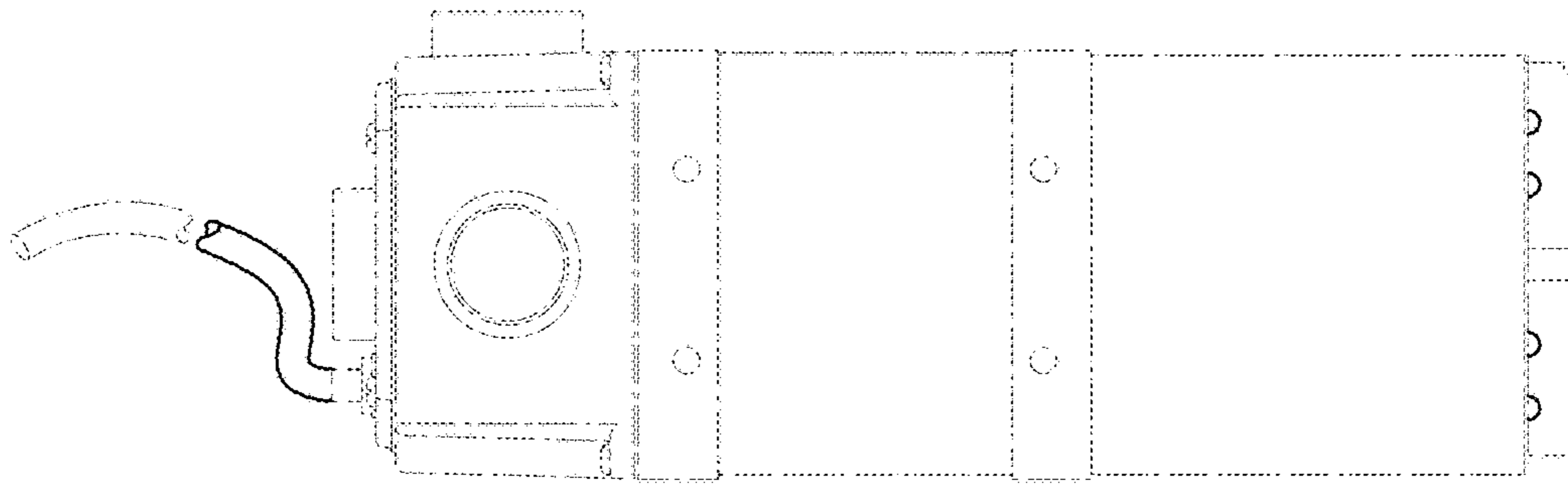


Fig. 11

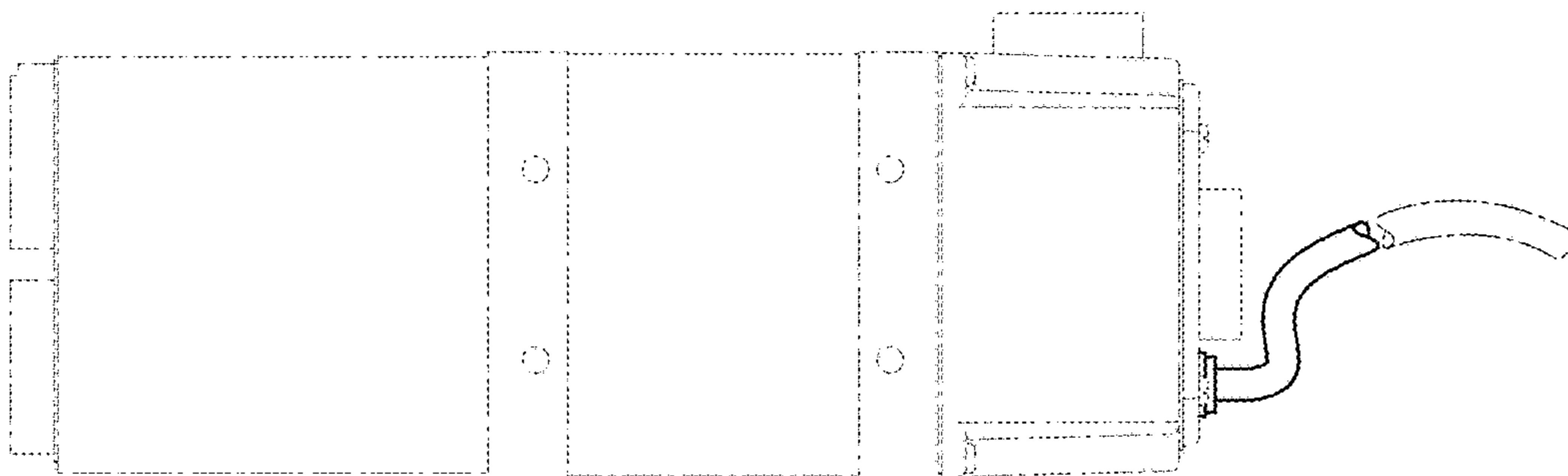


Fig. 12

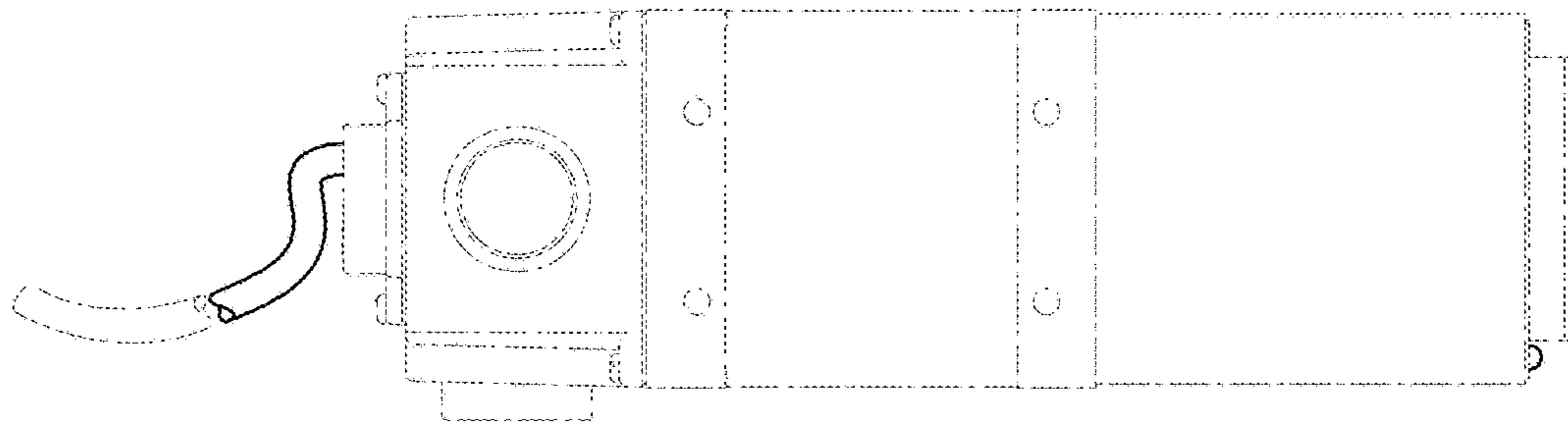


Fig. 13

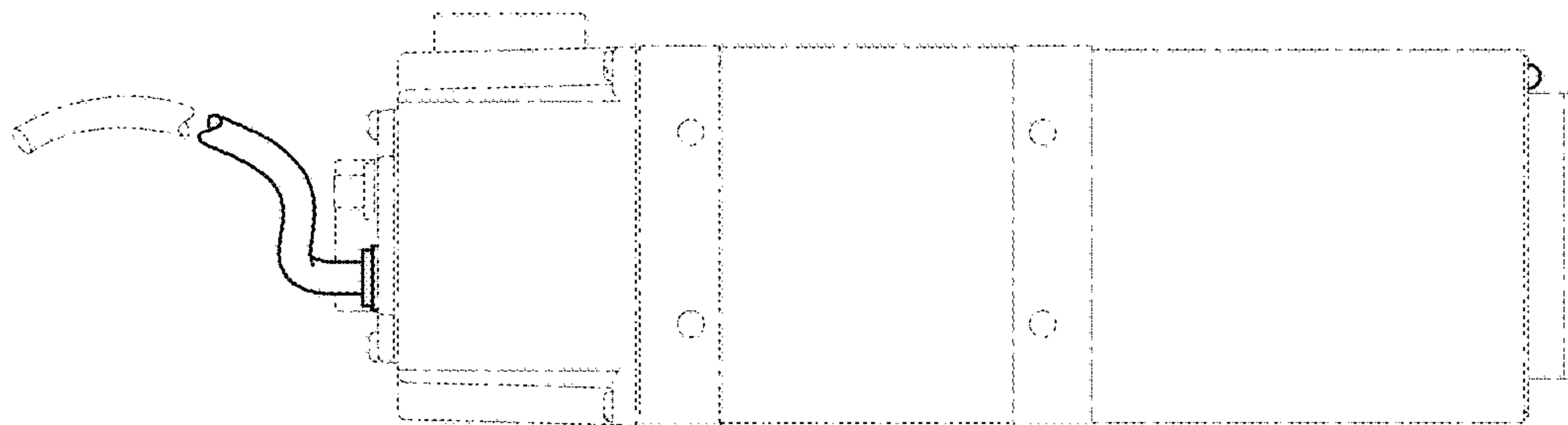


Fig. 14