



US00D791846S

(12) **United States Design Patent**  
**Zhang**

(10) **Patent No.:** **US D791,846 S**

(45) **Date of Patent:** **\*\* Jul. 11, 2017**

(54) **MACHINE HOUSING**

(71) Applicant: **Shaoyu Zhang**, Guangzhou (CN)

(72) Inventor: **Shaoyu Zhang**, Guangzhou (CN)

(73) Assignee: **Guangzhou Balancer Machinery Co., Ltd.**, Guangzhou, Guangdong (CN)

(\*\*) Term: **15 Years**

(21) Appl. No.: **29/537,613**

(22) Filed: **Aug. 27, 2015**

(51) **LOC (10) Cl.** ..... **15-09**

(52) **U.S. Cl.**  
USPC ..... **D15/122**

(58) **Field of Classification Search**  
USPC .... D15/122-143; 219/121.6, 121.67, 121.78  
CPC ..... B23K 26/38; B23K 26/087  
See application file for complete search history.

(56) **References Cited**

**U.S. PATENT DOCUMENTS**

D479,086 S *	9/2003	Rivard	.....	D7/306
D604,342 S *	11/2009	Lodridge	.....	D15/122
D632,709 S *	2/2011	Schade	.....	B01D 21/0012
				D15/122
D635,595 S *	4/2011	Hiroshima	.....	D15/122
D685,825 S *	7/2013	Hoelbl	.....	D15/122

D694,298 S *	11/2013	Hoelbl	.....	D15/122
D695,324 S *	12/2013	Ballweg	.....	D15/122
D718,795 S *	12/2014	Schonherr	.....	D15/122
D729,290 S *	5/2015	Yamada	.....	D15/122
D759,736 S *	6/2016	Huang	.....	D15/122
D759,737 S *	6/2016	Gramlich	.....	D15/122
D762,748 S *	8/2016	Schonherr	.....	D15/122
D767,652 S *	9/2016	Schonherr	.....	D15/122

\* cited by examiner

*Primary Examiner* — Patricia Palasik

(74) *Attorney, Agent, or Firm* — The Dobrusin Law Firm, P.C.

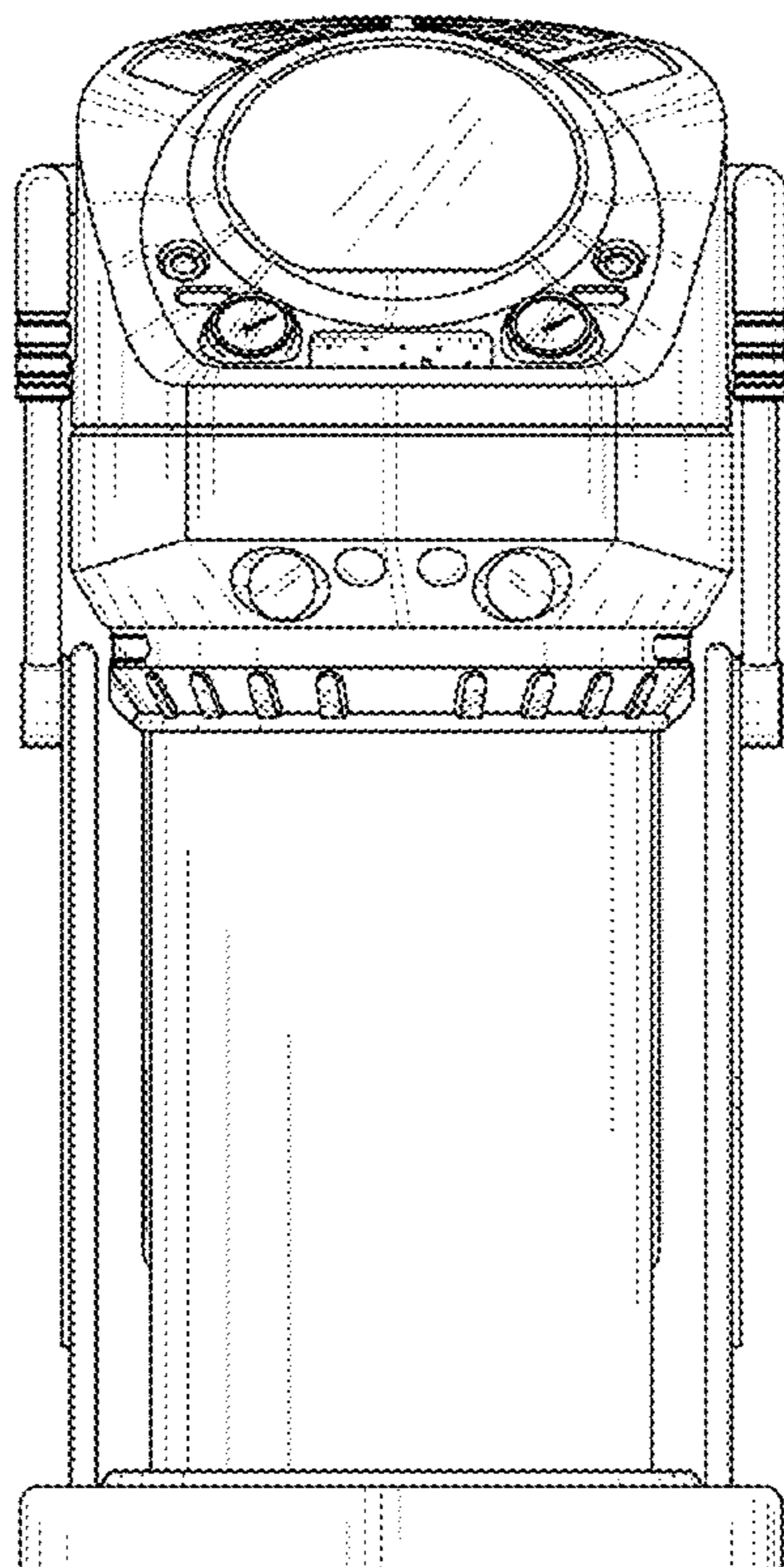
(57) **CLAIM**

The ornamental design for a machine housing, as shown and described.

**DESCRIPTION**

FIG. 1 is a front view of a machine housing;  
FIG. 2 is a rear view of the machine housing;  
FIG. 3 is a left view of the machine housing;  
FIG. 4 is a right view of the machine housing; and,  
FIG. 5 is a top view of the machine housing.  
The broken lines showing environment in the drawings are for illustrative purposes only and form no part of the claimed design.

**1 Claim, 5 Drawing Sheets**



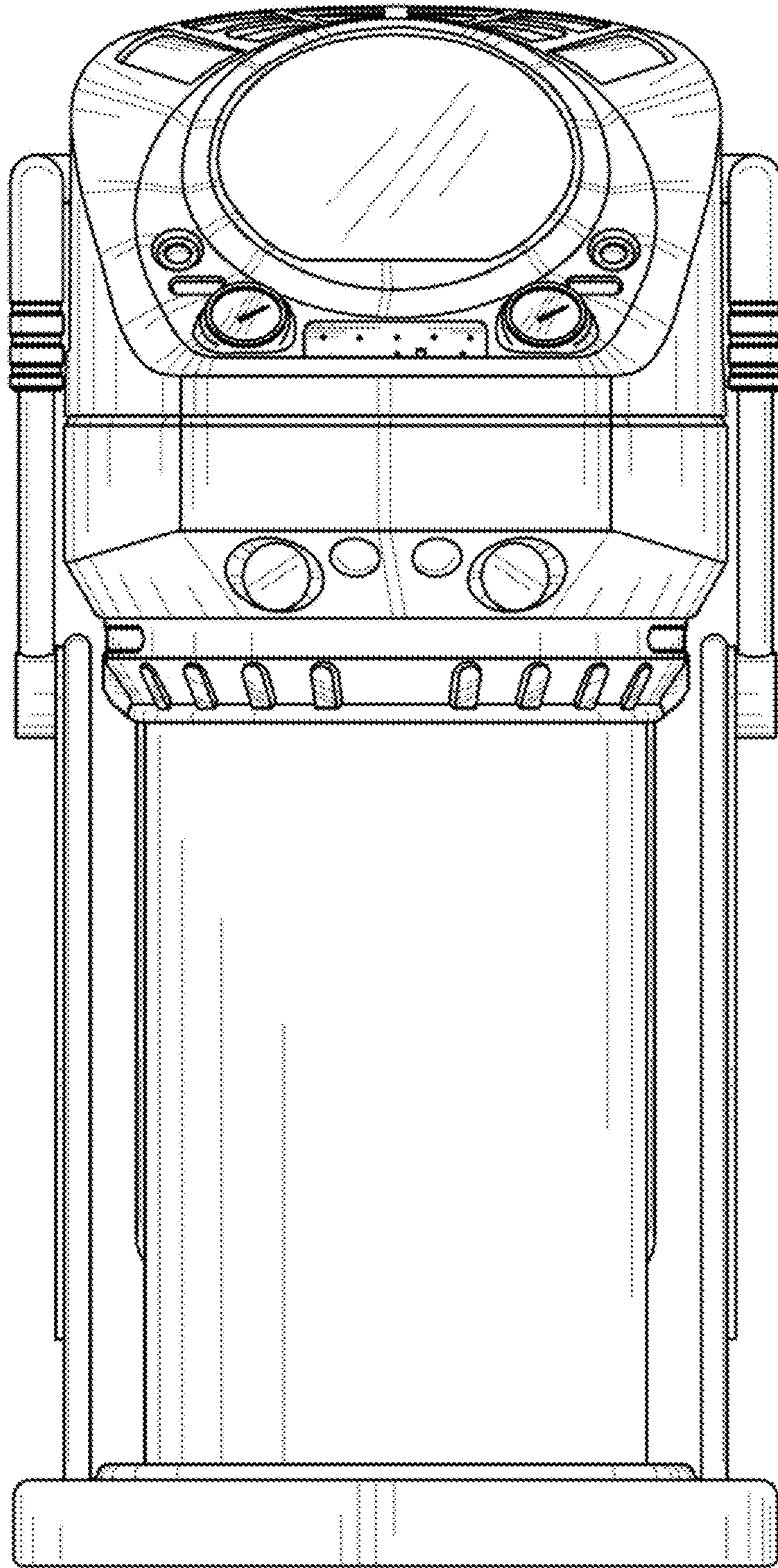


FIG. 1

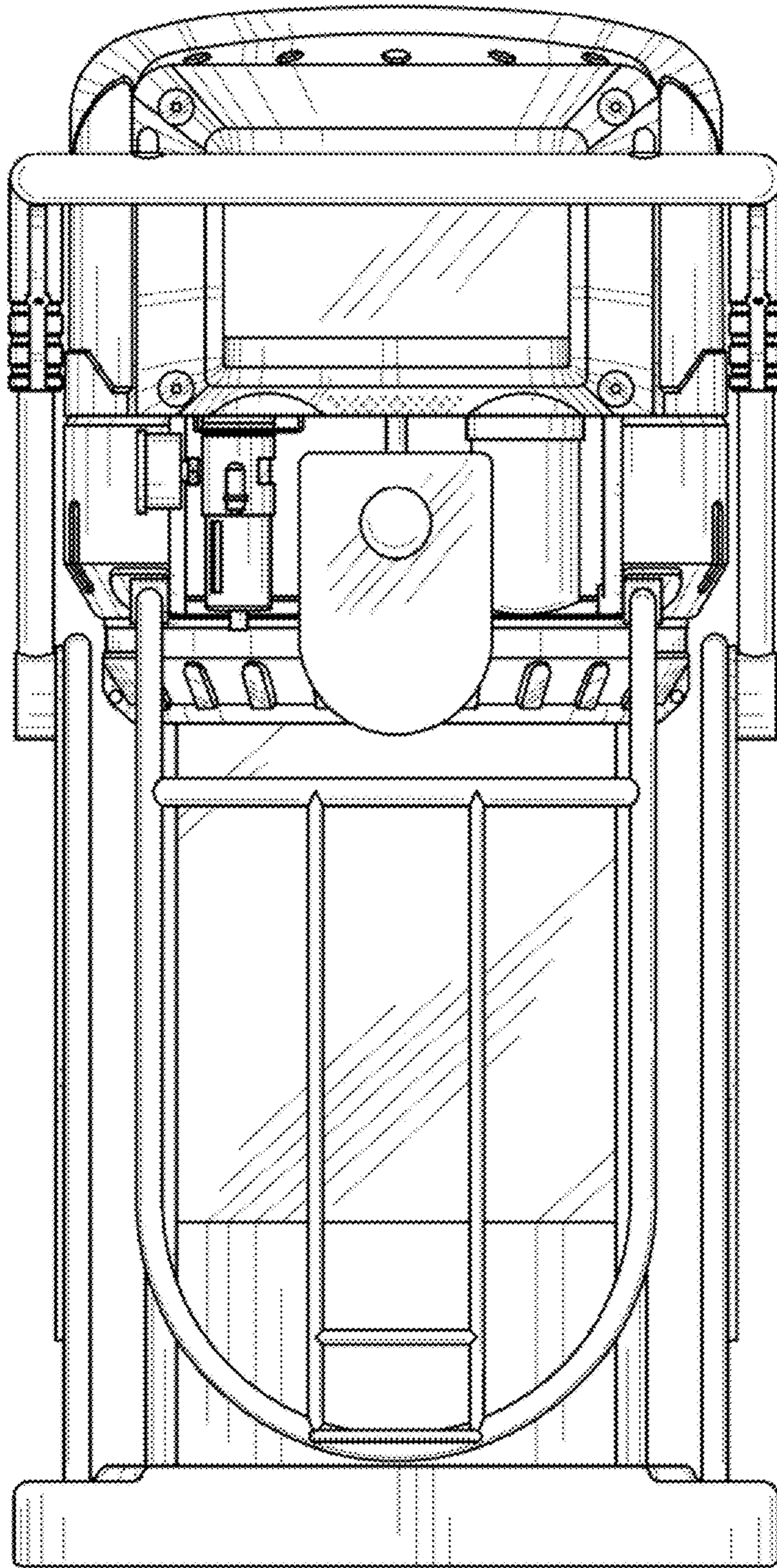


FIG. 2

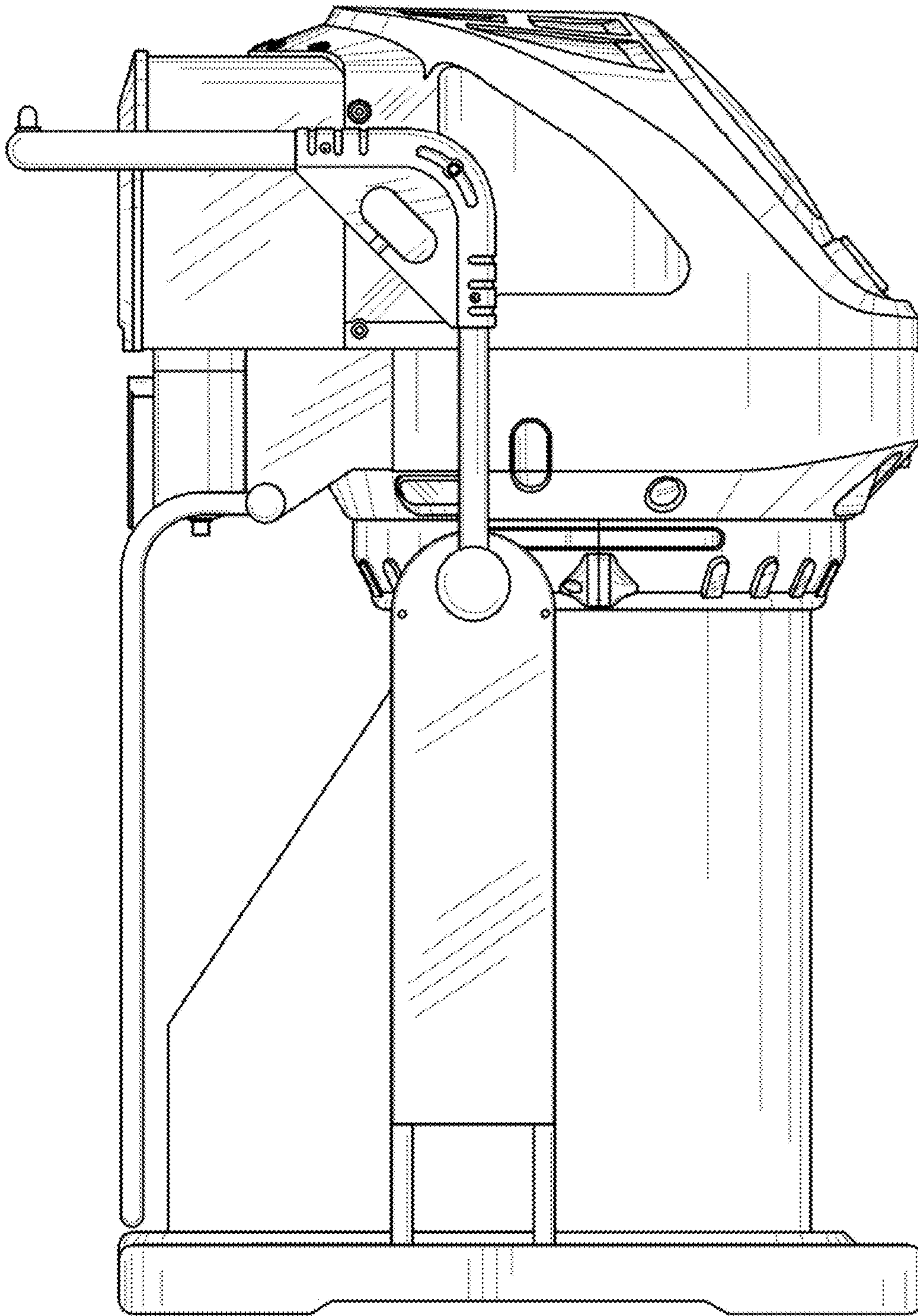


FIG. 3

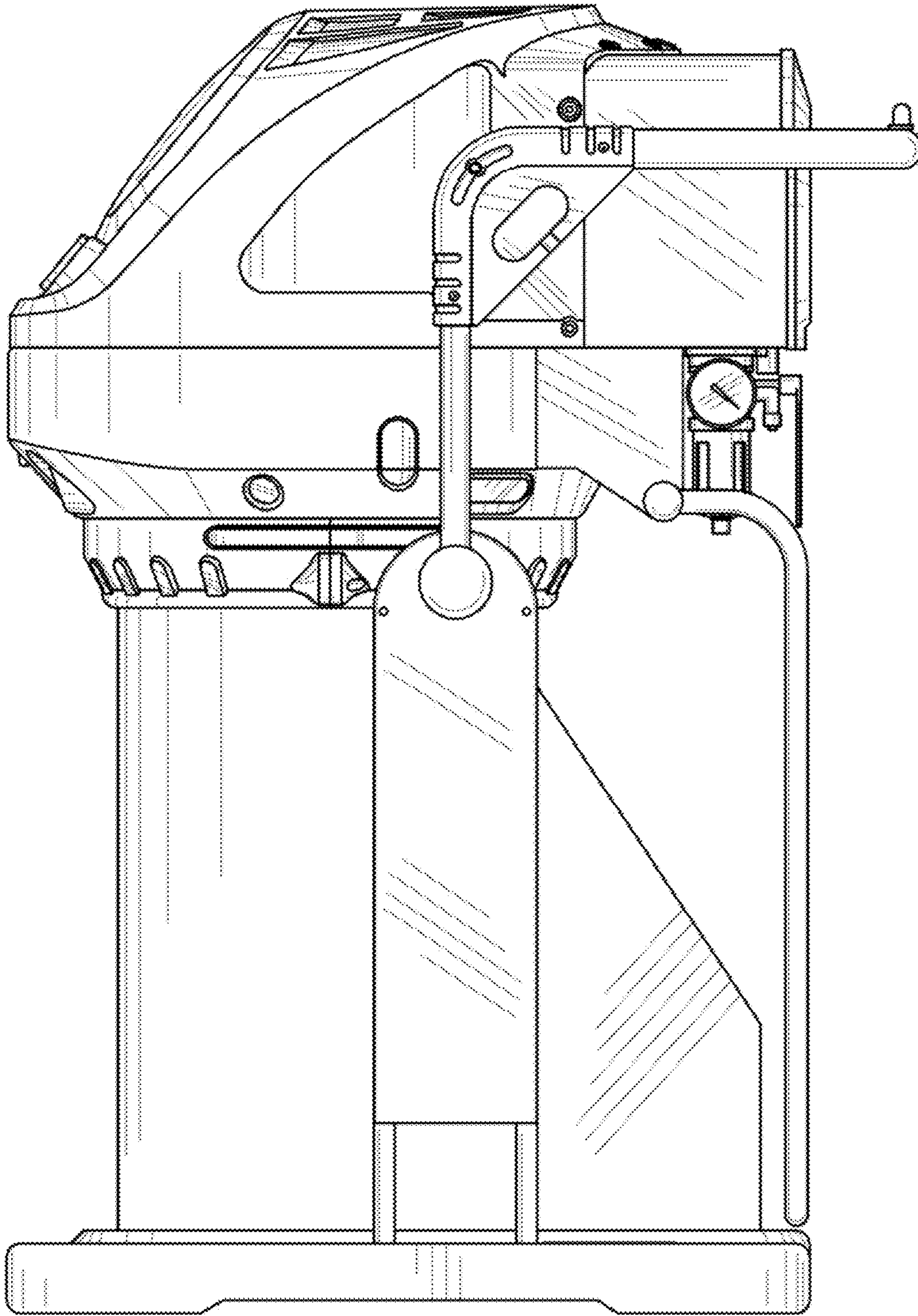


FIG. 4

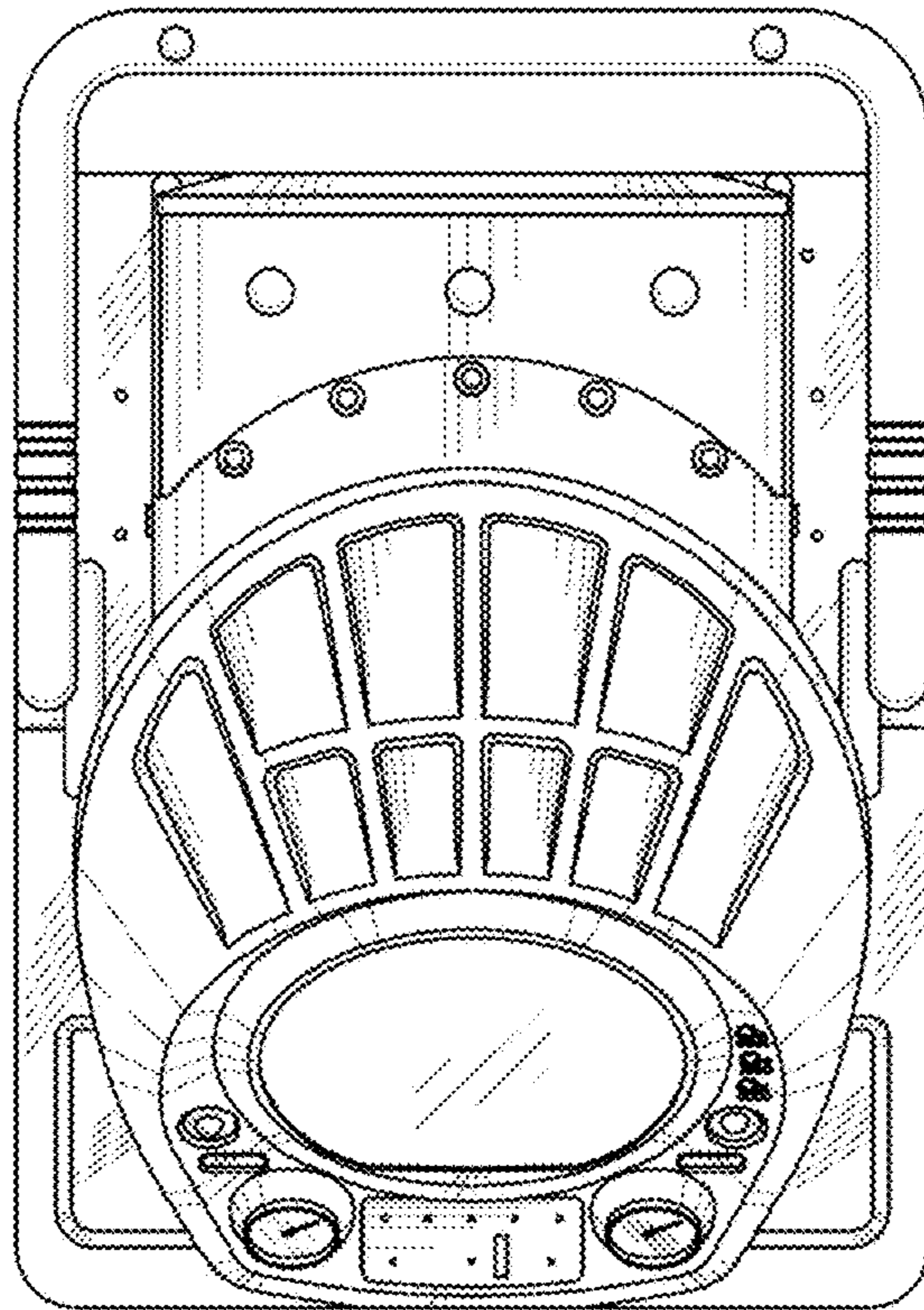


FIG. 5