



US00D791845S

(12) **United States Design Patent**  
**Kim et al.**

(10) **Patent No.:** **US D791,845 S**

(45) **Date of Patent:** **\*\* Jul. 11, 2017**

(54) **DOOR GUARD FOR REFRIGERATOR**

(71) Applicant: **Samsung Electronics Co., Ltd.**,  
Suwon-si (KR)

(72) Inventors: **Aeryun Kim**, Ansan-si (KR); **Seon-Ju Lee**, Seoul (KR); **Jaemin Lee**, Incheon (KR); **Junhyeok Choi**, Seongnam-si (KR)

(73) Assignee: **Samsung Electronics Co., Ltd.**,  
Suwon-si (KR)

(\*\*) Term: **15 Years**

(21) Appl. No.: **29/557,712**

(22) Filed: **Mar. 11, 2016**

(30) **Foreign Application Priority Data**

Sep. 22, 2015 (KR) ..... 30-2015-0048242

(51) **LOC (10) Cl.** ..... **15-07**

(52) **U.S. Cl.**  
USPC ..... **D15/89**

(58) **Field of Classification Search**  
USPC ..... D15/79-91  
CPC ..... F25D 11/00; F25D 11/02; F25D 13/00;  
F25D 19/00; F25D 21/00; F25D 23/00;  
F25D 2321/1441; F25D 2325/021; F25D  
2325/022; F25D 2325/023  
See application file for complete search history.

(56) **References Cited**

**U.S. PATENT DOCUMENTS**

D344,739 S \* 3/1994 Edman ..... D15/89  
D603,883 S \* 11/2009 Placke ..... D15/89  
D707,267 S \* 6/2014 Choi ..... D15/89  
D709,531 S \* 7/2014 Park ..... D15/89  
D709,926 S \* 7/2014 Park ..... D15/89  
D709,927 S \* 7/2014 Park ..... D15/89  
D709,928 S \* 7/2014 Park ..... D15/89

D710,404 S \* 8/2014 Park ..... D15/89  
D710,406 S \* 8/2014 Seo ..... D15/89  
D714,840 S \* 10/2014 Yang ..... D15/89  
D733,770 S \* 7/2015 Park ..... D15/89  
D734,785 S 7/2015 Lee et al.  
D744,548 S \* 12/2015 Shin ..... D15/89  
D745,068 S \* 12/2015 Jeon ..... D15/89  
D745,581 S \* 12/2015 Jeon ..... D15/89  
D747,373 S \* 1/2016 Lee ..... D15/89  
D751,318 S \* 3/2016 Kraemer ..... D6/525  
D754,218 S \* 4/2016 Jeon ..... D15/89  
D759,734 S \* 6/2016 Lee ..... D15/89  
D766,345 S \* 9/2016 Lee ..... D15/89

**FOREIGN PATENT DOCUMENTS**

EM 001375182-0005 10/2013  
KR 30-2011-0034699 9/2012

\* cited by examiner

*Primary Examiner* — Ian Simmons

*Assistant Examiner* — Khawaja Anwar

(74) *Attorney, Agent, or Firm* — NSIP Law

(57) **CLAIM**

We claim the ornamental design for a door guard for refrigerator, as shown and described.

**DESCRIPTION**

FIG. 1 is a front perspective view of a door guard for refrigerator showing our new design;  
FIG. 2 is a front view thereof;  
FIG. 3 is a rear view thereof;  
FIG. 4 is a left-side view thereof;  
FIG. 5 is a right-side view thereof;  
FIG. 6 is a top view thereof;  
FIG. 7 is a bottom view thereof; and,  
FIG. 8 is a rear perspective view of the door guard for refrigerator shown in an alternate position.  
The broken lines in the figures depict environmental subject matter and form no part of the claimed design.

**1 Claim, 6 Drawing Sheets**

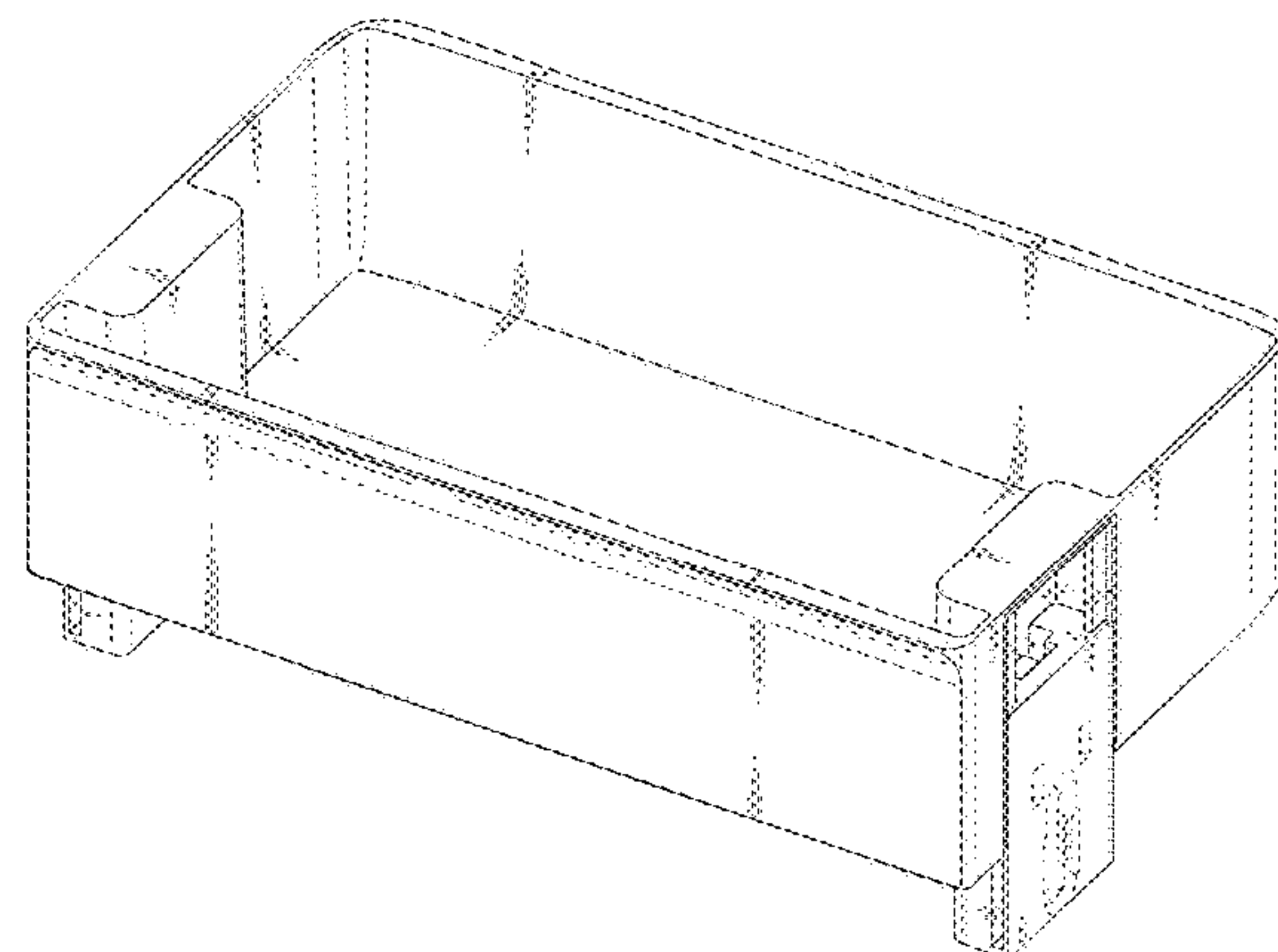
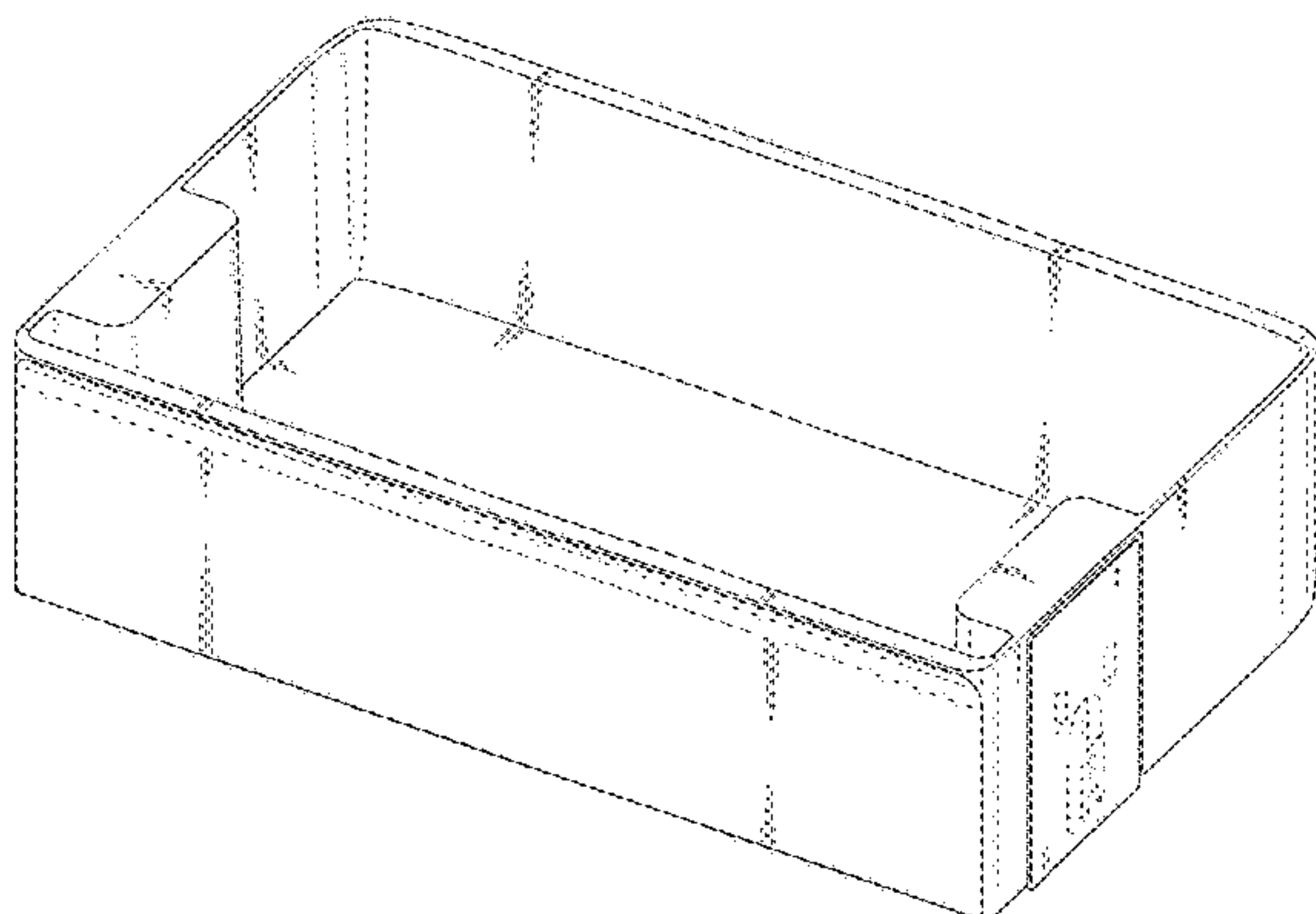


FIG. 1

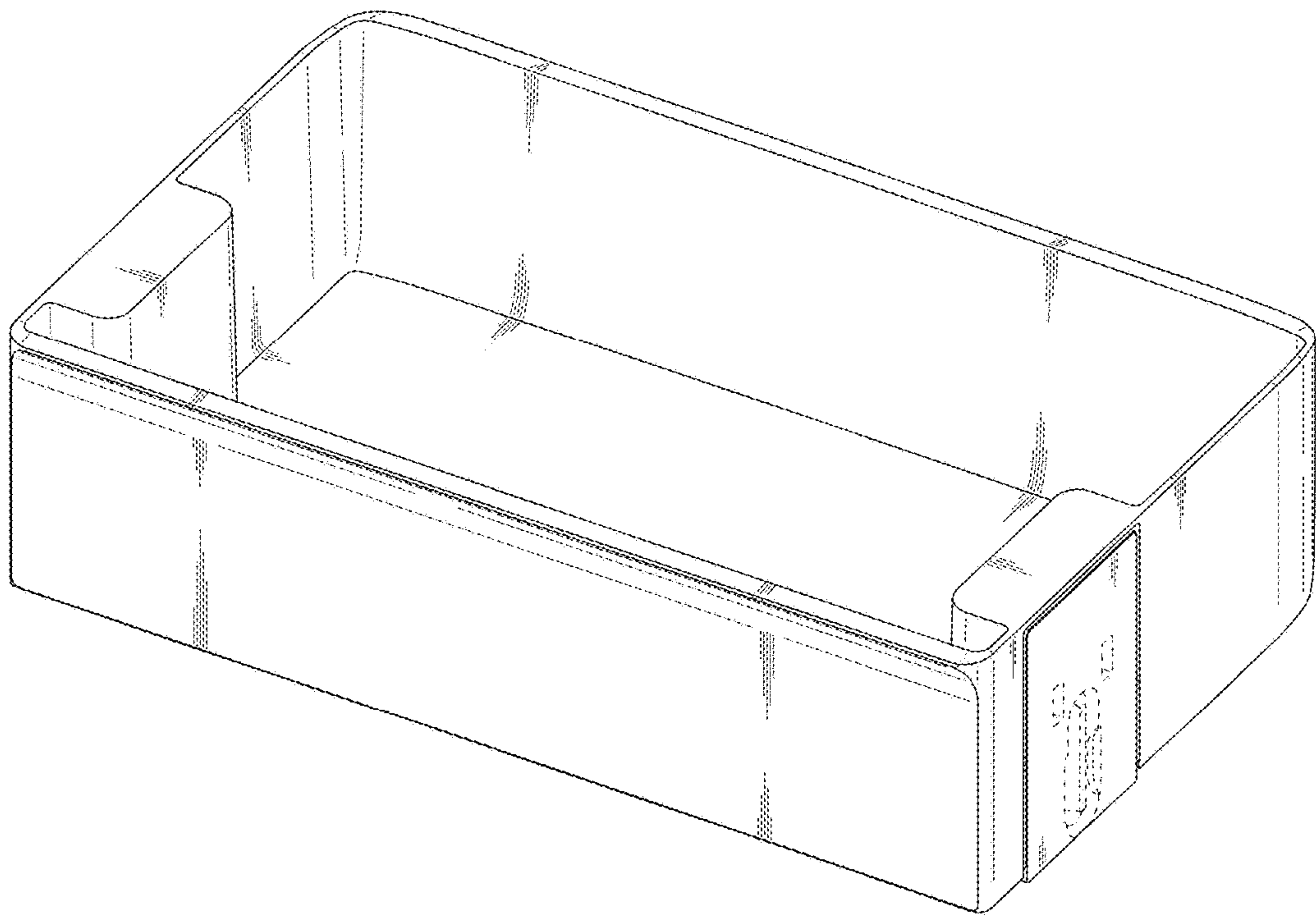


FIG. 2

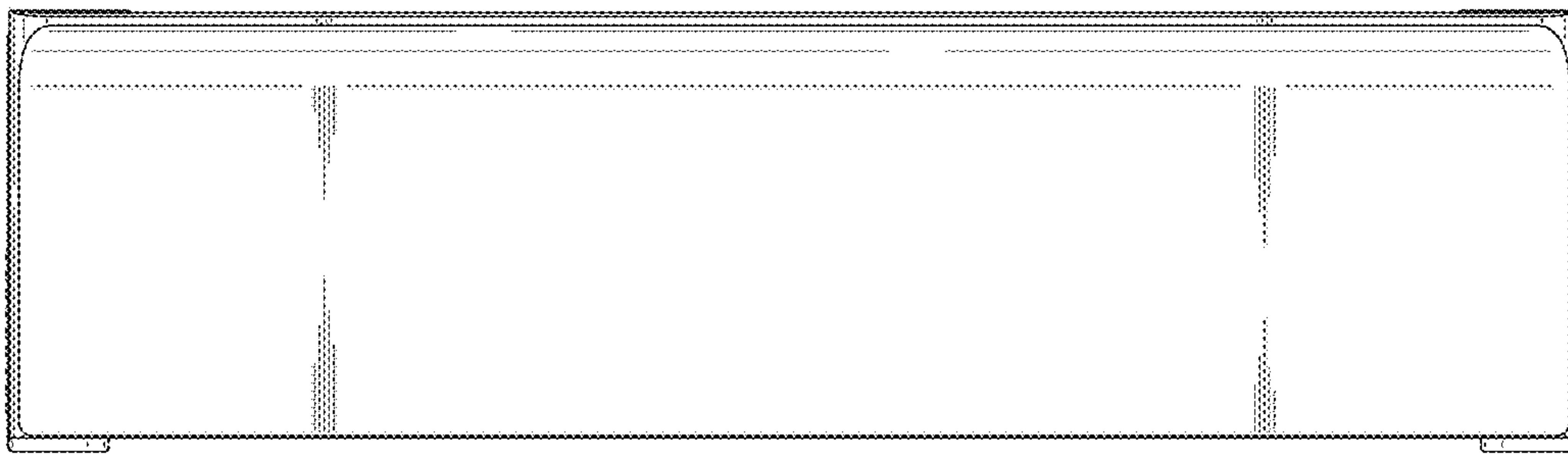


FIG. 3

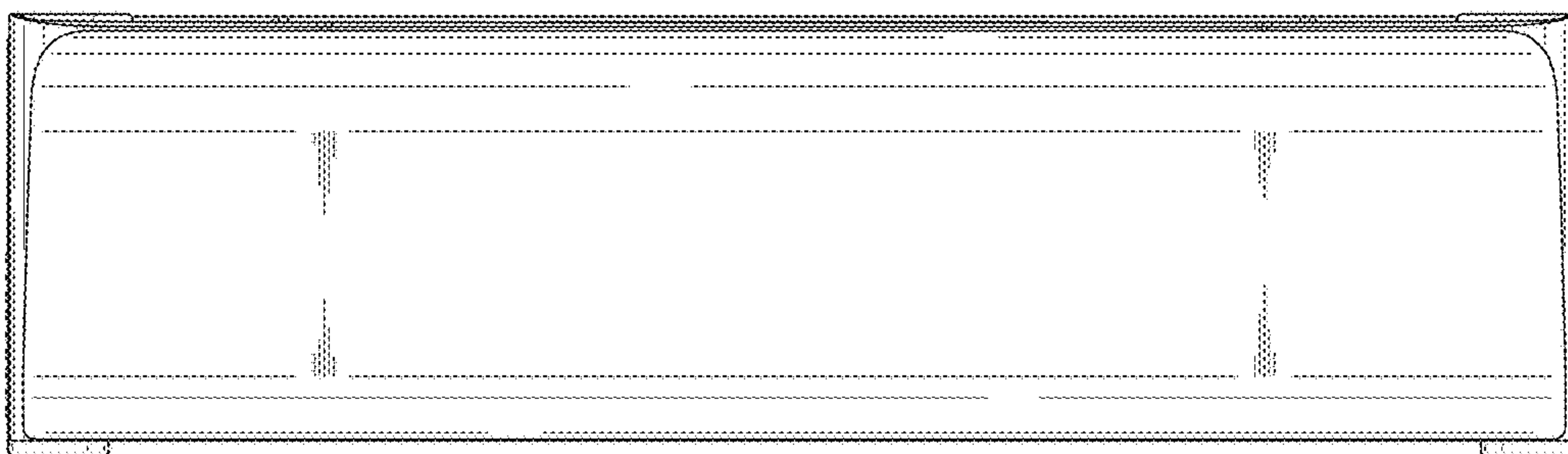


FIG. 4

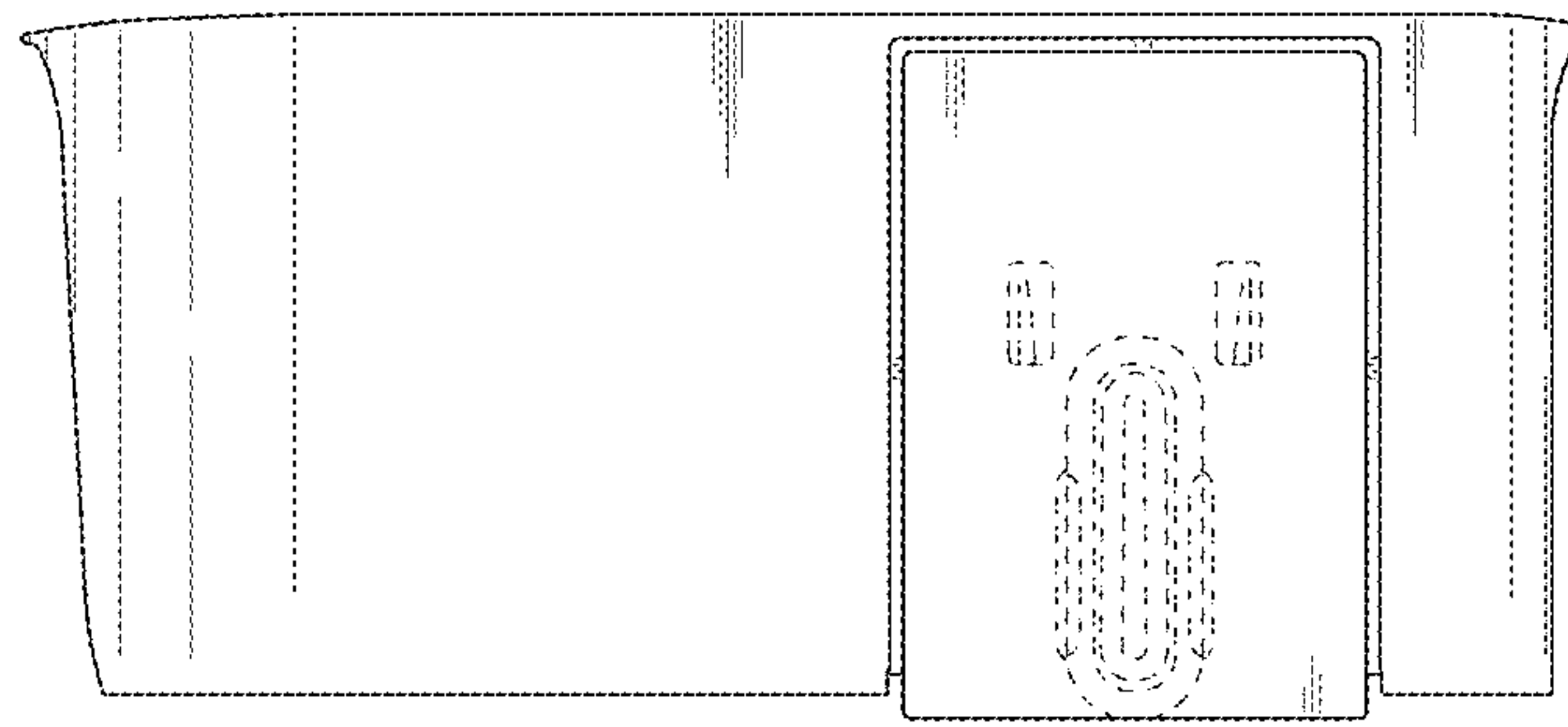


FIG. 5

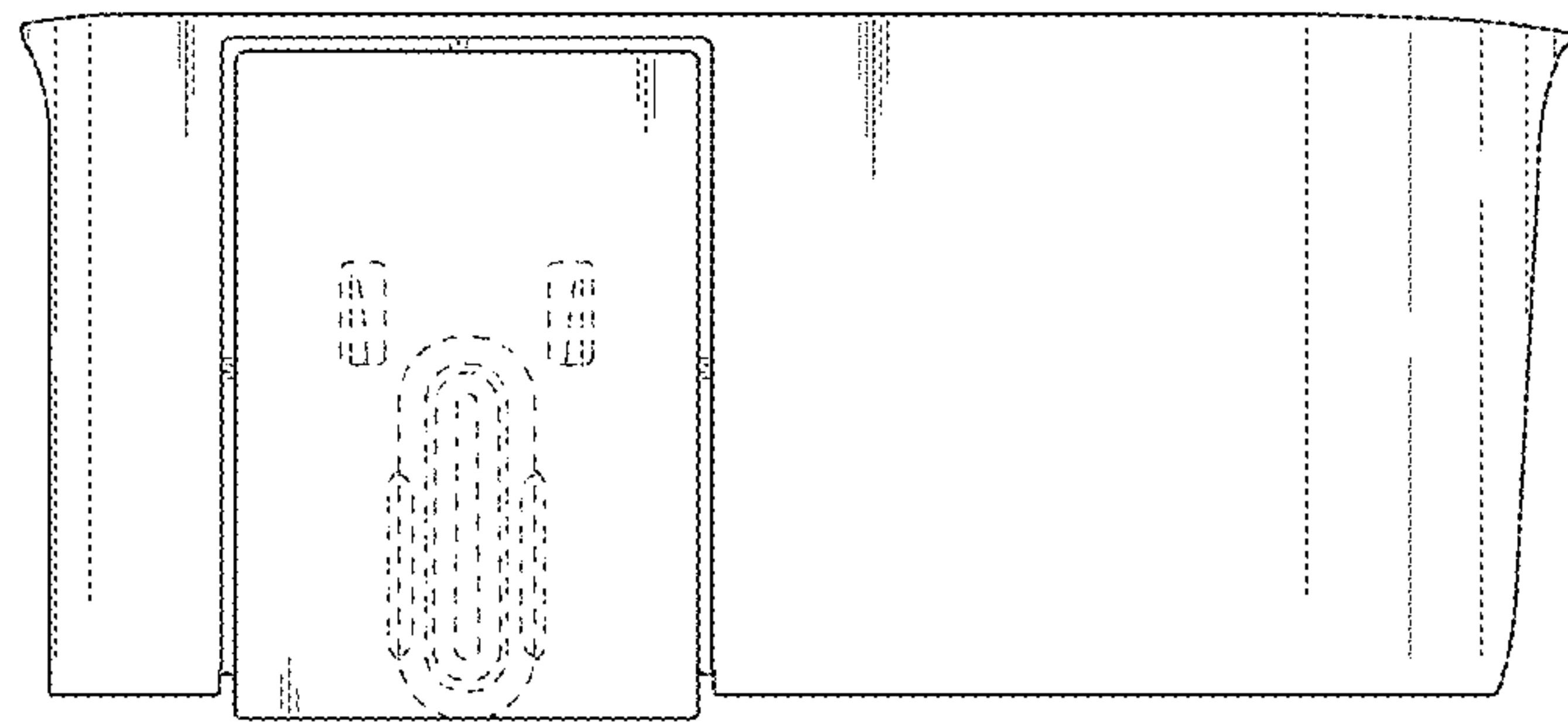


FIG. 6

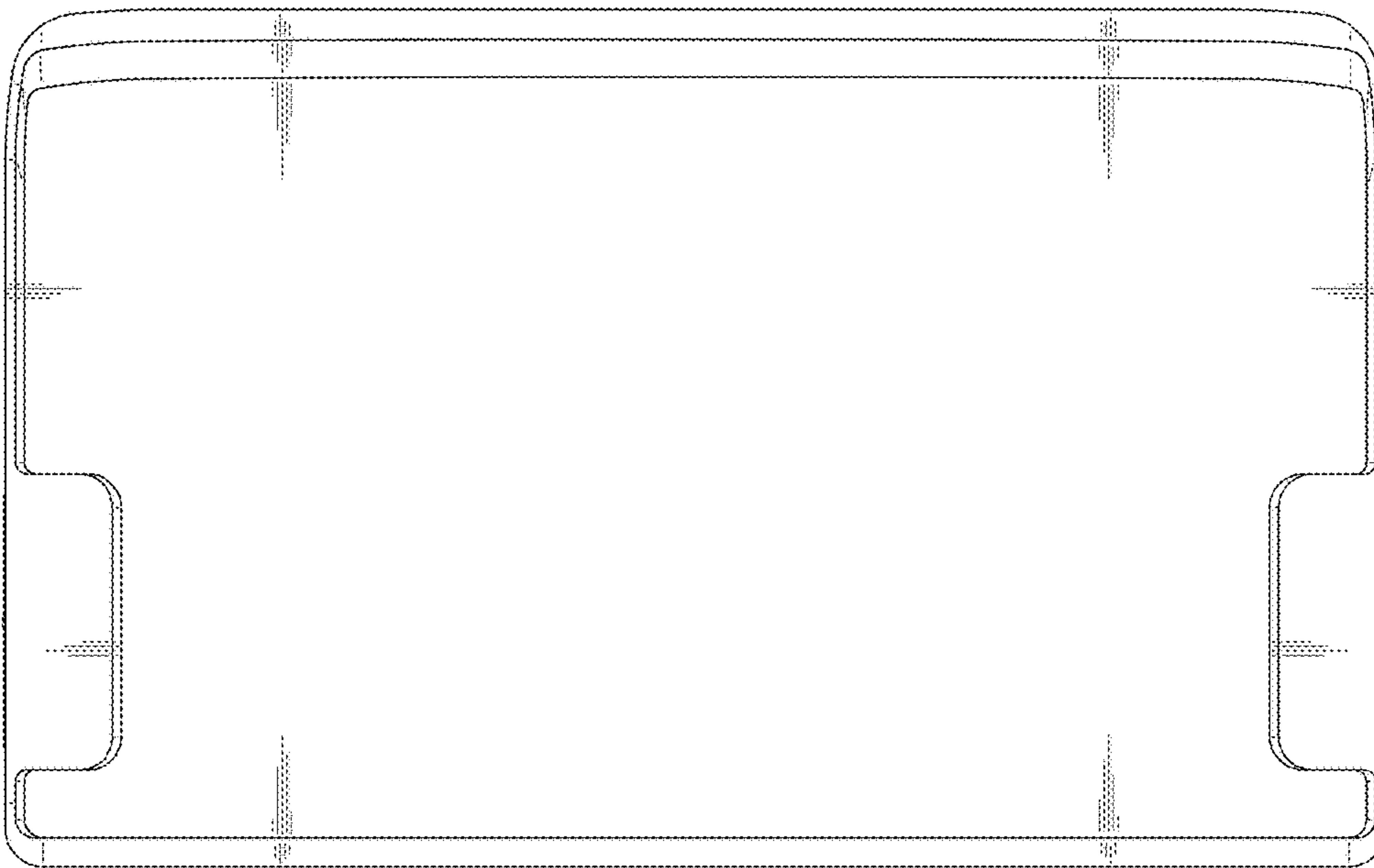


FIG. 7

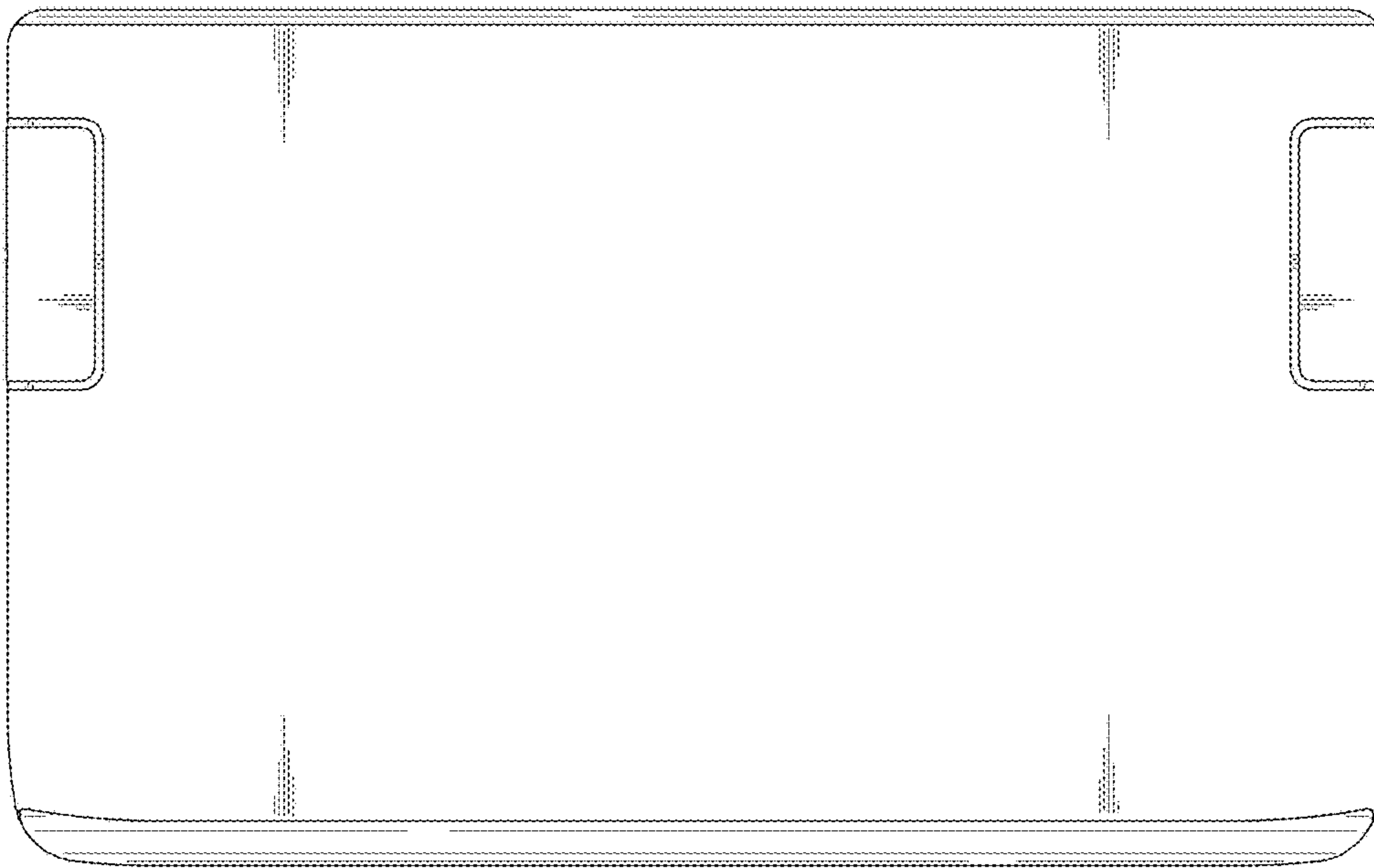




FIG. 8

