



US00D791844S

(12) **United States Design Patent** (10) **Patent No.:** **US D791,844 S**
Kunz (45) **Date of Patent:** **** Jul. 11, 2017**

(54) **WING SHROUD FOR GROUND ENGAGING MACHINE IMPLEMENT**

FOREIGN PATENT DOCUMENTS

WO 2007/016719 A1 2/2007
WO 2013/067585 A1 5/2013

(71) Applicant: **Caterpillar Inc.**, Peoria, IL (US)

(72) Inventor: **Phillip J. Kunz**, Morton, IL (US)

(73) Assignee: **Caterpillar Inc.**, Peoria, IL (US)

(**) Term: **15 Years**

(21) Appl. No.: **29/573,912**

(22) Filed: **Aug. 10, 2016**

OTHER PUBLICATIONS

U.S. Appl. No. 29/524,183, filed Apr. 17, 2015. (Unpublished).
(Continued)

Primary Examiner — Mark Goodwin

(74) *Attorney, Agent, or Firm* — Saidman Design Law Group

Related U.S. Application Data

(63) Continuation of application No. 29/524,178, filed on Apr. 17, 2015, now Pat. No. Des. 766,994.

(51) **LOC (10) Cl.** **15-03**

(52) **U.S. Cl.**
USPC **D15/32; D15/28**

(58) **Field of Classification Search**
USPC D15/11, 21, 28, 29, 32; 172/172, 701.2, 172/701.3, 713, 719, 772.5, 770, 771; 37/444, 446, 449, 452-456, 448, 903
CPC E02F 9/2833; E02F 9/2825; E02F 9/2883; E02F 9/2841; E02F 9/28; E02F 3/40; E21C 35/183; Y10Y 403/7069; Y10Y 403/7018; Y10Y 403/587
See application file for complete search history.

(56) **References Cited**

U.S. PATENT DOCUMENTS

D242,162 S 11/1976 Dahlberg et al.
D242,274 S 11/1976 Dahlberg et al.
4,047,312 A 9/1977 Stepe
D246,176 S 10/1977 Dahlberg et al.
5,088,214 A 2/1992 Jones
D378,006 S 2/1997 Clendenning

(Continued)

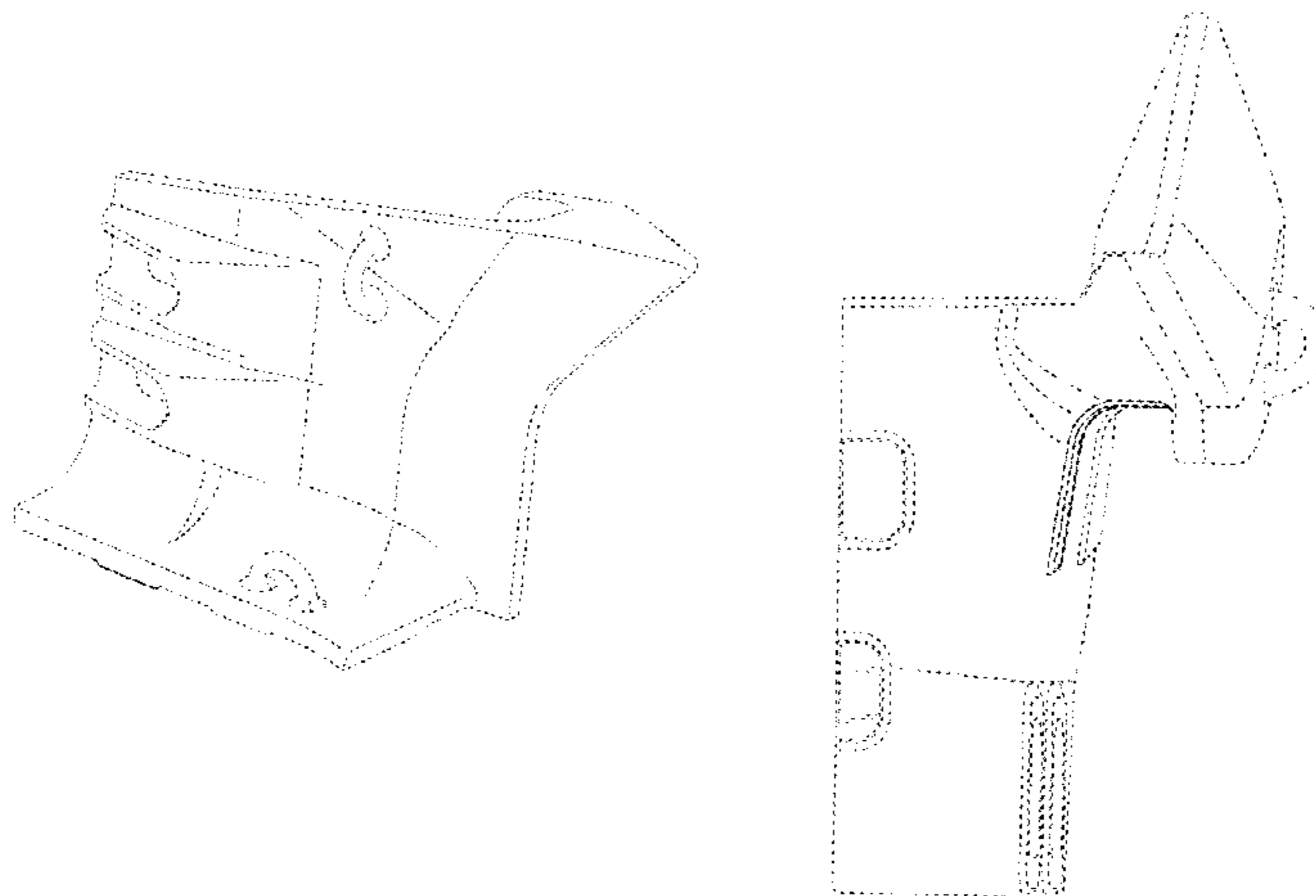
(57) **CLAIM**

The ornamental design for wing shroud for ground engaging machine implement, as shown and described.

DESCRIPTION

FIG. 1 is a front perspective view of a wing shroud for ground engaging machine implement showing my new design;
FIG. 2 is another front perspective view thereof;
FIG. 3 is front view thereof;
FIG. 4 is a rear view thereof;
FIG. 5 is a left side view thereof;
FIG. 6 is a right side view thereof;
FIG. 7 is a top view thereof;
FIG. 8 is a bottom view thereof;
FIG. 9 is a front perspective view of a second embodiment thereof;
FIG. 10 is another front perspective view thereof;
FIG. 11 is front view thereof;
FIG. 12 is a rear view thereof;
FIG. 13 is a left side view thereof;
FIG. 14 is a right side view thereof;
FIG. 15 is a top view thereof; and,
FIG. 16 is a bottom view thereof.
The dashed broken lines illustrate structure or features that form no part of the claimed design.

(Continued)



The relatively thin shade lines represent contour, not surface ornamentation.

1 Claim, 8 Drawing Sheets

(56)

References Cited

U.S. PATENT DOCUMENTS

D381,484 S	7/1997	Clendenning
6,457,269 B1	10/2002	Esterhuysen et al.
6,799,388 B2	10/2004	Weaver et al.
6,993,861 B2	2/2006	Carpenter et al.
7,266,914 B2	9/2007	Grant
D554,157 S	10/2007	Renski
7,275,338 B2	10/2007	LaHood
D567,825 S	4/2008	Clendenning et al.
D567,826 S	4/2008	Clendenning et al.
7,367,144 B2	5/2008	Jones et al.
D643,049 S	8/2011	Nickels et al.
D676,066 S	2/2013	Attwood et al.

D676,067 S	2/2013	Attwood et al.
8,572,870 B2	11/2013	Kudo et al.
D741,918 S	10/2015	Hooijmans
D751,610 S	3/2016	Serrurier et al.
D758,459 S	6/2016	Hooijmans
2003/0024139 A1	2/2003	Jones et al.
2006/0117613 A1	6/2006	Jones et al.
2012/0297649 A1	11/2012	Gomar
2013/0185964 A1	7/2013	Anisy et al.
2013/0318840 A1	12/2013	Ollinger, IV et al.
2014/0082976 A1	3/2014	Vicq et al.
2014/0082977 A1	3/2014	Pilon
2014/0173949 A1	6/2014	Karlsson et al.
2015/0211215 A1	7/2015	Dallard et al.
2015/0247306 A1	9/2015	Kunz

OTHER PUBLICATIONS

U.S. Appl. No. 29/524,172, filed Apr. 17, 2015. (Unpublished).
U.S. Appl. No. 62/148,992, filed Apr. 17, 2015. (Unpublished).
U.S. Appl. No. 62/149,077, filed Apr. 17, 2015. (Unpublished).
U.S. Appl. No. 62/149,161, filed Apr. 17, 2015. (Unpublished).
U.S. Appl. No. 62/149,229, filed Apr. 17, 2015. (Unpublished).

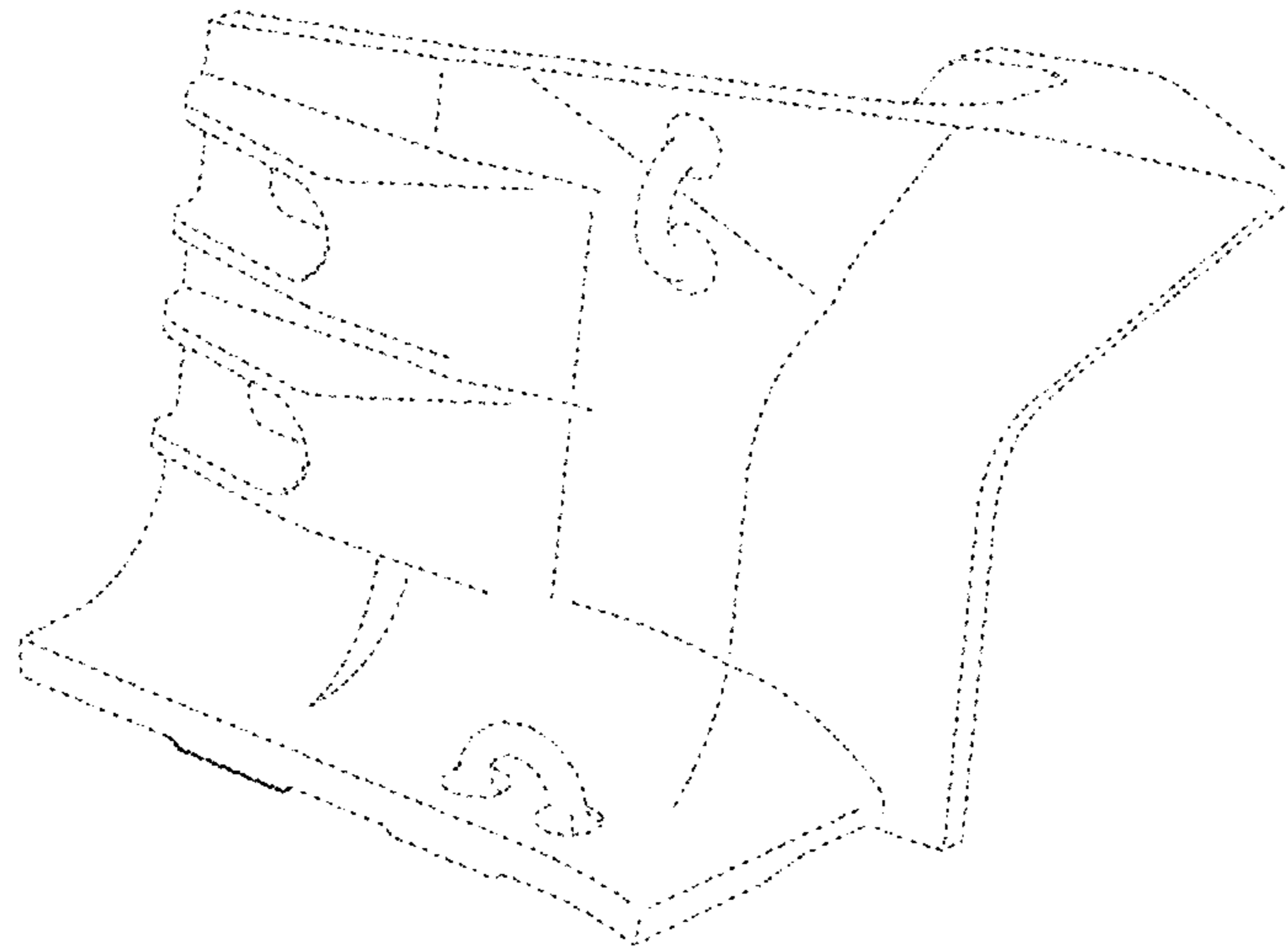


FIG. 1

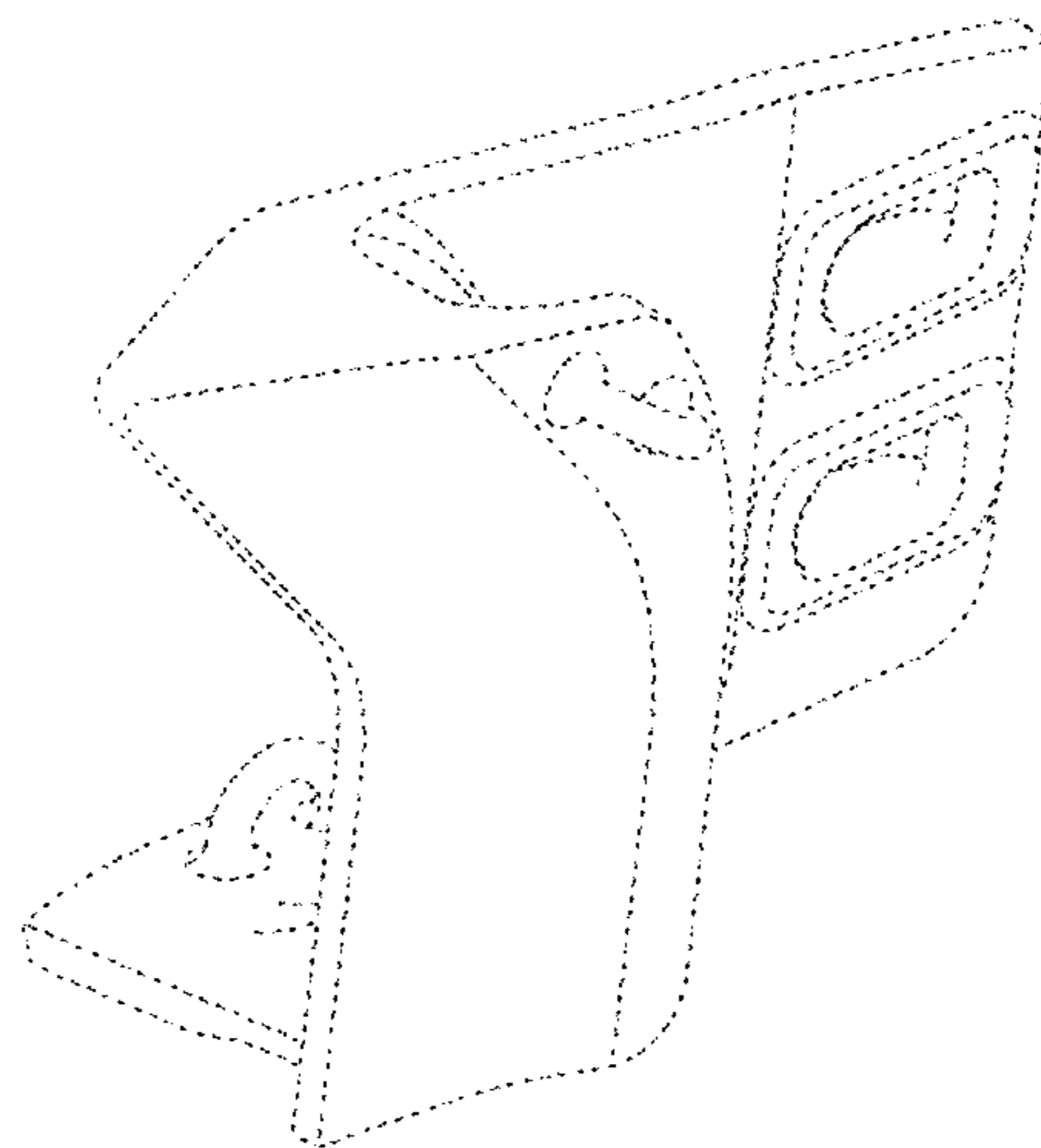


FIG. 2

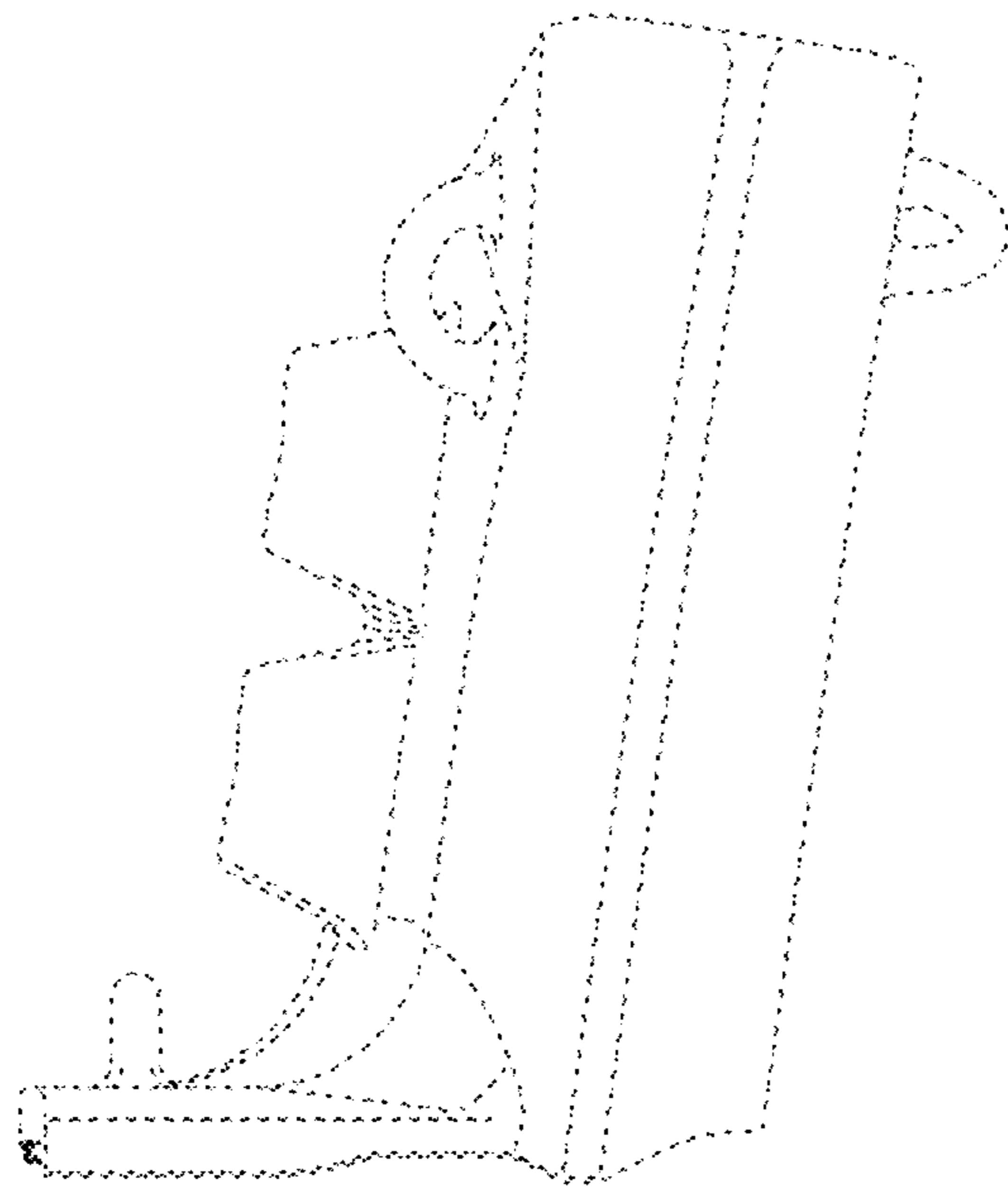


FIG. 3

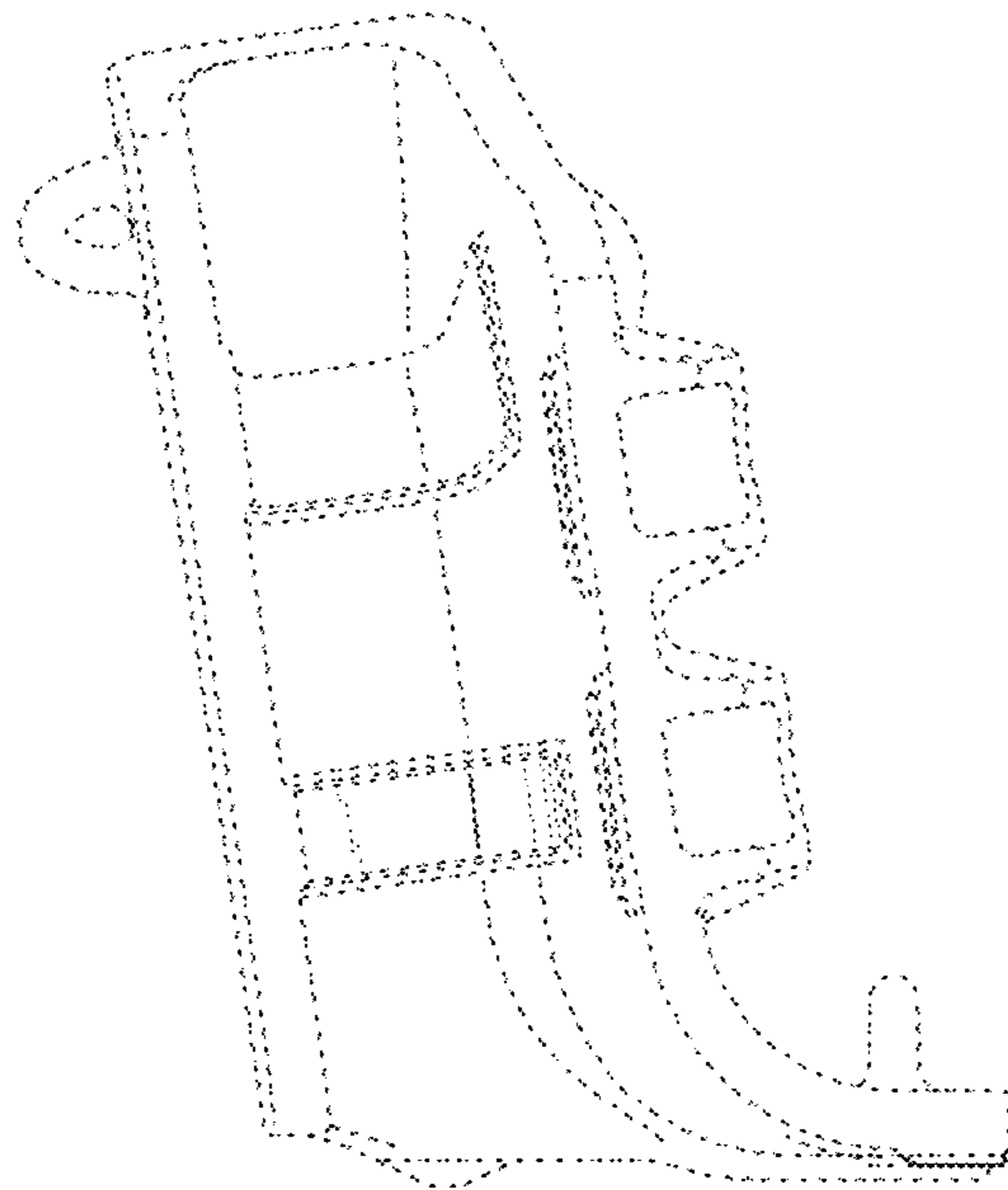


FIG. 4

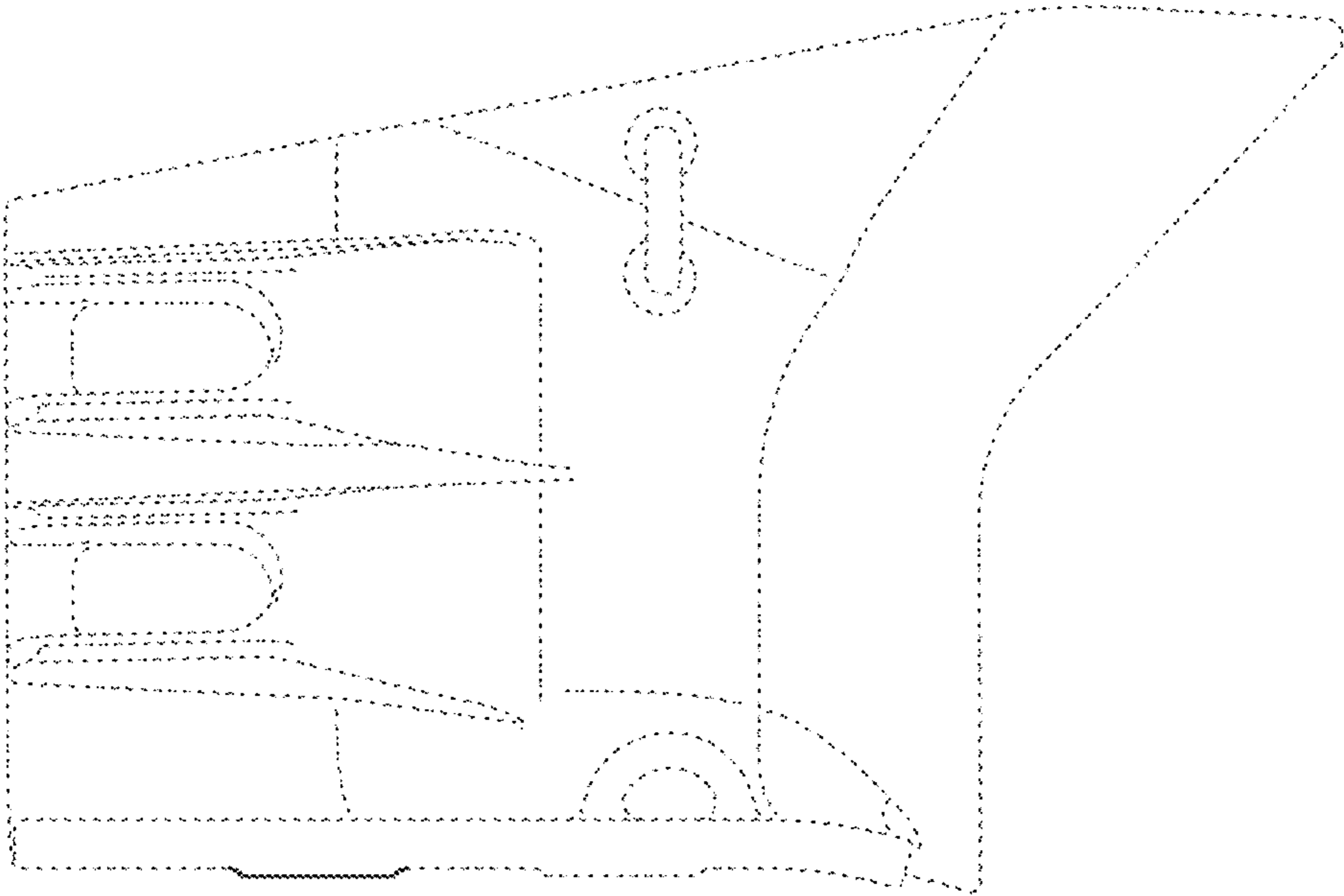


FIG. 5

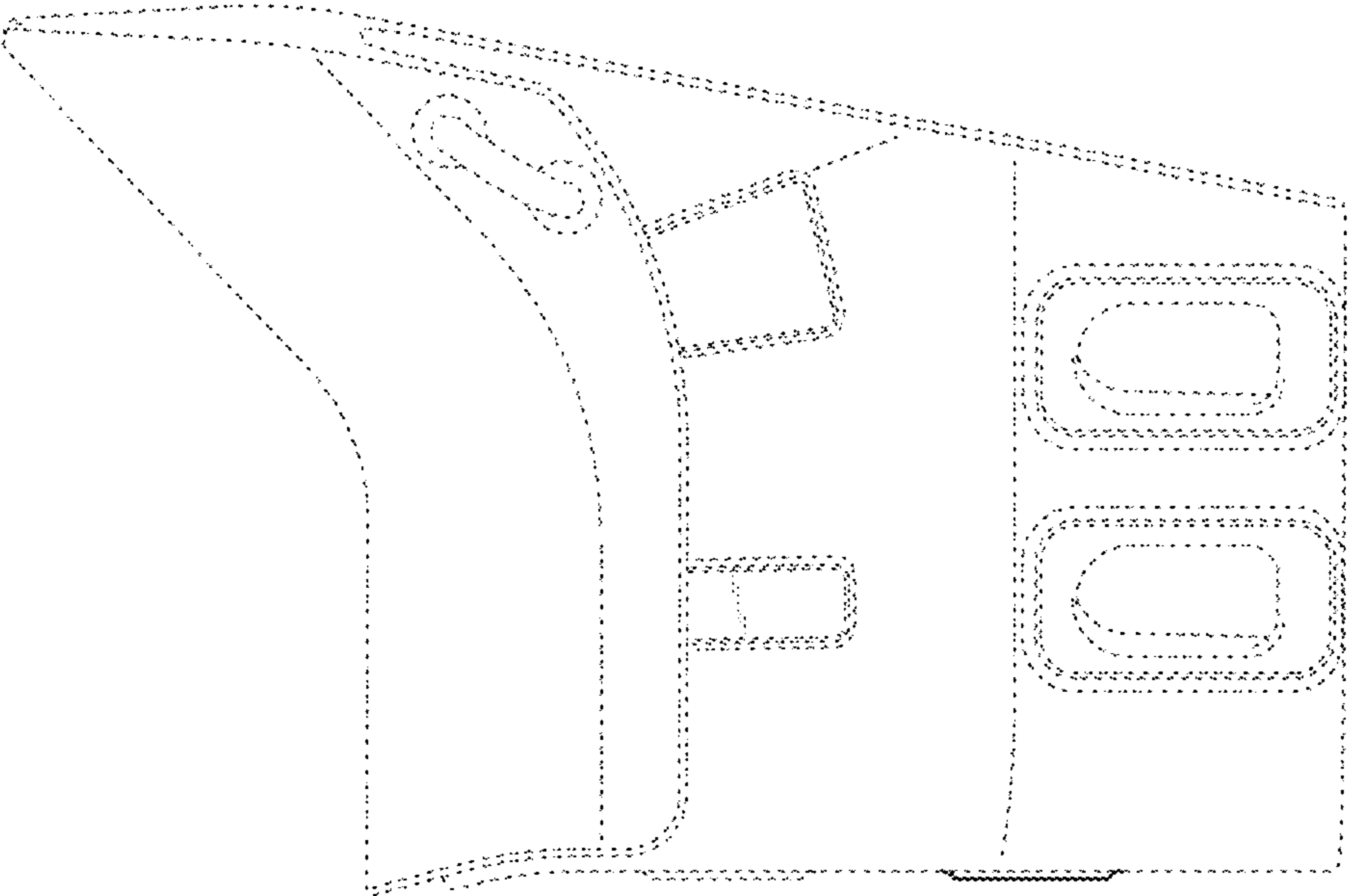


FIG. 6

FIG. 7

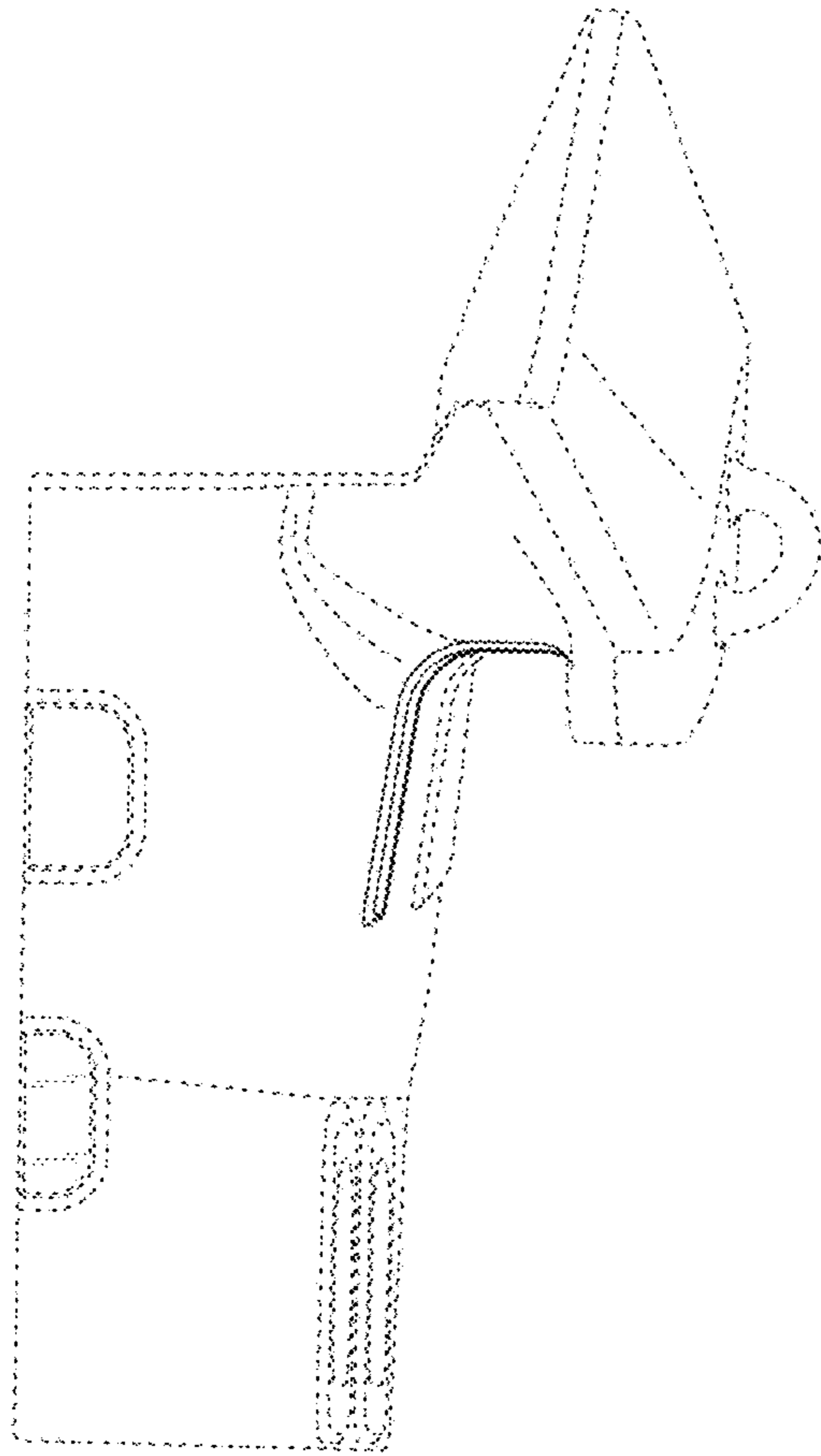
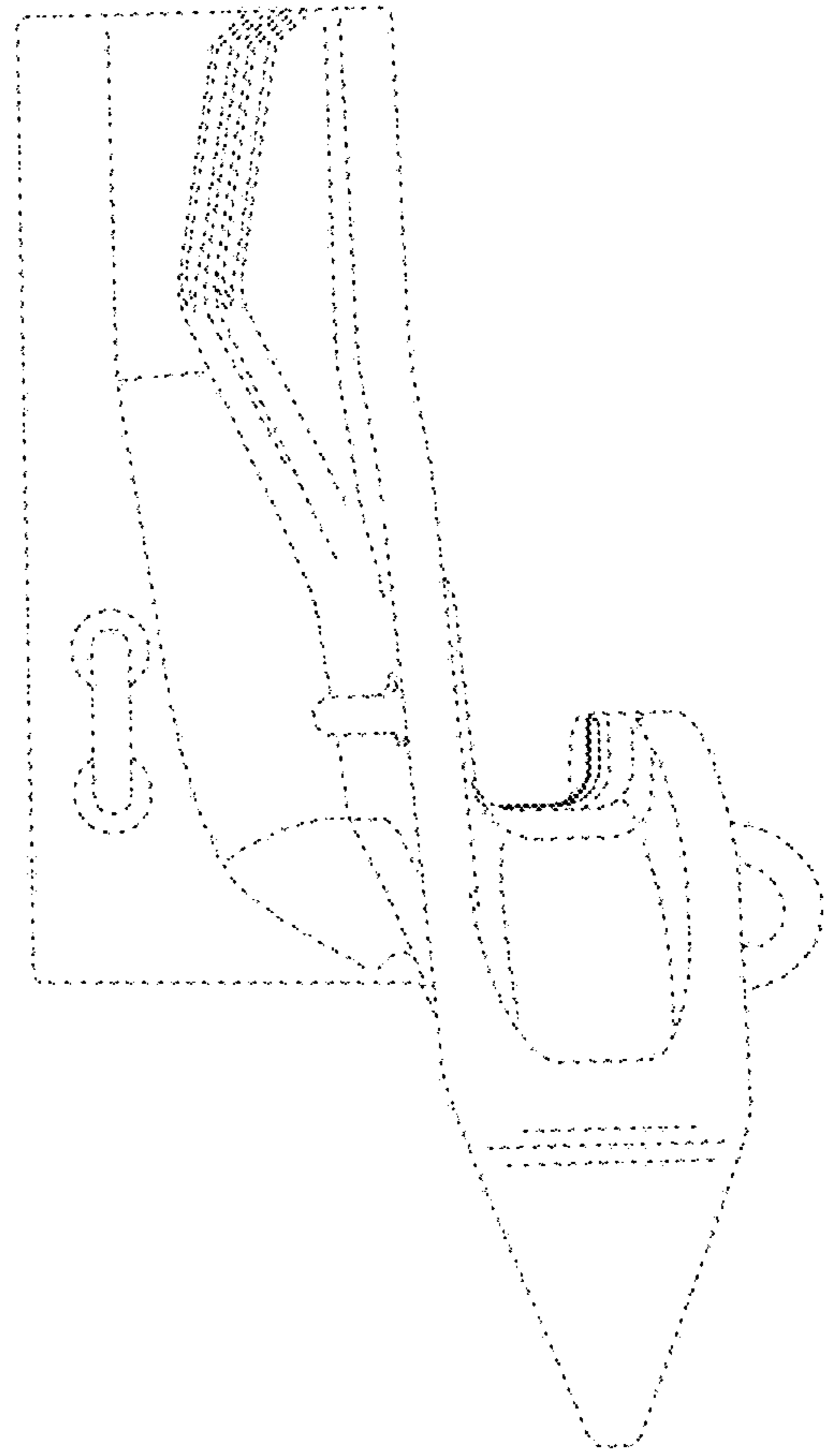


FIG. 8

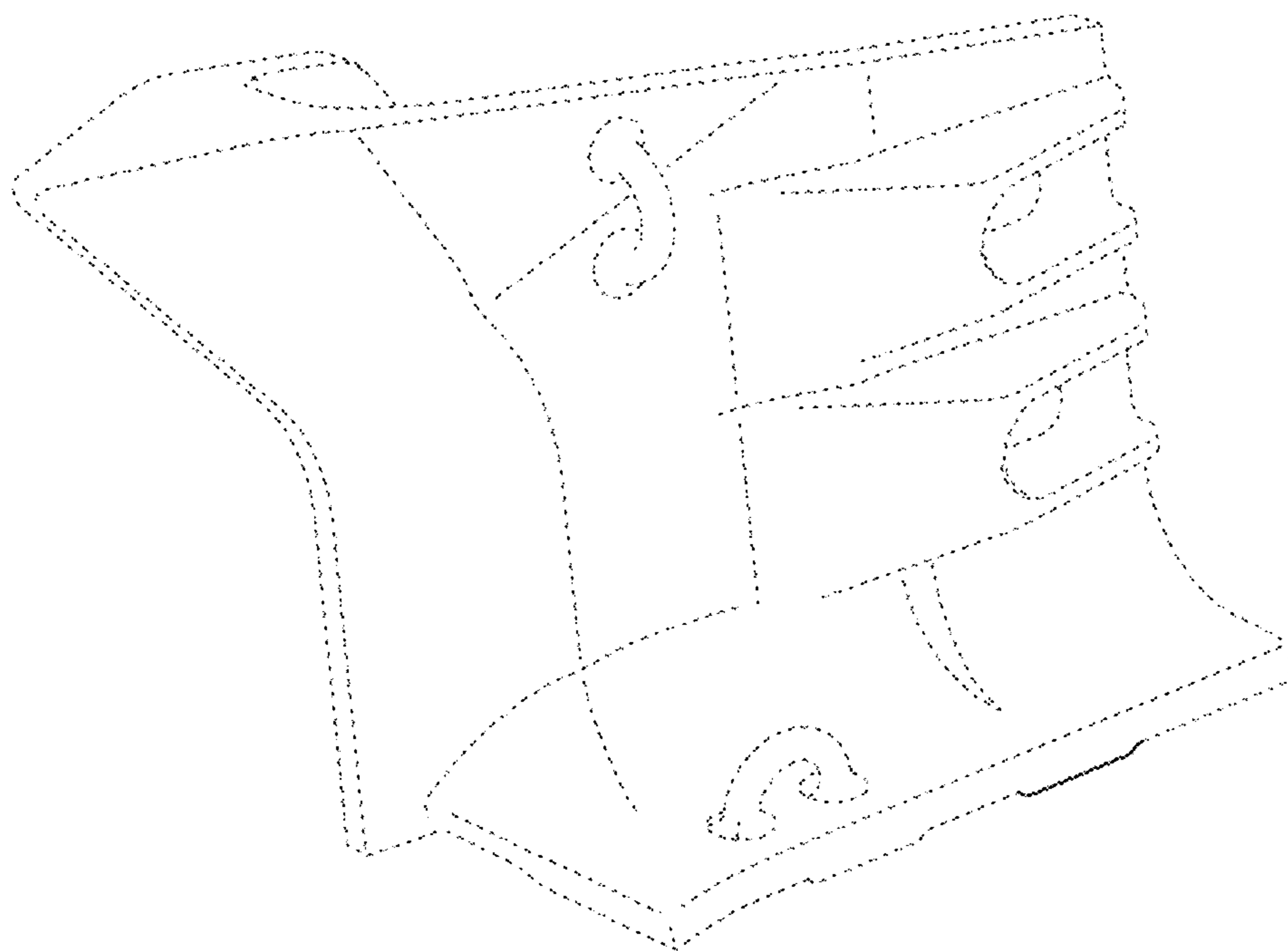


FIG. 9

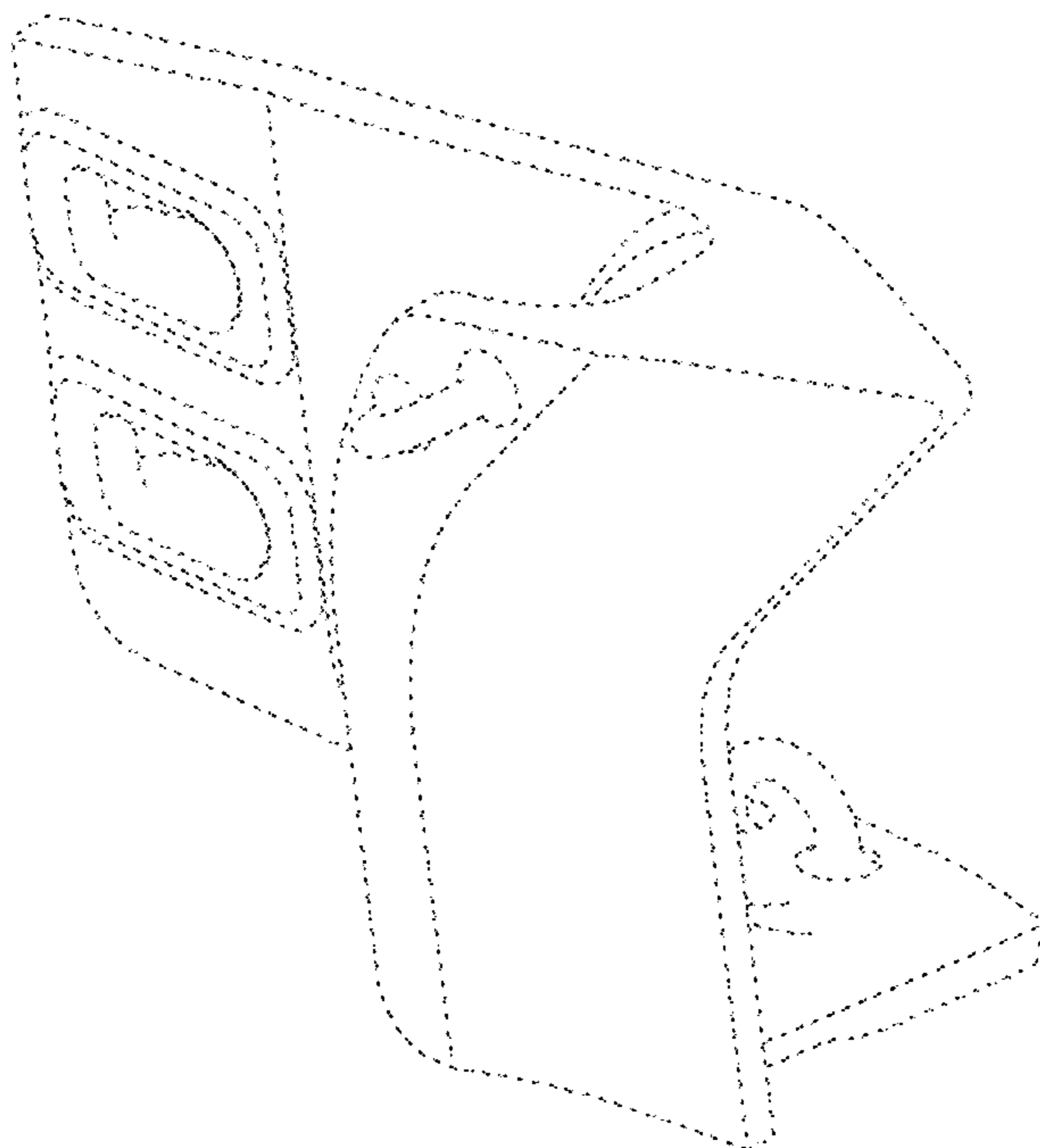


FIG. 10

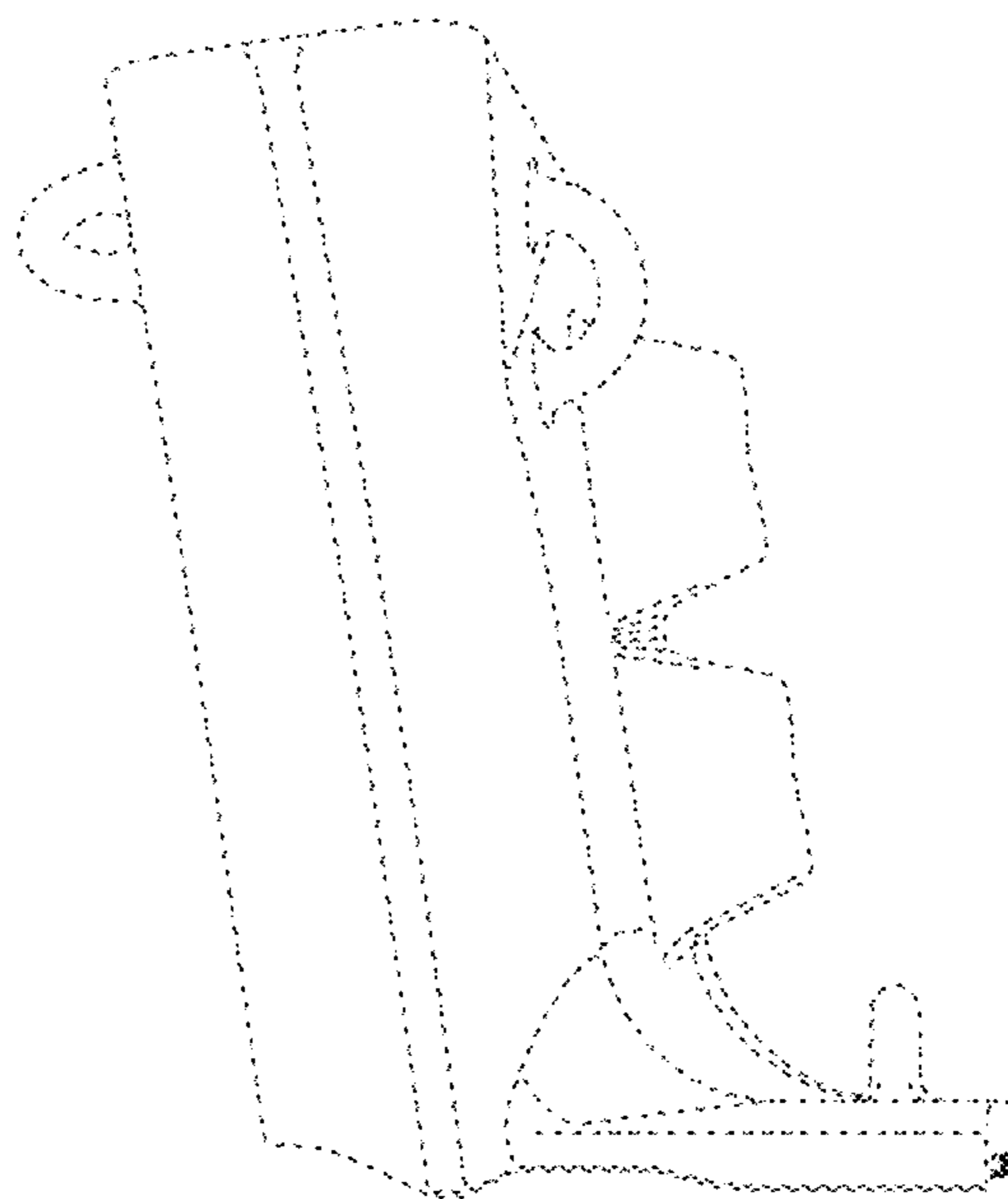


FIG. 11

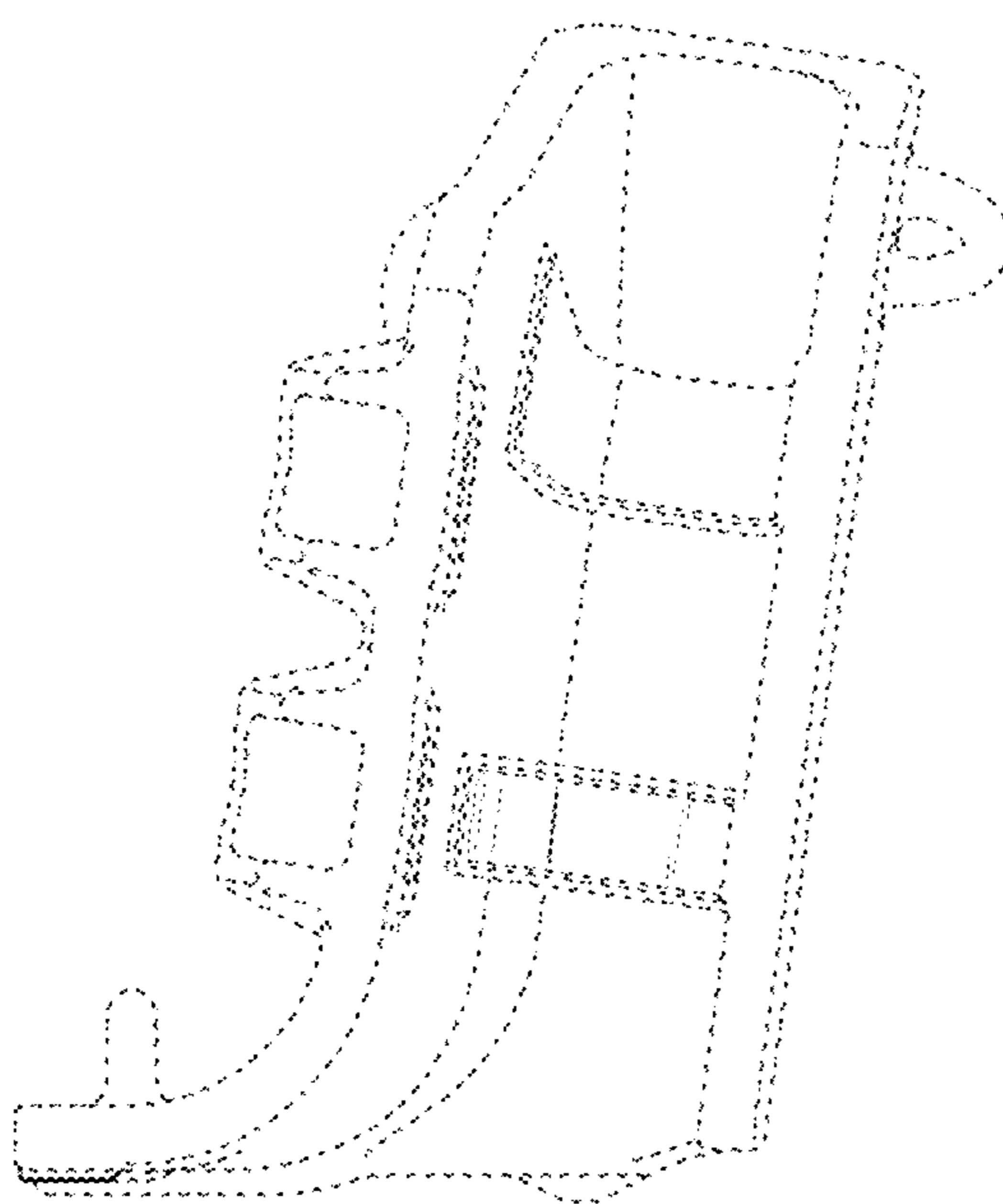


FIG. 12

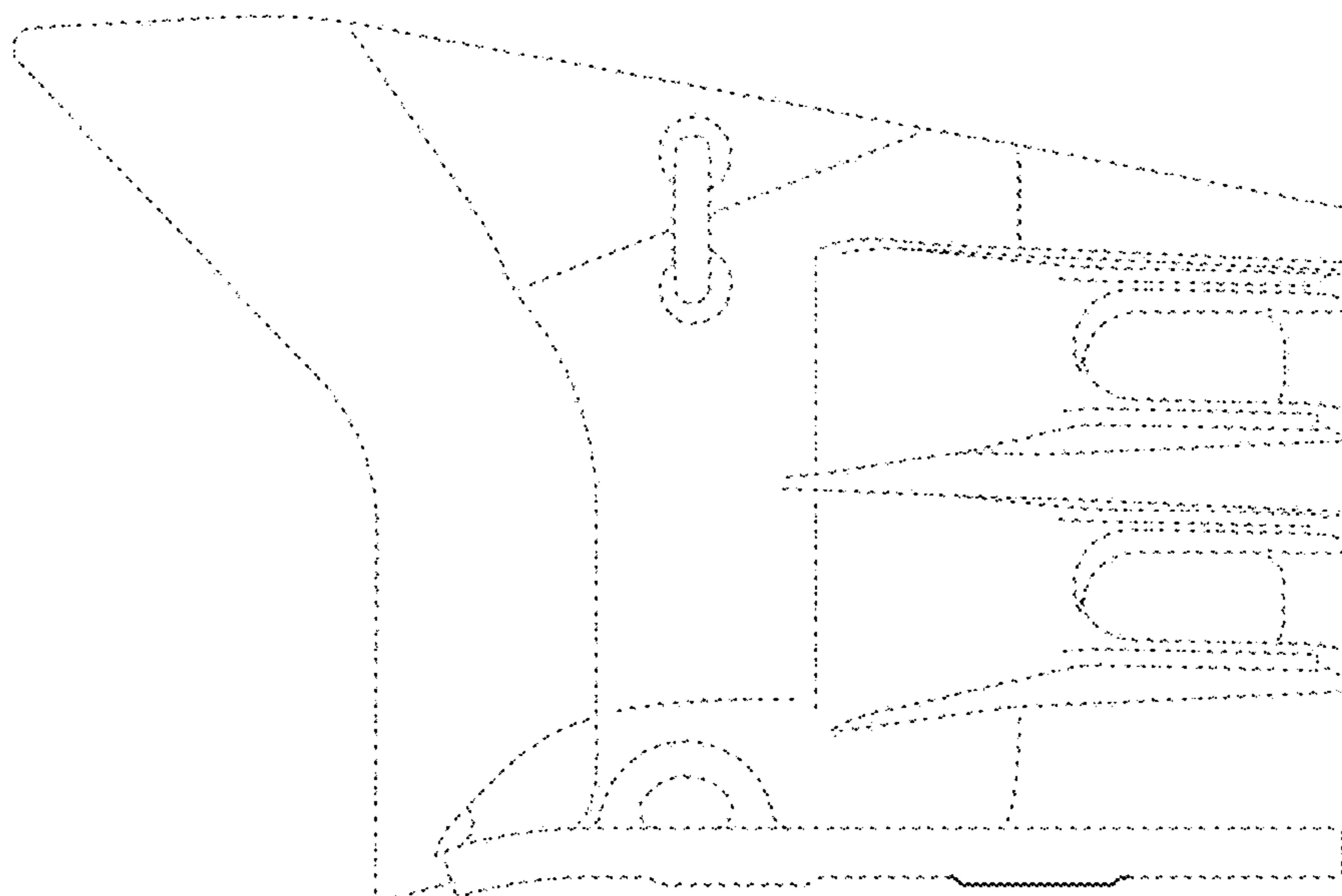


FIG. 13

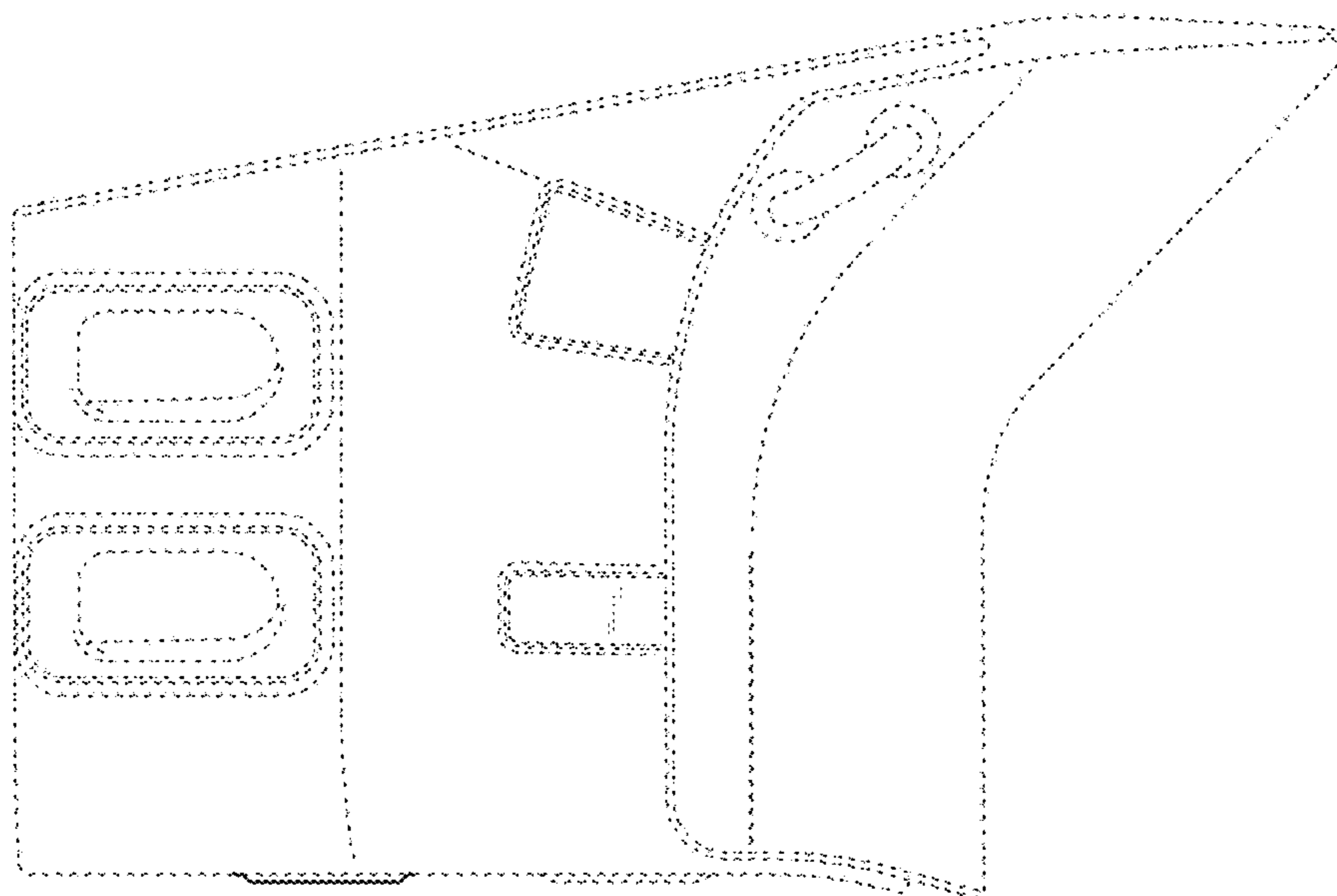


FIG. 14

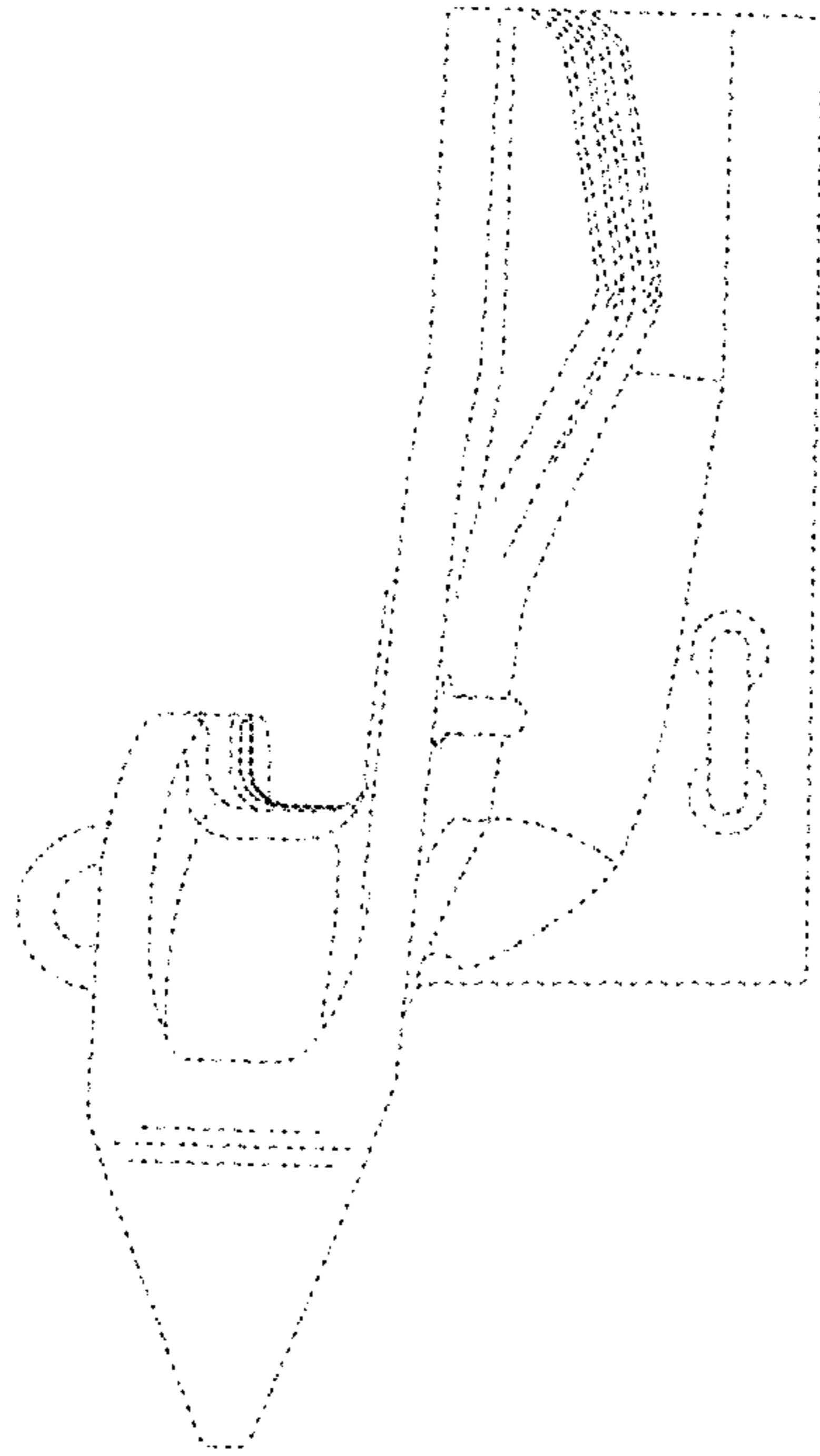


FIG. 15

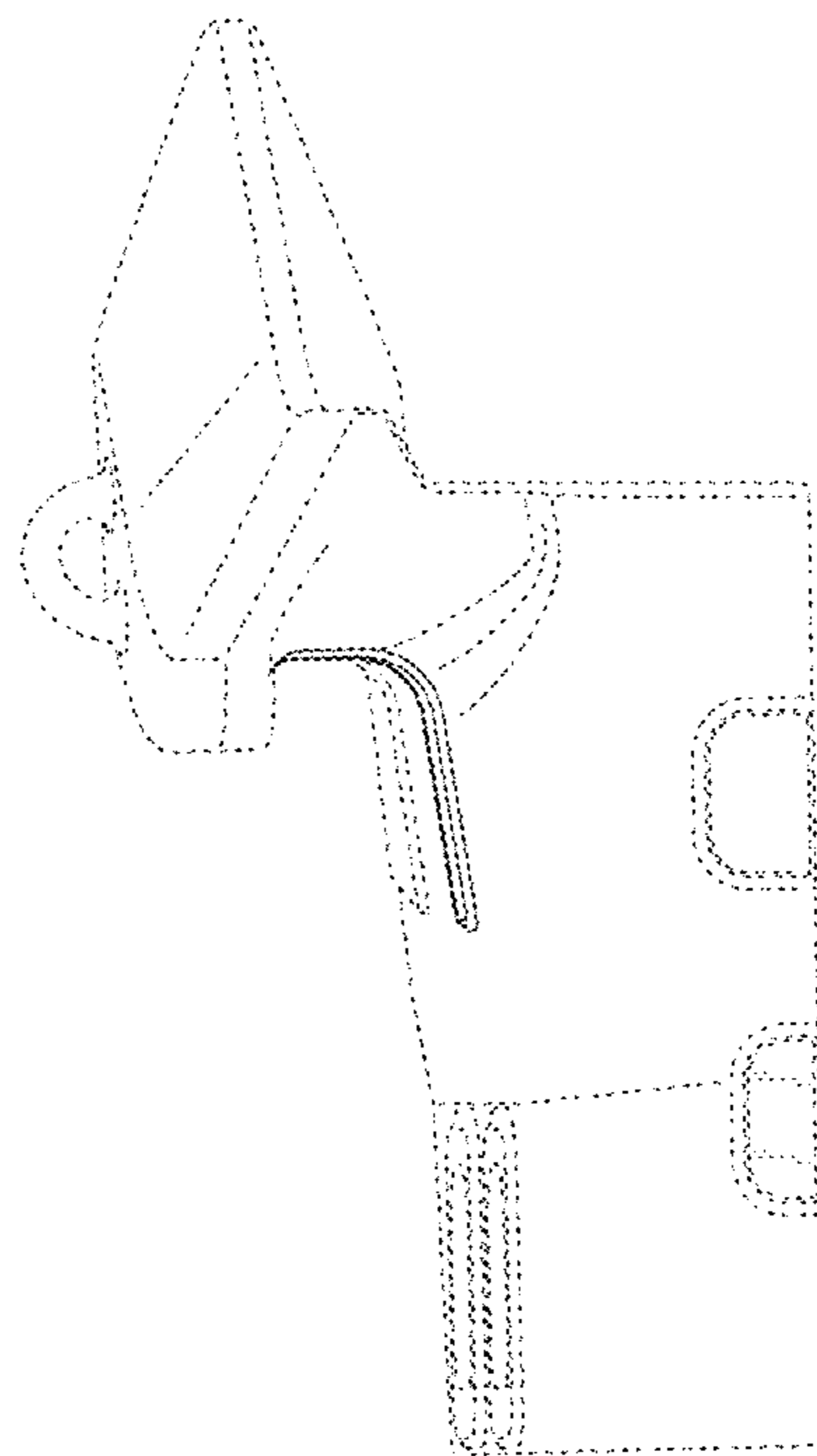


FIG. 16