



US00D791843S

(12) **United States Design Patent** (10) **Patent No.:** **US D791,843 S**
Hashimoto et al. (45) **Date of Patent:** **** Jul. 11, 2017**

- (54) **BACKHOE**
- (71) Applicant: **Kubota Corporation**, Osaka-shi (JP)
- (72) Inventors: **Ryo Hashimoto**, Sakai (JP); **Kazuhiro Masutani**, Sakai (JP); **Daisuke Matsumiya**, Sakai (JP)
- (73) Assignee: **Kubota Corporation**, Osaka (JP)
- (**) Term: **15 Years**
- (21) Appl. No.: **29/560,394**
- (22) Filed: **Apr. 6, 2016**
- (51) **LOC (10) Cl.** **15-03**
- (52) **U.S. Cl.**
USPC **D15/28**
- (58) **Field of Classification Search**
USPC D15/10, 22–26, 28, 30, 31, 33; 180/89.1, 180/89.12, 89.13, 900, 9.1, 9.2, 9.62; 37/379; 414/694, 699, 722–724, 660, 414/685, 698, 719, 743
CPC .. E02F 9/0866; E02F 9/18; E02F 3/32; F01N 13/001; F01N 2590/08
See application file for complete search history.

- D680,136 S * 4/2013 Tsukamoto D15/28
D725,683 S * 3/2015 Payne D15/31
D727,370 S * 4/2015 Payne D15/31
D728,638 S * 5/2015 Payne D15/31
D728,639 S * 5/2015 Payne D15/31
D742,934 S * 11/2015 Kushita D15/25
D749,150 S * 2/2016 Payne D15/31
D749,646 S * 2/2016 Turner D15/28
D767,644 S * 9/2016 Underhill D15/28

OTHER PUBLICATIONS

Kubota Tractor Corporation, “Kubota Power Utility Excavator: KX080-4”, Dec. 11, 2014.

* cited by examiner

Primary Examiner — Mark Goodwin
(74) *Attorney, Agent, or Firm* — The Webb Law Firm

(57) **CLAIM**

The ornamental design for a backhoe, as shown and described.

DESCRIPTION

FIG. 1 is front view of a backhoe showing our new design; FIG. 2 is a rear view thereof; FIG. 3 is a left side view thereof; FIG. 4 is a right side view thereof; FIG. 5 is a top view thereof; FIG. 6 is an upper right rear perspective view thereof; FIG. 7 is an enlarged rear view of a portion thereof; and, FIG. 8 is an enlarged upper right rear perspective view of a portion thereof.

A bottom view is omitted because it is plain and unornamental and forms no part of the subject matter of the claimed design.

The broken lines in the drawings are directed to environment and form no part of the claimed design.

1 Claim, 8 Drawing Sheets

(56) **References Cited**

U.S. PATENT DOCUMENTS

- D490,444 S * 5/2004 Kuwae D15/33
D506,211 S * 6/2005 Kuwae D15/33
D528,568 S * 9/2006 Kuwae D15/28
D529,933 S * 10/2006 Kuwae D15/28
D555,675 S * 11/2007 Matsubara D15/25
D559,279 S * 1/2008 Sakitani D15/28
D582,947 S * 12/2008 Ueta D15/28
D587,285 S * 2/2009 Murakami D15/28
D614,205 S * 4/2010 Kuwae D15/25
D678,358 S * 3/2013 Hiraoka D15/28
D678,359 S * 3/2013 Hagura D15/28

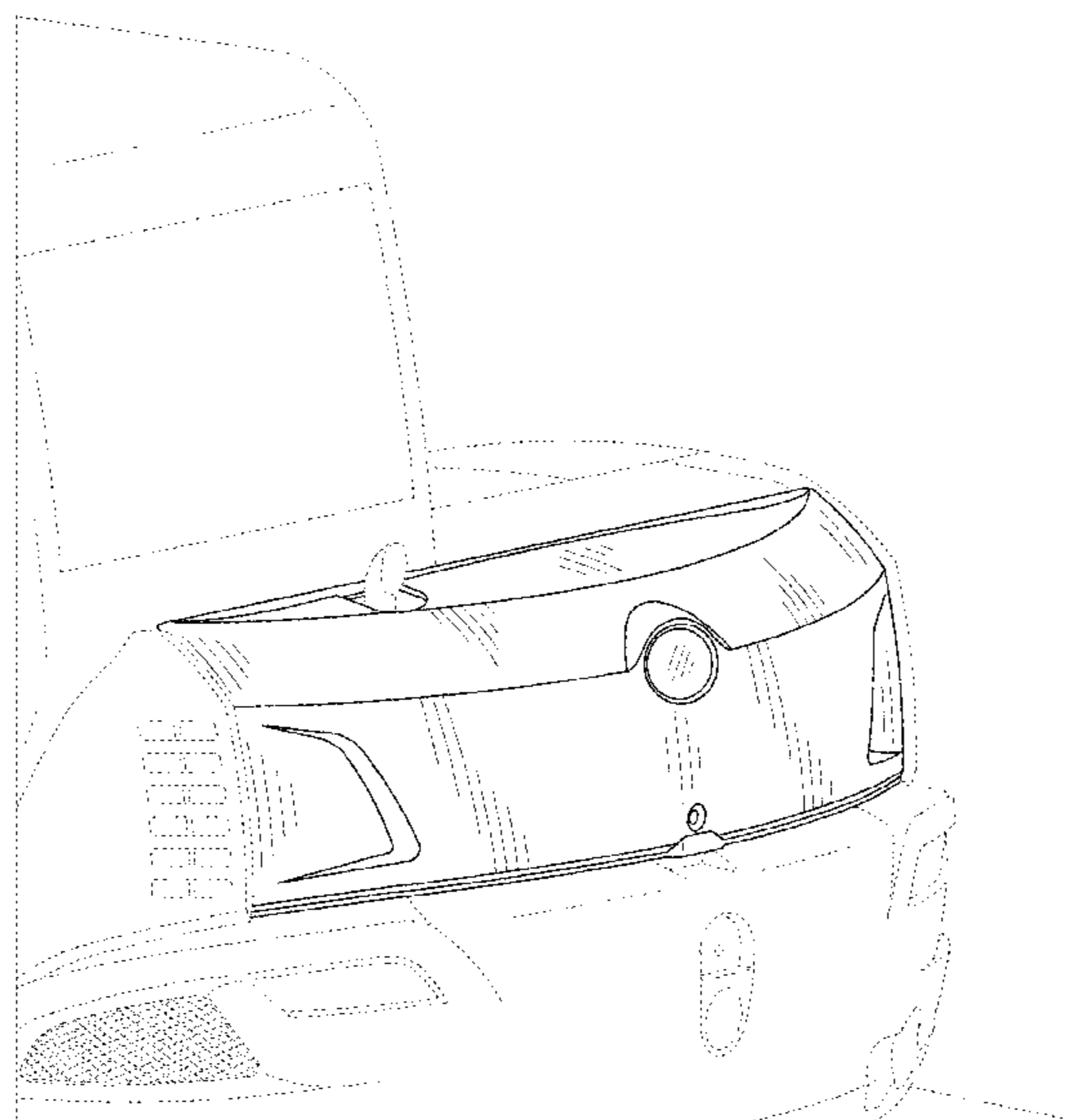


Fig. 1

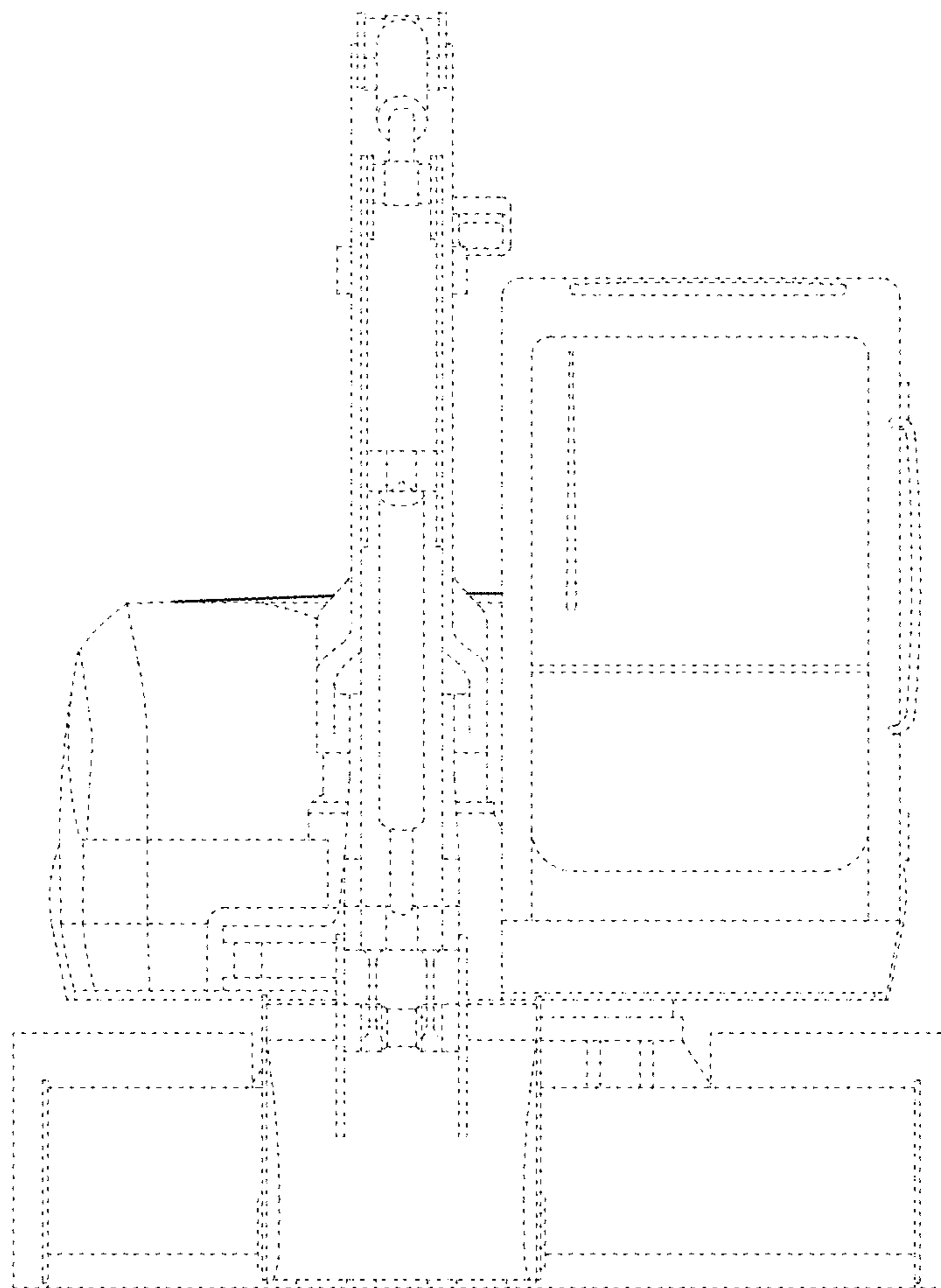


Fig.2

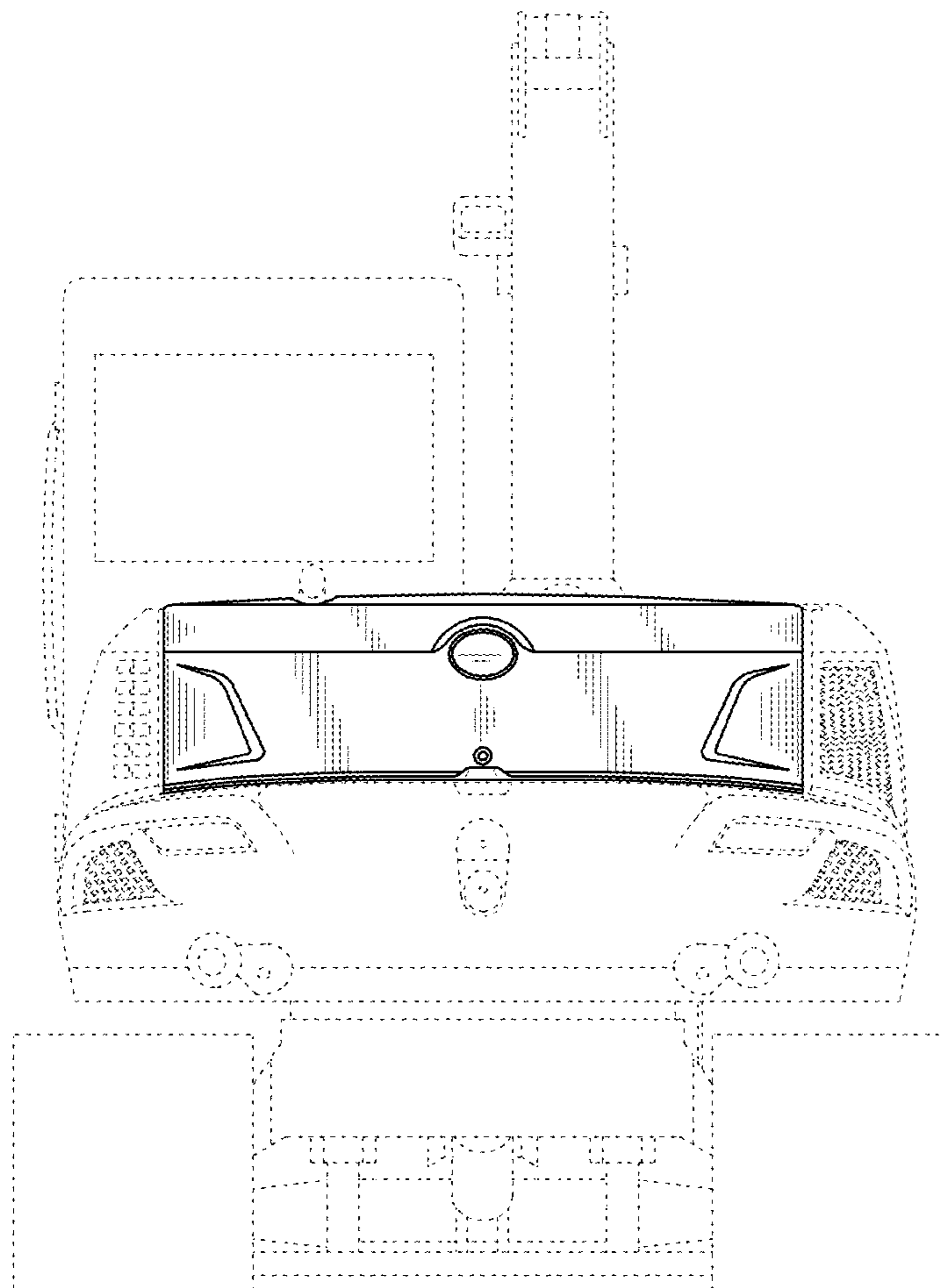


Fig.4

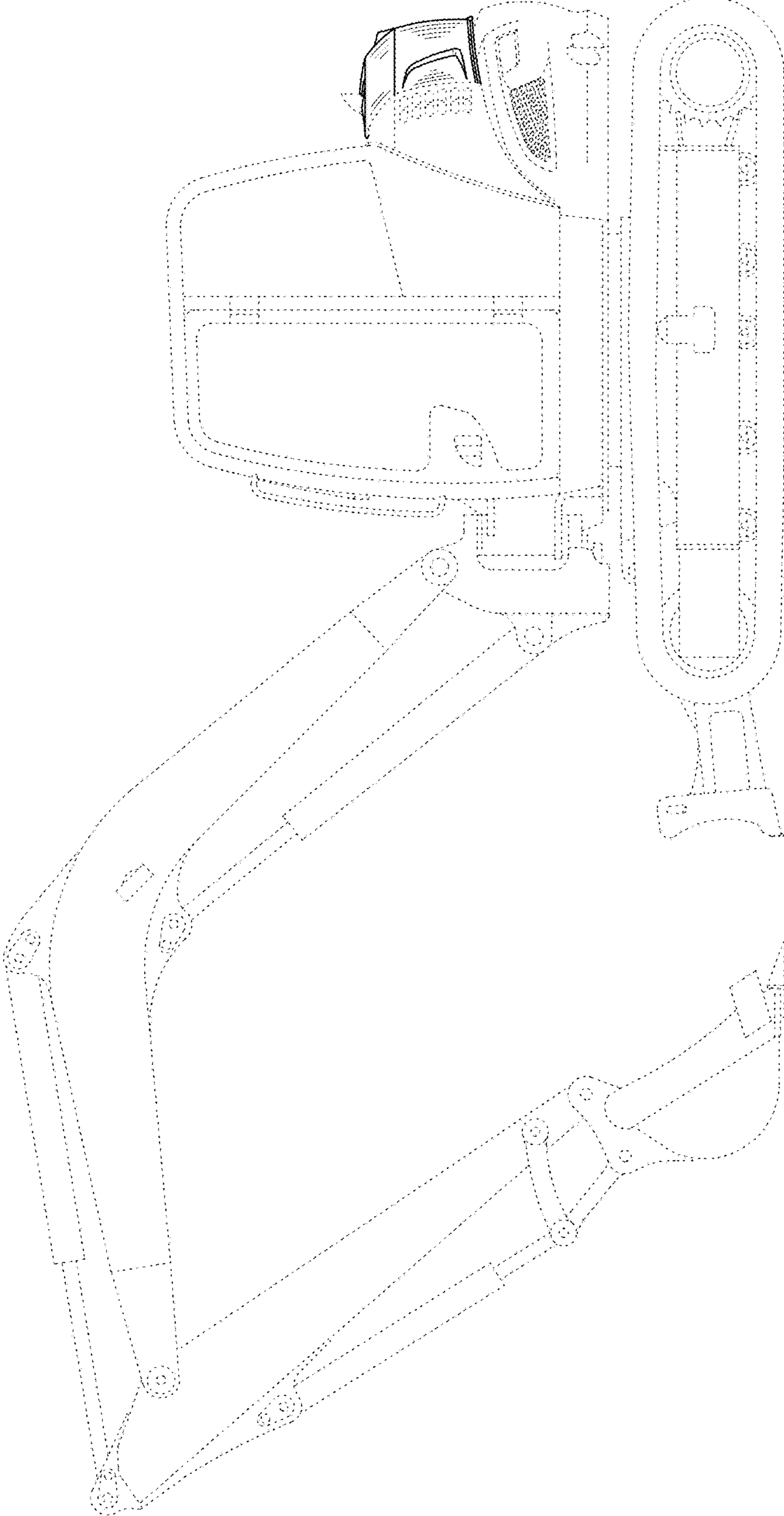


Fig. 5

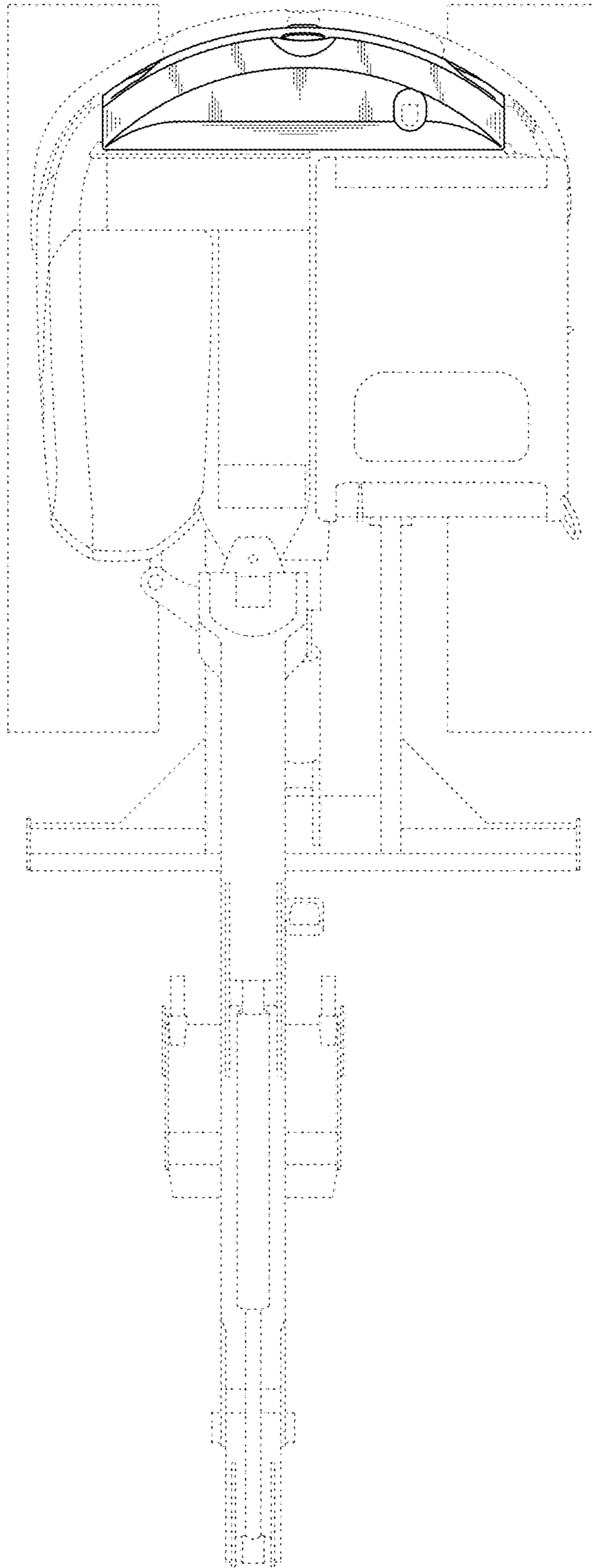


Fig.6

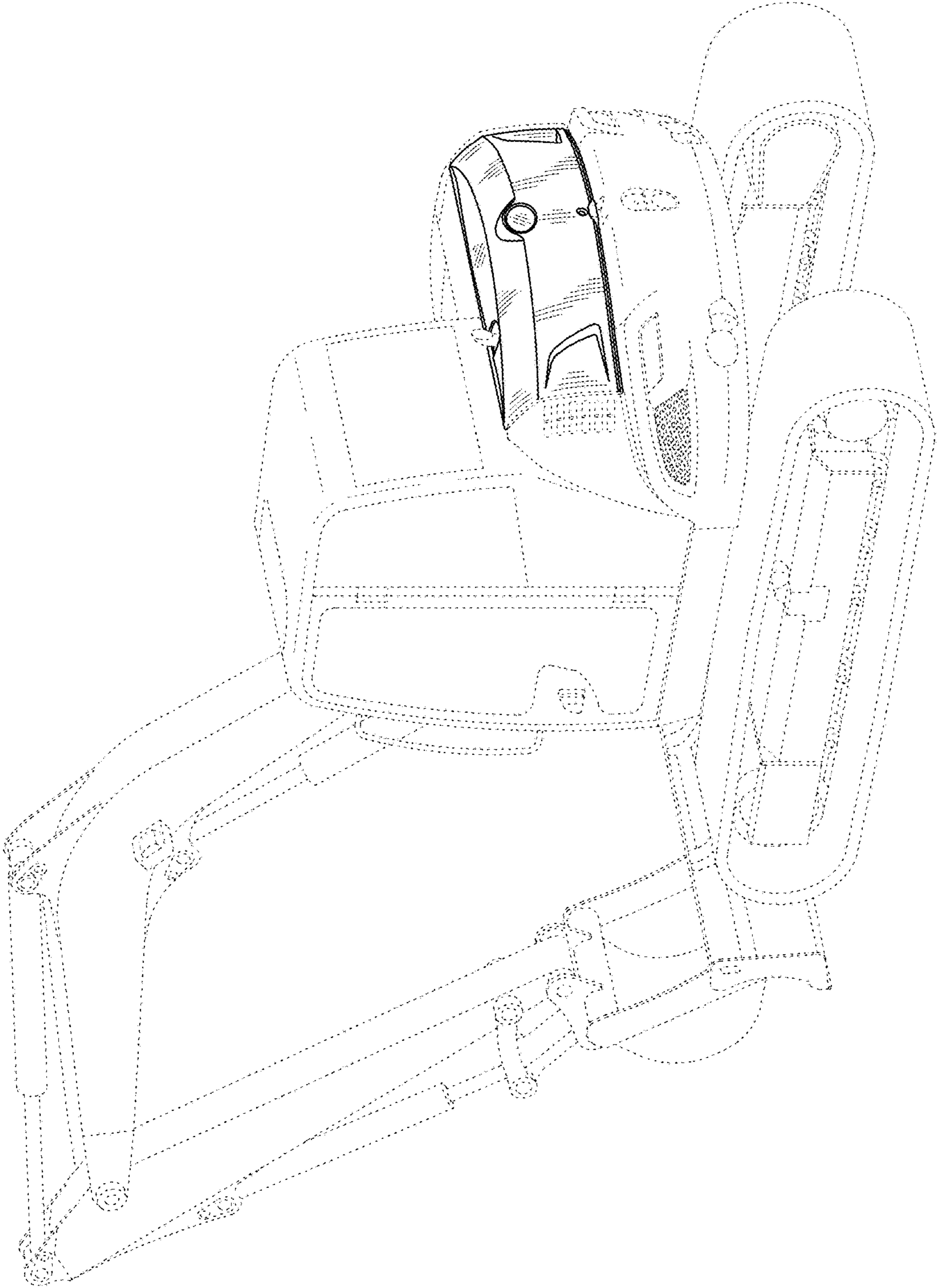


Fig. 7

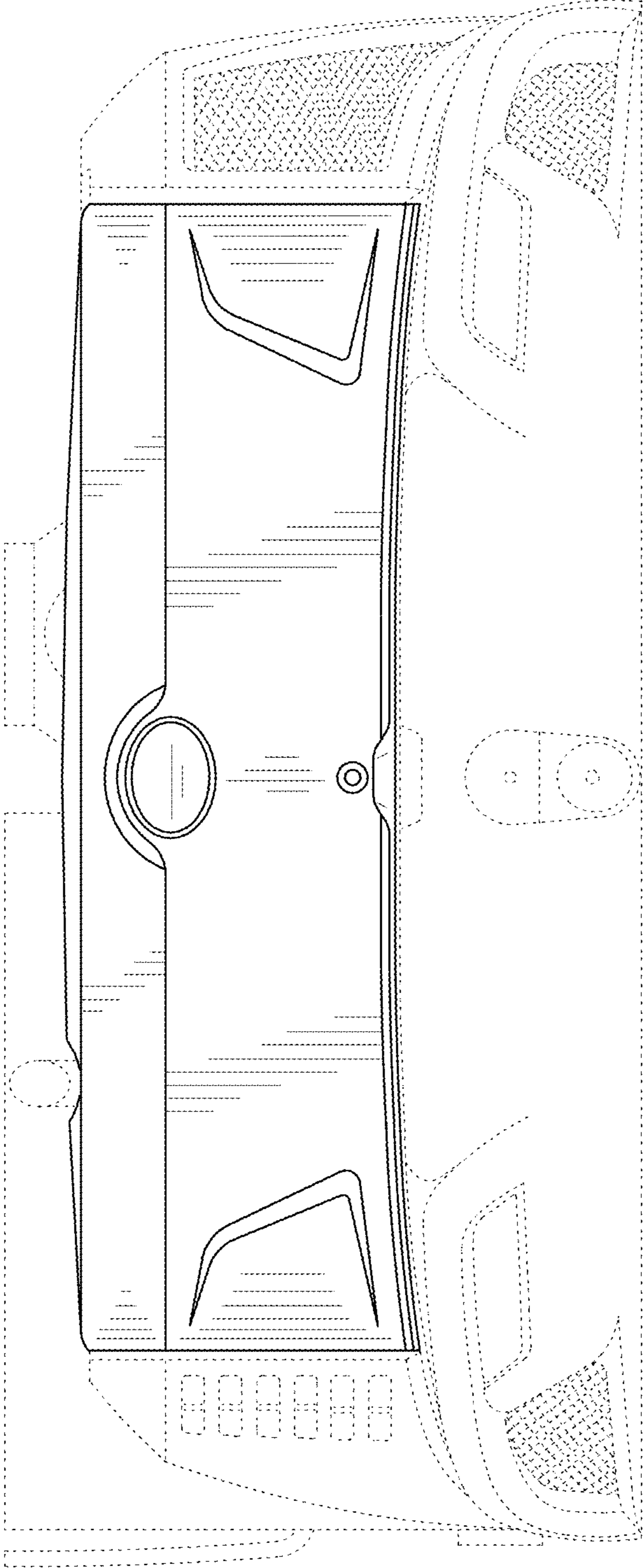


Fig.8

