



US00D791840S

(12) **United States Design Patent**
Gebert et al.

(10) **Patent No.:** **US D791,840 S**
(45) **Date of Patent:** **** Jul. 11, 2017**

(54) **SPIRAL CASING**

(71) Applicant: **ebm-papst Mulfingen GmbH & Co. KG, Mulfingen (DE)**

(72) Inventors: **Daniel Gebert, Oehringen (DE); Oliver Haaf, Kupferzell (DE)**

(73) Assignee: **ebm-papst Mulfingen GmbH & Co. KG, Mulfingen (DE)**

(**) Term: **15 Years**

(21) Appl. No.: **29/538,382**

(22) Filed: **Sep. 3, 2015**

(30) **Foreign Application Priority Data**

Aug. 28, 2015 (EM) 002762476

(51) **LOC (10) Cl.** **15-02**

(52) **U.S. Cl.**
USPC **D15/7**

(58) **Field of Classification Search**
USPC D15/7-9; D23/231, 232, 225; 417/60, 417/235, 265, 321, 355, 358, 363, 359, 417/410.1, 415-416, 405, 900; 60/408, 60/412; 184/26-37; 415/140-147, 200; 123/495, 509; 137/565.34
CPC F02M 37/04; F02M 37/14; F04D 29/4286; F04D 29/428
See application file for complete search history.

(56) **References Cited**

U.S. PATENT DOCUMENTS

D368,913 S * 4/1996 Wightley D15/7
D381,339 S * 7/1997 Wightley D15/7

D608,677 S * 1/2010 Glaves D15/7
D609,248 S * 2/2010 Foreman D15/7
D610,165 S * 2/2010 Glaves D15/7
D616,902 S * 6/2010 Foreman D15/7
8,747,062 B2 * 6/2014 Burgess F04D 29/428
415/196
D740,327 S * 10/2015 Naruoka D15/5
D742,420 S * 11/2015 Sullivan D15/7
D767,637 S * 9/2016 Pappathopoulos D15/7
2007/0014662 A1 * 1/2007 Burgess F04D 29/4286
415/197
2014/0271162 A1 * 9/2014 Karl F04D 29/4286
415/200

* cited by examiner

Primary Examiner — Ralf Seifert

(74) *Attorney, Agent, or Firm* — Harness, Dickey & Pierce, P.L.C.

(57) **CLAIM**

The ornamental design for a spiral casing, as shown and described.

DESCRIPTION

FIG. 1 is a bottom side of a spiral casing;
FIG. 2 is a front side of a spiral casing;
FIG. 3 is a perspective view of a spiral casing;
FIG. 4 is a rear view of a spiral casing;
FIG. 5 is a side view of a spiral casing;
FIG. 6 is a side view of a spiral casing; and,
FIG. 7 is a top view of a spiral casing.

1 Claim, 7 Drawing Sheets

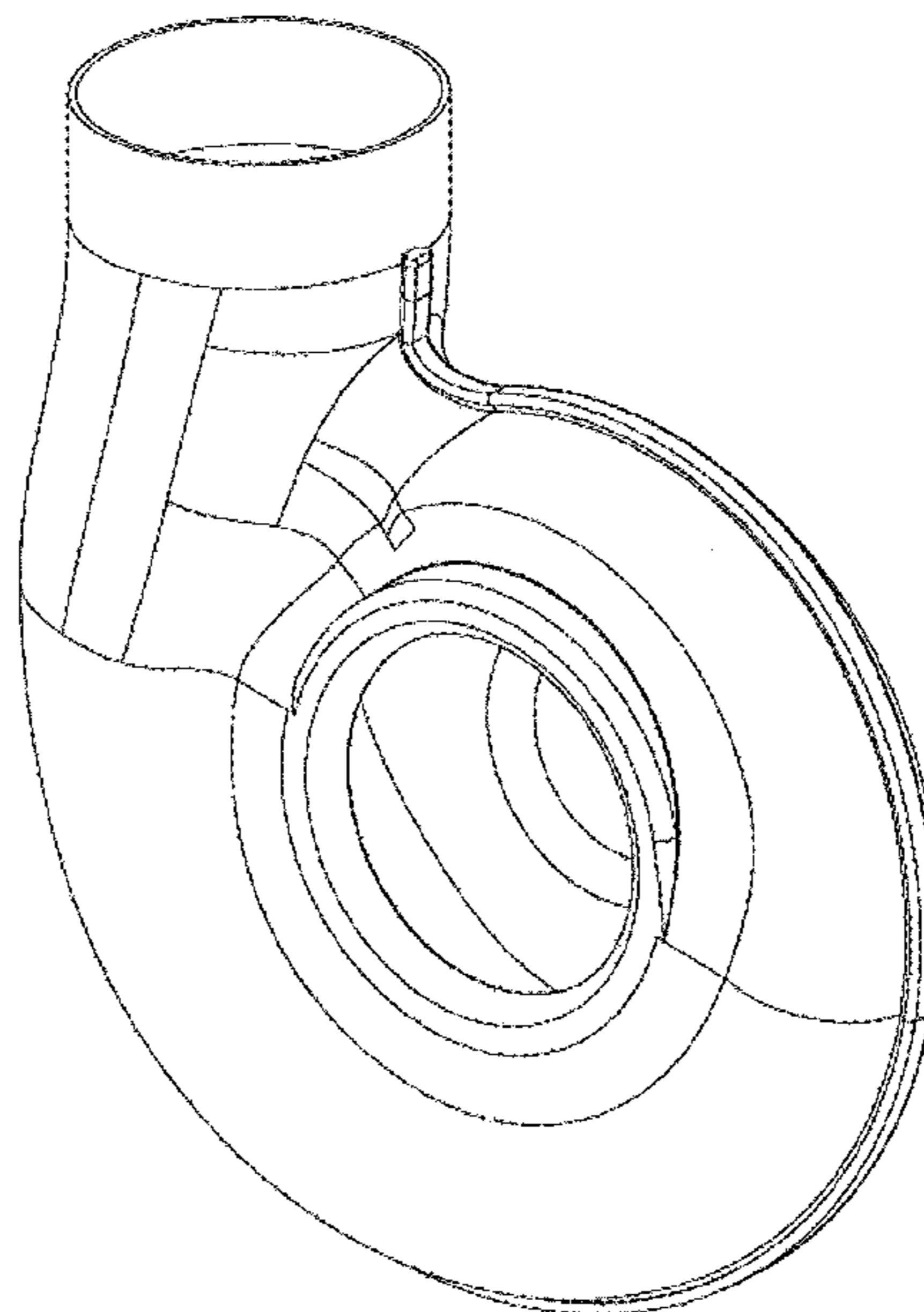


FIG. 1

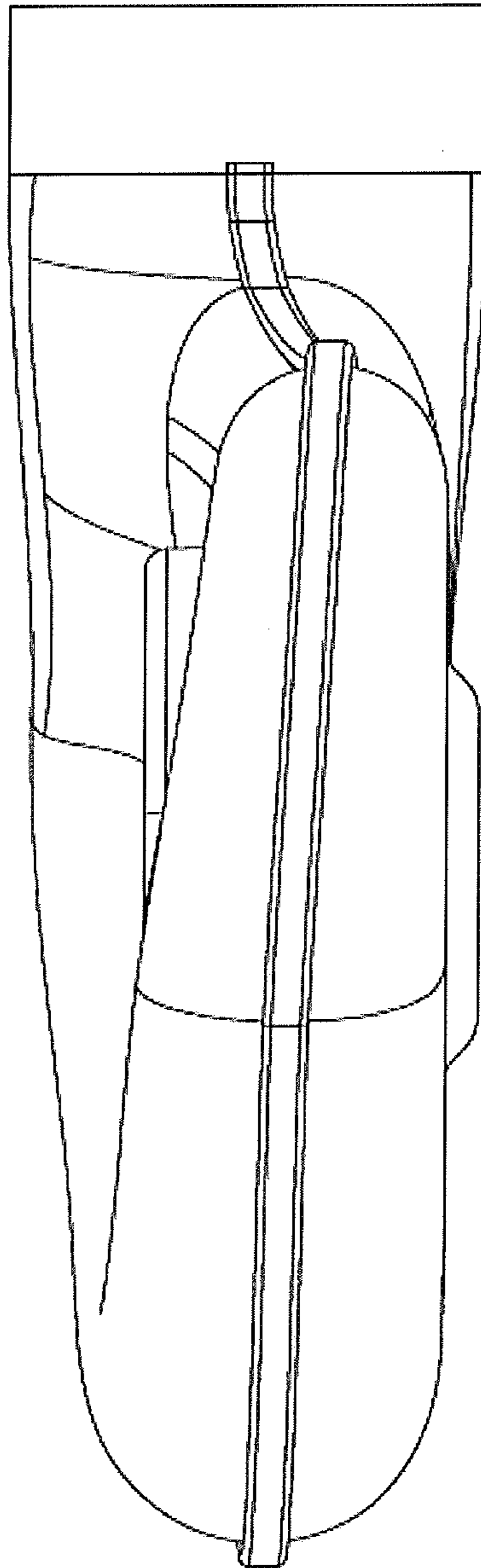


FIG. 2

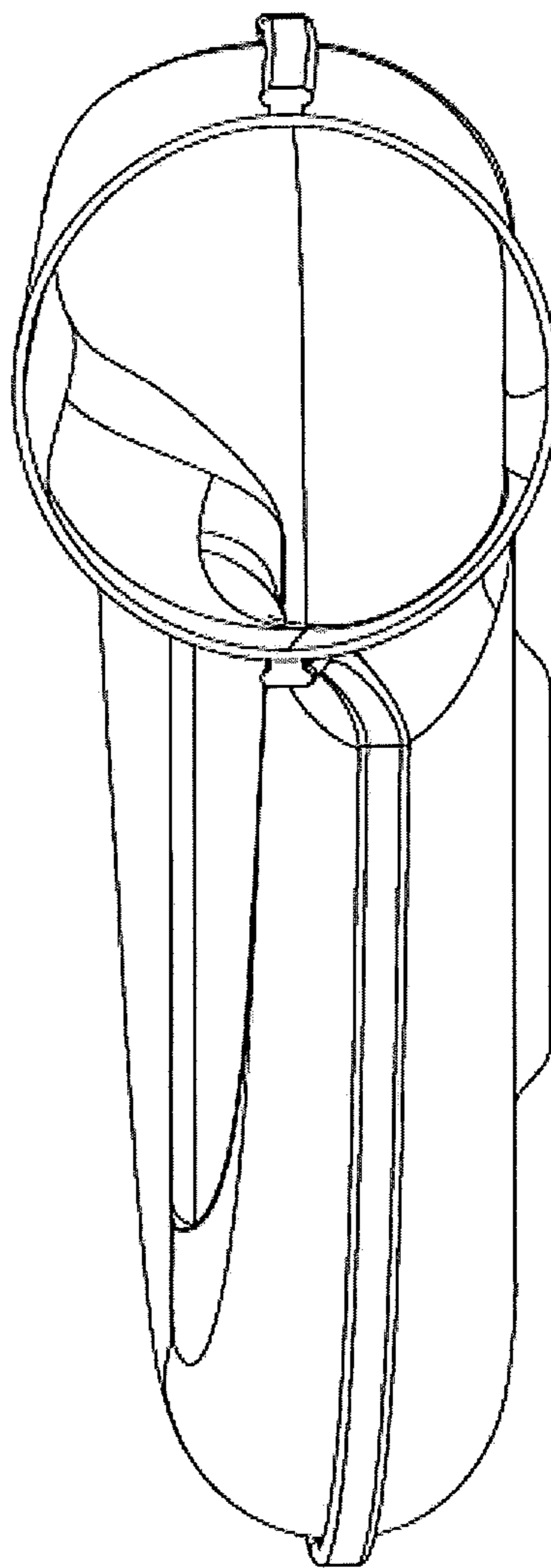


FIG. 3

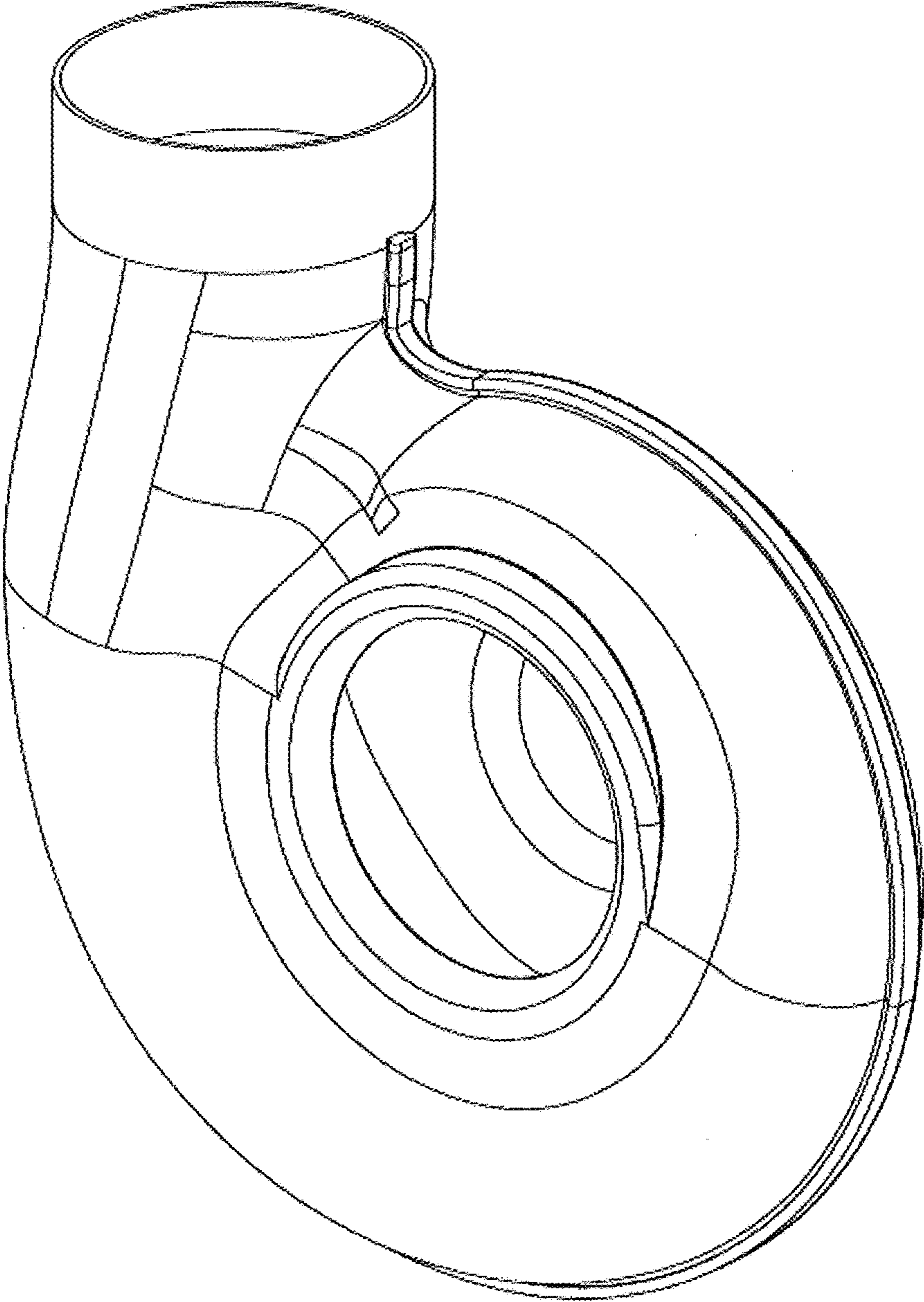


FIG. 4

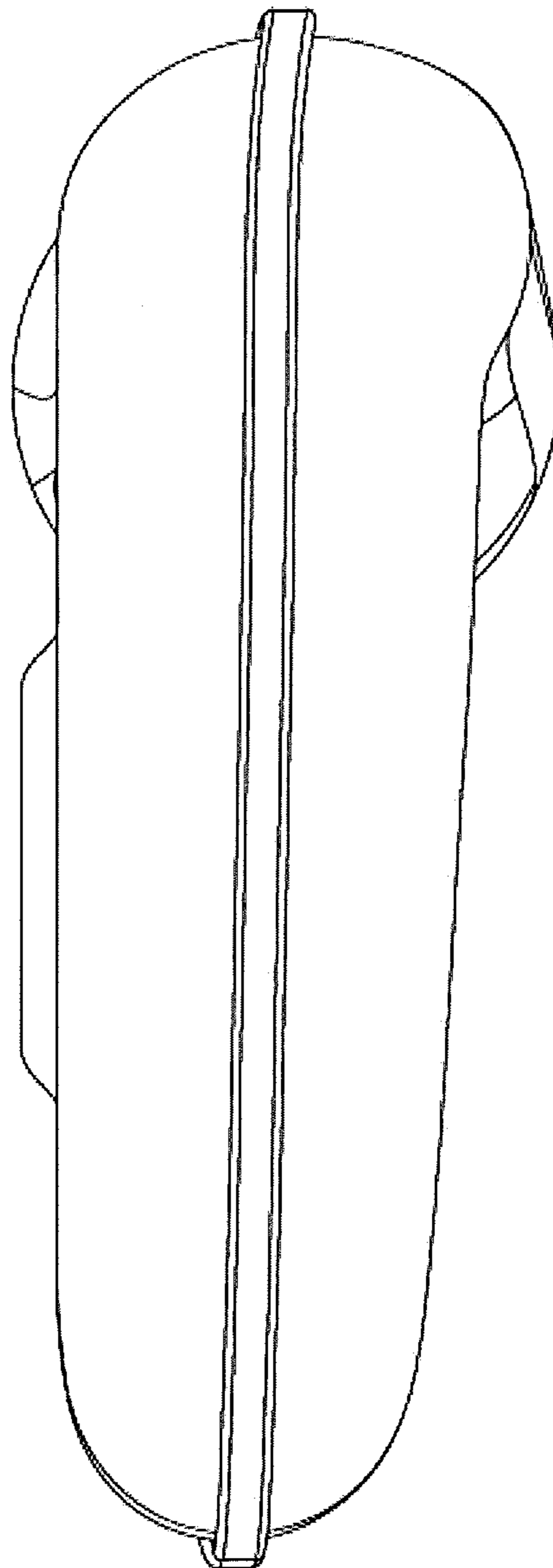


FIG. 5

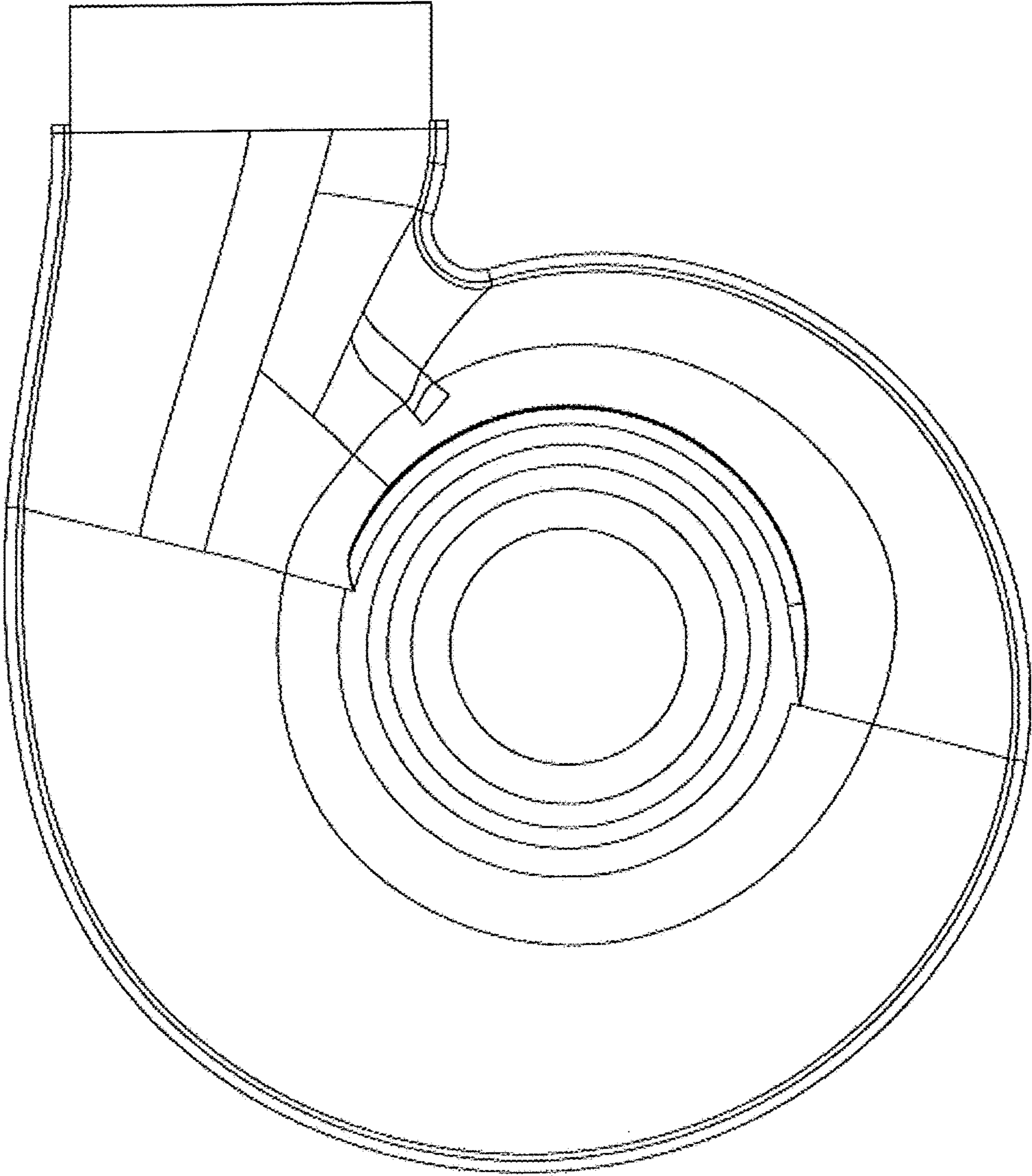


FIG. 6

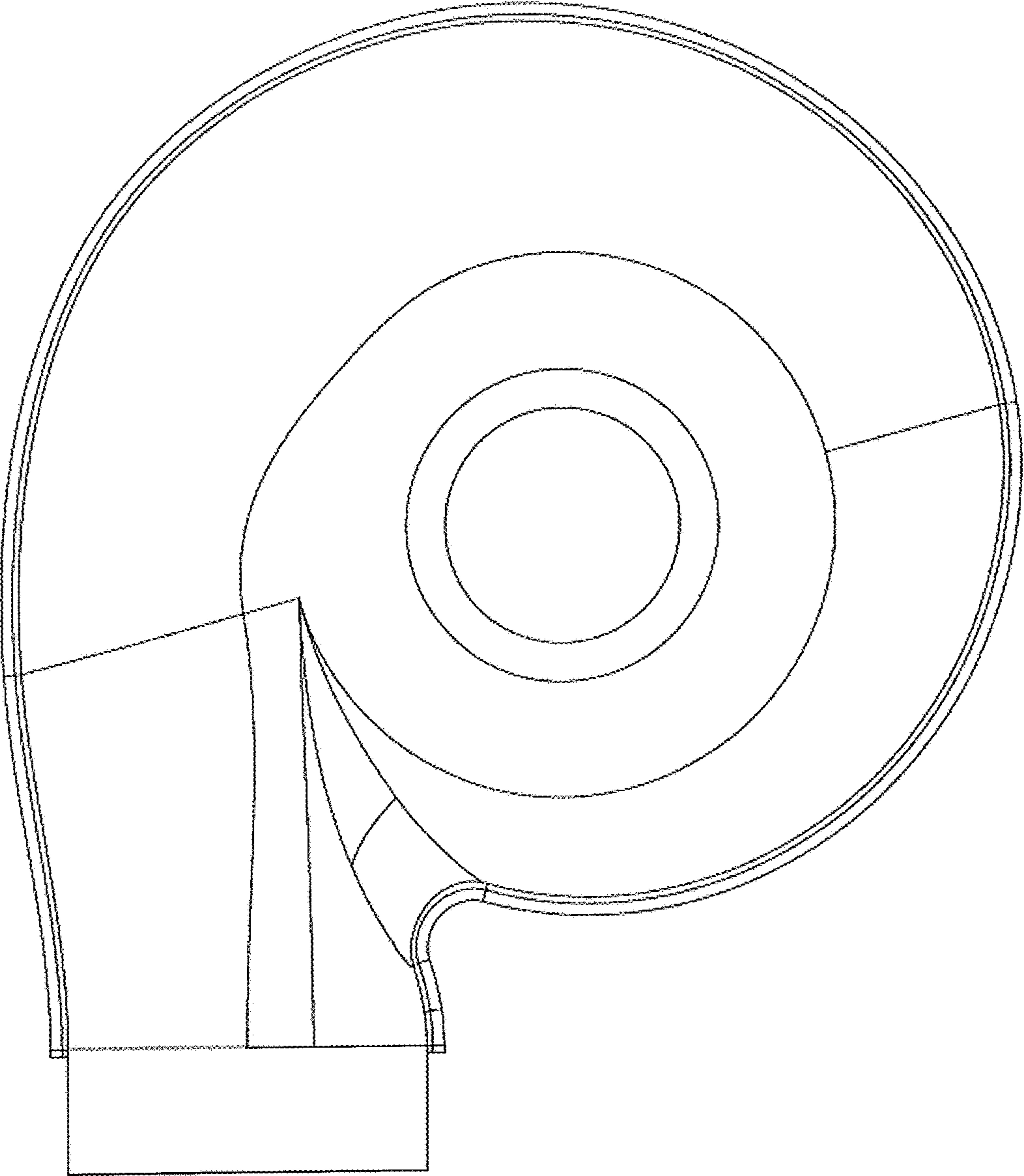


FIG. 7

