

US00D791838S

(12) **United States Design Patent** (10) **Patent No.:** **US D791,838 S**  
**Alden et al.** (45) **Date of Patent:** **\*\* Jul. 11, 2017**

(54) **ACCESSORY SUPPORT BRACKET ASSEMBLY**

(71) Applicant: **Cummins Inc.**, Columbus, IN (US)

(72) Inventors: **Glen R. Alden**, Columbus, IN (US); **Kristopher D. Bunk**, Warren, PA (US); **Christopher Swearingen**, Jamestown, NY (US); **John E. Zellhart**, Columbus, IN (US); **Jonathan Moran**, Columbus, IN (US); **Suhas Subramanya Bhat**, Peoria, IL (US); **Robert D. Rogers**, Westport, IN (US); **George D'Angelo**, Jamestown, NY (US)

(73) Assignee: **Cummins Inc.**, Columbus, IN (US)

(\*\*) Term: **15 Years**

(21) Appl. No.: **29/553,387**

(22) Filed: **Feb. 1, 2016**

(51) **LOC (10) Cl.** ..... **15-01**

(52) **U.S. Cl.**  
USPC ..... **D15/5**

(58) **Field of Classification Search**  
USPC ..... D15/5; D8/354, 356  
CPC ..... B60K 5/12; B60K 13/06; F02B 67/08; F16M 7/00; B60R 11/00; B60R 2011/0038; B60R 2011/0288; B60R 13/0838

See application file for complete search history.

(56) **References Cited**

**U.S. PATENT DOCUMENTS**

3,730,147	A	5/1973	Buchwald	
D250,805	S *	1/1979	Mygind	D8/354
4,440,555	A	4/1984	Chichester	
5,245,960	A	9/1993	Macier et al.	
D362,384	S *	9/1995	Middlebrook	D8/354
D383,140	S *	9/1997	Middlebrook	D15/5

6,244,239	B1	6/2001	Sisco et al.	
6,780,215	B2	8/2004	Keen et al.	
7,185,639	B1	3/2007	Roche et al.	
D582,431	S *	12/2008	Chisenhall	D15/5
D731,554	S *	6/2015	Turuvekere Gurudatt	D15/4
D772,041	S *	11/2016	Miner	D8/356
2007/0277642	A1 *	12/2007	O'Neill	B60T 7/042 74/560

(Continued)

**OTHER PUBLICATIONS**

U.S. Appl. No. 29/553,378, filed Feb. 1, 2016, Cummins Inc. International Search Report and Written Opinion for PCT Application No. PCT/US2016/15919, dated Jun. 9, 2016, 10 pages.

*Primary Examiner* — T. Chase Nelson

*Assistant Examiner* — Ania Aman

(74) *Attorney, Agent, or Firm* — Foley & Lardner LLP

(57) **CLAIM**

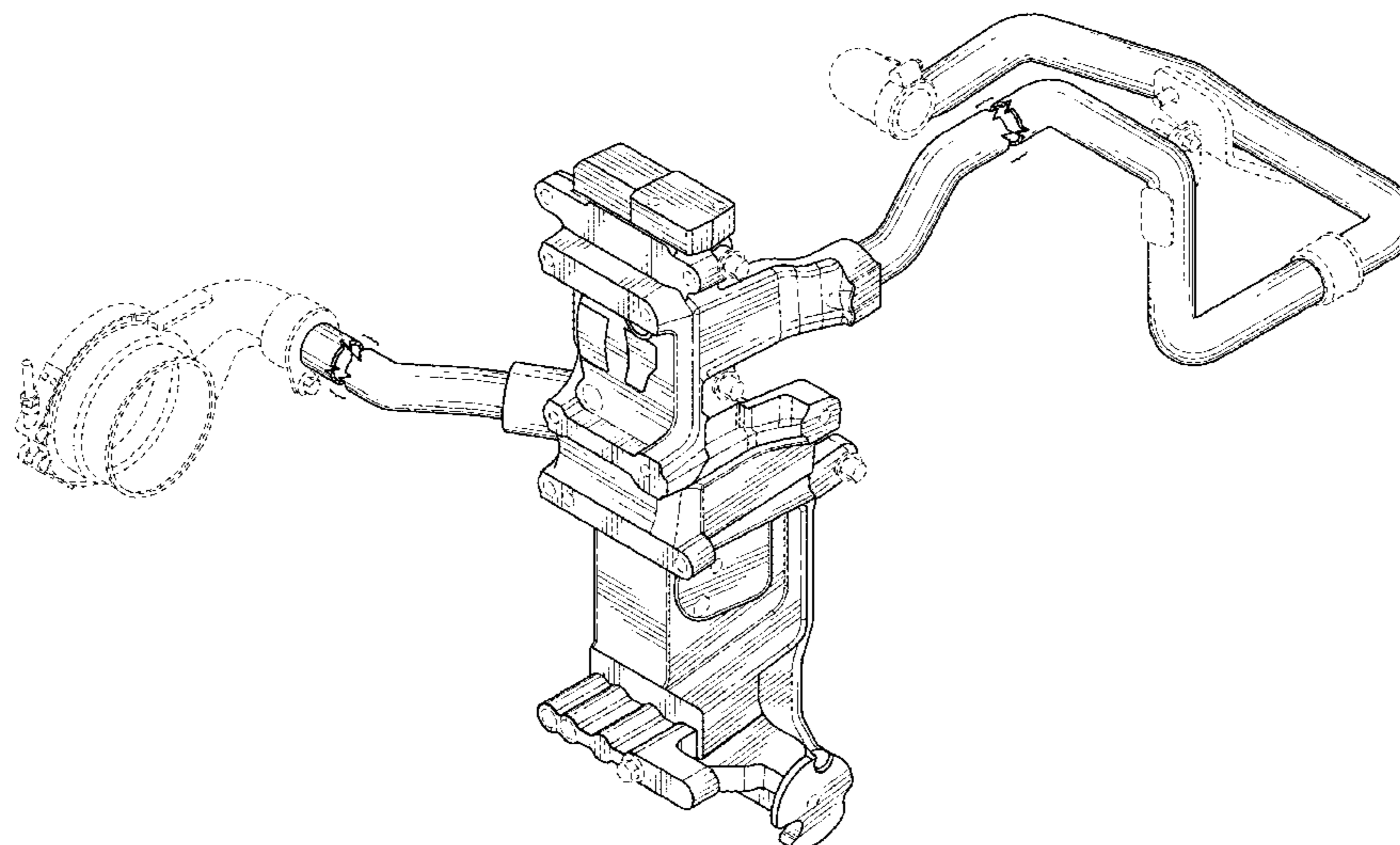
We claim the ornamental design for an accessory support bracket assembly, as shown and described.

**DESCRIPTION**

FIG. 1 is a top, front, left perspective view of the accessory support bracket assembly showing our new design; FIG. 2 is a top, rear, right perspective view thereof; FIG. 3 is a front elevation view thereof; FIG. 4 is a rear elevation view thereof; FIG. 5 is a left side elevation view thereof; FIG. 6 is a right side elevation view thereof; FIG. 7 is a top plan view thereof; and, FIG. 8 is a bottom plan view thereof.

In the drawings, the broken lines depict portions of the accessory support bracket assembly that form no part of the claim design. The broken away symbols in the drawings indicate the appearance of any portion of the article between the break lines form no part of the claimed design.

**1 Claim, 7 Drawing Sheets**



(56)

**References Cited**

U.S. PATENT DOCUMENTS

2008/0054682	A1 *	3/2008	Ellison .....	B62D 25/145 296/193.02
2012/0067323	A1	3/2012	Patwardhan et al.	
2014/0238330	A1	8/2014	Matsuzaki et al.	
2016/0123502	A1 *	5/2016	Maki .....	B61H 11/06 29/525.01

\* cited by examiner

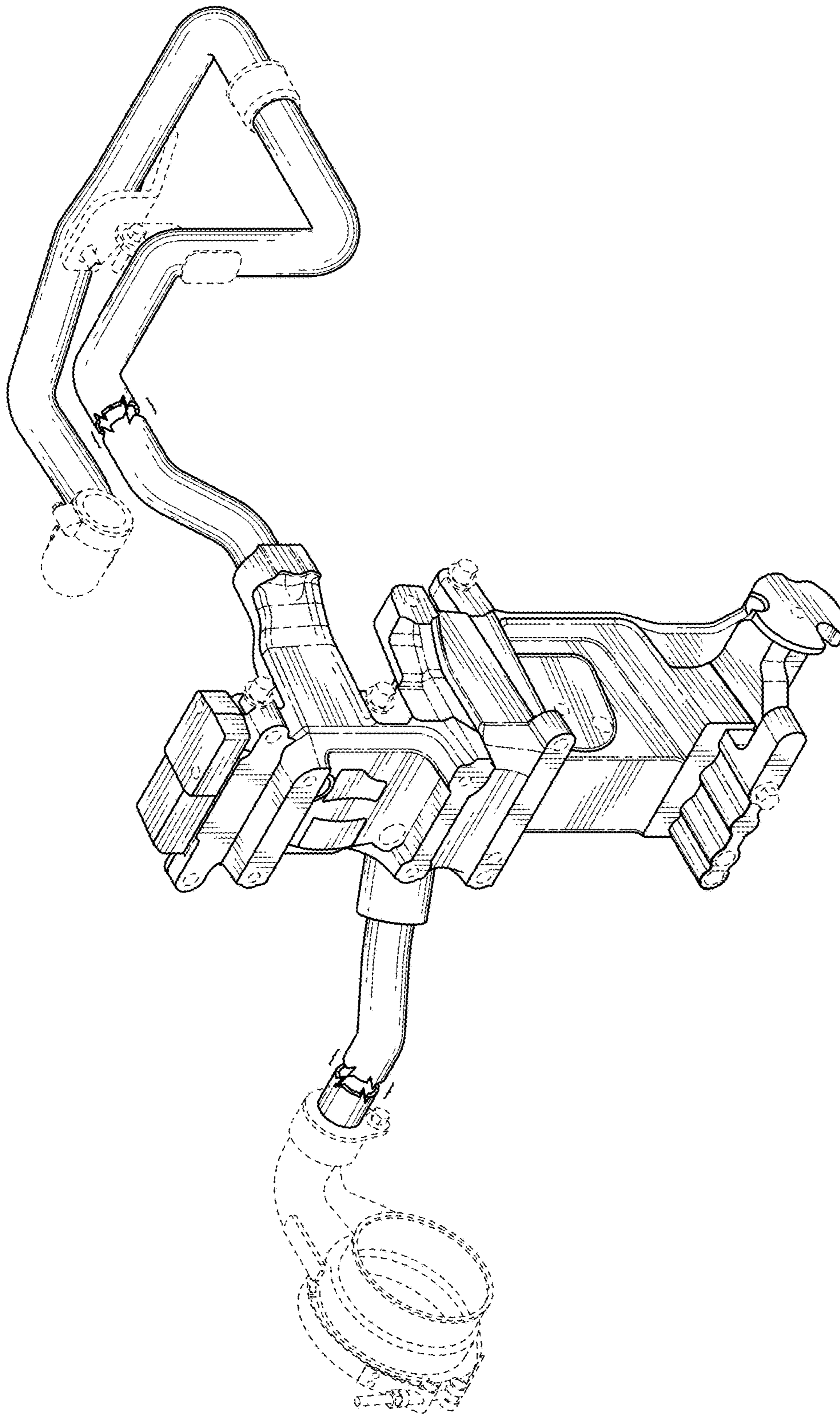


FIG. 1

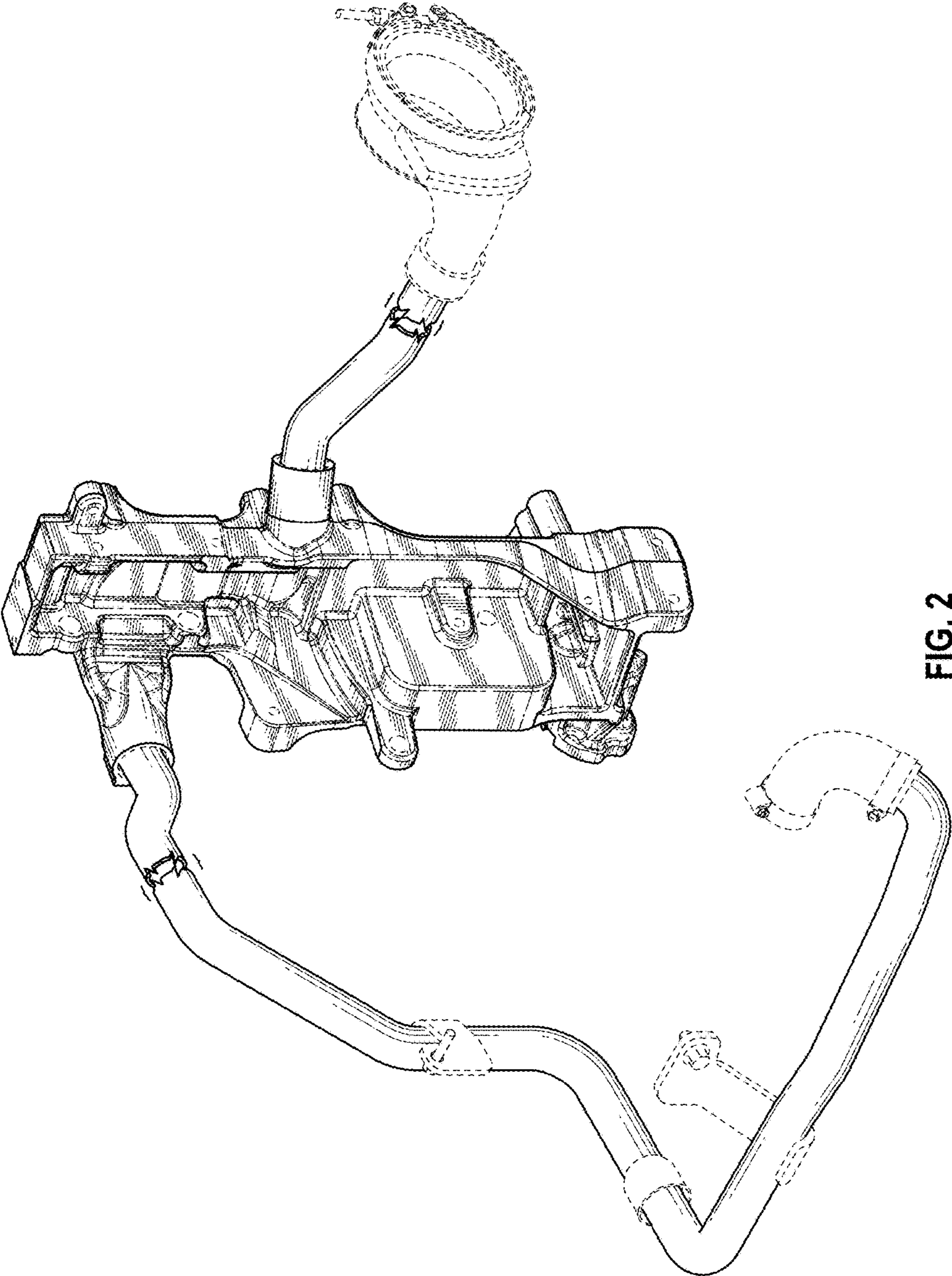


FIG. 2

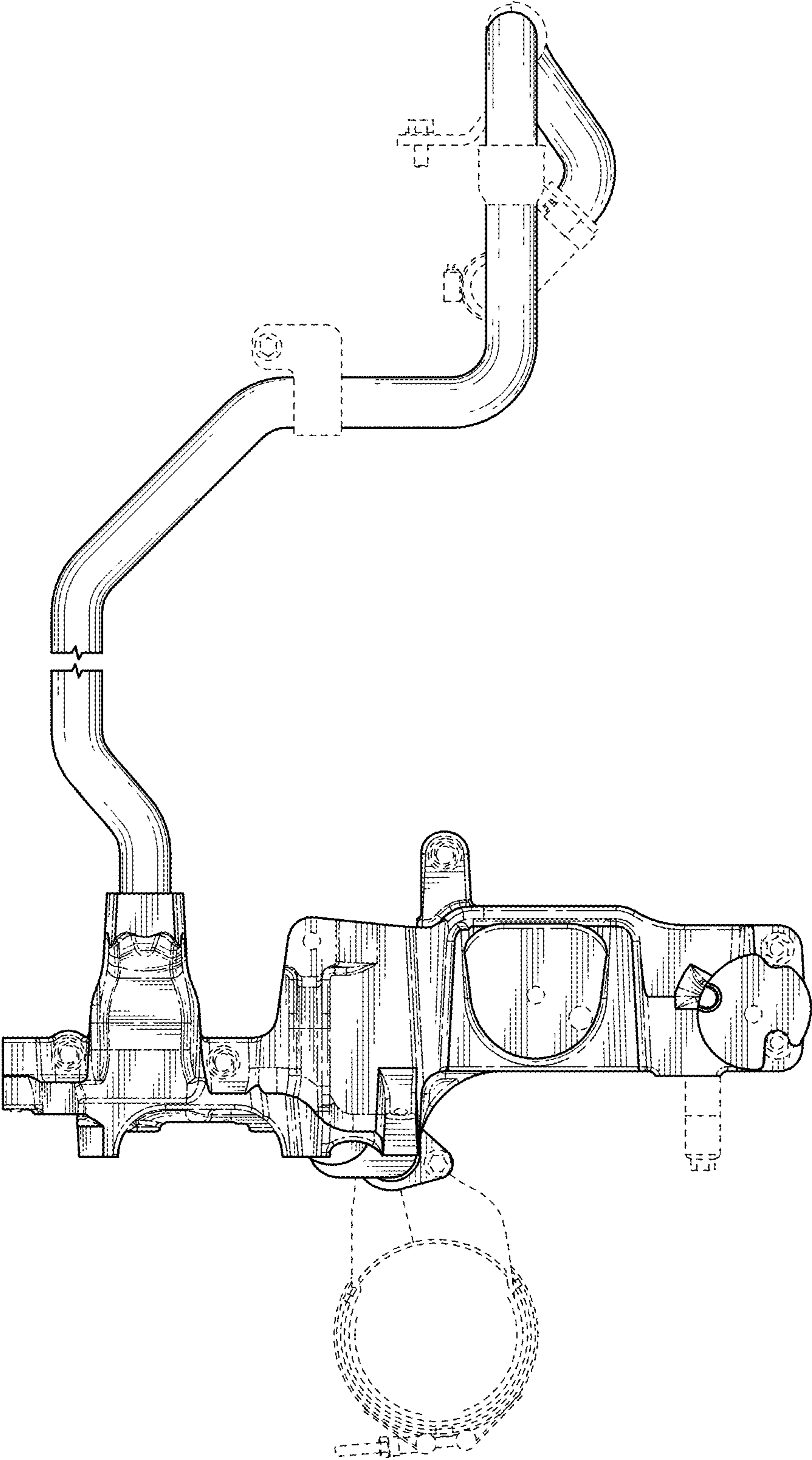


FIG. 3

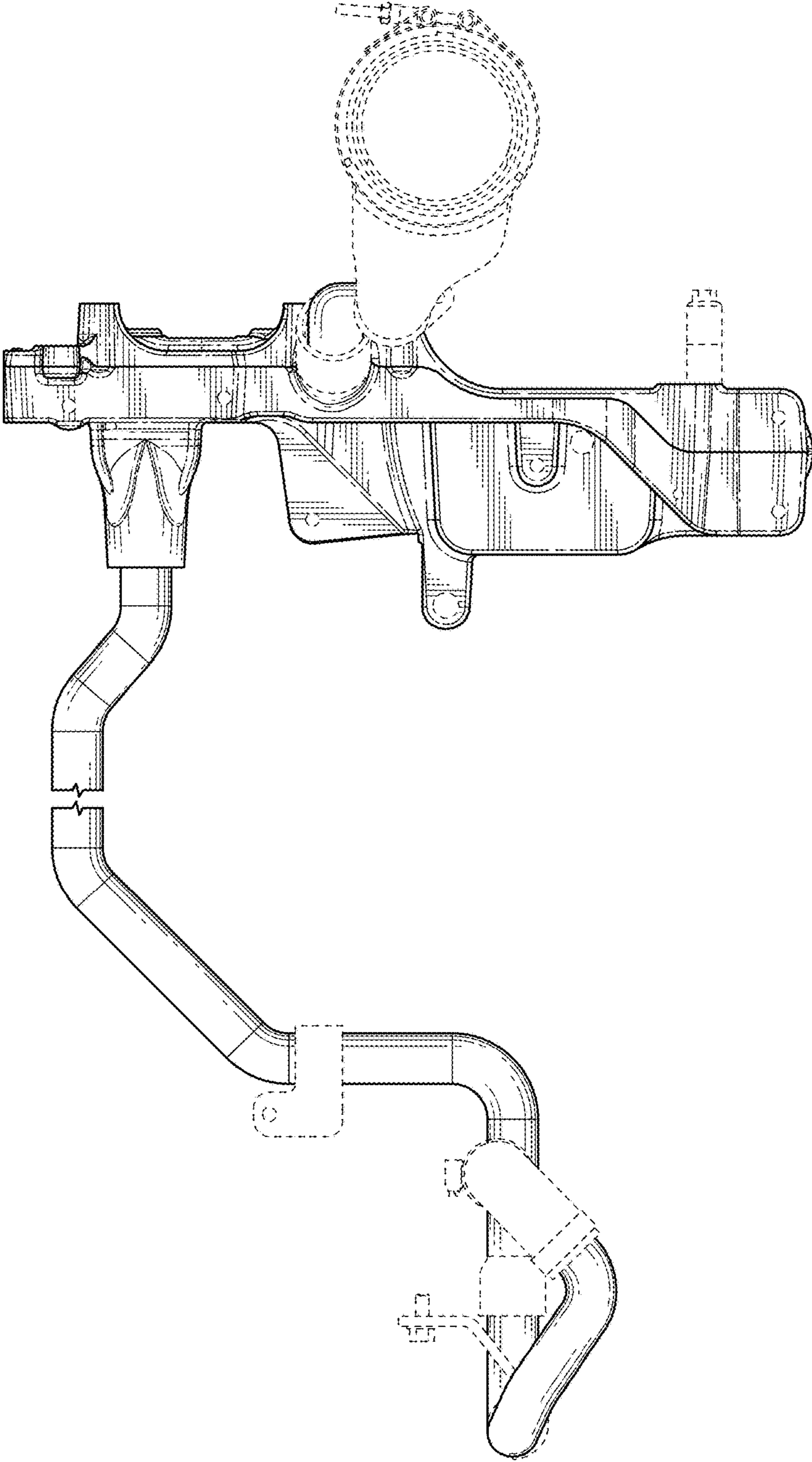


FIG. 4

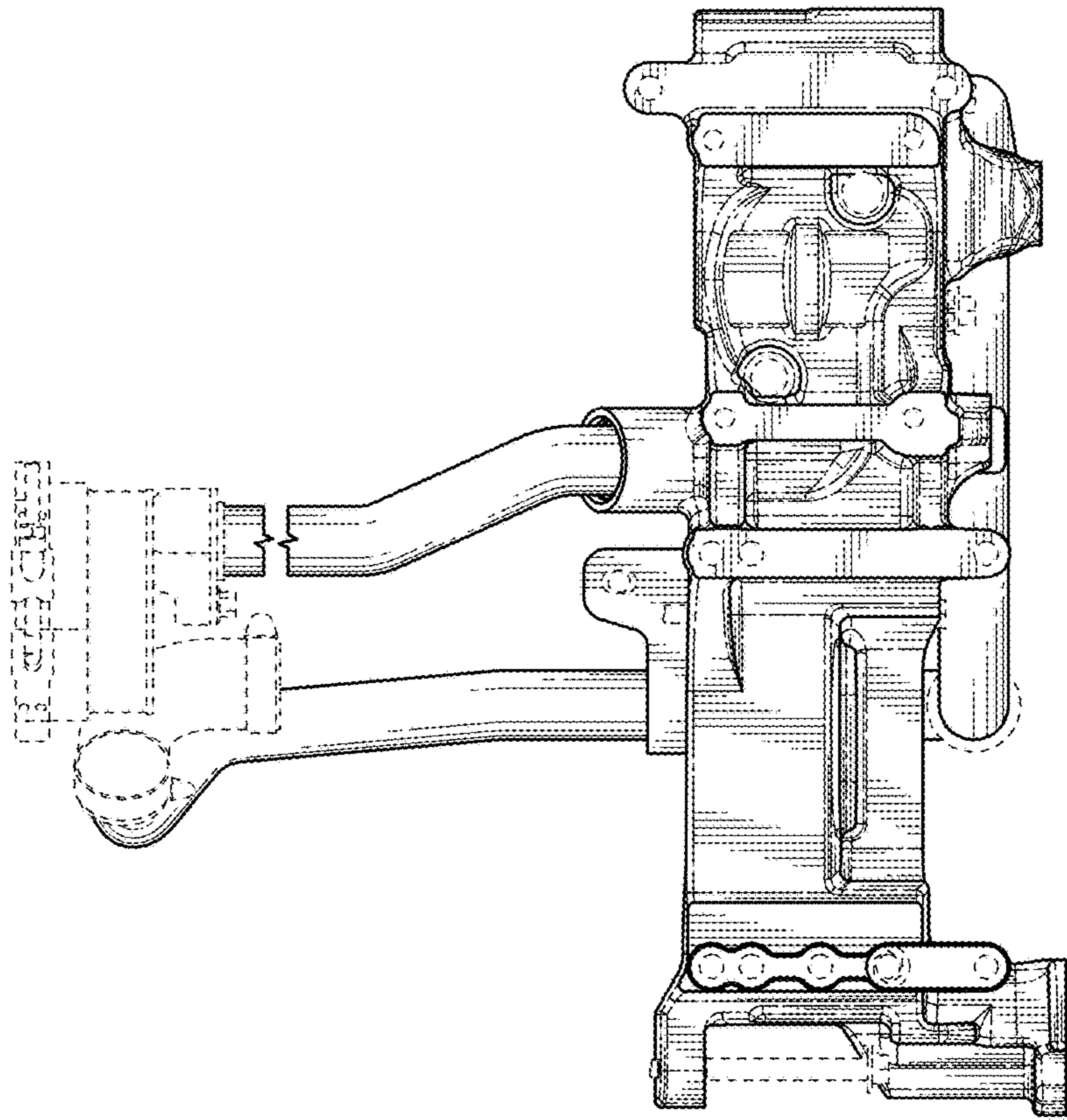


FIG. 5

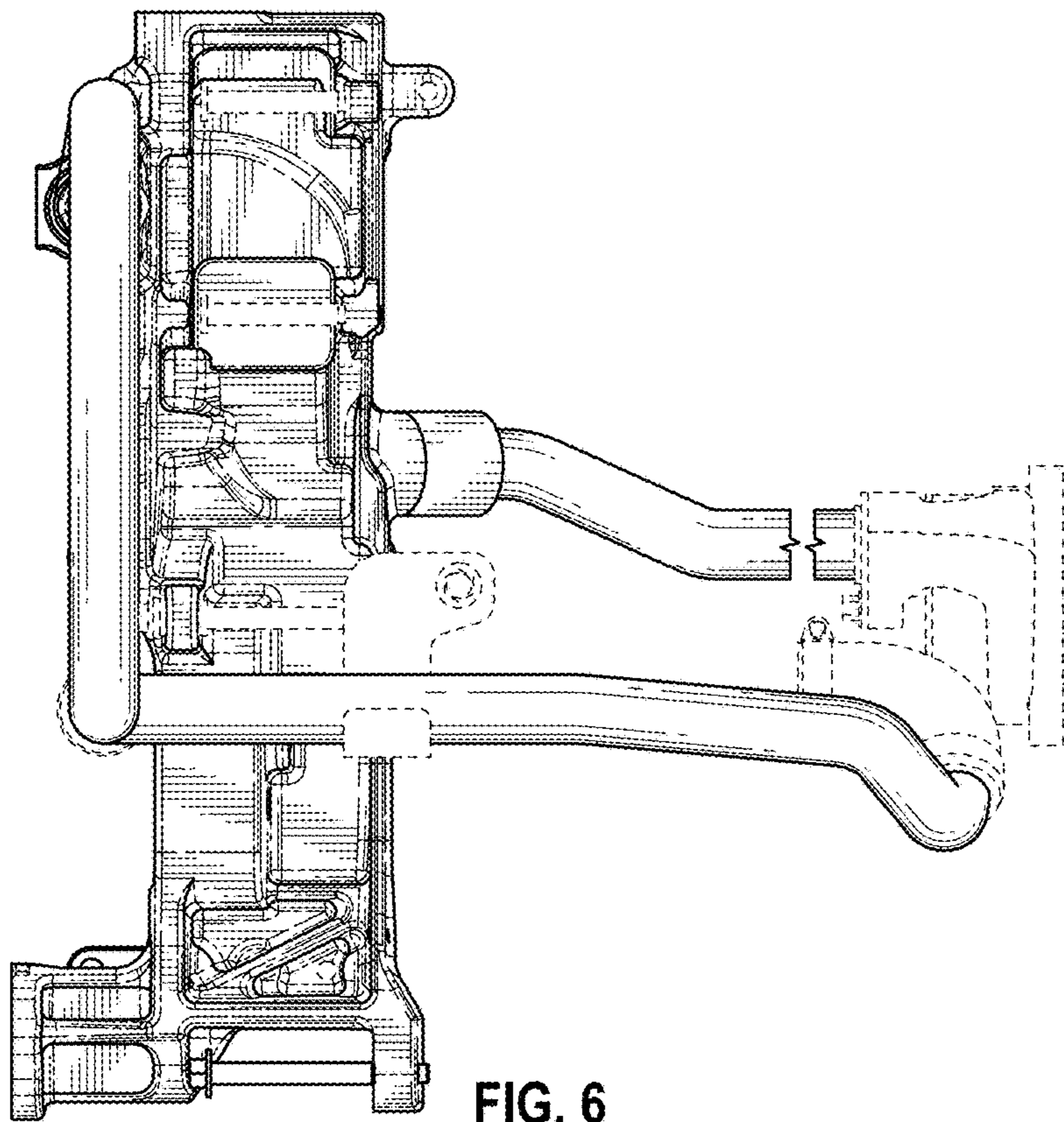


FIG. 6

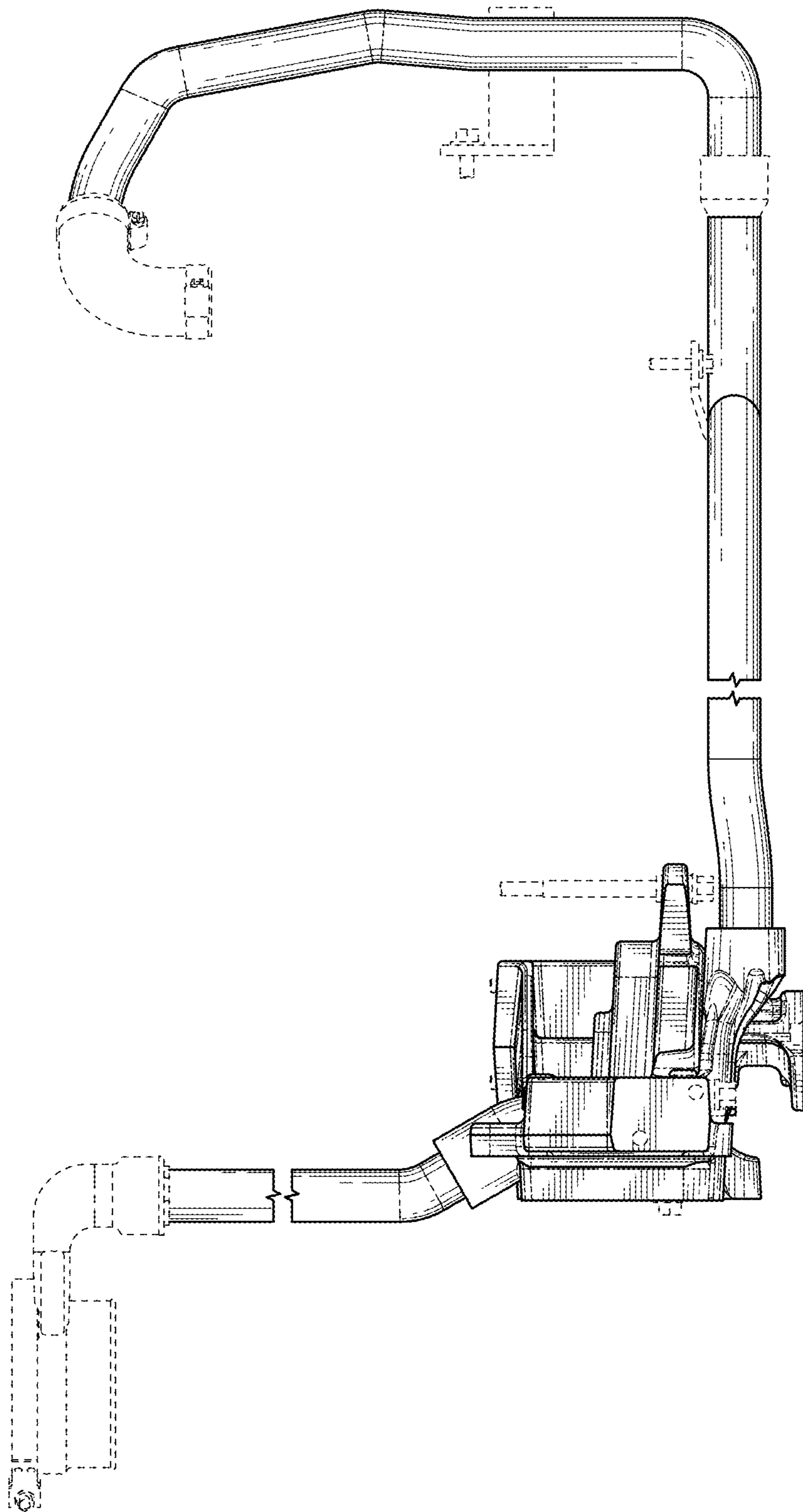


FIG. 7



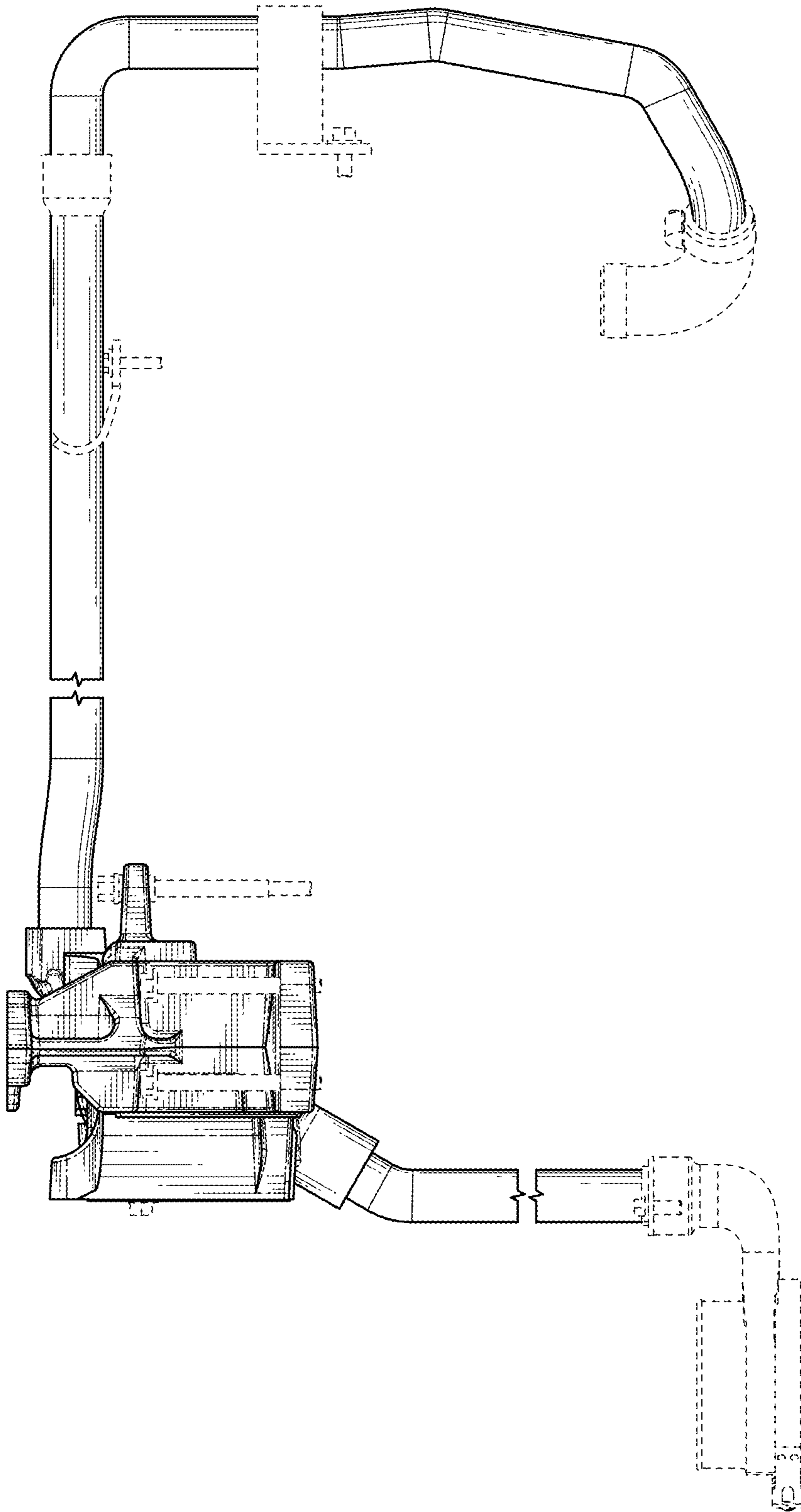


FIG. 8