

US00D791837S

(12) **United States Design Patent** (10) **Patent No.:** **US D791,837 S**
Alden et al. (45) **Date of Patent:** **** Jul. 11, 2017**

(54) **ACCESSORY SUPPORT BRACKET**

(71) Applicant: **Cummins Inc.**, Columbus, IN (US)

(72) Inventors: **Glen R. Alden**, Columbus, IN (US);
Kristopher D. Bunk, Warren, PA (US);
Christopher Swearingen, Jamestown,
NY (US); **John E. Zellhart**, Columbus,
IN (US); **Jonathan Moran**, Columbus,
IN (US); **Suhas Subramanya Bhat**,
Peoria, IL (US); **Robert D. Rogers**,
Westport, IN (US); **George D'Angelo**,
Jamestown, NY (US)

(73) Assignee: **Cummins Inc.**, Columbus, IN (US)

(**) Term: **15 Years**

(21) Appl. No.: **29/553,378**

(22) Filed: **Feb. 1, 2016**

(51) **LOC (10) Cl.** **15-01**

(52) **U.S. Cl.**
USPC **D15/5**

(58) **Field of Classification Search**
USPC D15/5; D8/354, 356
CPC B60K 5/12; B60K 13/06; F02B 67/08;
F16M 7/00; B60R 11/00; B60R
2011/0038; B60R 2011/0288; B60R
13/0838

See application file for complete search history.

(56) **References Cited**

U.S. PATENT DOCUMENTS

3,730,147	A	5/1973	Buchwald	
D250,805	S *	1/1979	Mygind	D8/354
4,440,555	A	4/1984	Chichester	
5,245,960	A	9/1993	Macier et al.	
D362,384	S *	9/1995	Middlebrook	D8/354
D383,140	S *	9/1997	Middlebrook	D15/5
6,244,239	B1	6/2001	Sisco et al.	
6,780,215	B2	8/2004	Keen et al.	
7,185,639	B1	3/2007	Roche et al.	

D582,431	S *	12/2008	Chisenhall	D15/5
D731,554	S *	6/2015	Turuvekere Gurudatt	D15/4
D772,041	S *	11/2016	Miner	D8/356
2007/0277642	A1 *	12/2007	O'Neill	B60T 7/042 74/560
2008/0054682	A1 *	3/2008	Ellison	B62D 25/145 296/193.02
2012/0067323	A1	3/2012	Patwardhan et al.	
2014/0238330	A1	8/2014	Matsuzaki et al.	
2016/0123502	A1 *	5/2016	Maki	B61H 11/06 29/525.01

OTHER PUBLICATIONS

International Search Report and Written Opinion for PCT Application No. PCT/US2016/15919, dated Jun. 9, 2016, 10 pages.
U.S. Appl. No. 29/553,387, filed Feb. 1, 2016, Cummins Inc.

* cited by examiner

Primary Examiner — T. Chase Nelson

Assistant Examiner — Ania Aman

(74) *Attorney, Agent, or Firm* — Foley & Lardner LLP

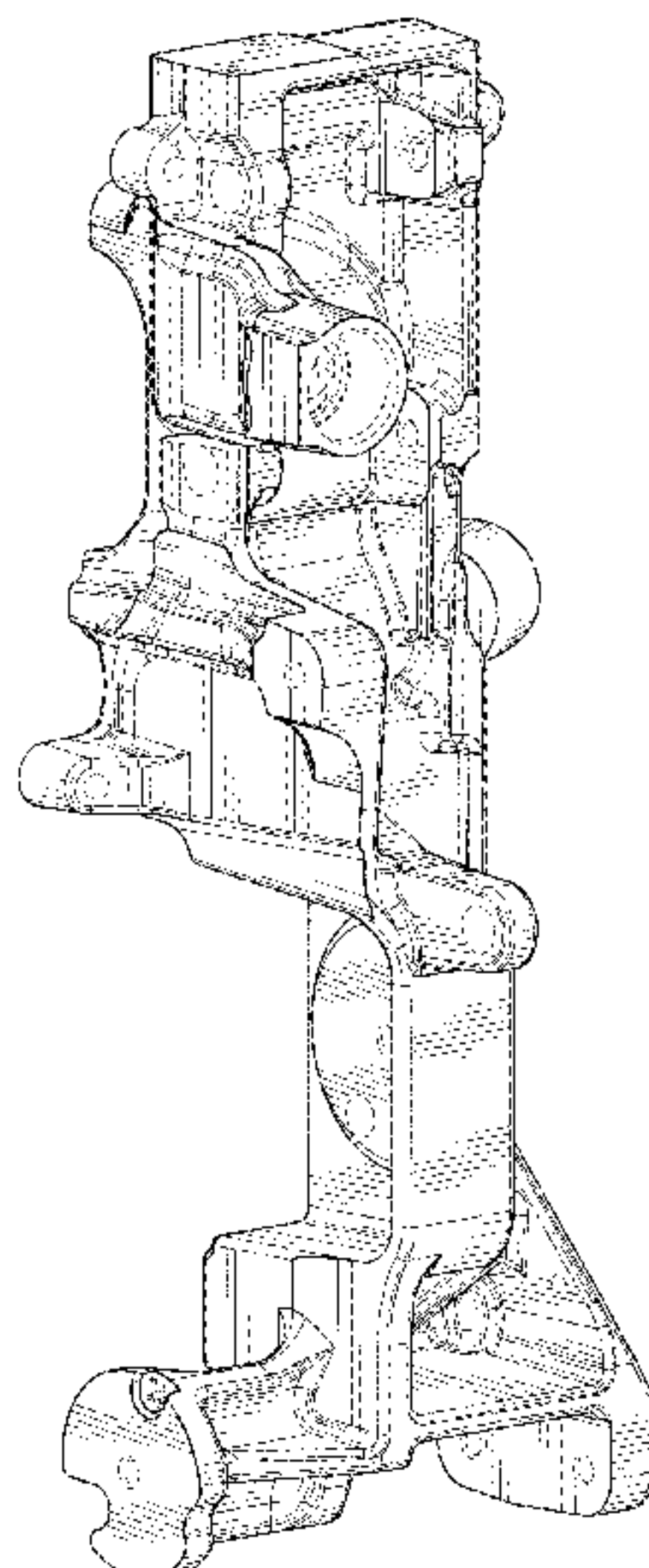
(57) **CLAIM**

We claim the ornamental design for an accessory support bracket, as shown and described.

DESCRIPTION

FIG. 1 is a top, front, left perspective view of the accessory support bracket showing our new design; FIG. 2 is a top, rear, right perspective view thereof; FIG. 3 is a left side elevation view thereof; FIG. 4 is a right side elevation view thereof; FIG. 5 is a rear elevation view thereof; FIG. 6 is a front elevation view thereof; FIG. 7 is a top plan view thereof; and, FIG. 8 is a bottom plan view thereof. In the drawings, the broken lines depict portions of the accessory support bracket that form no part of the claimed design.

1 Claim, 5 Drawing Sheets



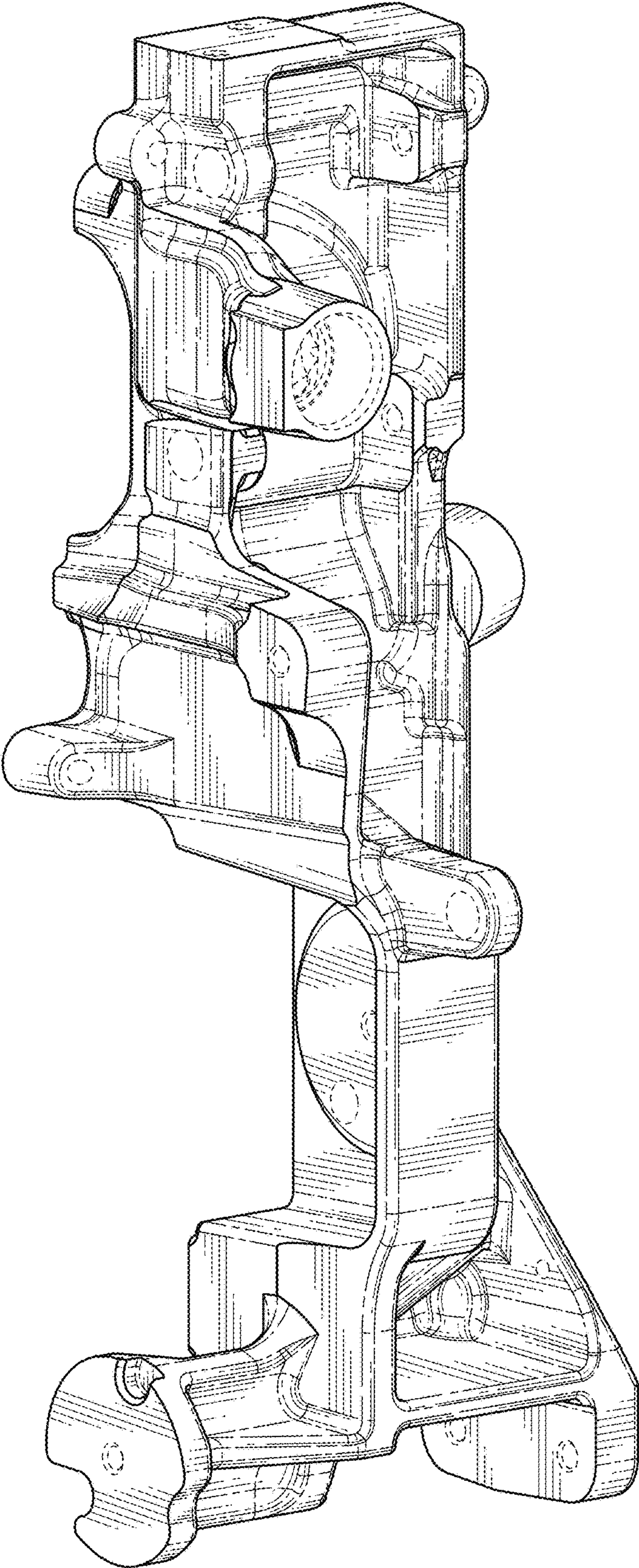


FIG. 1

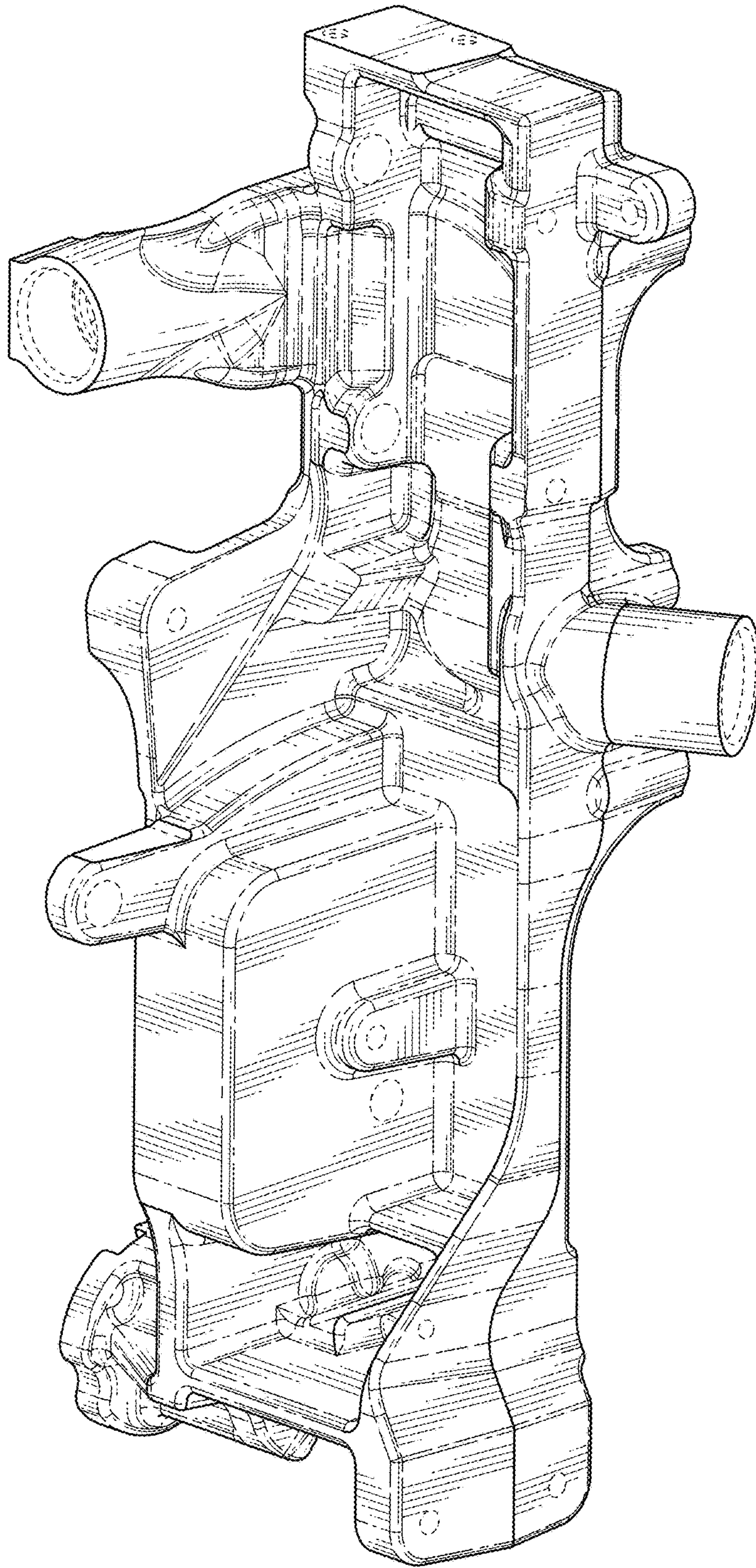


FIG. 2

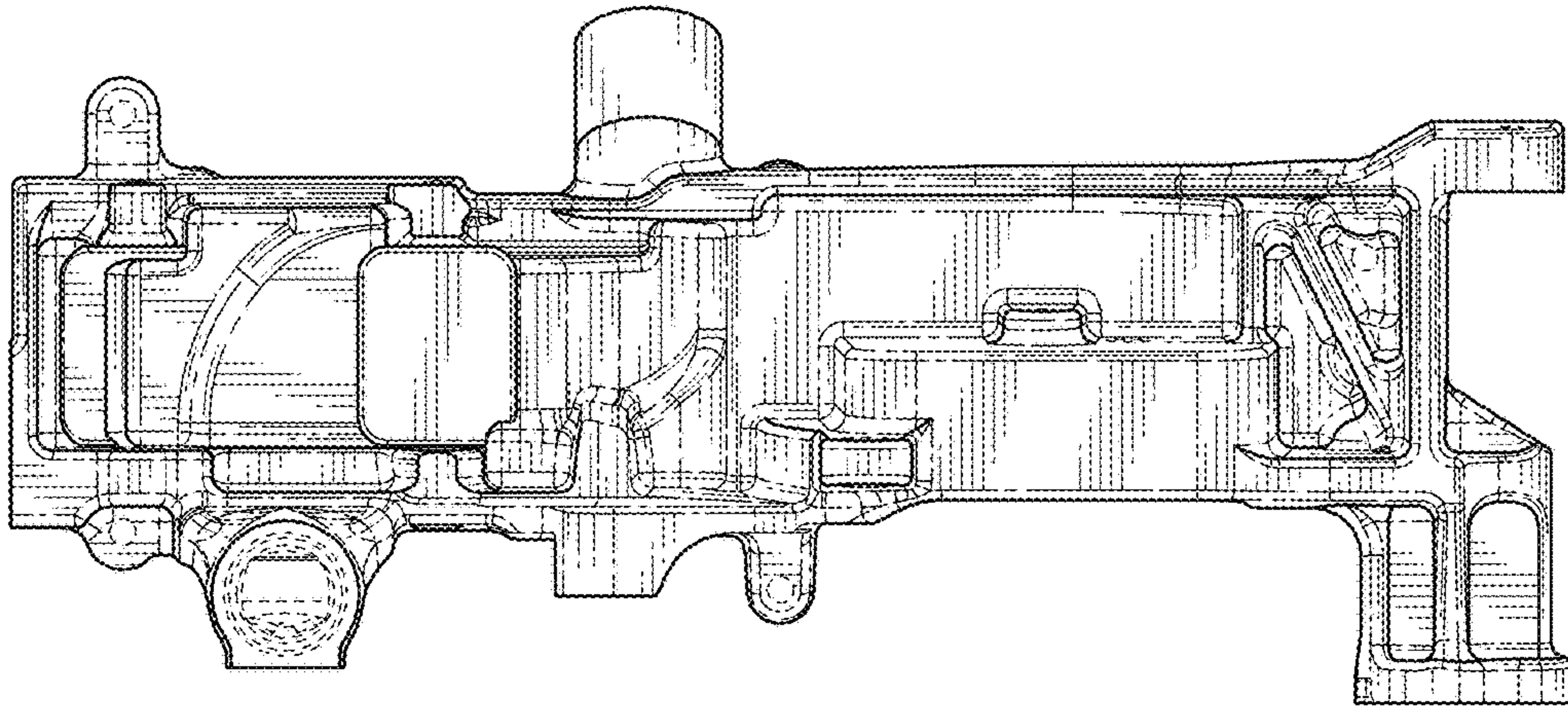


FIG. 4

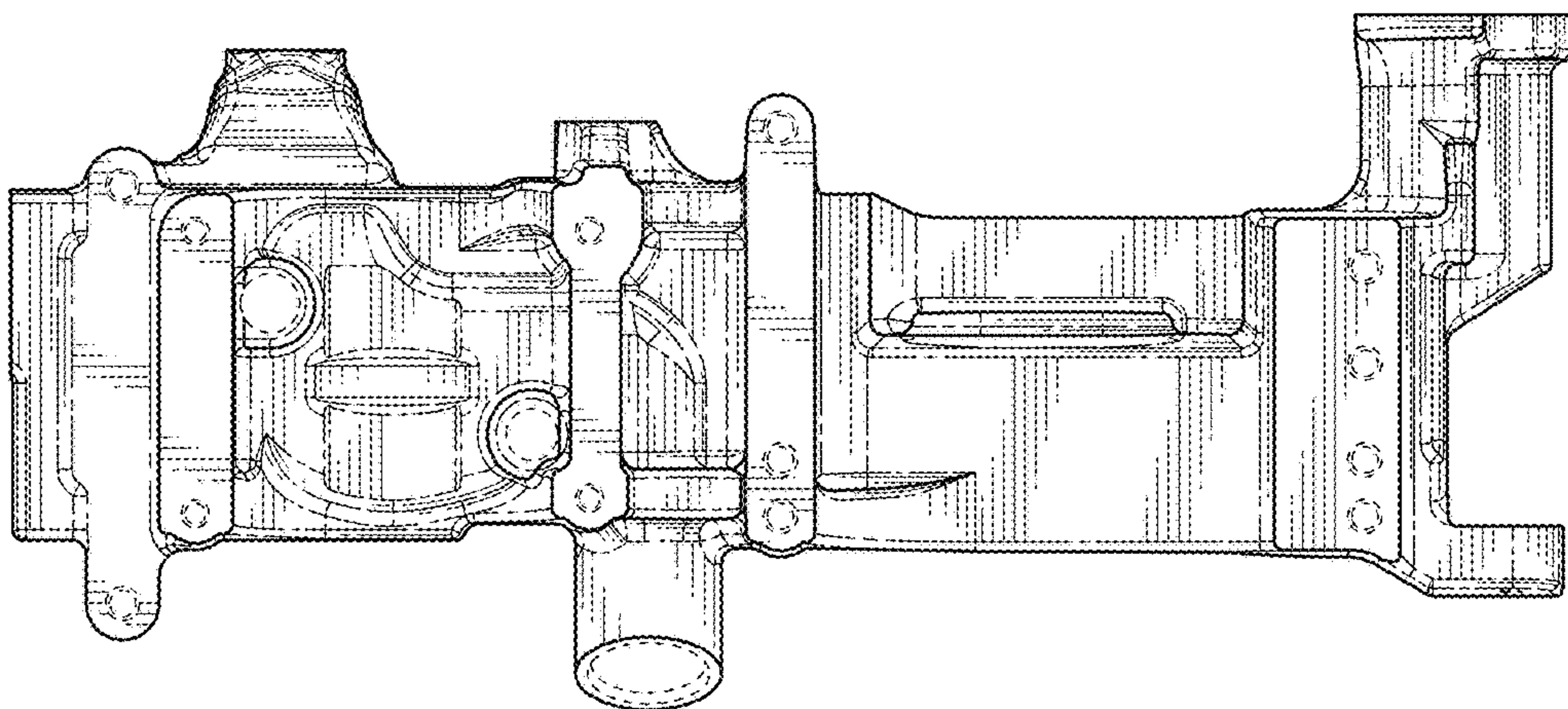


FIG. 3

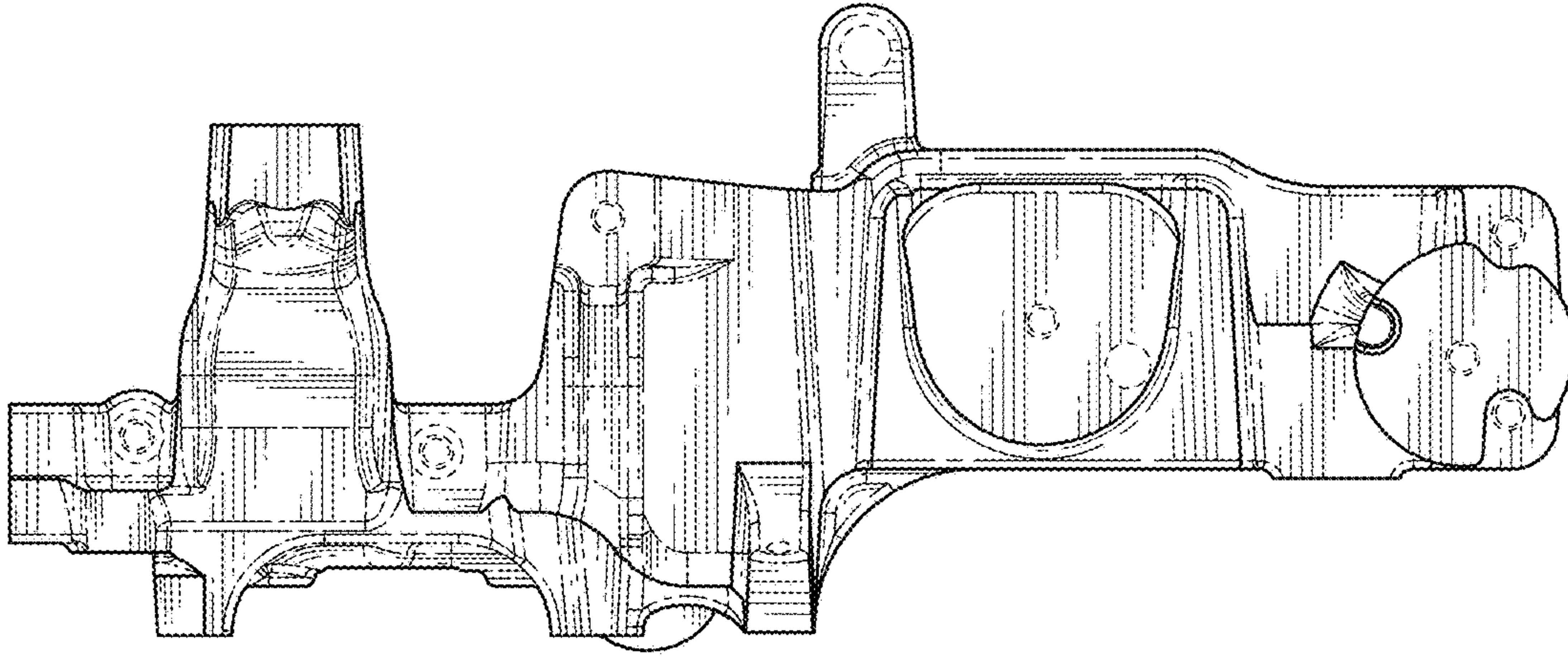


FIG. 6

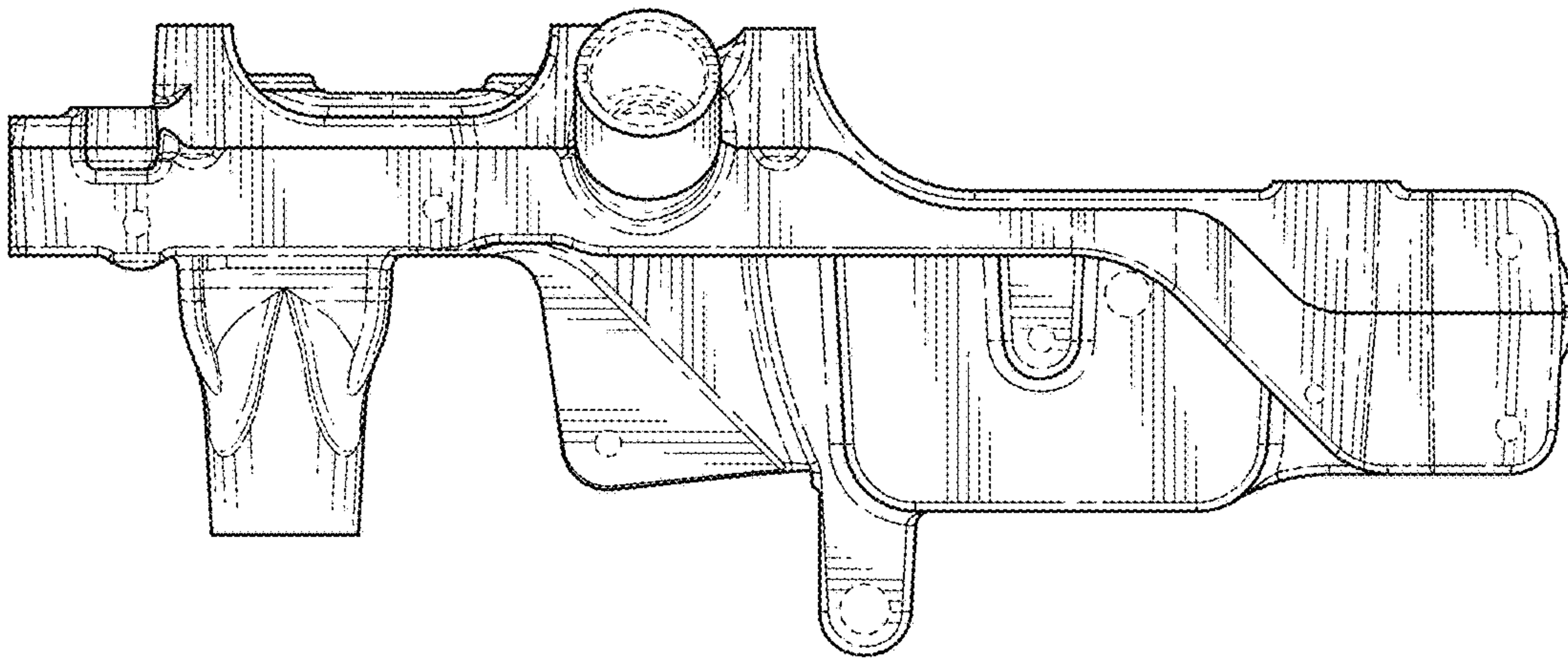


FIG. 5

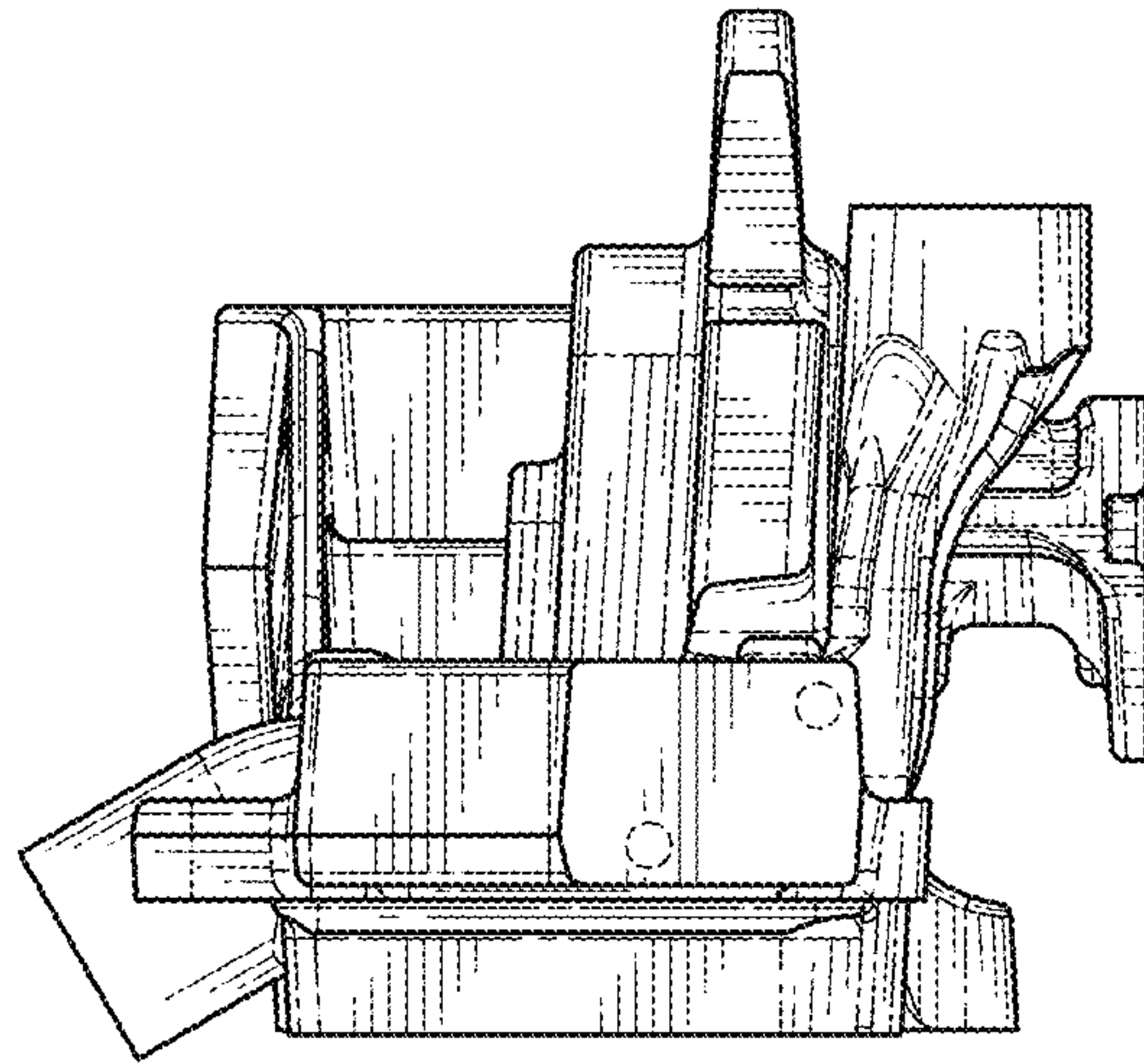


FIG. 7

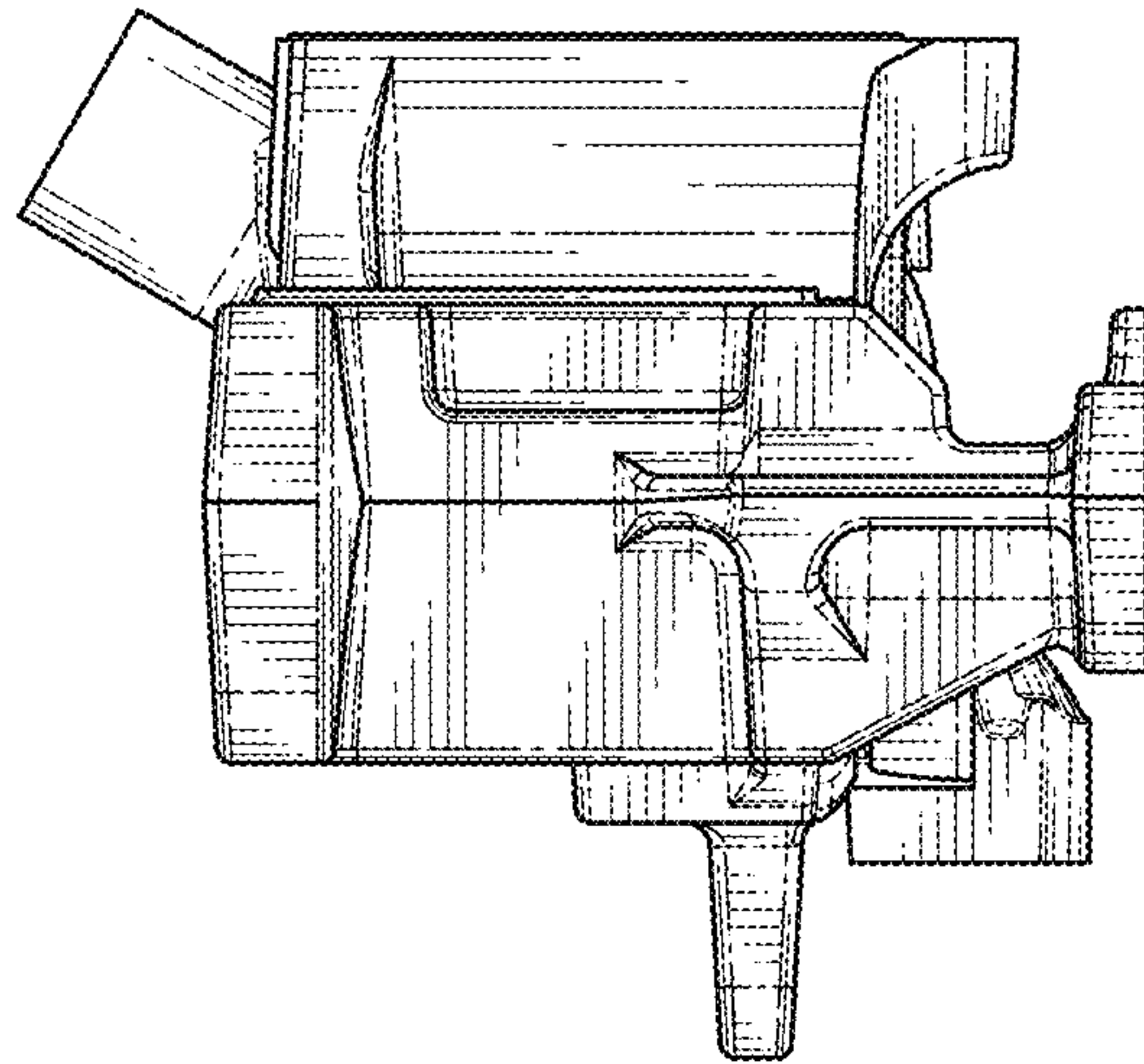


FIG. 8