



US00D791817S

(12) **United States Design Patent**
Sun

(10) **Patent No.:** **US D791,817 S**

(45) **Date of Patent:** **** Jul. 11, 2017**

(54) **DISPLAY SCREEN OR PORTION THEREOF WITH TRANSITIONAL GRAPHICAL USER INTERFACE**

(71) Applicant: **Sears Brands, L.L.C.**, Hoffman Estates, IL (US)

(72) Inventor: **Zhe Sun**, New York, NY (US)

(73) Assignee: **SEARS BRANDS, L.L.C.**, Hoffman Estates, IL (US)

(**) Term: **15 Years**

(21) Appl. No.: **29/554,487**

(22) Filed: **Feb. 11, 2016**

(51) **LOC (10) Cl.** **14-04**

(52) **U.S. Cl.**
USPC **D14/488**

(58) **Field of Classification Search**
USPC D14/485-495
CPC H04M 1/72561; G06Q 30/0601; G06Q 30/0641; G06F 3/0481
See application file for complete search history.

(56) **References Cited**

U.S. PATENT DOCUMENTS

D593,576 S *	6/2009	Ball	D14/486
D643,436 S *	8/2011	Lemay	D14/486
D700,205 S *	2/2014	Hartley	D14/487
D704,206 S *	5/2014	Jung	D14/486
9,047,631 B2 *	6/2015	Sridharan	G06Q 30/016
D742,392 S *	11/2015	Cho	D14/485
D743,414 S *	11/2015	Shunock	D14/485
D744,000 S *	11/2015	Villamor	D14/488
D747,729 S *	1/2016	Smirin	G06F 3/04817 D14/485
D750,097 S *	2/2016	Kim	D14/485
D754,151 S *	4/2016	Yoon	D14/485
D757,758 S *	5/2016	Kim	D14/485
D759,067 S *	6/2016	Kim	D14/486

D759,662 S *	6/2016	Panjabi	D14/485
D761,819 S *	7/2016	Lee	D14/485
D766,923 S *	9/2016	Ostio	D14/485
D767,621 S *	9/2016	Gagnier	D14/488
D768,669 S *	10/2016	Pranger	D14/486
D773,497 S *	12/2016	Andress	D14/486
D773,516 S *	12/2016	Sun	D14/486
D775,651 S *	1/2017	Jin	D14/486
2013/0132238 A1 *	5/2013	Evans	G06Q 30/0641 705/26.61
2014/0059466 A1 *	2/2014	Mairs	G06F 3/0482 715/771

(Continued)

Primary Examiner — Robin V Webster

Assistant Examiner — Rachel Voorhies

(74) *Attorney, Agent, or Firm* — McAndrews, Held & Malloy, Ltd.

(57) **CLAIM**

The ornamental design for a display screen or portion thereof with transitional graphical user interface, as shown and described.

DESCRIPTION

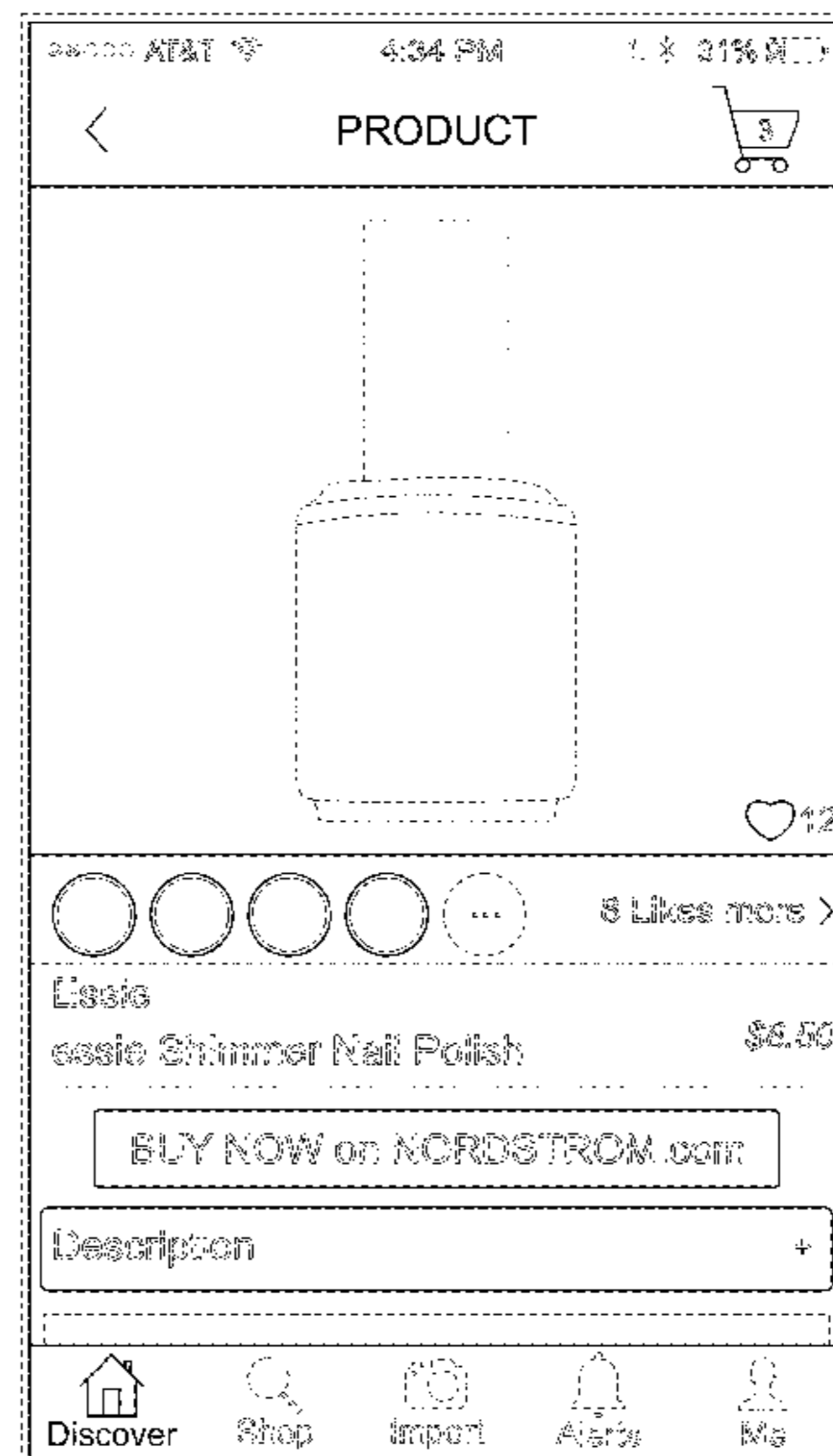
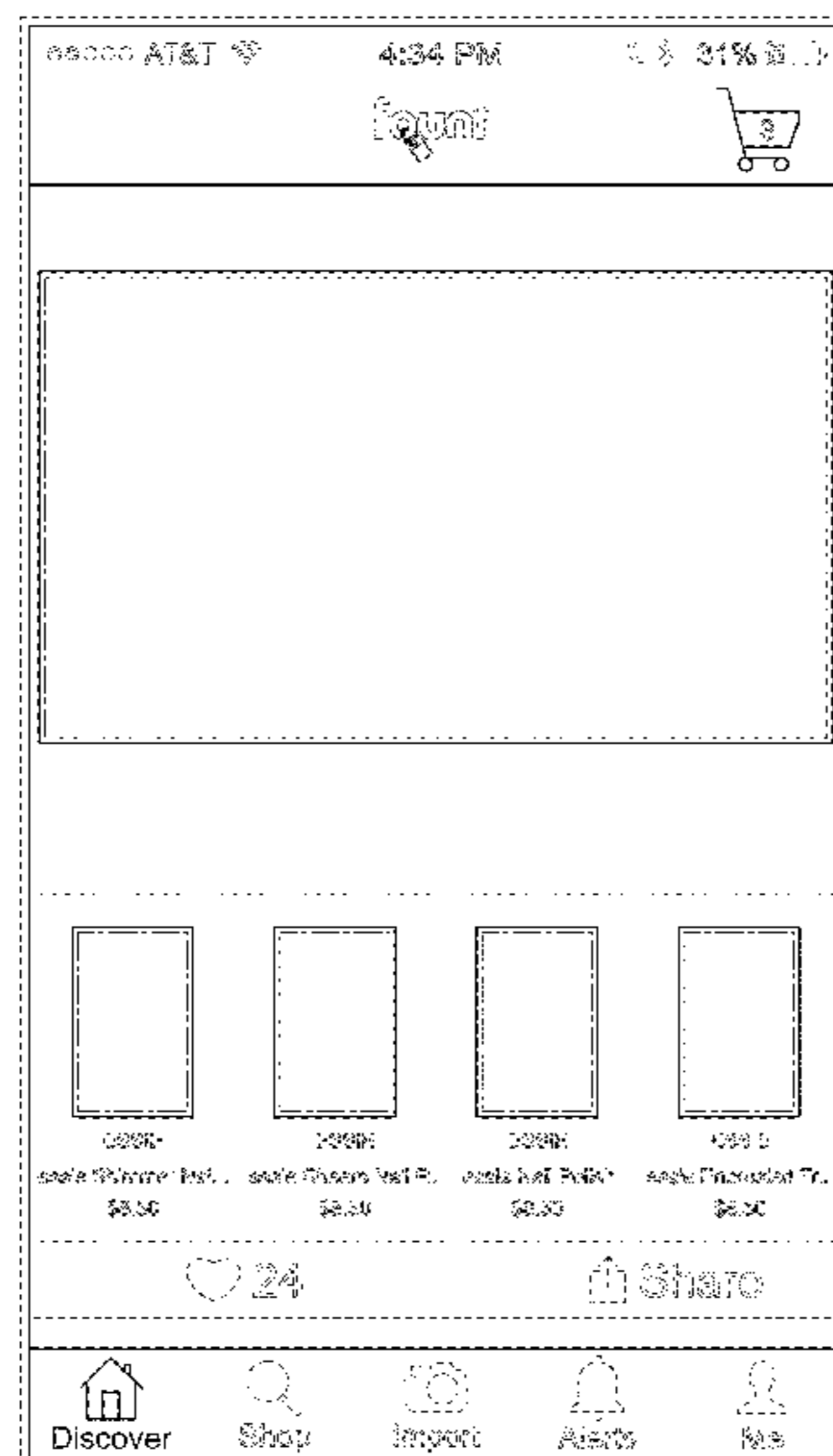
FIG. 1 is the first image in a sequence for a display screen or portion thereof with transitional graphical user interface showing my new design; and,

FIG. 2 is the second image thereof.

The dash-dash broken lines around the figures show a display screen or portion thereof that forms no part of the claimed design; the dash-dash broken lines within the figures show unclaimed portions of the graphical user interface. The dot-dash broken lines within the figures represent an unclaimed boundary line that forms no part of the claimed design.

The appearance of the transitional image sequentially transitions between the images shown in FIGS. 1-2. The process or period in which one image transitions to another image forms no part of the claimed design.

1 Claim, 2 Drawing Sheets



(56)

References Cited

U.S. PATENT DOCUMENTS

2014/0189574 A1* 7/2014 Stallings G06F 3/0482
715/781
2014/0207617 A1* 7/2014 An G06Q 30/0641
705/26.61
2014/0222685 A1* 8/2014 Middleton G06Q 30/0261
705/50
2014/0279208 A1* 9/2014 Nickitas G06Q 30/0631
705/26.7
2014/0304122 A1* 10/2014 Rhoads G06Q 30/0643
705/27.2
2015/0112790 A1* 4/2015 Wolinsky G06Q 30/0238
705/14.38
2015/0178822 A1* 6/2015 Babiarz G06Q 30/00
705/26.7
2016/0117744 A1* 4/2016 Oayda G06Q 20/18
705/26.43
2016/0188708 A1* 6/2016 Glover G06F 17/30902
707/722

* cited by examiner

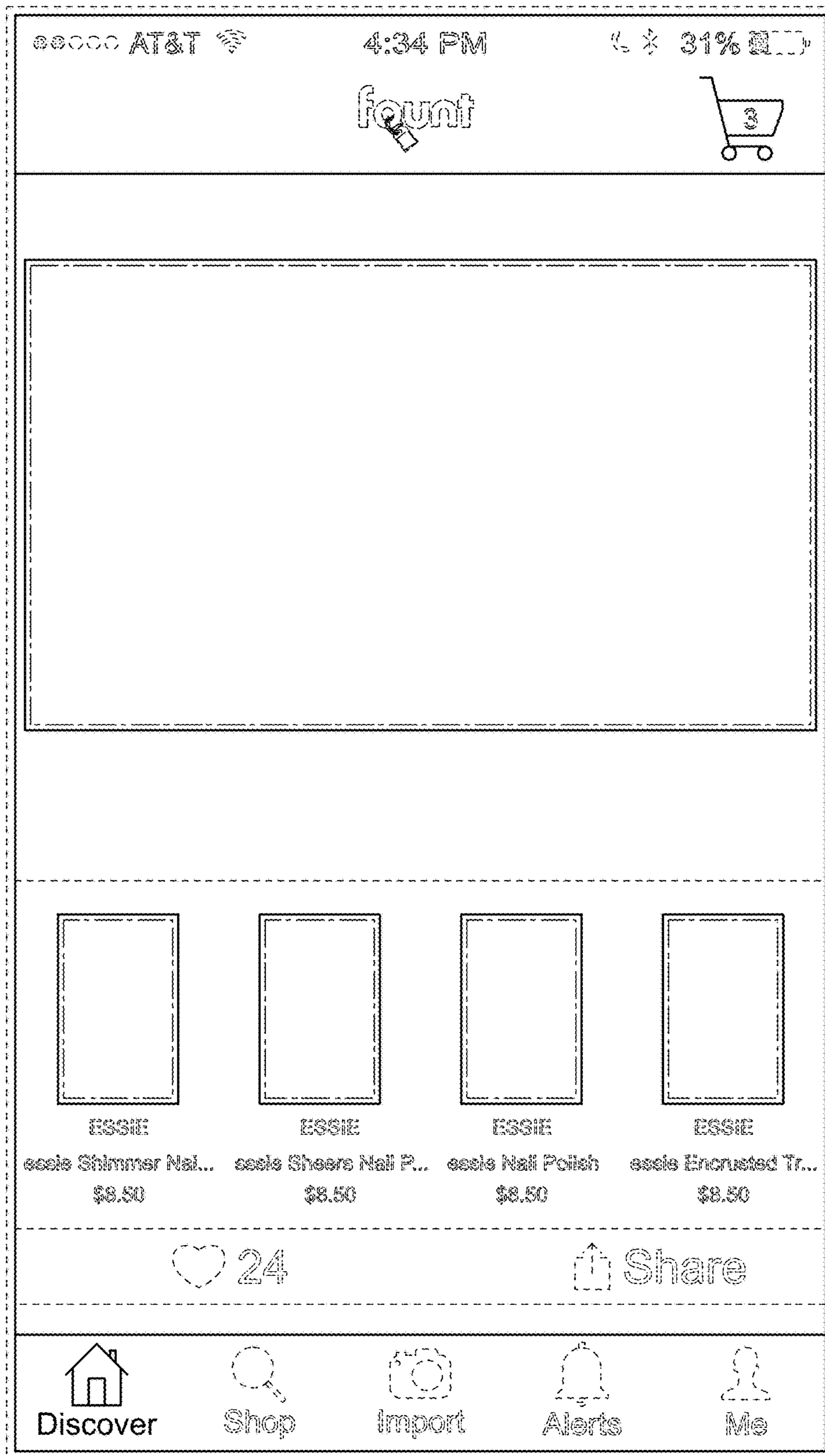


FIG. 1

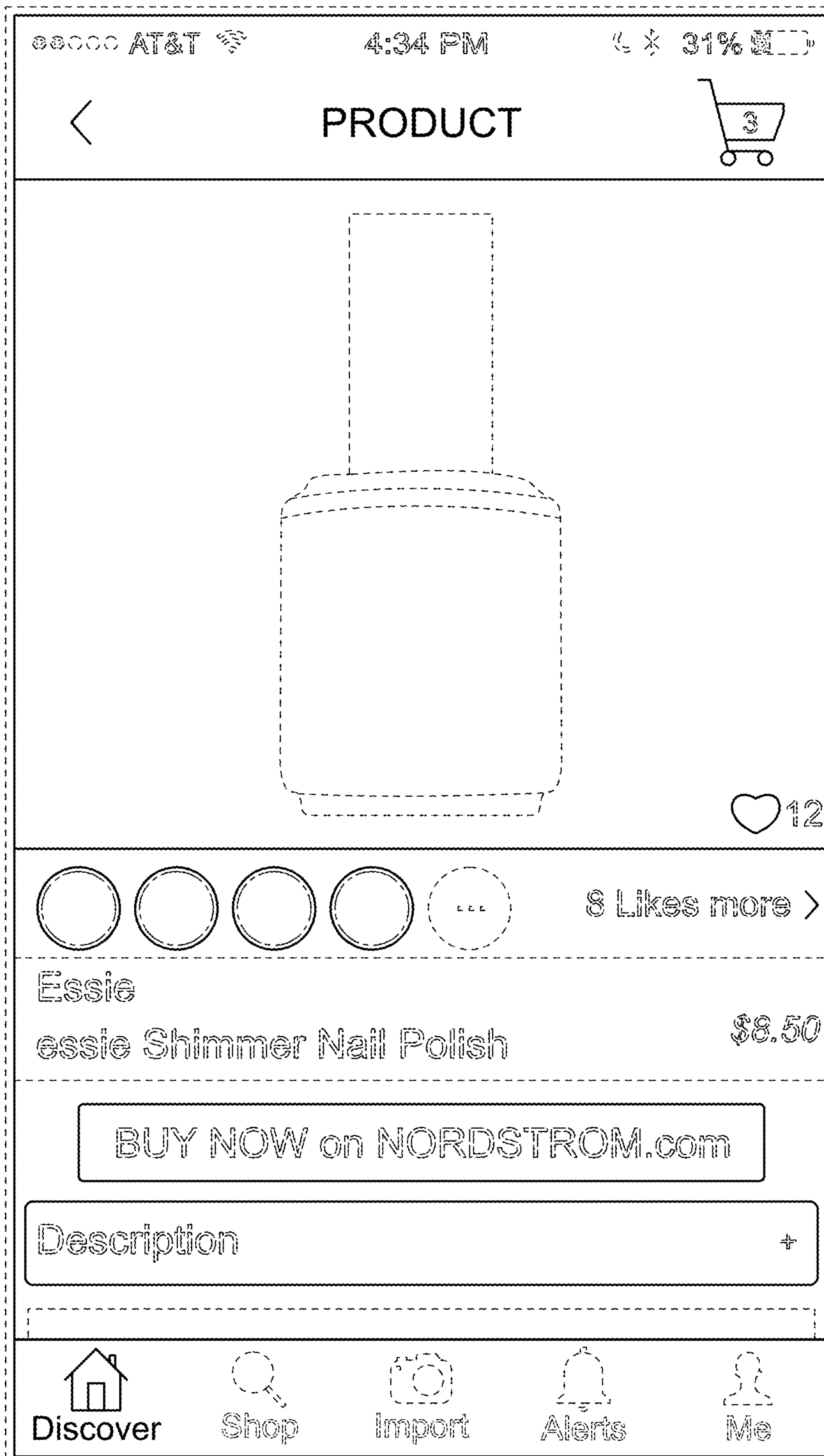


FIG. 2