

US00D791815S

(12) **United States Design Patent**
Dzjind et al.

(10) **Patent No.:** **US D791,815 S**
(45) **Date of Patent:** **** Jul. 11, 2017**

(54) **DISPLAY SCREEN WITH GRAPHICAL USER INTERFACE**

(71) Applicant: **Microsoft Corporation**, Redmond, WA (US)

(72) Inventors: **Telmen Dzjind**, Zuid (NL); **Anthony J. Giardini**, Seattle, WA (US); **Tsitsi Isabel Gora**, Bellevue, WA (US); **Xiaoji Chen**, Seattle, WA (US)

(73) Assignee: **Microsoft Corporation**, Redmond, WA (US)

(**) Term: **15 Years**

(21) Appl. No.: **29/546,651**

(22) Filed: **Nov. 24, 2015**

(51) **LOC (10) Cl.** **14-04**

(52) **U.S. Cl.**

USPC **D14/488**

(58) **Field of Classification Search**

USPC D14/485-495

CPC A63F 2300/66; A63F 2300/8082; A63F 13/00; A63F 13/12; A63F 13/30; A63F 13/40

See application file for complete search history.

(56) **References Cited**

U.S. PATENT DOCUMENTS

- 1,672,666 A * 6/1928 Walsh G01R 1/08 116/305
- D390,214 S 2/1998 Miller
- 5,786,814 A 7/1998 Moran et al.
- 6,292,137 B1 * 9/2001 Agnew G01C 17/04 33/355 R
- D452,693 S * 1/2002 Mitchell D14/492
- D473,151 S * 4/2003 Shaland D10/103
- D496,940 S * 10/2004 Fetterman D14/485

- D552,121 S * 10/2007 Carl D14/488
- D553,143 S 10/2007 Blencowe
- D566,722 S * 4/2008 Jackson D14/489

(Continued)

OTHER PUBLICATIONS

GF LaserBolt GamerFuzion, How to configure your xbox one elite, Nov. 2, 2015, youtube.com [online], [site visited Oct. 13, 2016]. Available from Internet: <https://www.youtube.com/watch?v=7-u9BQ_GX3A>.*

(Continued)

Primary Examiner — Karen Kearney
Assistant Examiner — Katherine Holbrow

(74) *Attorney, Agent, or Firm* — Banner & Witcoff, Ltd.

(57) **CLAIM**

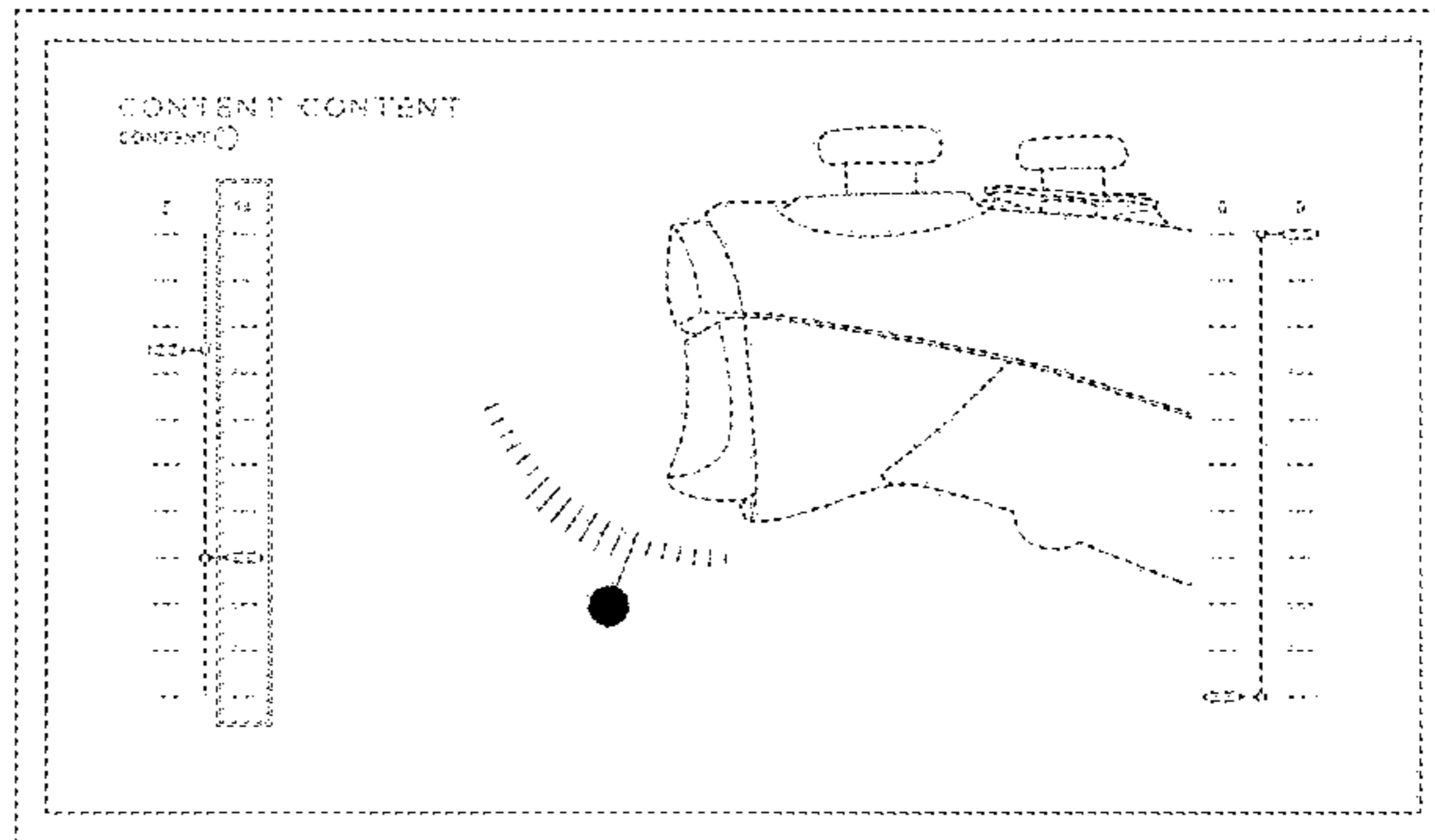
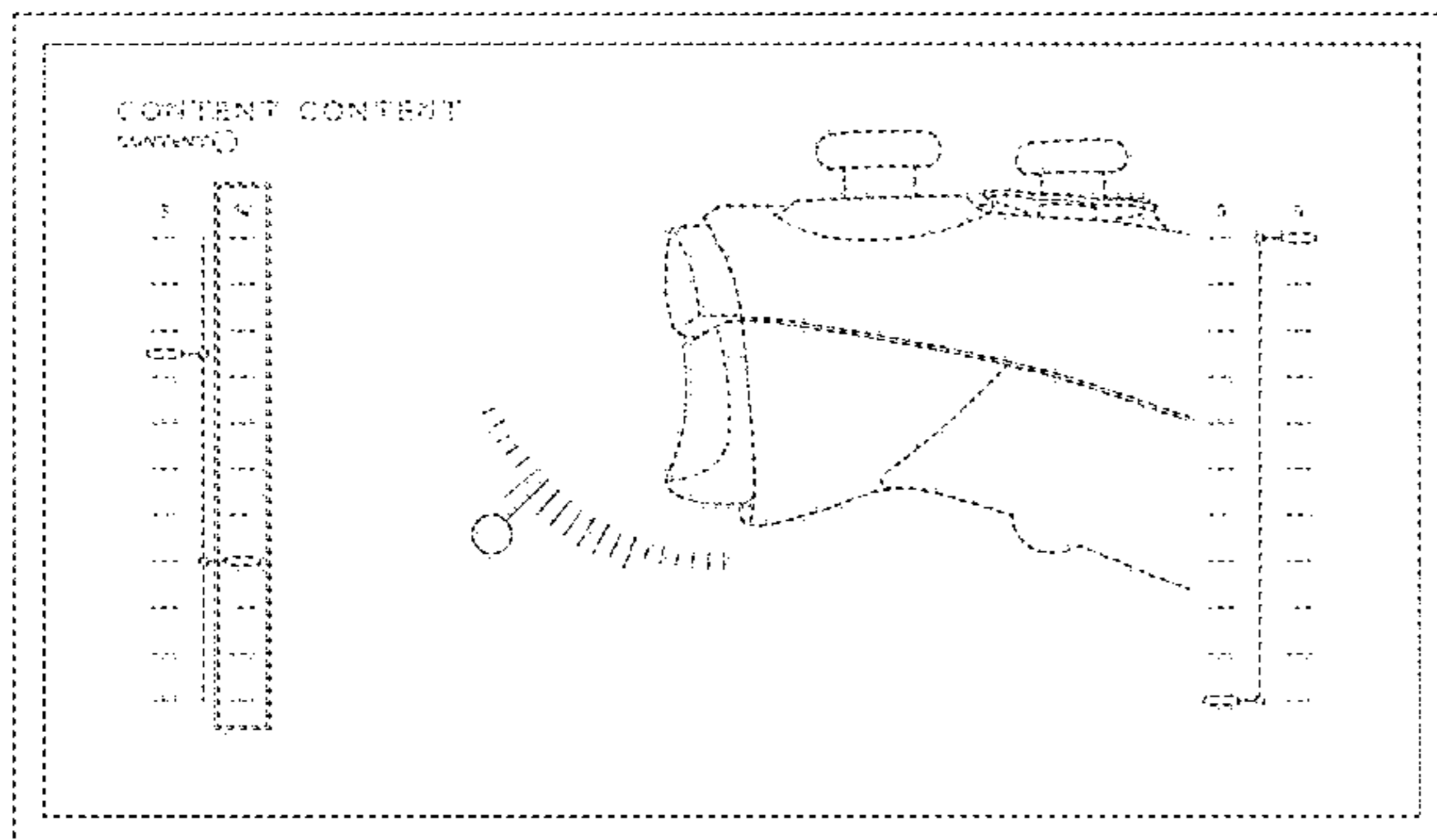
The ornamental design for a display screen with graphical user interface, as shown and described.

DESCRIPTION

FIG. 1 is the first image in a sequence for a display screen with graphical user interface showing our new design; FIG. 2 is the second image thereof; FIG. 3 is the third image thereof; FIG. 4 is the fourth image thereof; FIG. 5 is the fifth image thereof; FIG. 6 is the sixth image thereof; FIG. 7 is the seventh image thereof; FIG. 8 is the eighth image thereof; and, FIG. 9 is the ninth image thereof.

The appearance of the animated graphical user interface sequentially transitions between the images shown in FIGS. 1-9. The process or period in which one image transitions to another forms no part of the claimed design. The broken line showing of the remainder of the user interface forms no part of the claimed design. The broken-line showing of the remainder of the display screen is for environmental purposes only and forms no part of the claimed design.

1 Claim, 9 Drawing Sheets



(56)

References Cited

U.S. PATENT DOCUMENTS

D589,973 S 4/2009 Okada
 D618,695 S 6/2010 Bennett et al.
 D625,733 S * 10/2010 Anzures D14/486
 D634,332 S 3/2011 van der Spek
 D664,991 S * 8/2012 Scholpp D14/492
 D682,850 S * 5/2013 Del Pasqua D14/485
 D686,244 S * 7/2013 Moriya D14/489
 D693,834 S * 11/2013 Ito D12/192
 D694,252 S 11/2013 Helm
 D697,076 S * 1/2014 Oda D14/486
 D699,750 S * 2/2014 Pearson D14/488
 D701,226 S * 3/2014 Jung D14/486
 D713,411 S * 9/2014 Gall D14/485
 D713,412 S * 9/2014 Gall D14/485
 8,880,270 B1 11/2014 Ferguson et al.
 D723,574 S * 3/2015 Yamazaki D14/485
 D726,213 S 4/2015 Milliotte et al.
 D727,948 S 4/2015 Milliotte et al.
 D727,949 S 4/2015 Milliotte et al.
 D733,181 S 6/2015 Manfredo et al.
 D734,773 S 7/2015 Barbato
 D741,879 S 10/2015 Chapman et al.
 D744,494 S * 12/2015 Roberts D14/485
 D744,529 S * 12/2015 Guzman D14/489
 D744,714 S 12/2015 Yamanaka et al.
 D751,574 S * 3/2016 Forsblom D14/485
 D752,637 S * 3/2016 Yun D14/489
 D753,138 S * 4/2016 Kim D14/485
 D753,678 S * 4/2016 Clarke D14/485

D753,684 S * 4/2016 Rahn D14/486
 D753,711 S * 4/2016 Dye D14/488
 D754,714 S 4/2016 Zhang et al.
 D755,831 S * 5/2016 Tsuruta D14/487
 D757,757 S * 5/2016 Jung D14/485
 D758,403 S * 6/2016 Lee D14/486
 D761,864 S * 7/2016 Kim D14/492
 D764,549 S * 8/2016 Cavander G06F 3/04817
 D14/494
 D765,096 S 8/2016 Yang
 D765,681 S * 9/2016 Nagel D14/486
 D768,718 S * 10/2016 Shin D14/492
 2012/0142429 A1 6/2012 Muller
 2016/0061593 A1 * 3/2016 Zhuang G01C 9/18
 356/138

OTHER PUBLICATIONS

Alex, Xbox One Elite Controller vs Scuf One, Oct. 28, 2015, youtube.com [online], [site visited Oct. 24, 2016]. Available from Internet: <<https://www.youtube.com/watch?v=0PmbgDpRNHQ>>.*
 Nov. 4, 2016—(US) Non Final Office Action—U.S. Appl. No. 24/546,646, filed Nov. 24, 2015; Inv.: Telmen Dzjind.
 Nov. 4, 2016—(US) Non Final Office Action—U.S. Appl. No. 24/546,661, filed Nov. 24, 2015; Inv.: Telmen Dzjind.
 Nov. 10, 2016—(US) Notice of Allowance—U.S. Appl. No. 24/546,656, filed Nov. 24, 2015; Inv.: Telmen Dzjind.
 Nov. 10, 2016—(US) Notice of Allowance—U.S. Appl. No. 24/546,664, filed Nov. 24, 2015; Inv.: Telmen Dzjind.

* cited by examiner

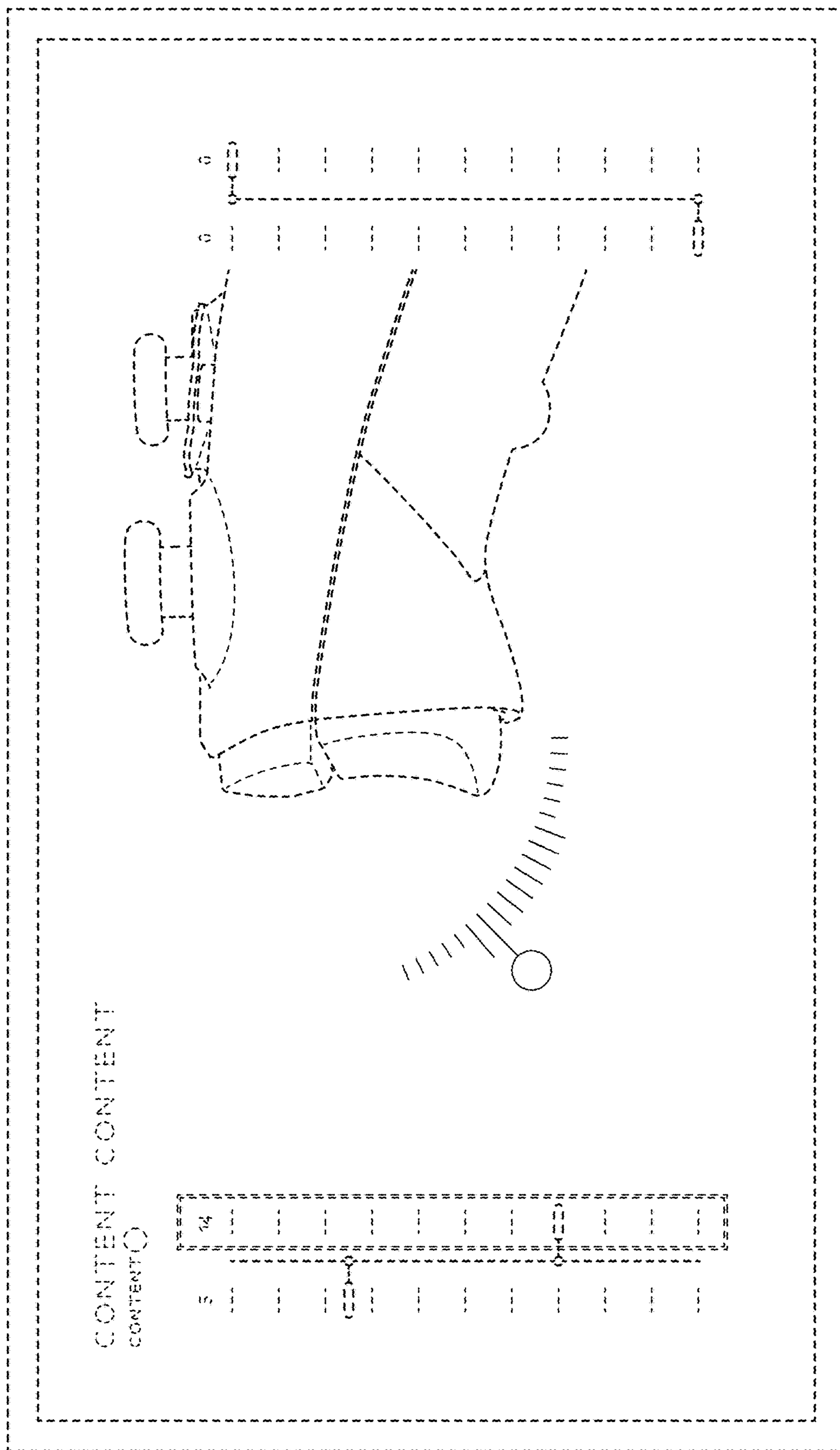


FIG. 1

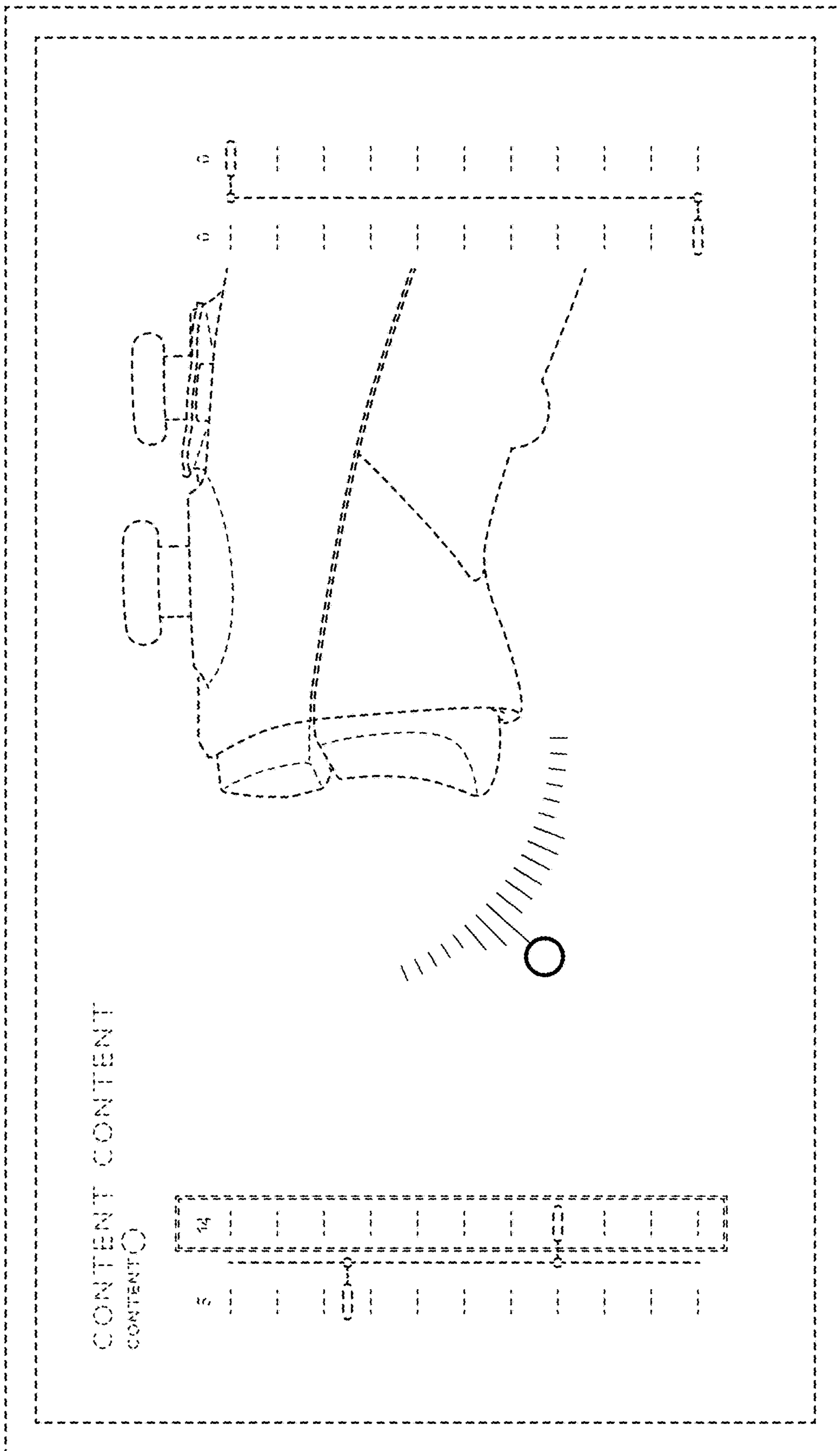


FIG. 2

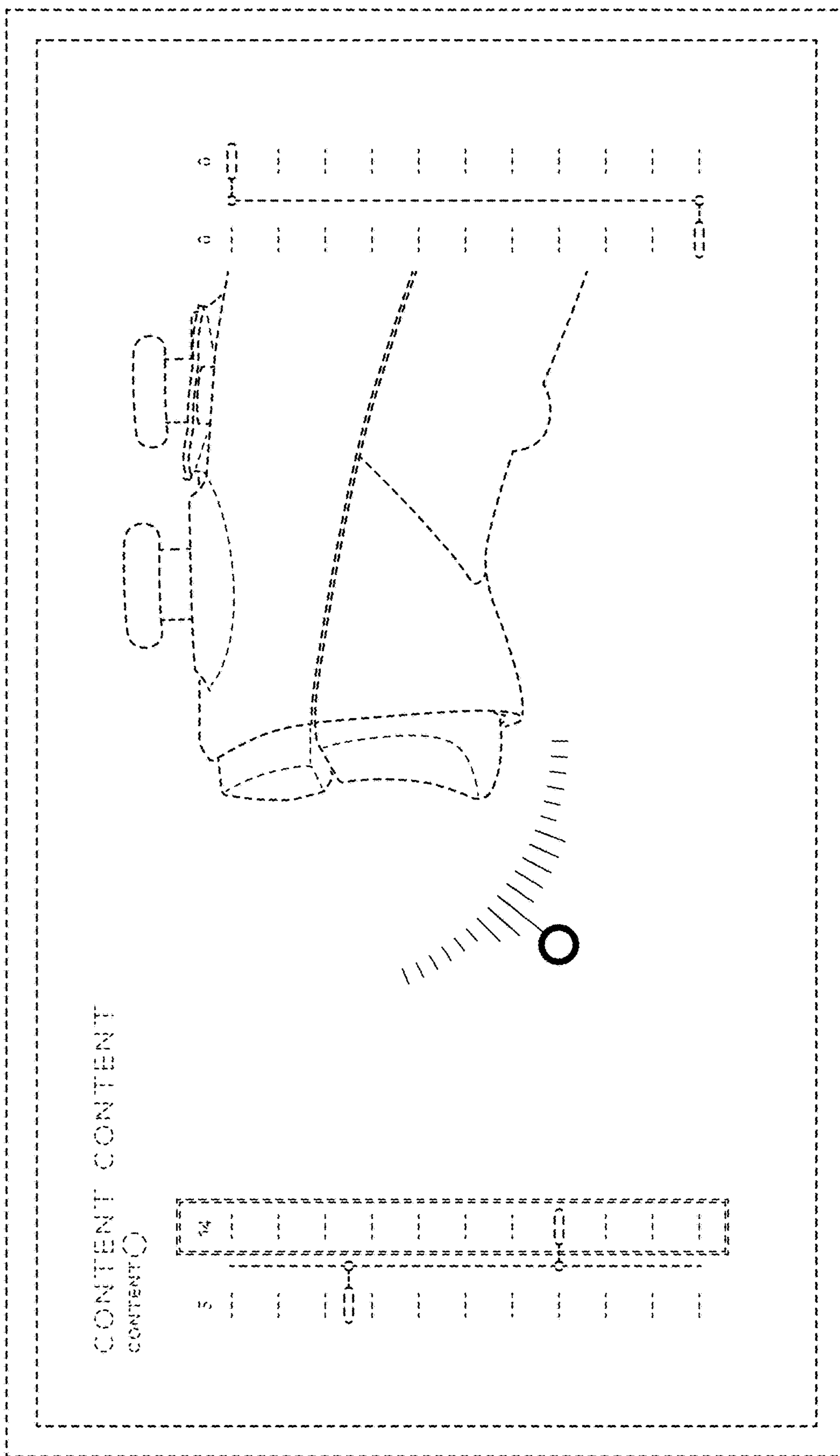


FIG. 3

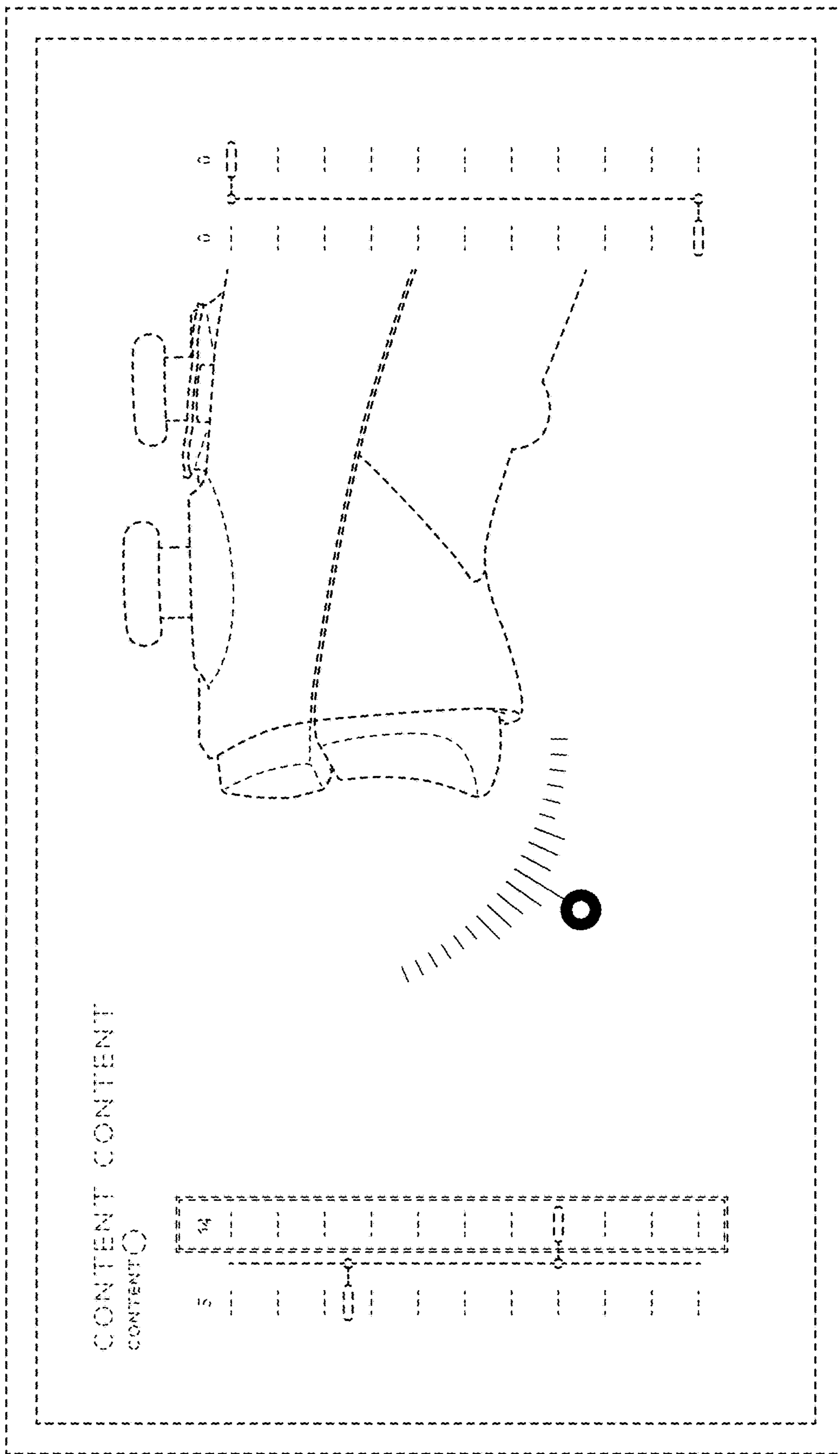


FIG. 5

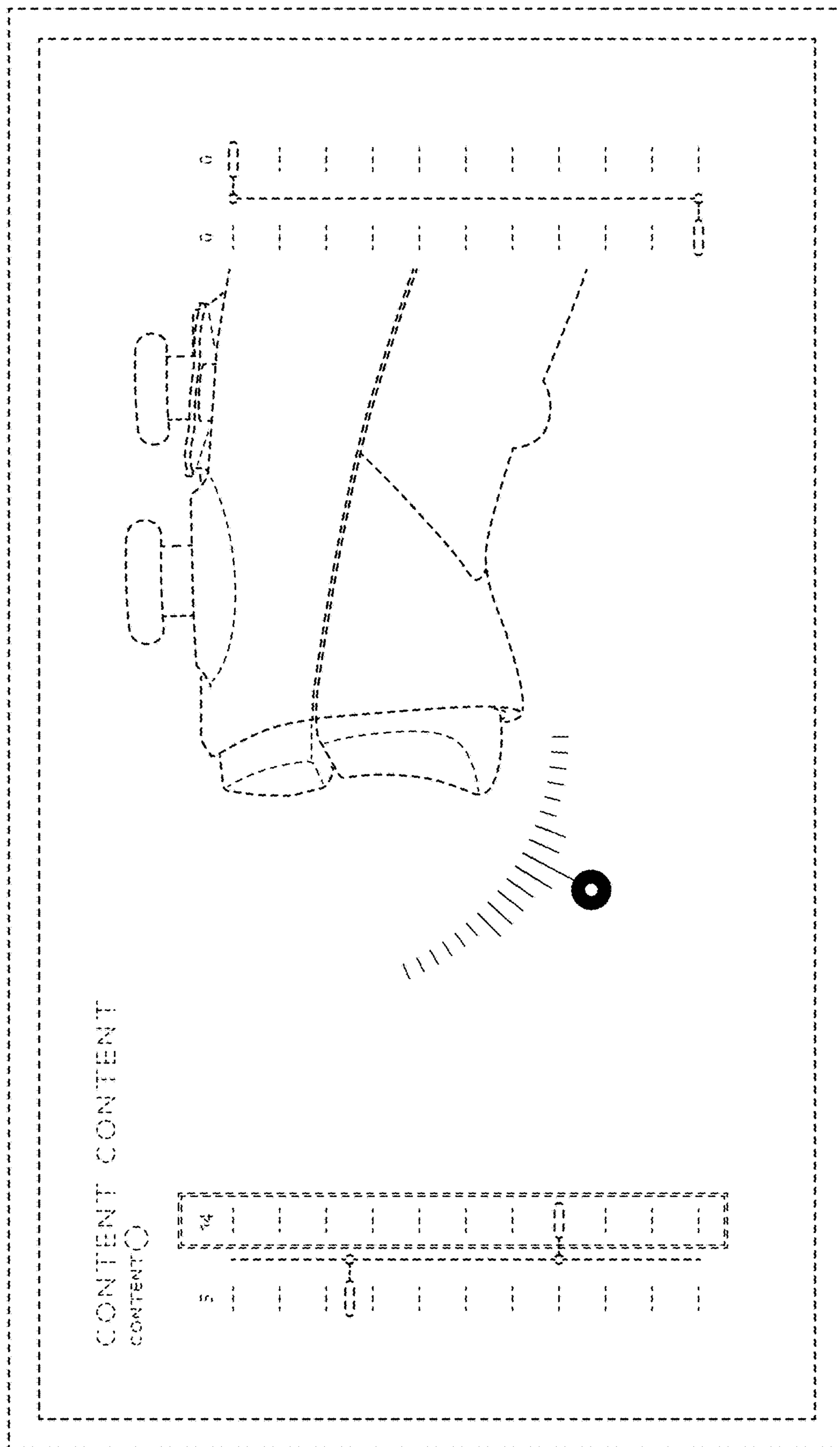


FIG. 6

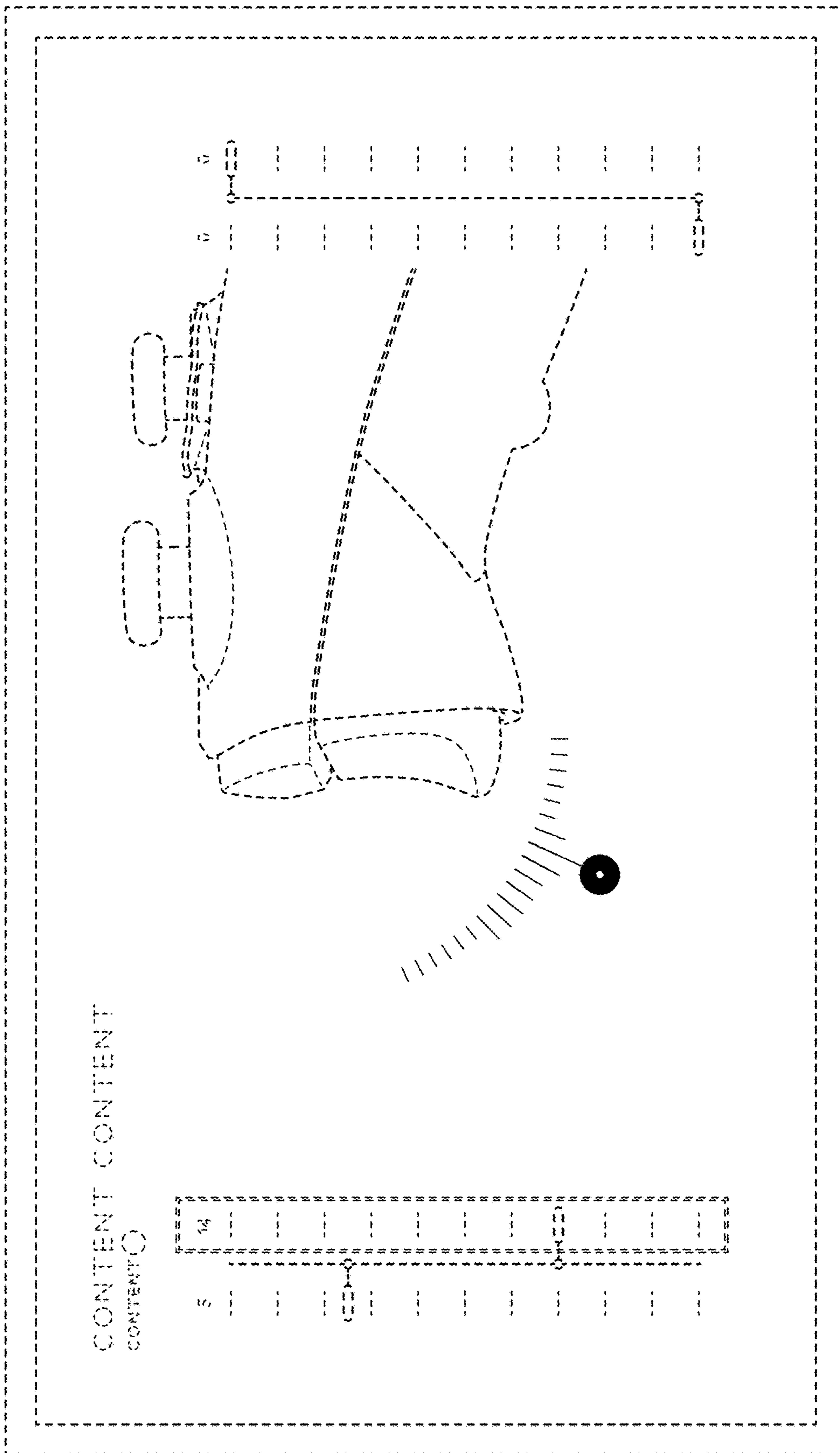


FIG. 7

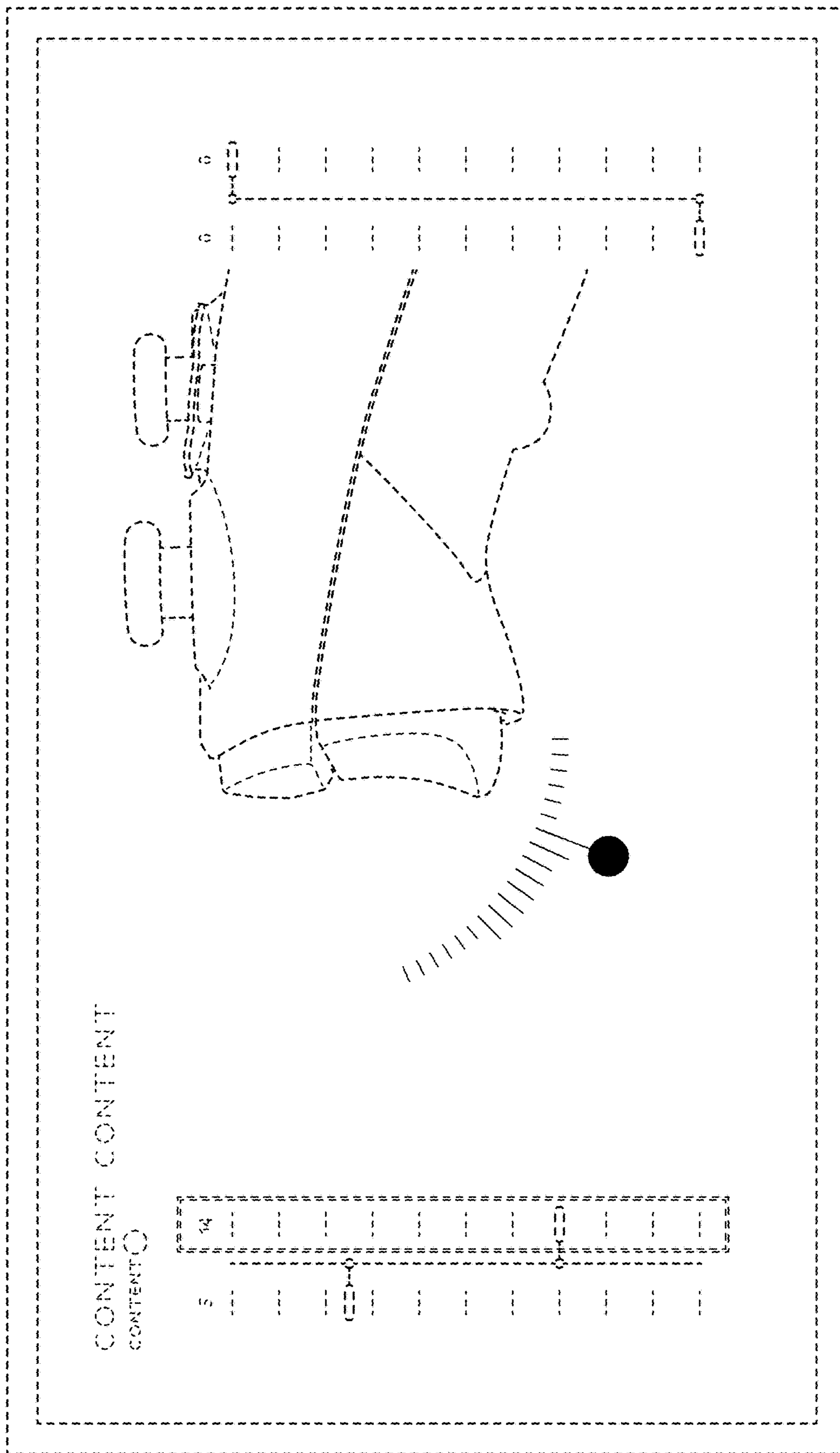


FIG. 8

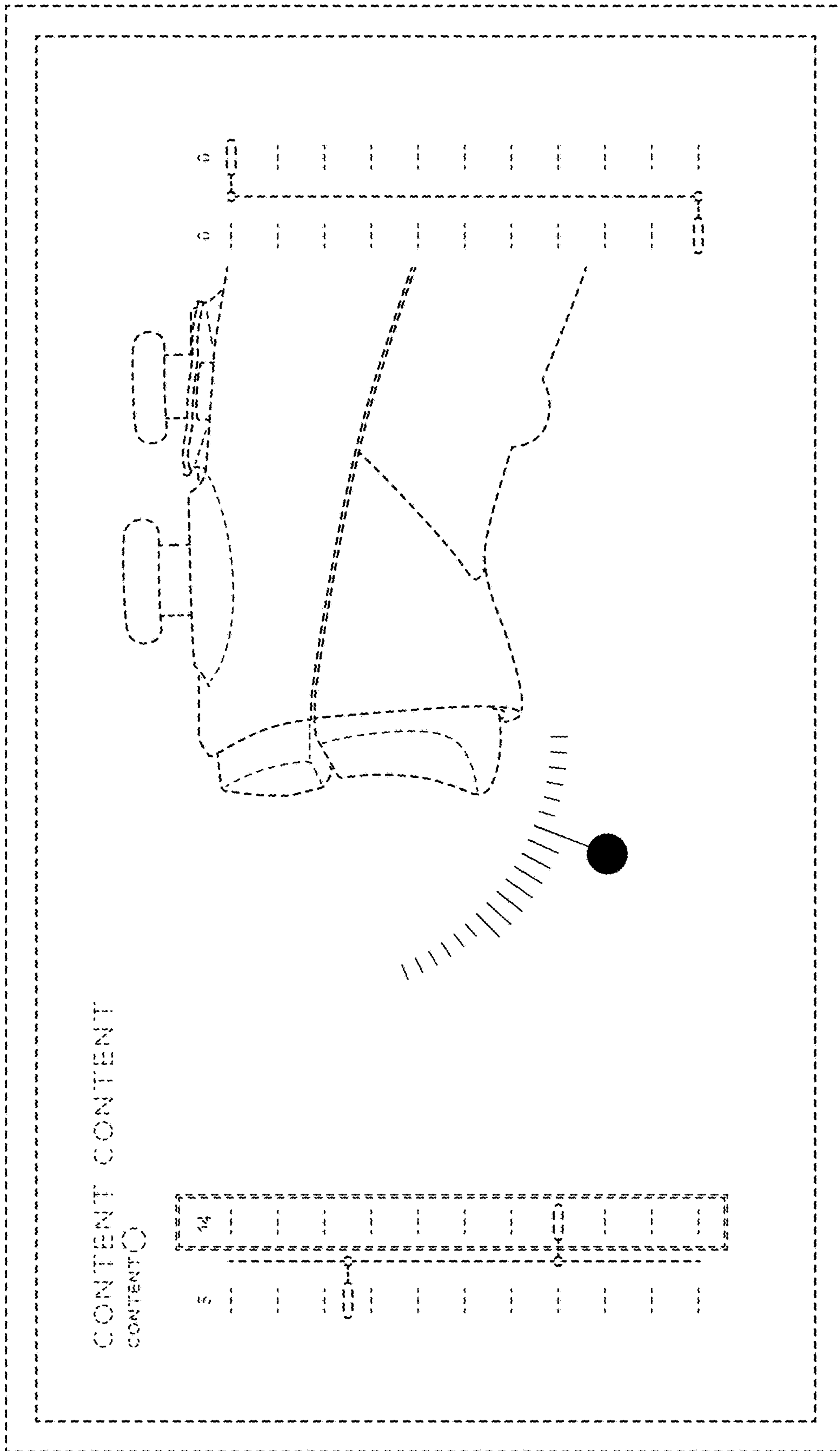


FIG. 9