



US00D791793S

(12) **United States Design Patent**  
**Aoki et al.**

(10) **Patent No.:** **US D791,793 S**  
(45) **Date of Patent:** **\*\* Jul. 11, 2017**

(54) **DISPLAY SCREEN WITH GRAPHICAL USER INTERFACE**

(71) Applicant: **Nikon Corporation**, Tokyo (JP)

(72) Inventors: **Yuuki Aoki**, Kawasaki (JP); **Kenji Tonegawa**, Tokyo (JP); **Miho Hara**, Chigasaki (JP)

(73) Assignee: **Nikon Corporation**, Tokyo (JP)

(\*\*) Term: **15 Years**

(21) Appl. No.: **29/563,182**

(22) Filed: **May 3, 2016**

**Related U.S. Application Data**

(62) Division of application No. 29/492,947, filed on Jun. 4, 2014, now Pat. No. Des. 765,668.

(30) **Foreign Application Priority Data**

Dec. 5, 2013 (JP) ..... 2013-028556

(51) **LOC (10) Cl.** ..... **14-04**

(52) **U.S. Cl.**  
USPC ..... **D14/485**

(58) **Field of Classification Search**  
USPC ..... D14/485-495; D16/219, 134  
CPC .. G06F 3/04817; G06F 3/0482; G06F 3/0484;  
G06F 3/04847  
See application file for complete search history.

(56) **References Cited**

**U.S. PATENT DOCUMENTS**

- 3,678,823 A 7/1972 Sato
- D428,428 S \* 7/2000 Ono ..... D16/134
- D433,435 S 11/2000 Hamamura
- D441,382 S 5/2001 Konno
- D449,322 S 10/2001 Ono
- D620,496 S 7/2010 Matas
- D633,399 S \* 3/2011 Zinder ..... D10/31

(Continued)

**FOREIGN PATENT DOCUMENTS**

JP 1488399 1/2014

**OTHER PUBLICATIONS**

Website, <http://olympus-imaging.jp/product/dslr/em1/feature/index3.html>; title—Olympus OM-D E-M1, date 2013; pp. 1-7.

(Continued)

*Primary Examiner* — Sandra Snapp

*Assistant Examiner* — Katherine Glennon

(74) *Attorney, Agent, or Firm* — Wolf, Greenfield & Sacks, P.C.

(57) **CLAIM**

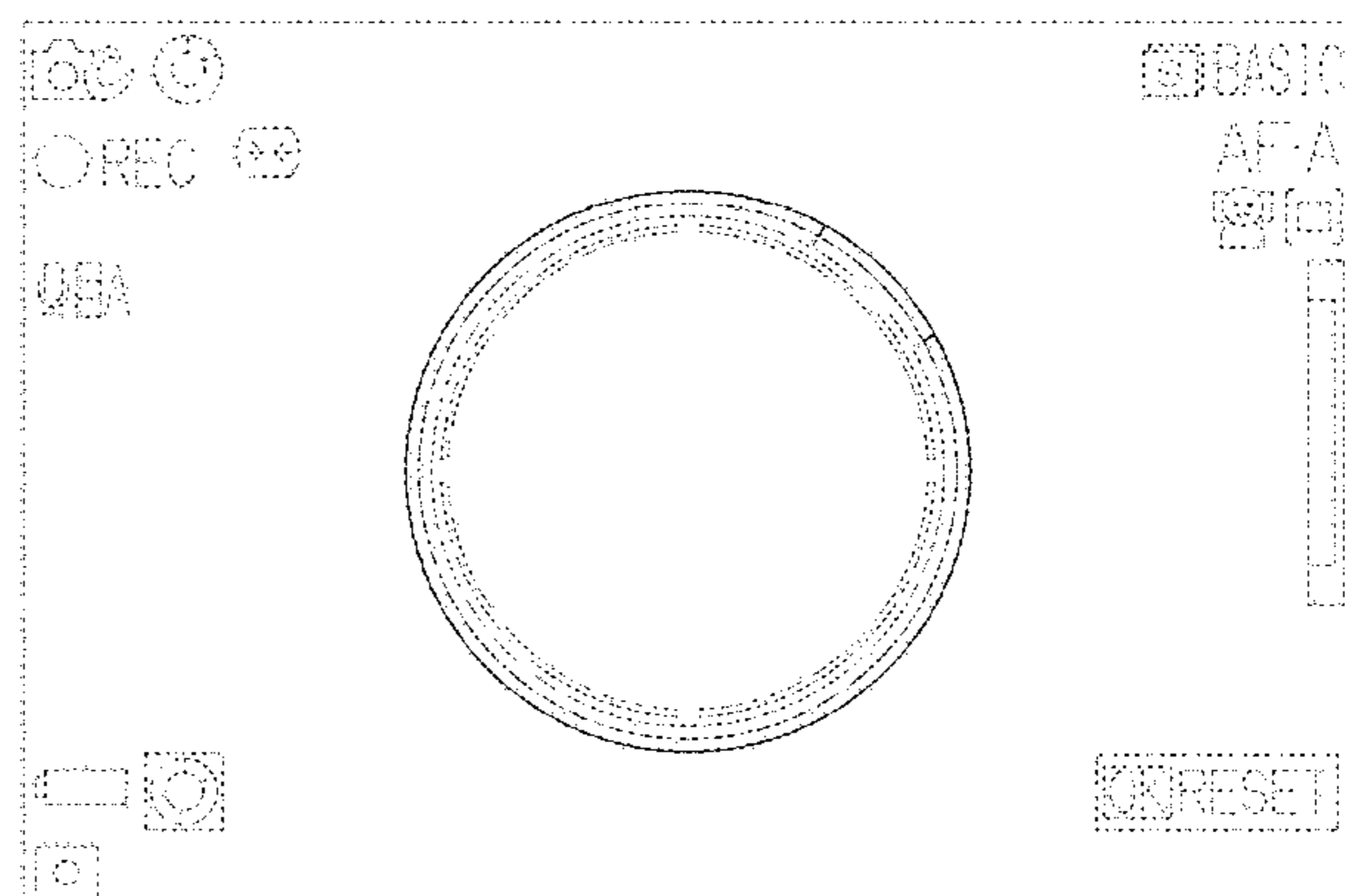
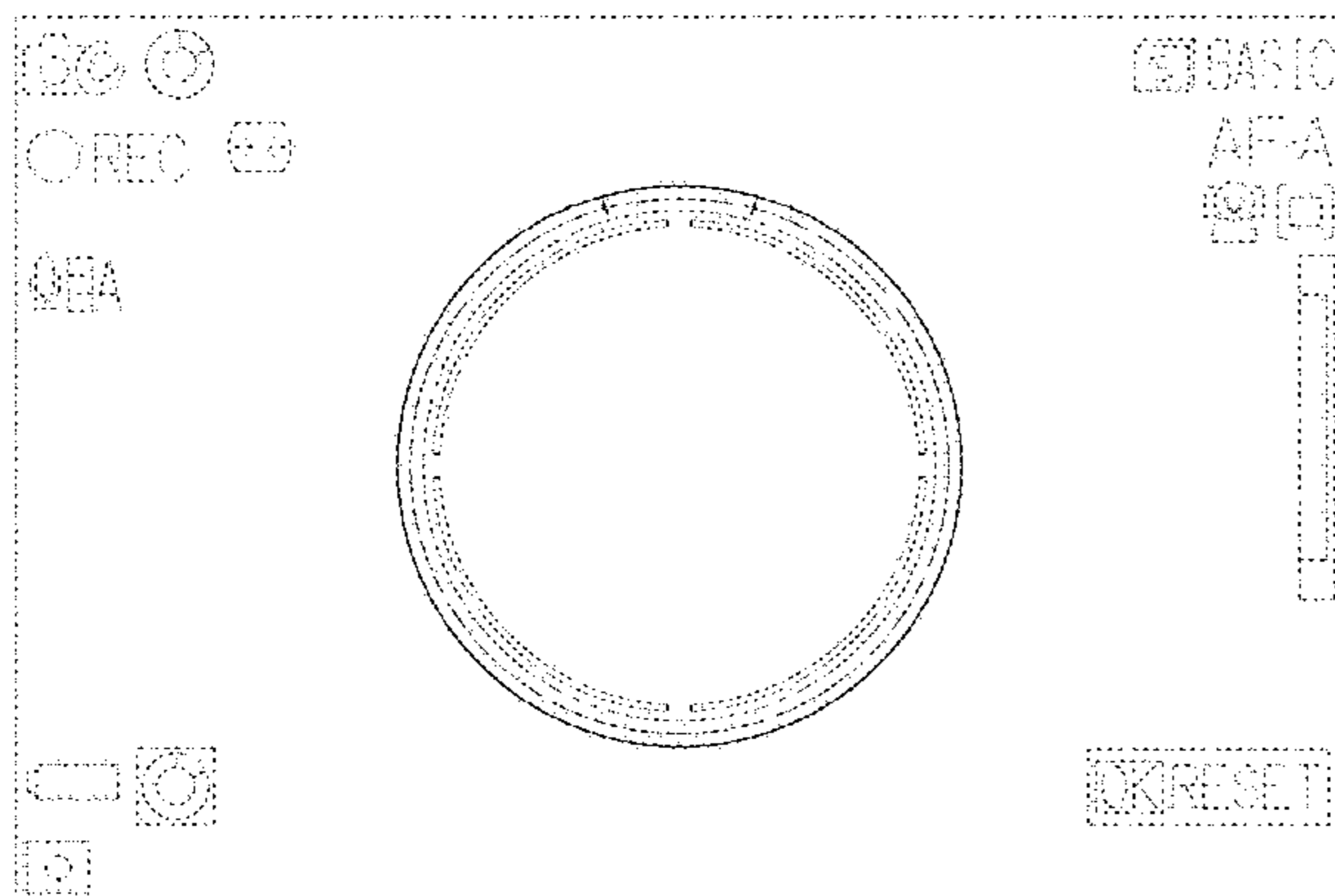
The ornamental design for a display screen with graphical user interface, as shown and described.

**DESCRIPTION**

FIG. 1 is the first image in a sequence of a display screen with graphical user interface showing our new design according to a first embodiment; FIG. 2 is the second image thereof; FIG. 3 is the third image thereof; FIG. 4 is the fourth image thereof; FIG. 5 is the fifth image thereof; FIG. 6 is the sixth image thereof; FIG. 7 is the seventh image thereof; and, FIG. 8 is the eighth image thereof.

The features shown in broken lines in the drawings depict environmental subject matter only and form no part of the claimed design. The dash-dotted lines denote the boundaries of the claimed design and form no part thereof. The subject matter in this patent includes a process or period in which an image changes into another image. The process or period forms no part of the claimed design.

**1 Claim, 8 Drawing Sheets**



(56)

References Cited

U.S. PATENT DOCUMENTS

D686,244 S 7/2013 Moriya  
 D689,914 S \* 9/2013 Uemachi ..... D16/202  
 D692,044 S 10/2013 Uemachi  
 D695,810 S \* 12/2013 Soejima ..... D16/219  
 D697,929 S \* 1/2014 Hyunjung ..... D14/486  
 D700,207 S \* 2/2014 Pearson ..... D14/488  
 D703,693 S 4/2014 Brinda  
 D706,283 S \* 6/2014 Pedraza Padilla ..... D14/485  
 D712,911 S \* 9/2014 Pearson ..... D14/486  
 D714,324 S 9/2014 Barling  
 D715,313 S \* 10/2014 Hontz, Jr. .... D14/485  
 D715,810 S \* 10/2014 Tsukamoto ..... D14/485  
 D715,811 S \* 10/2014 Tsukamoto ..... D14/485  
 D717,334 S \* 11/2014 Sakuma ..... D14/487  
 D718,362 S 11/2014 Noh  
 D722,082 S \* 2/2015 Roberts ..... D14/492  
 8,994,827 B2 3/2015 Mistry  
 D726,748 S \* 4/2015 Maekawa ..... D14/486  
 D727,928 S \* 4/2015 Allison ..... D14/485  
 9,030,446 B2 5/2015 Mistry  
 D730,968 S 6/2015 O'Neill  
 D730,969 S 6/2015 O'Neill  
 D731,547 S 6/2015 Kim  
 D735,733 S \* 8/2015 Hontz, Jr. .... D14/485  
 D737,157 S \* 8/2015 Akana ..... D10/32  
 D737,300 S \* 8/2015 Hisada ..... D14/486  
 D738,895 S \* 9/2015 Myoung ..... D14/486  
 D738,905 S \* 9/2015 Chaudhri ..... D14/488  
 D739,872 S \* 9/2015 Bang ..... D14/488  
 D741,890 S \* 10/2015 Chaudhri ..... D14/486  
 D741,930 S 10/2015 Kwon  
 D760,790 S \* 7/2016 Ishii ..... G06F 3/04817  
 D761,277 S \* 7/2016 Harvell ..... D14/494  
 D762,230 S \* 7/2016 Kaplan ..... D14/485  
 D763,308 S \* 8/2016 Wang ..... D14/486  
 D765,668 S \* 9/2016 Aoki ..... D14/485  
 D767,603 S \* 9/2016 Yun ..... D14/486  
 D768,663 S \* 10/2016 Yun ..... D14/486  
 D770,517 S \* 11/2016 Peng ..... D14/486  
 D771,076 S \* 11/2016 Butcher ..... D14/485  
 D771,130 S \* 11/2016 Cho ..... D14/490  
 D773,531 S \* 12/2016 Toth ..... D14/491  
 2009/0278916 A1 11/2009 Ito  
 2014/0101576 A1 4/2014 Kwak

2014/0380243 A1\* 12/2014 Furue ..... G06F 3/0482  
 715/835  
 2015/0082243 A1\* 3/2015 Taylor ..... G06F 3/0482  
 715/814  
 2015/0163345 A1 6/2015 Cornaby  
 2015/0248235 A1 9/2015 Offenber

OTHER PUBLICATIONS

Website, <http://www.olympus.co.jp/jp/news/2013b/nr130910em1j.jsp>; title—Olympus OM-D E-M1, dated Sep. 10, 2013, pp. 1-15.  
 Website, <http://blog.laptopmag.com/how-to-use-the-time-shift-camera-app-in-blackberry-10>; How to Use the Time Shift Camera App in BlackBerry 10; Author; Daniel P. Howley, dated Jan. 30, 2013, pp. 1-6.  
 Olympus OMD EM1 Color Creator I posted at pekkapotka.com Sep. 9, 2013 copyright Pekka Potka 1973-2015 [online], [site visited Nov. 27, 2015]. Available from Internet <URL:<http://www.pekkapotka.com/journal/2013/9/9/olympus-om-d-e-m1-hands-on-preview.html>>.  
 Nokia Lumina 1020 Camera UI I posted at uxmag.com Nov. 19, 2013 I 2015 UX Magazine, All Rights Reserved.[online], [site visited Nov. 27, 2015]. Available from Internet <URL:<https://uxmag.com/articles/branching-out-from-the-apple-tree-an-ios-loyalist-considers-mobile-alternatives>>.  
 Blackberry 10 timeshift I posted at uswitch.com Jan. 30, 2013 © 2000-2015 uSwitch Limited [online], [site visited Nov. 27, 2015]. Available from Internet <URL:[http://www.uswitch.com/mobiles/news/2013/01/blackberry\\_z1\\_0\\_5\\_things\\_you\\_need\\_to\\_know/](http://www.uswitch.com/mobiles/news/2013/01/blackberry_z1_0_5_things_you_need_to_know/)>.  
 Nokia Smart Group I posted at winsupersite.com Jun. 22, 2012 Copyright © 2015 Penton [online], [site visited Nov. 27, 2015]. Available from Internet <URL:<http://winsupersite.com/article/windowsphone75/windows-phone-75-nokia-camera-extras-143513>>.  
 Blackberry 10 Timeshift I posted at Crackberry.com May 1, 2012 I Copyright © 2015 Mobile Nations® [online], [site visited Nov. 27, 2015]. Available from Internet <URL:<http://crackberry.com/take-peek-upgraded-camera-coming-blackberry-10-smartphones>>.  
 Nikon GUI design I posted at SLRLounge.com Nov. 6, 2012 © 2015 [online], [site visited Nov. 27, 2015]. Available from Internet <URL:<http://www.slrlounge.com/nikon-unveils-the-new-semi-entry-level-d5200-dslr/>>.  
 U.S. Appl. No. 29/492,947, filed Jun. 4, 2014, Aoki.

\* cited by examiner

Fig.1

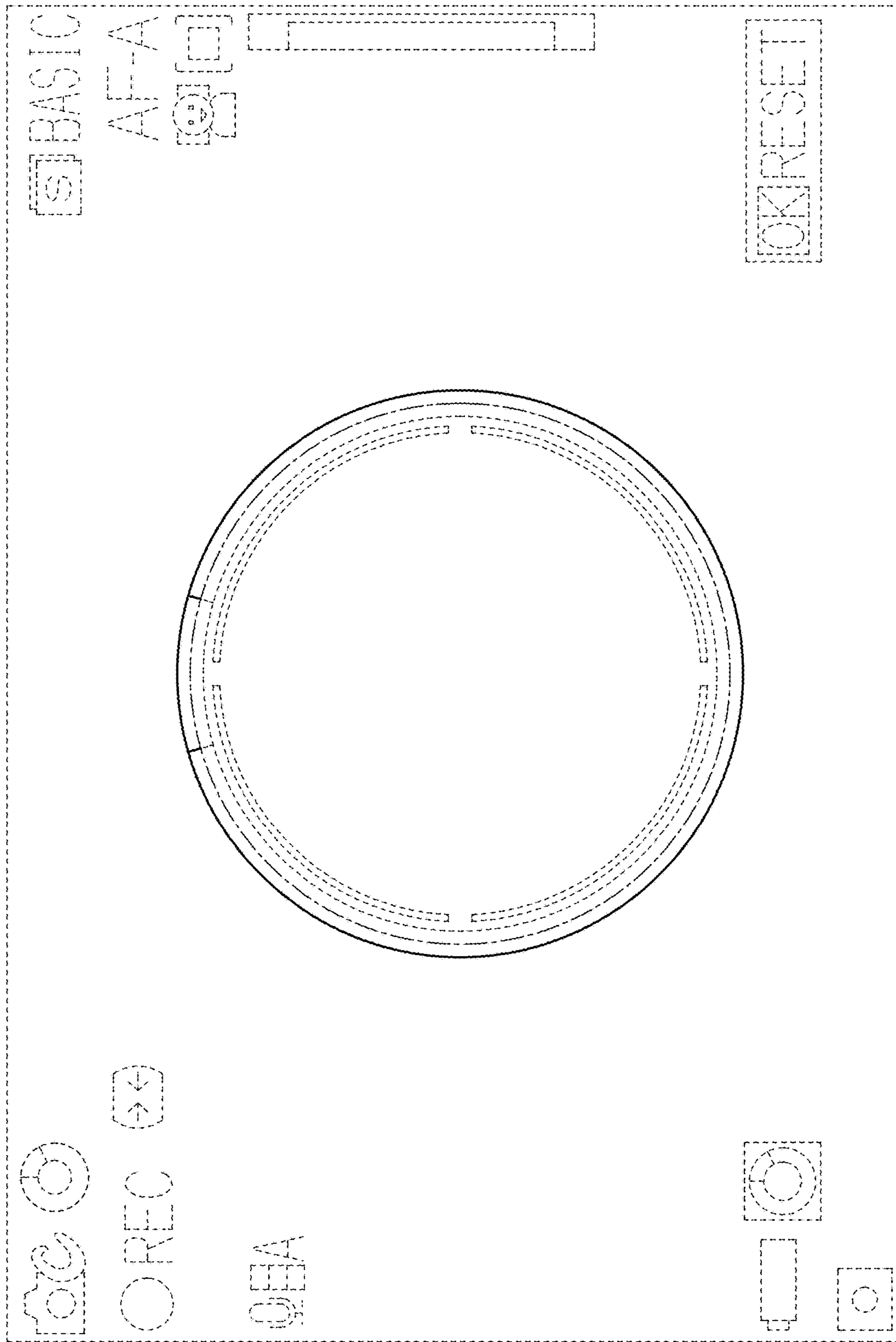


Fig.2

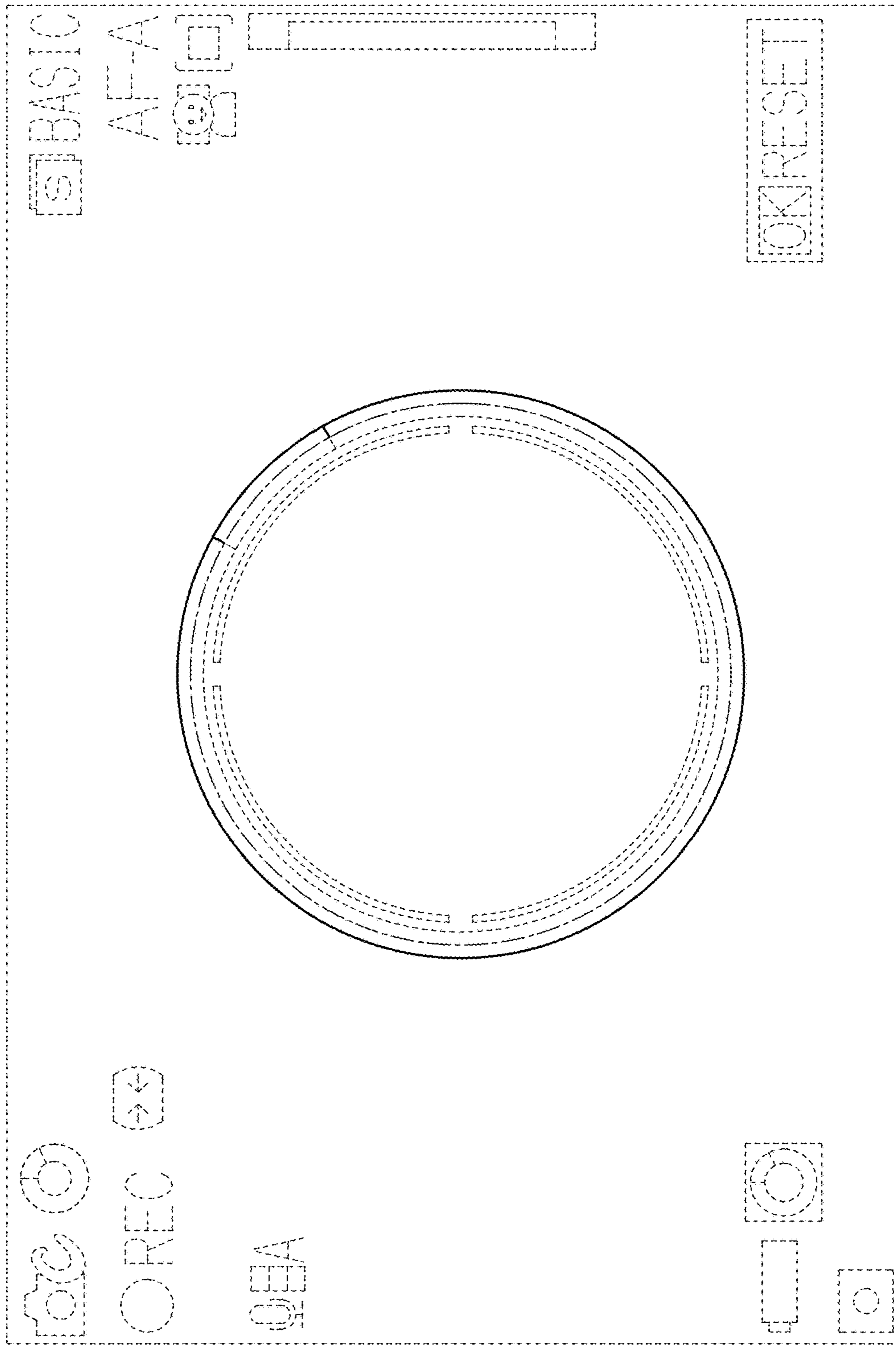


Fig. 3

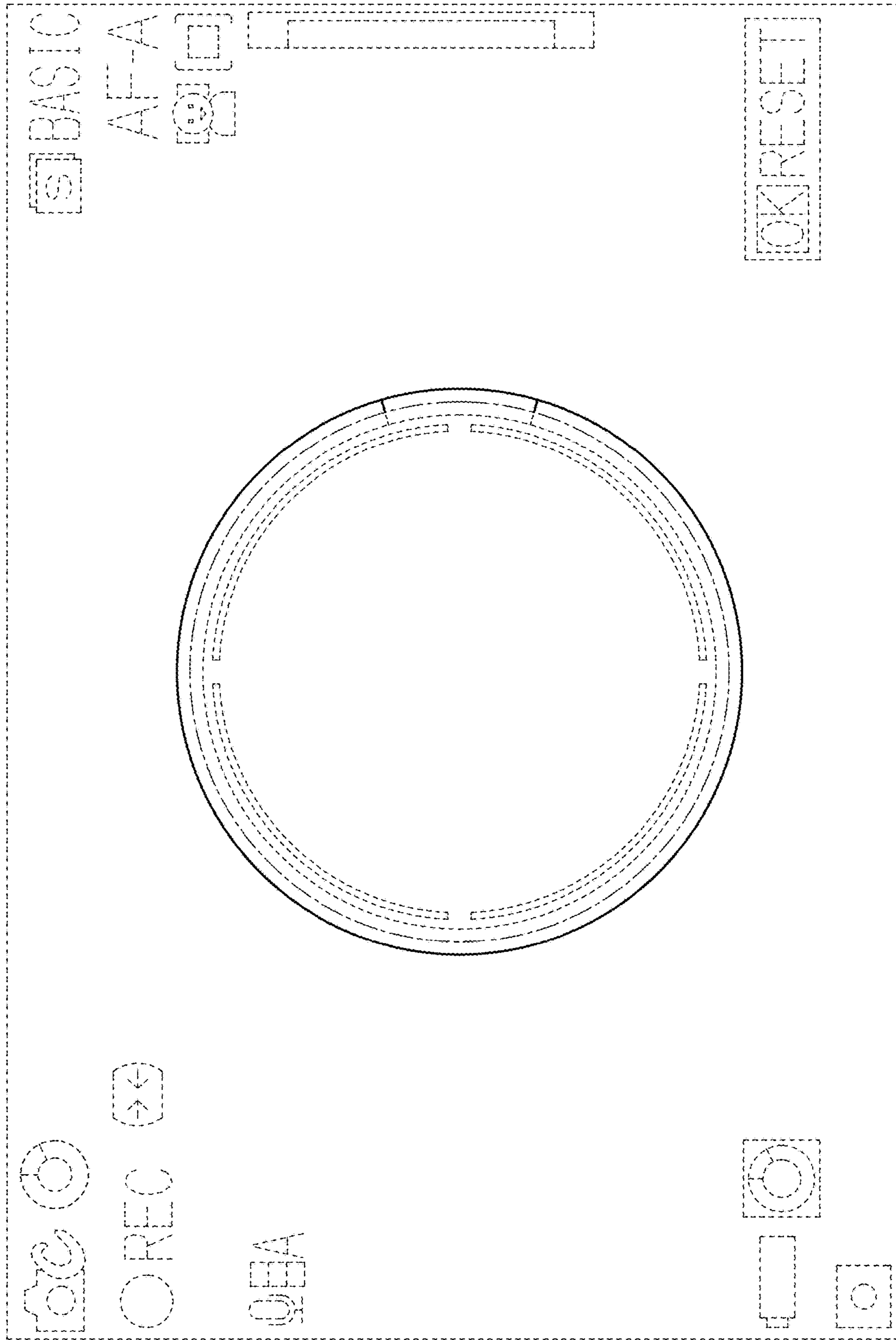


Fig.4

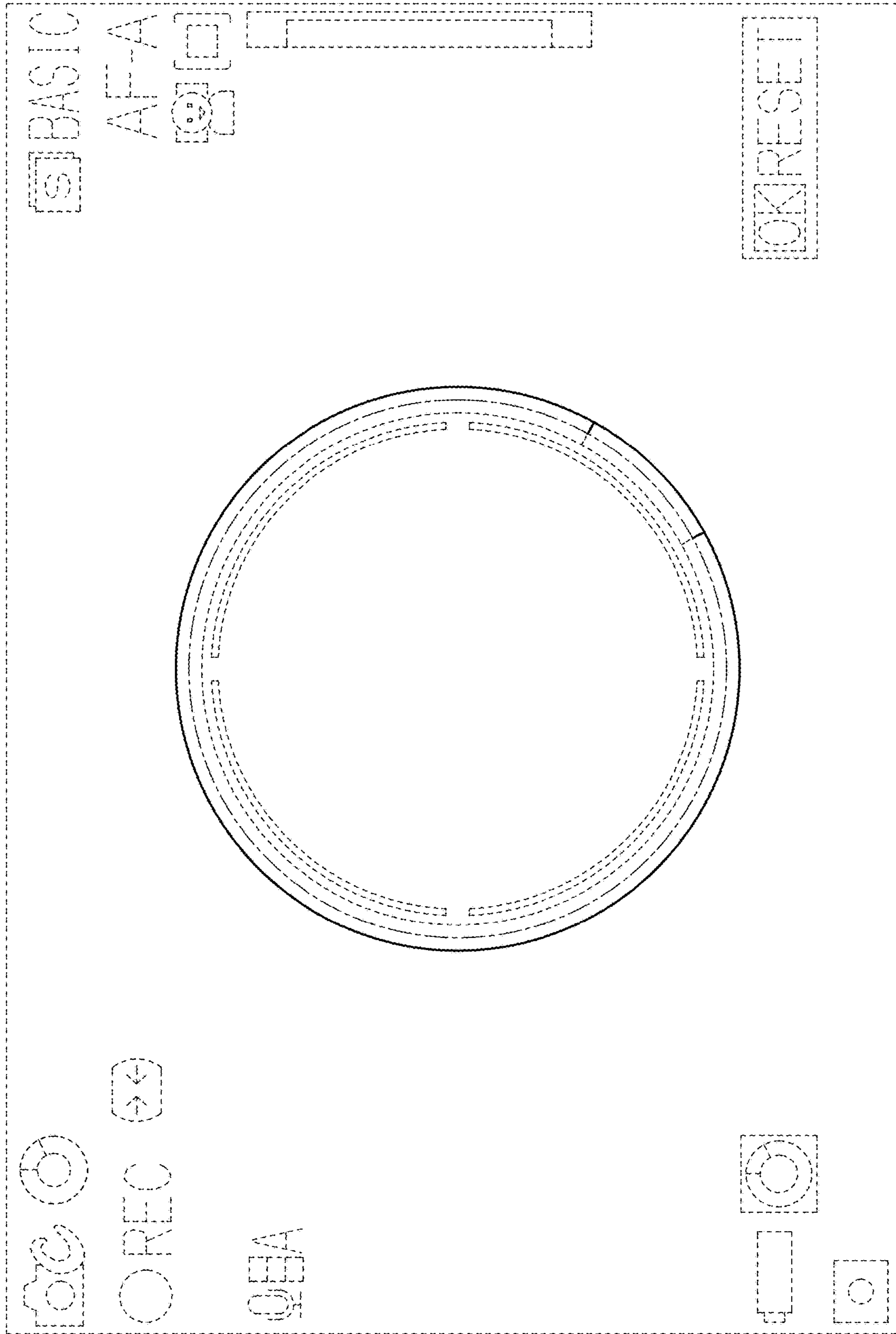


Fig. 5

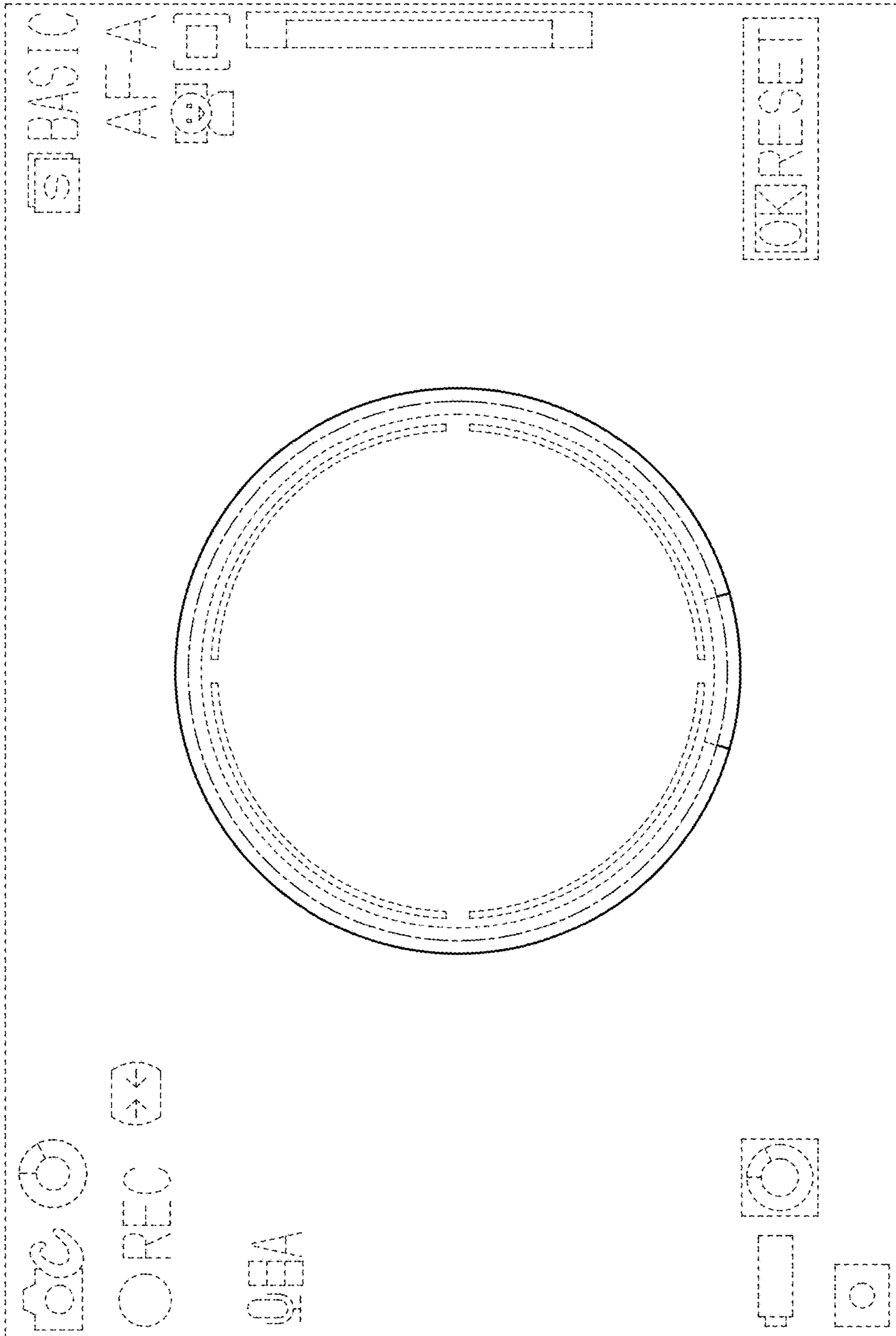








Fig. 8

