



US00D791779S

(12) **United States Design Patent** (10) **Patent No.:** **US D791,779 S**
Tsuruoka et al. (45) **Date of Patent:** **** Jul. 11, 2017**

(54) **STAND FOR IMAGE DISPLAY APPARATUS**

G02B 27/0101; F16M 13/02; F16M 13/00; F16M 11/10; F16M 11/04; F16M 2200/08;

(71) Applicants: **Naoto Tsuruoka**, Ohta-ku (JP);
Makoto Kurata, Ohta-ku (JP)

(Continued)

(72) Inventors: **Naoto Tsuruoka**, Ohta-ku (JP);
Makoto Kurata, Ohta-ku (JP)

(56) **References Cited**

(73) Assignee: **RICOH COMPANY, LTD.**, Tokyo (JP)

U.S. PATENT DOCUMENTS

(**) Term: **14 Years**

5,946,748 A * 9/1999 Wang A61G 7/1015
212/281
D480,237 S * 10/2003 de Carolis D6/675.3

(Continued)

(21) Appl. No.: **29/511,516**

Primary Examiner — Garth Rademaker

(22) Filed: **Dec. 11, 2014**

Assistant Examiner — Katie Stofko Mroczka

(30) **Foreign Application Priority Data**

(74) *Attorney, Agent, or Firm* — Oblon, McClelland,
Maier & Neustadt, L.L.P.

Jun. 18, 2014 (JP) 2014-013155

(57) **CLAIM**

(51) **LOC (10) Cl.** **08-07**

The ornamental design for a stand for image display apparatus, as shown and described.

(52) **U.S. Cl.**

DESCRIPTION

USPC **D14/451**

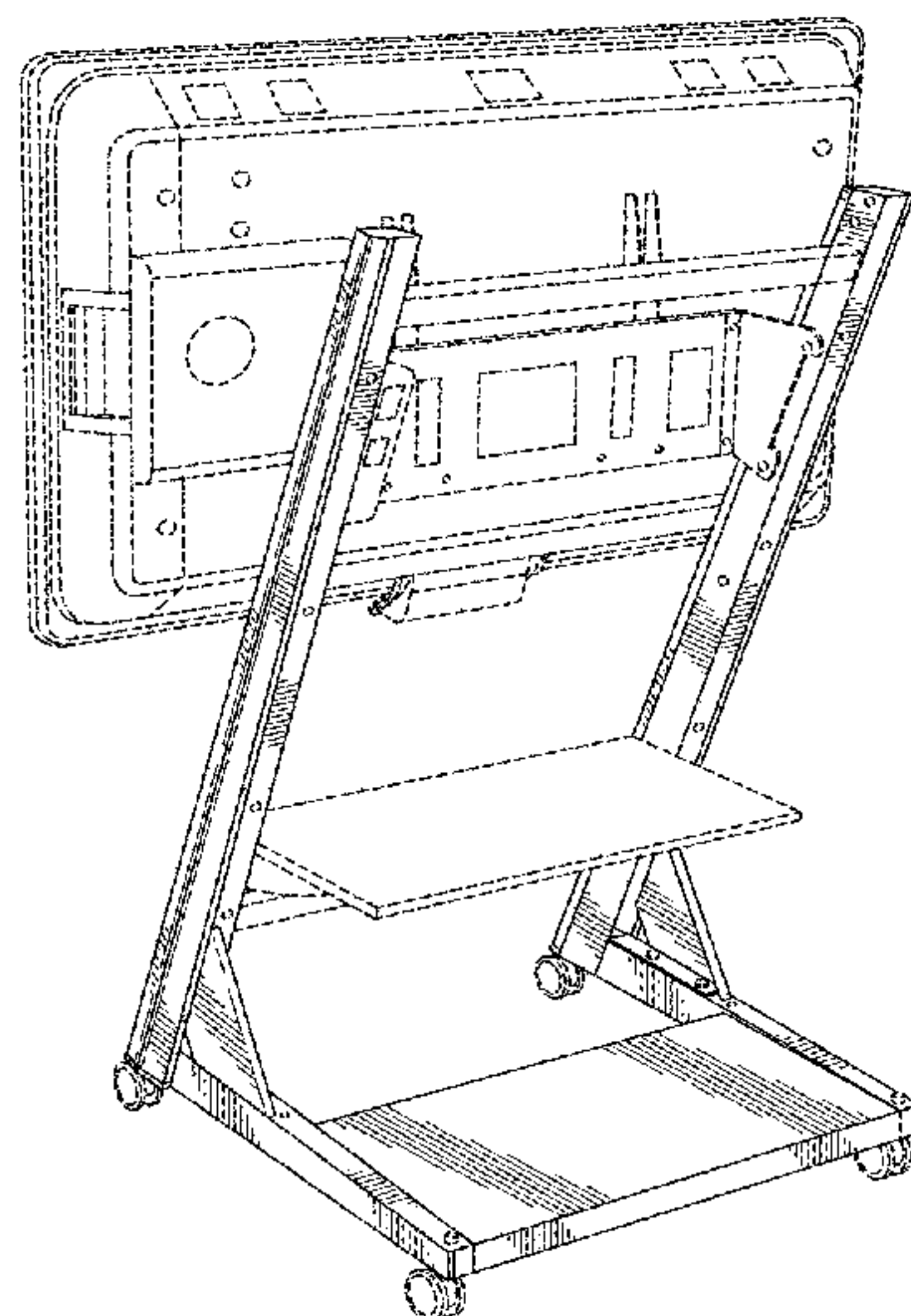
(58) **Field of Classification Search**

USPC D14/371-382, 125-129, 335-337,
D14/447-452, 492, 239, 457, 439-441,
D14/432, 251-253, 204, 209, 214-216;
D8/349, 354, 363, 373, 376, 380;
348/180, 184, 325, 739, 825; D12/407,
D12/415; D3/218; 341/12; D6/661,
D6/675.1, 675.3, 677.1, 678.1, 678.2
CPC G06F 3/0412; G06F 3/016; G06F 3/0488;
G06F 3/011; G06F 3/038; G06F 3/03543;
G06F 3/0338; G06F 3/0202; G06F
3/0219; G06F 3/0213; G06F 1/1616;
G06F 3/023; G06F 3/04883; G02F
1/13338; G02F 1/1313; G02F 1/1333;
G02F 1/135; G02F 1/132; G02F
1/133308; G02F 1/134309; G02F
1/13718; G09G 3/3648; G06K 15/1252;
B41J 2/465; G03F 7/70291; G02B
27/0172; G02B 5/30; G02B 2027/0118;

FIG. 1 is a front elevational view of a stand for image display apparatus;
FIG. 2 is a rear elevational view thereof;
FIG. 3 is a left side elevational view thereof;
FIG. 4 is a right side elevational view thereof;
FIG. 5 is a top plan view thereof;
FIG. 6 is a bottom plan view thereof
FIG. 7 is a front, top, and right side perspective view thereof;
FIG. 8 is a front, top, and right side perspective view thereof, shown in an environment of use; and,
FIG. 9 is a rear, top, and right side perspective view thereof, shown in an environment of use.

The broken lines shown in FIGS. 1-7 illustrate portions of the stand for image display apparatus that form no part of the claimed design. The broken lines illustrating the monitor in FIGS. 8-9 are environment, while the remaining broken lines in FIGS. 8-9 illustrate portions of the stand for image display apparatus that form no part of the claimed design.

1 Claim, 9 Drawing Sheets



(58) **Field of Classification Search**

CPC F16M 11/2021; A47B 21/0314; A47B
88/044; A47B 2021/0335; H02G 3/126;
F16B 47/00; F16B 47/006; A47G 1/17;
A47K 2201/00

See application file for complete search history.

(56) **References Cited**

U.S. PATENT DOCUMENTS

D507,900	S *	8/2005	Sexton	D6/675.1
D539,565	S *	4/2007	Sexton, III	D6/675.3
D564,261	S *	3/2008	Sculler	D6/678.1
D652,653	S *	1/2012	Sexton	D6/675.1
8,191,485	B1 *	6/2012	Whalen	F16M 11/00 108/42
D671,338	S *	11/2012	Sexton	D6/675.1
D671,595	S *	11/2012	O'Hara	D14/307
8,561,551	B2 *	10/2013	Whalen	A47B 81/00 108/42
8,813,656	B1 *	8/2014	Hazzard	A47B 81/06 108/42
2011/0079688	A1 *	4/2011	Grove	F16M 11/08 248/176.3
2011/0101179	A1 *	5/2011	Fritch	F16M 11/08 248/125.7

* cited by examiner

FIG. 1

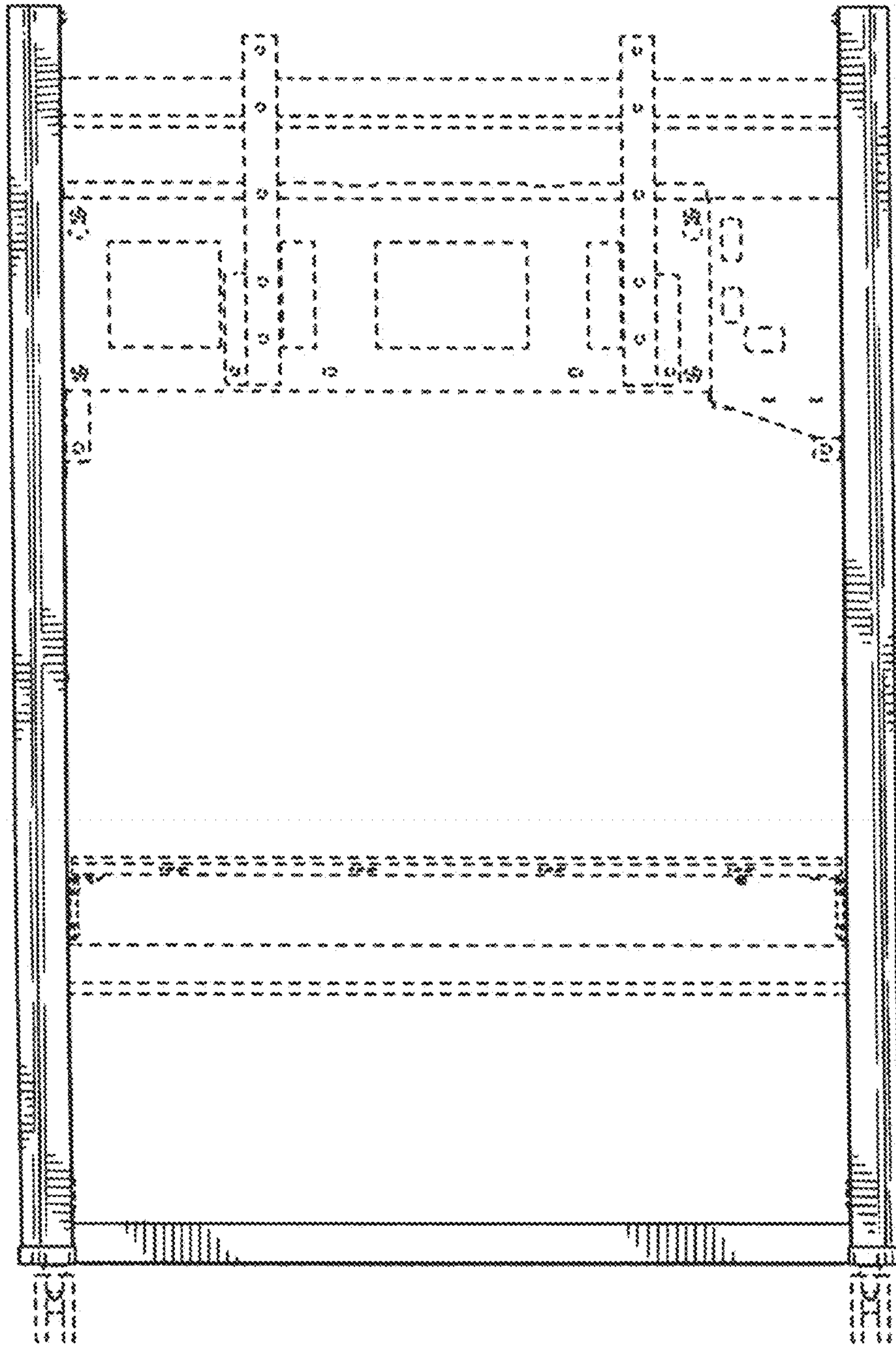


FIG. 2

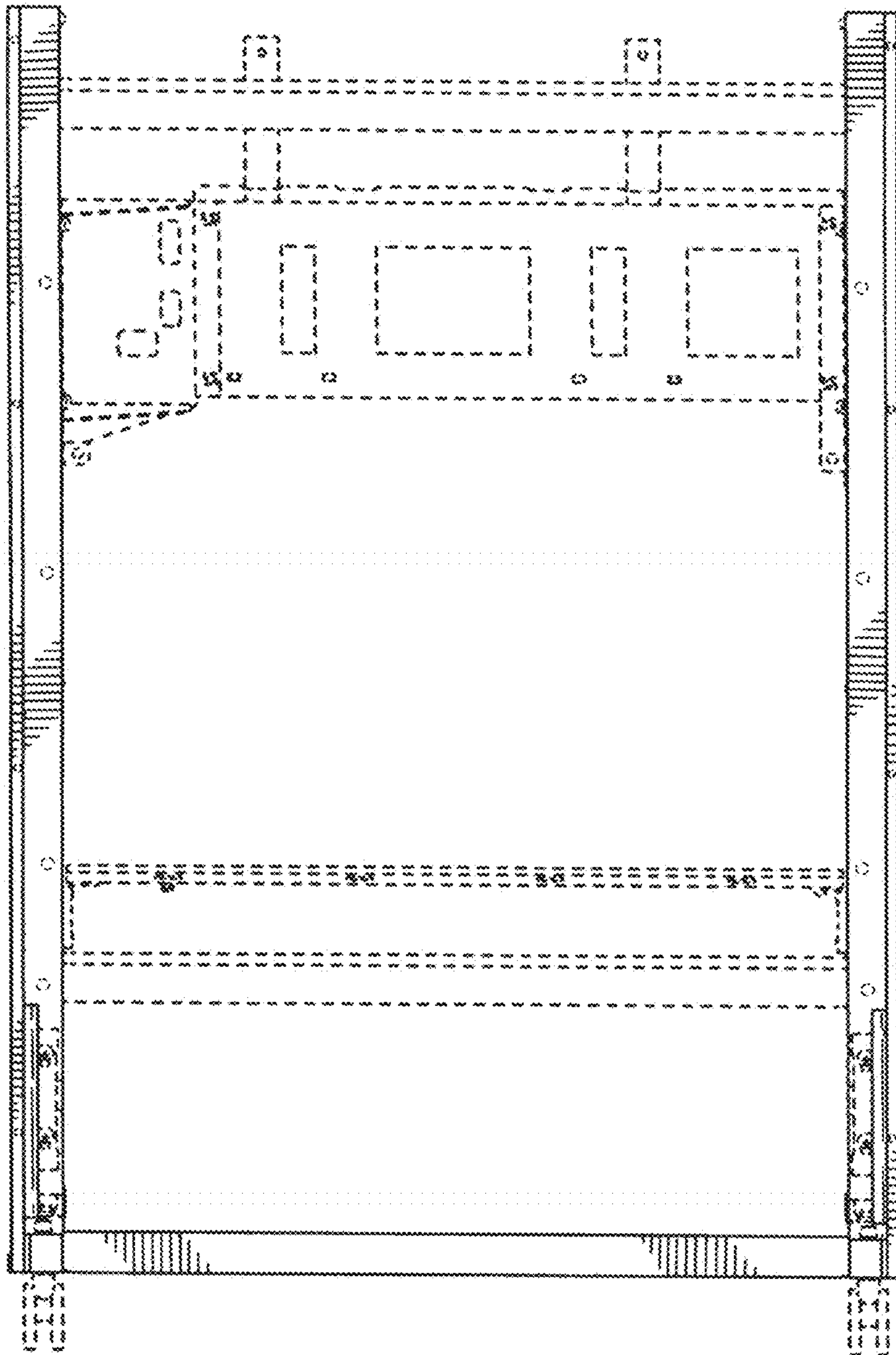


FIG. 3

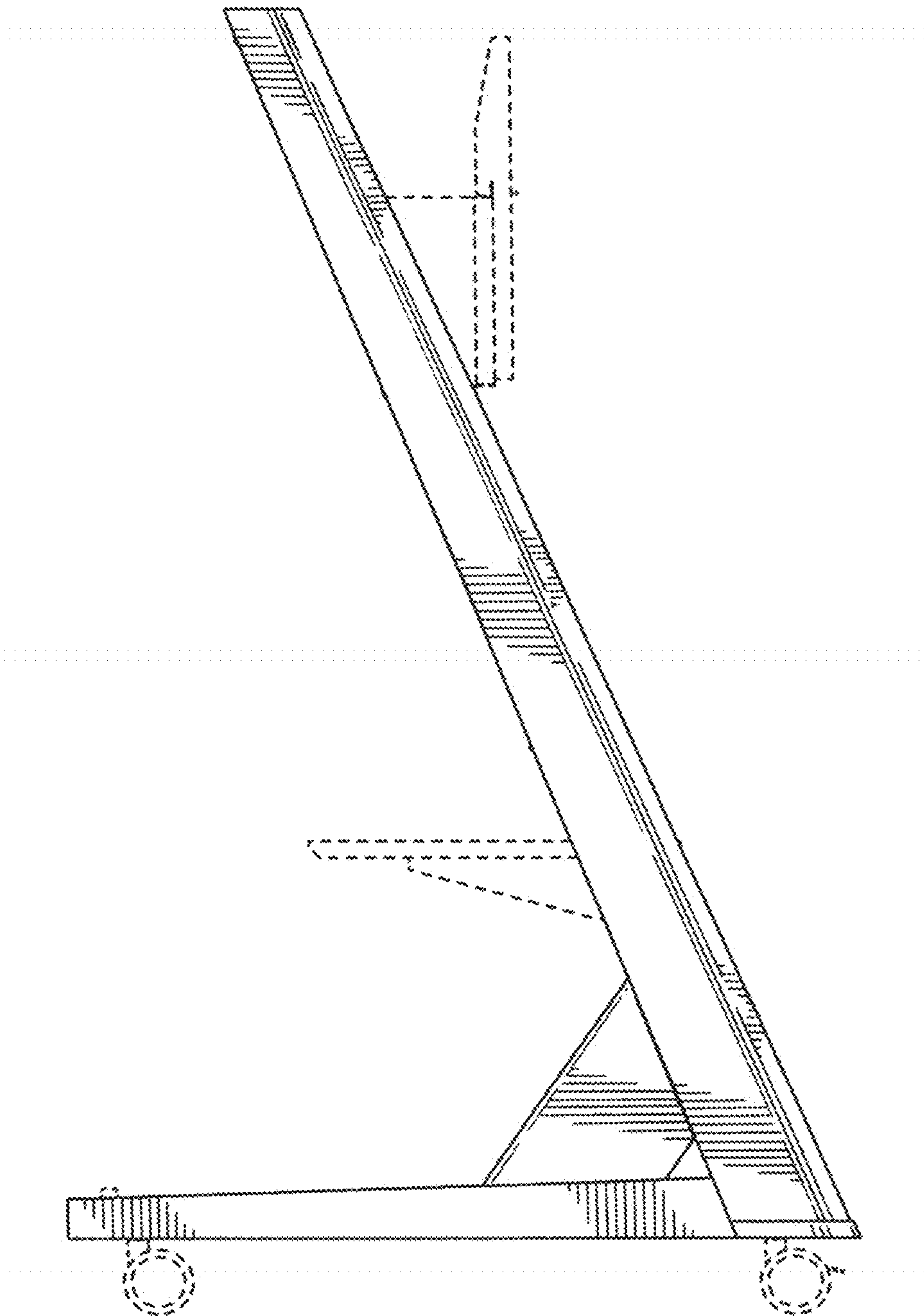


FIG. 5

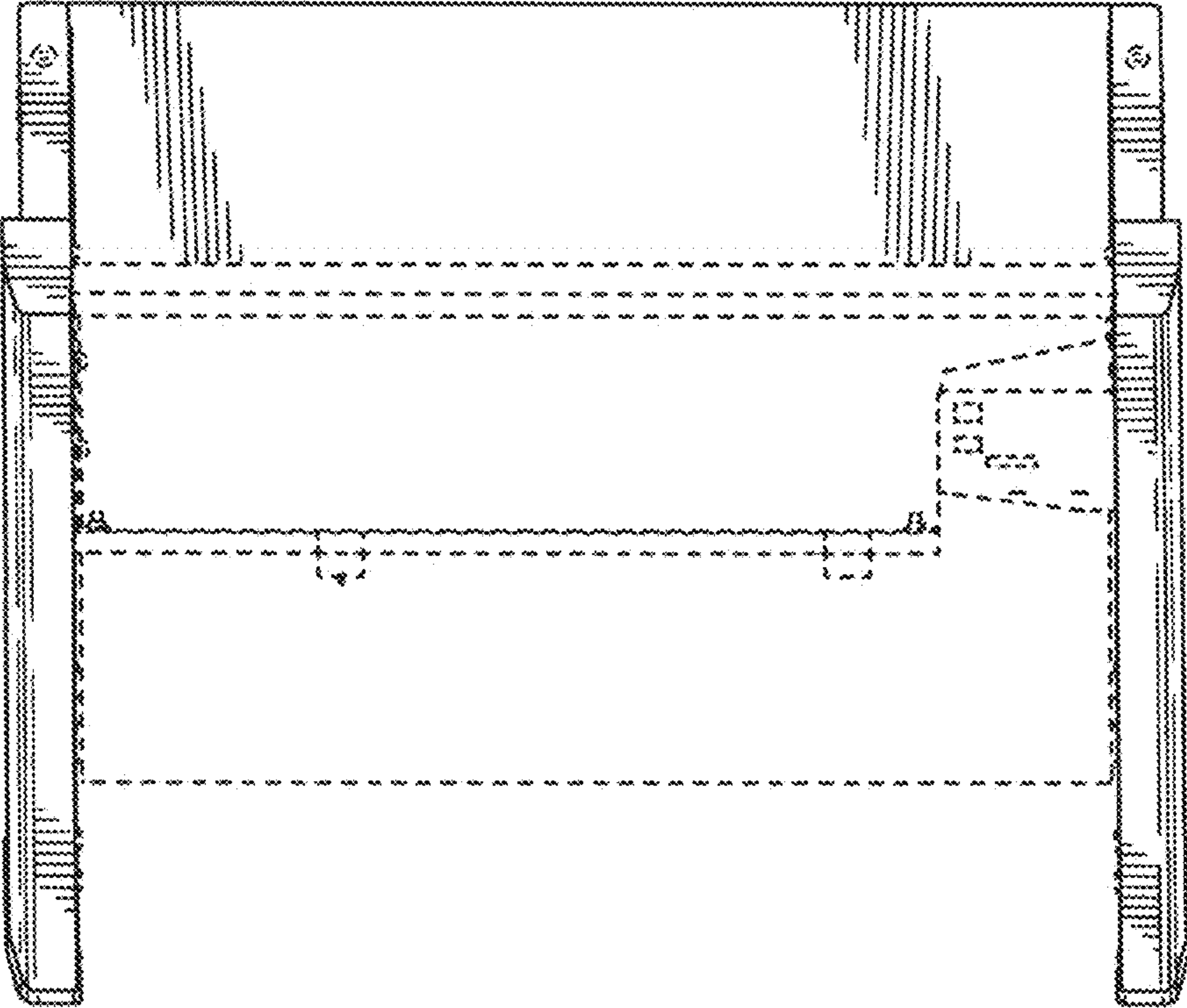


FIG. 6

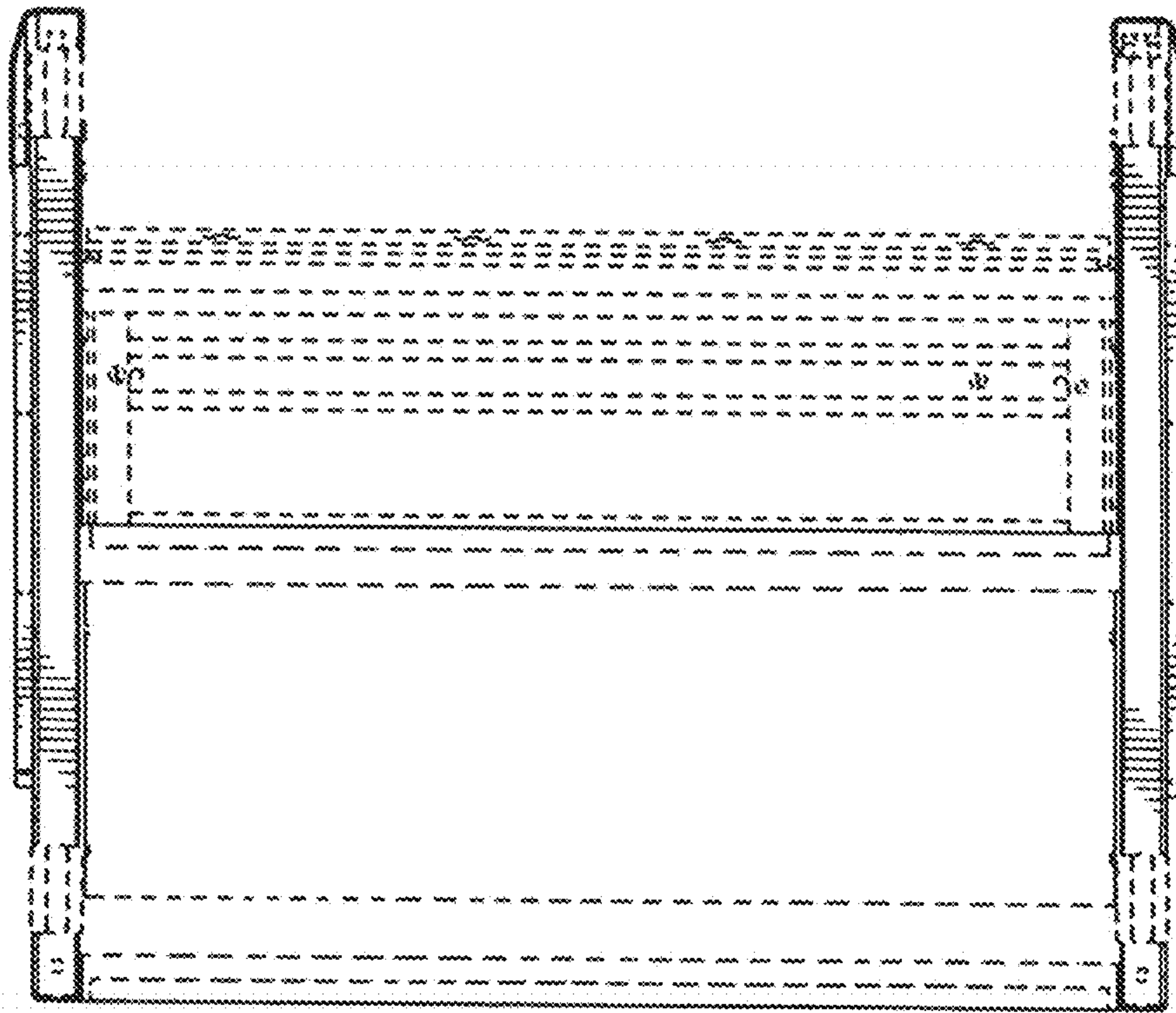


FIG. 7

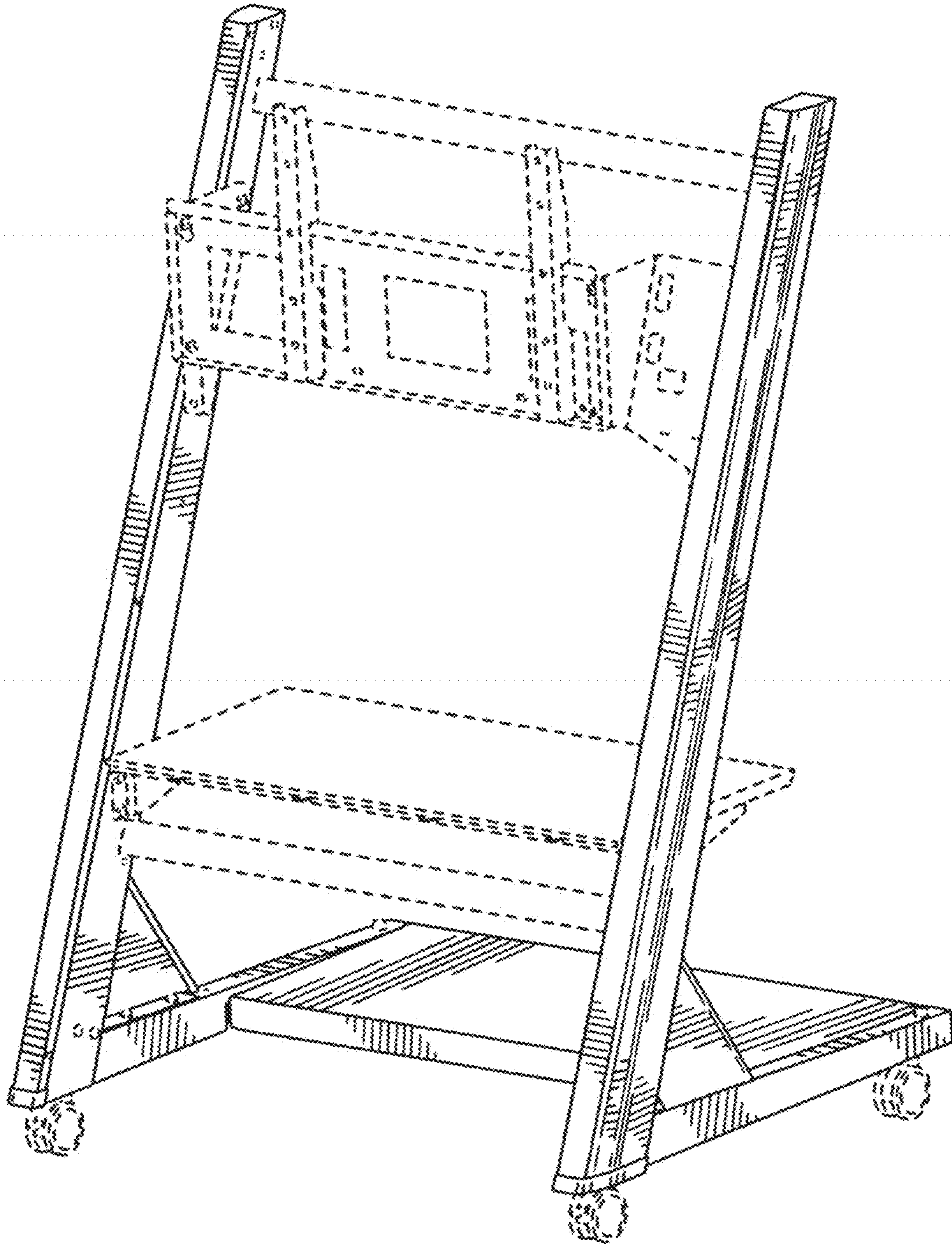


FIG. 8

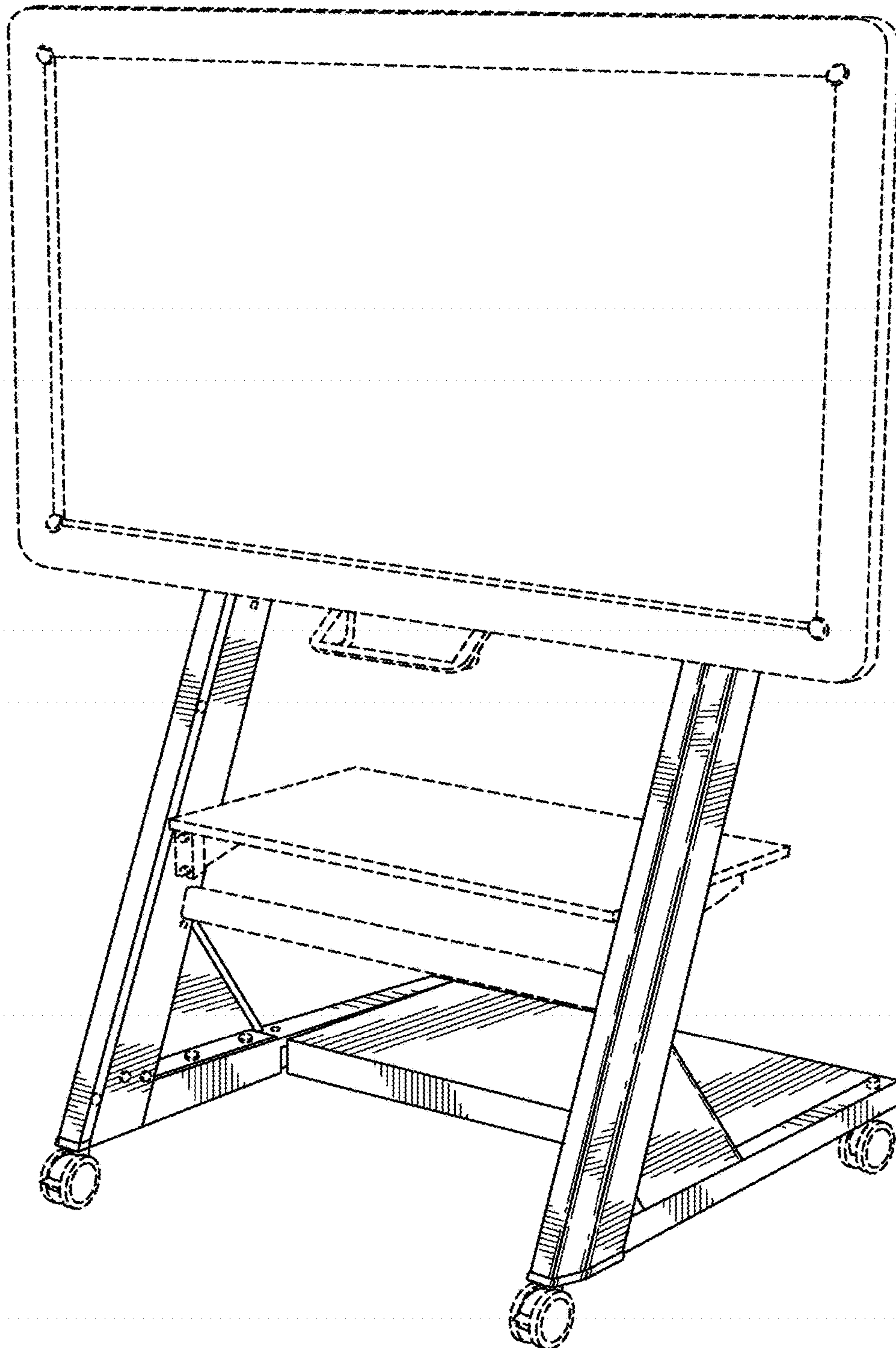


FIG. 9

