



US00D791778S

(12) **United States Design Patent** (10) **Patent No.:** **US D791,778 S**
Miniard (45) **Date of Patent:** **** Jul. 11, 2017**

- (54) **TABLET HOLDER**
- (71) Applicant: **Jerry M Miniard**, Fort Mitchell, KY (US)
- (72) Inventor: **Jerry M Miniard**, Fort Mitchell, KY (US)
- (**) Term: **15 Years**
- (21) Appl. No.: **29/571,508**
- (22) Filed: **Jul. 19, 2016**

- D636,395 S 4/2011 Anderson et al.
- D642,121 S 7/2011 Lee et al.
- D647,525 S 10/2011 Seto
- D657,741 S 4/2012 Fahrendorff et al.
- D661,308 S 6/2012 Capozzoli, II
- D661,309 S 6/2012 Murrer et al.
- D667,403 S 9/2012 Maus
- D668,662 S 10/2012 Suiter
- D670,283 S * 11/2012 Wikel D14/253
- D671,949 S 12/2012 Jeon et al.
- D672,350 S 12/2012 Gioscia et al.
- D672,355 S 12/2012 Lee et al.
- D676,832 S 2/2013 Akana et al.
- D690,308 S 9/2013 McCoy
- D692,009 S 10/2013 Ashida et al.
- D693,826 S 11/2013 Ashida et al.

(Continued)

Related U.S. Application Data

- (60) Division of application No. 29/539,916, filed on Sep. 18, 2015, now Pat. No. Des. 761,799, which is a division of application No. 29/491,755, filed on May 23, 2014, now Pat. No. Des. 741,336, which is a continuation-in-part of application No. 29/473,003, filed on Nov. 18, 2013, now Pat. No. Des. 709,075.
- (51) **LOC (10) Cl.** **08-07**
- (52) **U.S. Cl.**
USPC **D14/447**
- (58) **Field of Classification Search**
USPC D14/447, 432, 434, 439, 440, 451, 452, D14/457, 239; D8/363, 373, 380; D6/406.3, 406.4, 406.5, 406.6; D12/415
CPC A47B 21/04; A47B 2097/006; A47B 2097/005; A47B 2023/049; A45C 2011/002; A45C 2011/003; F16M 2200/00; F16M 13/00
See application file for complete search history.

Primary Examiner — Angela J Lee

(74) *Attorney, Agent, or Firm* — Wood Herron & Evans LLP

(57) **CLAIM**

The ornamental design for a tablet holder, as shown and described.

DESCRIPTION

FIG. 1 is a perspective view of a stand for a tablet device showing the present invention;
 FIG. 2 is a front view thereof;
 FIG. 3 is a left side view thereof; the right side view is a mirror image thereof;
 FIG. 4 is another left side view thereof, but showing the broken line tablet in an alternate position.
 FIG. 5 is a rear view thereof;
 FIG. 6 is a top view thereof; and,
 FIG. 7 is a bottom view thereof.

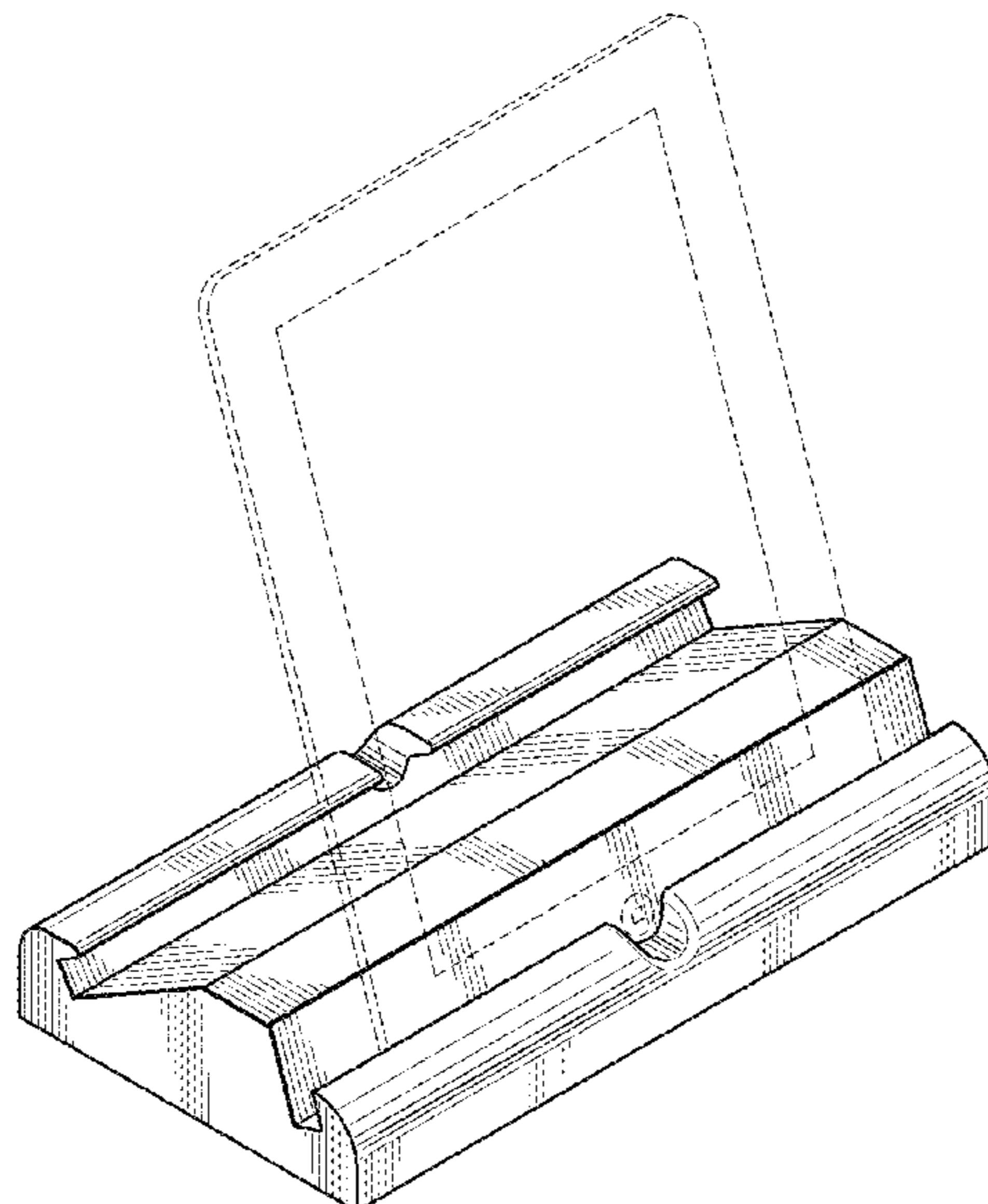
The broken lines form no part of the claimed design and are included to show environmental aspects of the claimed invention. The dash-dot broken lines adjacent to the shaded portions forms an unclaimed boundary of the design.

1 Claim, 3 Drawing Sheets

(56) **References Cited**

U.S. PATENT DOCUMENTS

- D574,375 S 8/2008 Prest et al.
- D590,404 S * 4/2009 Kim D14/447
- D623,188 S 9/2010 Son et al.



(56)

References Cited

U.S. PATENT DOCUMENTS

D696,260	S	12/2013	Merea	
D699,368	S	2/2014	Quilter et al.	
D700,614	S	3/2014	Hamblet	
D701,213	S *	3/2014	Pajic	D14/447
D702,664	S	4/2014	Kim	
D709,075	S	7/2014	Miniard	
D714,297	S *	9/2014	Poulsen	D14/447
D722,062	S *	2/2015	Zwerner	D14/447
D722,064	S *	2/2015	Zwerner	D14/447
D722,065	S *	2/2015	Zwerner	D14/447
D726,187	S *	4/2015	Young	D14/434
D741,336	S	10/2015	Miniard	
D757,730	S *	5/2016	Fletcher	D14/434
D761,799	S *	7/2016	Miniard	D14/447
D769,878	S *	10/2016	Fletcher	D14/434
D771,055	S *	11/2016	Sharma	D14/447
2013/0327904	A1	12/2013	Christal	

* cited by examiner

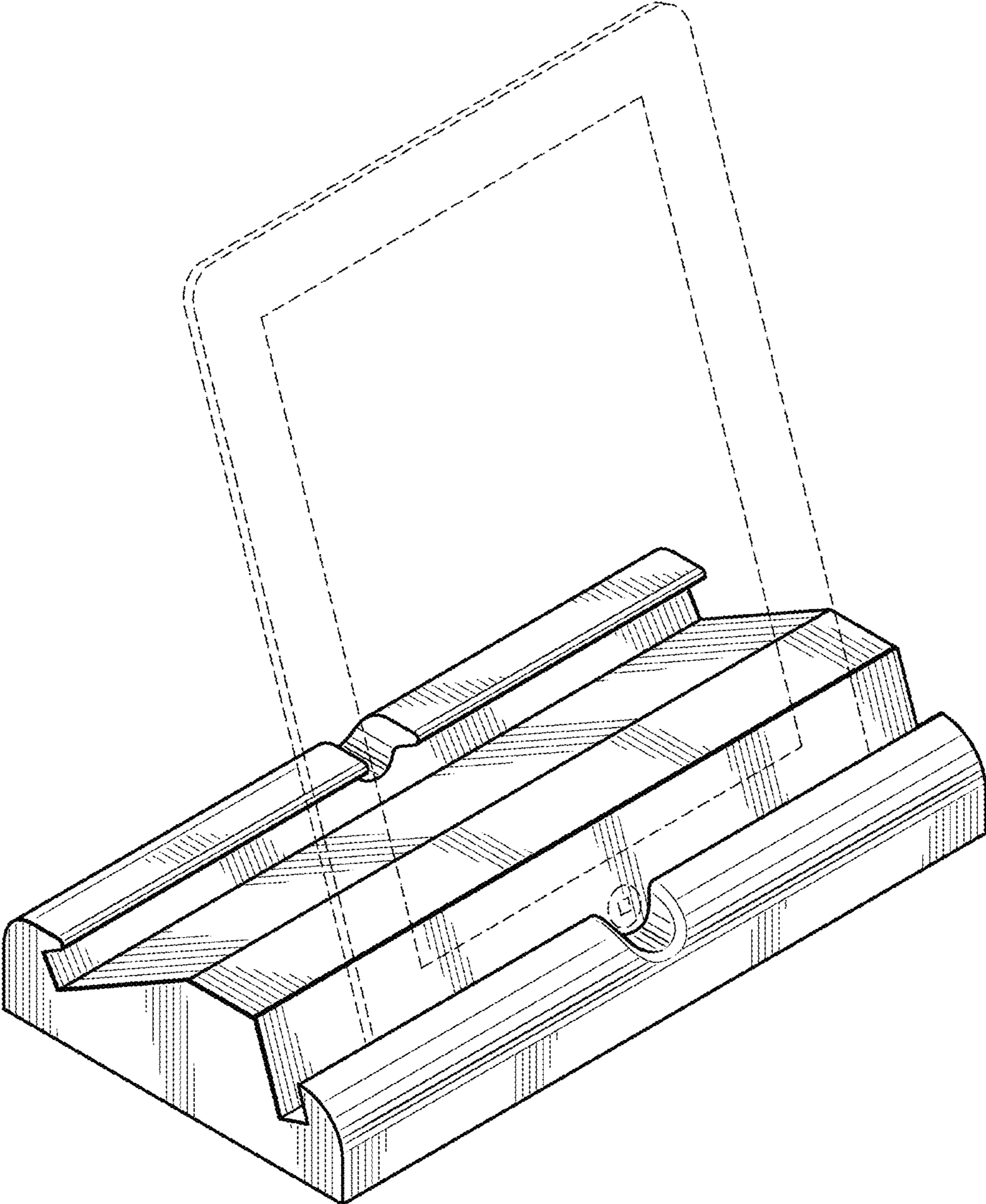


FIG. 1

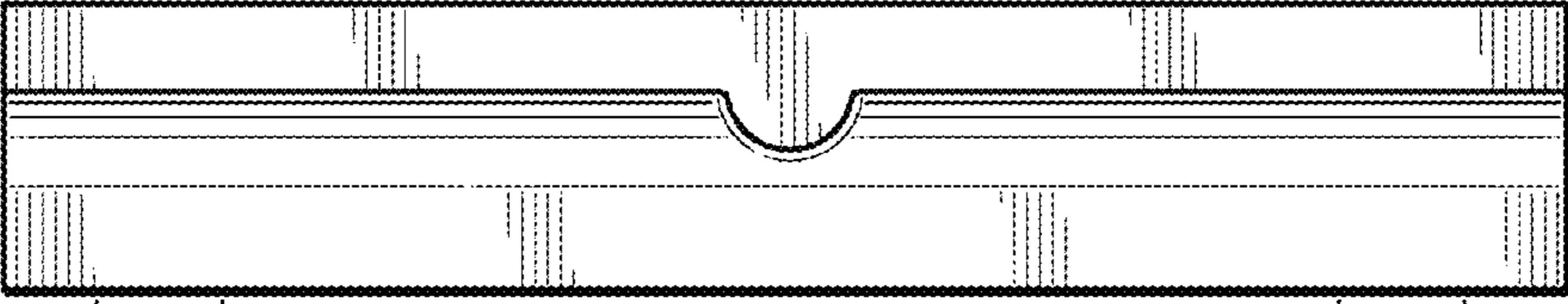


FIG. 2

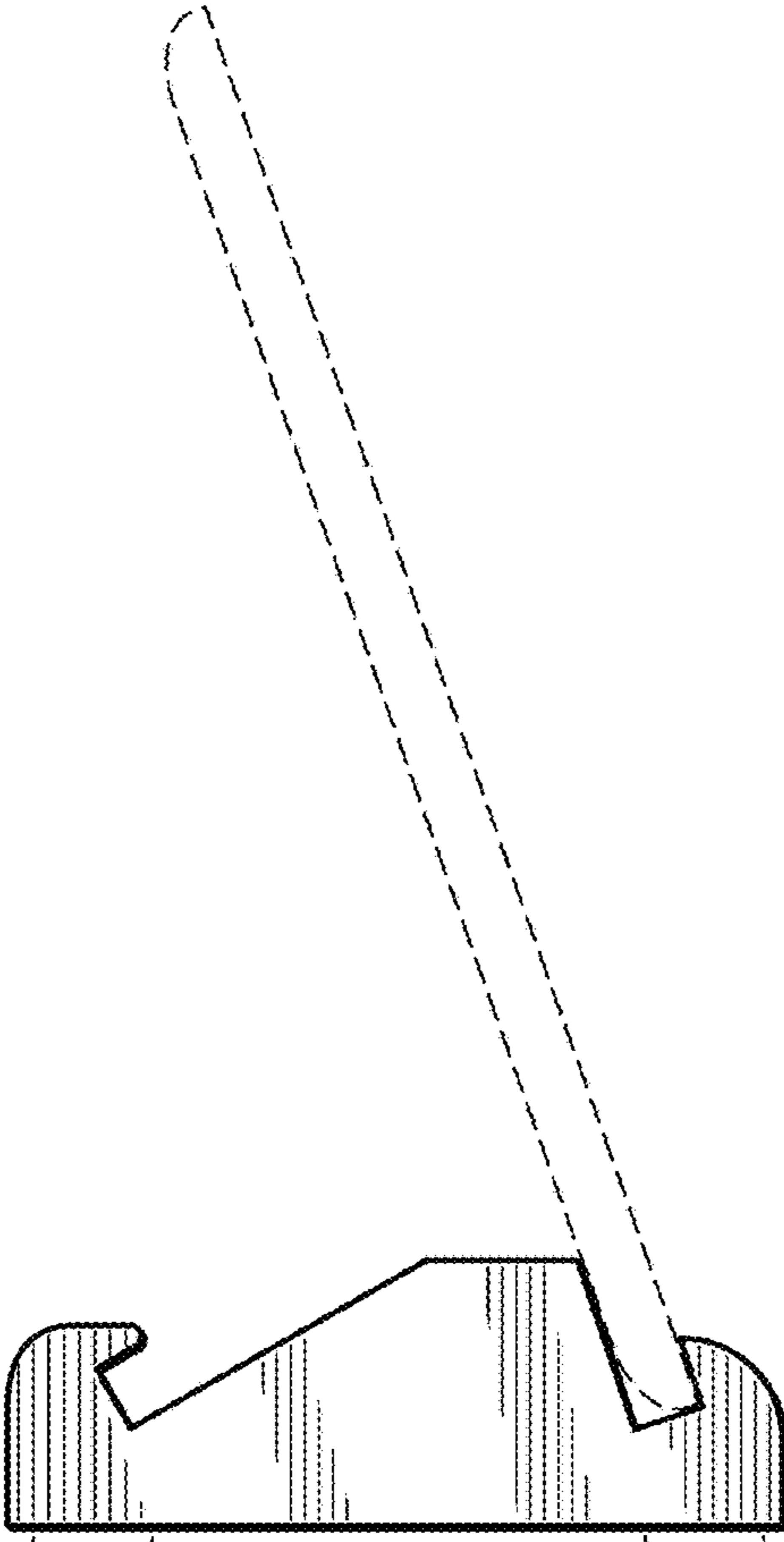


FIG. 3

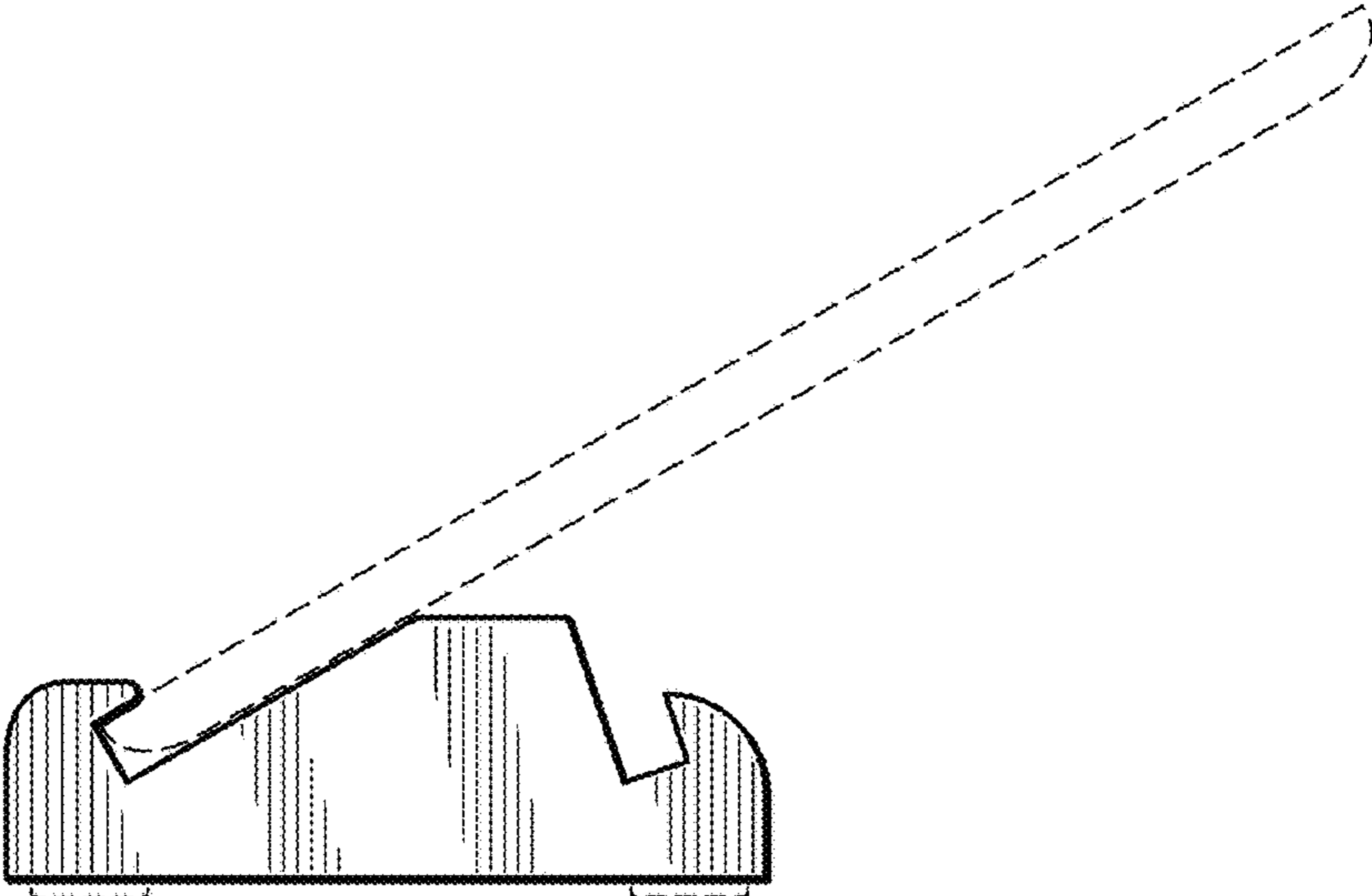


FIG. 4

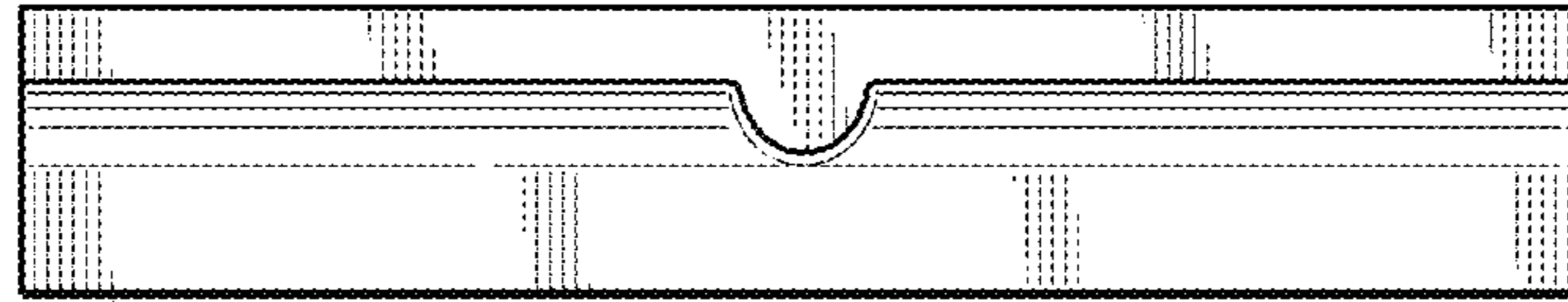


FIG. 5

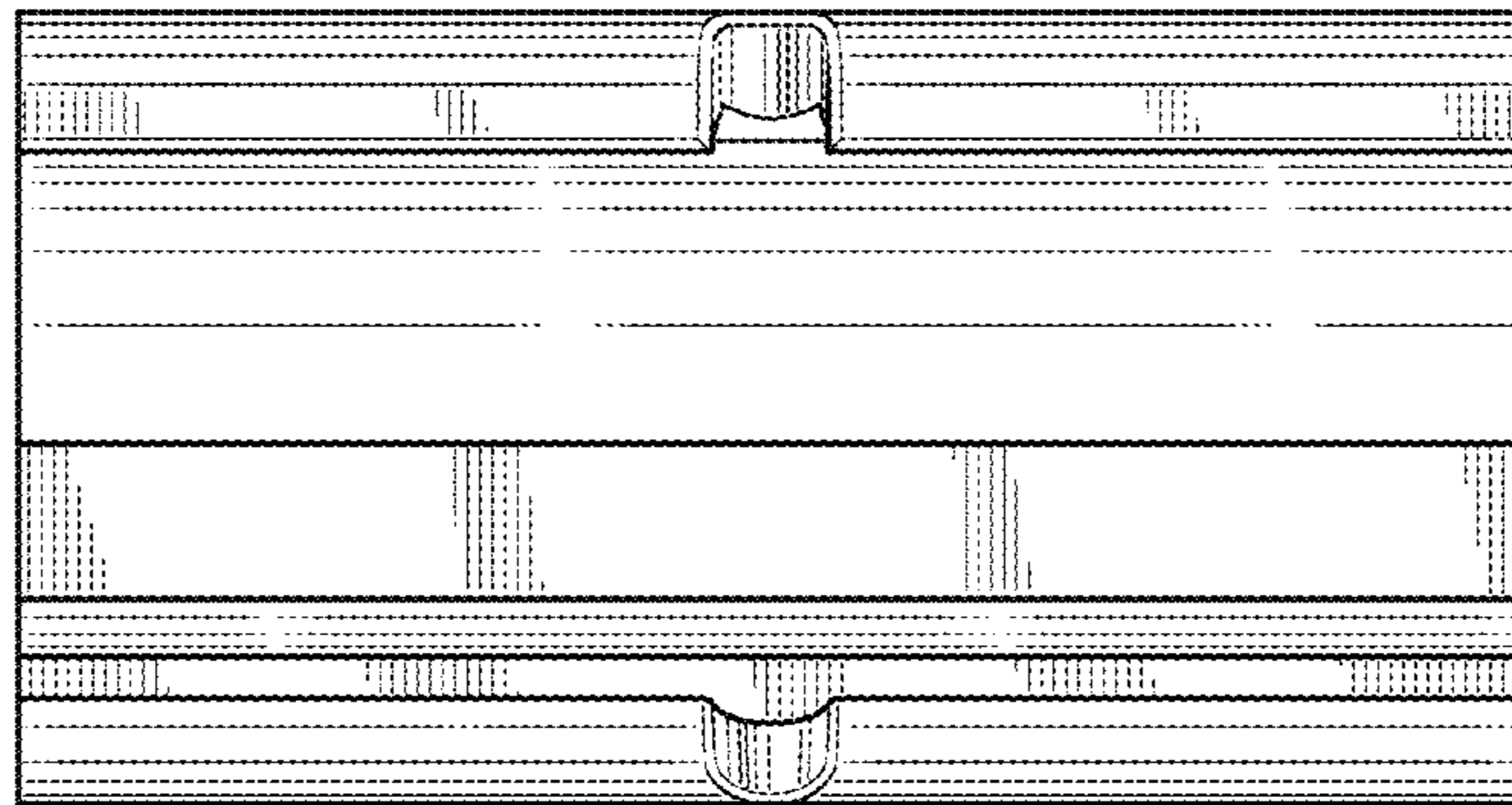


FIG. 6

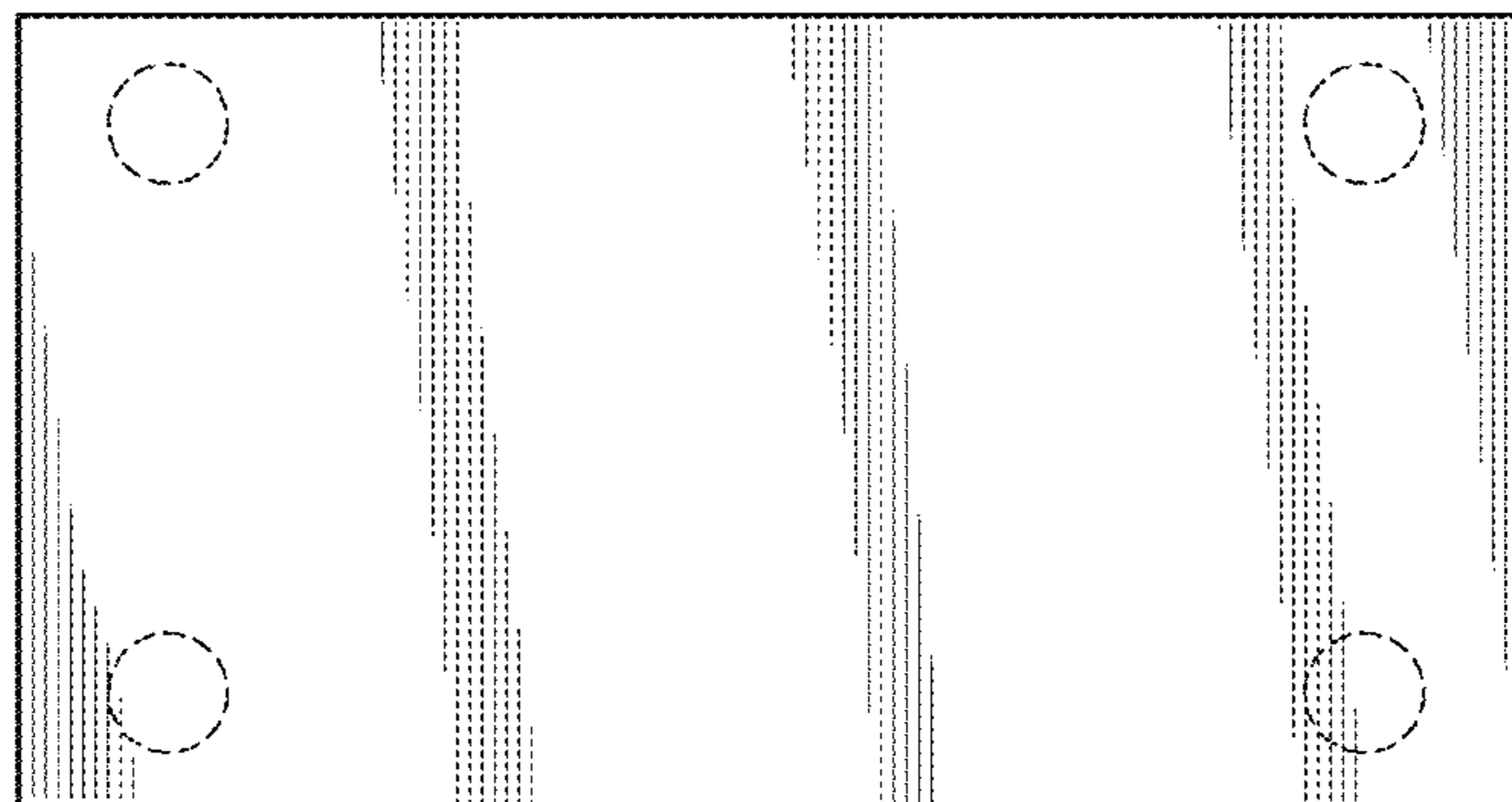


FIG. 7

UNITED STATES PATENT AND TRADEMARK OFFICE
CERTIFICATE OF CORRECTION

PATENT NO. : D791,778 S
APPLICATION NO. : 29/571508
DATED : July 11, 2017
INVENTOR(S) : Jerry M. Miniard

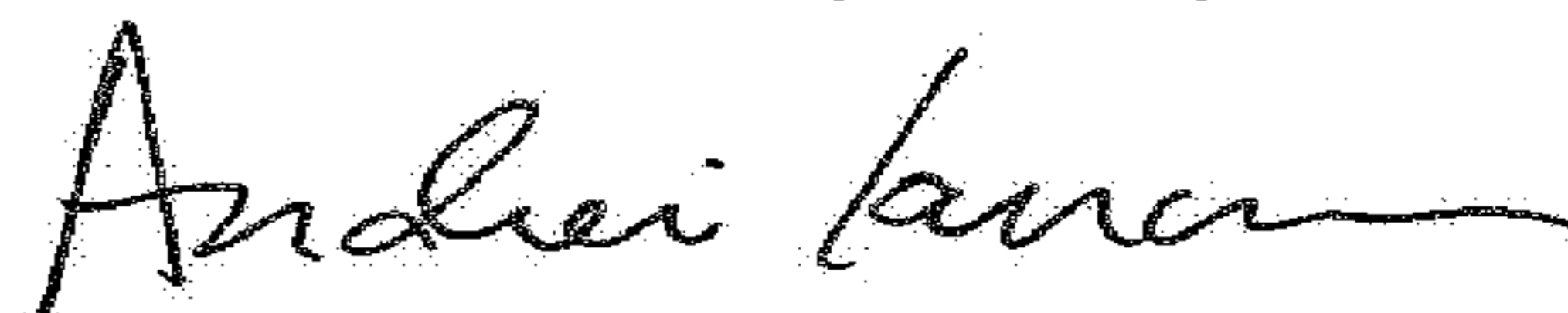
Page 1 of 1

It is certified that error appears in the above-identified patent and that said Letters Patent is hereby corrected as shown below:

On the Title Page

“Description” Line approx. 14 reads. “... portions forms an unclaimed boundary of the design.”
should read “... portions form an unclaimed boundary of the design.”

Signed and Sealed this
Seventeenth Day of July, 2018



Andrei Iancu
Director of the United States Patent and Trademark Office