



US00D791777S

(12) **United States Design Patent** (10) **Patent No.:** **US D791,777 S**
Luo (45) **Date of Patent:** **** Jul. 11, 2017**

(54) **SPORT-CAR MOBILE PHONE STAND**

(71) Applicant: **Tongwen Luo**, Shenzhen (CN)

(72) Inventor: **Tongwen Luo**, Shenzhen (CN)

(**) Term: **15 Years**

(21) Appl. No.: **29/570,296**

(22) Filed: **Jul. 7, 2016**

(51) **LOC (10) Cl.** **08-07**

(52) **U.S. Cl.**
USPC **D14/447**

(58) **Field of Classification Search**
USPC D14/447, 432, 434, 439, 440, 451, 452,
D14/457, 239; D8/363, 373, 380;
D6/406.3, 406.4, 406.5, 406.6; D12/415
CPC A47B 21/04; A47B 2097/006; A47B
2097/005; A47B 2023/049; A45C
2011/002; A45C 2011/003; F16M
2200/00; F16M 13/00

See application file for complete search history.

(56) **References Cited**

U.S. PATENT DOCUMENTS

D294,610 S * 3/1988 Matsumoto D21/581
D301,352 S * 5/1989 Doi D21/581
D322,073 S * 12/1991 Yeh D14/239
D330,203 S * 10/1992 Yeh D14/217
D337,117 S * 7/1993 Yeh D14/217
D423,016 S * 4/2000 Fletcher D14/250

D461,049 S * 8/2002 White D3/218
D487,887 S * 3/2004 Hutchinson D14/508
D525,960 S * 8/2006 McNear D14/143
D530,700 S * 10/2006 Mitchell D14/138 AB
D603,839 S * 11/2009 Willis D14/217
D614,169 S * 4/2010 Jiang D14/207
D699,301 S * 2/2014 Pak D14/143

* cited by examiner

Primary Examiner — Angela J Lee

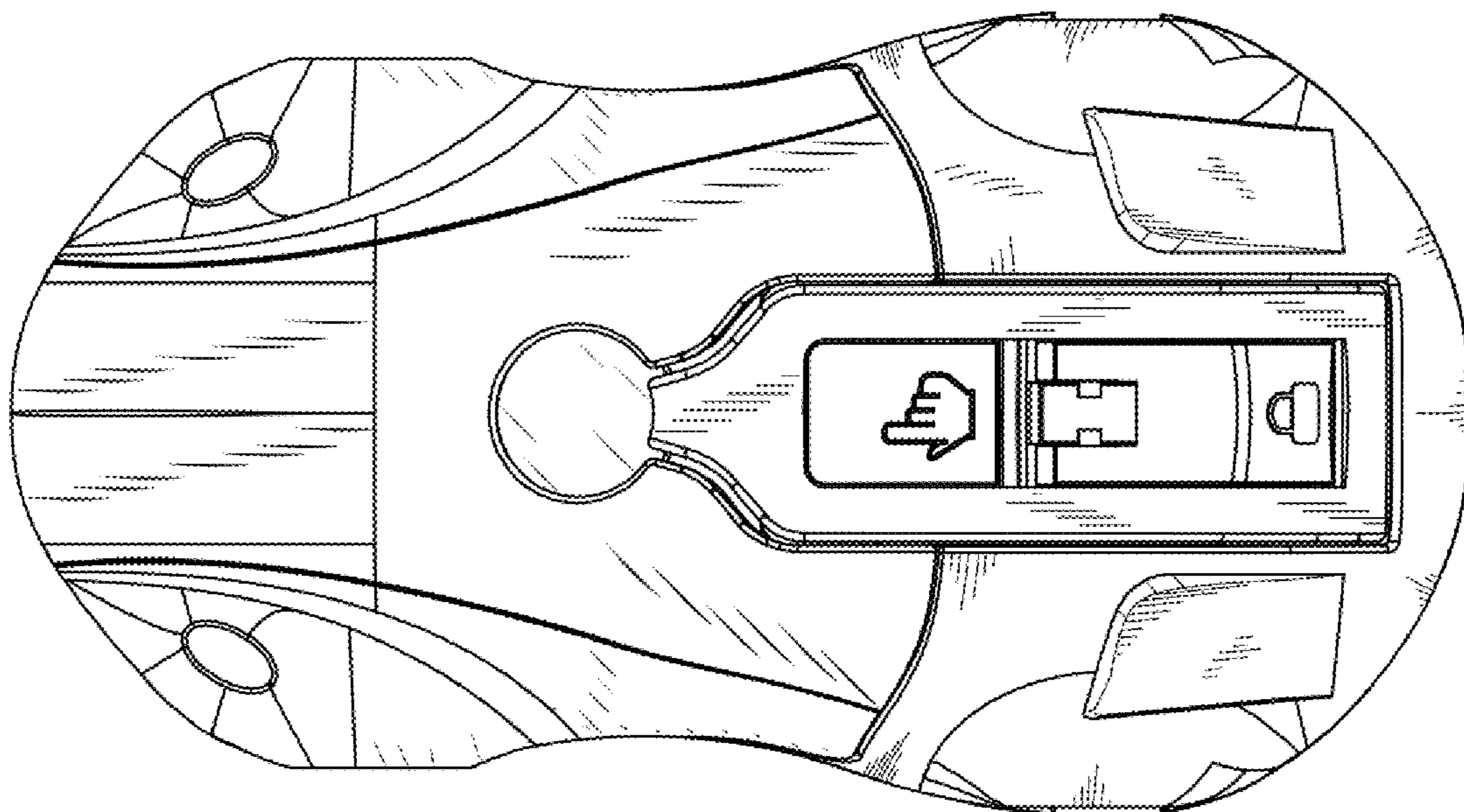
(57) **CLAIM**

The ornamental design for sport-car mobile phone stand, as shown and described.

DESCRIPTION

FIG. 1 is a top plan view of a mobile phone stand showing my new design;
FIG. 2 is a bottom plan view thereof;
FIG. 3 is a front elevational view thereof;
FIG. 4 is a rear elevational view thereof;
FIG. 5 is a right side elevational view thereof;
FIG. 6 is a left side elevational view thereof;
FIG. 7 is a front perspective view thereof; and,
FIG. 8 is a perspective view of a lifted up stand thereof.
The claimed sport-car mobile phone stand is used to hold a mobile phone and the height is adjustable.

1 Claim, 2 Drawing Sheets



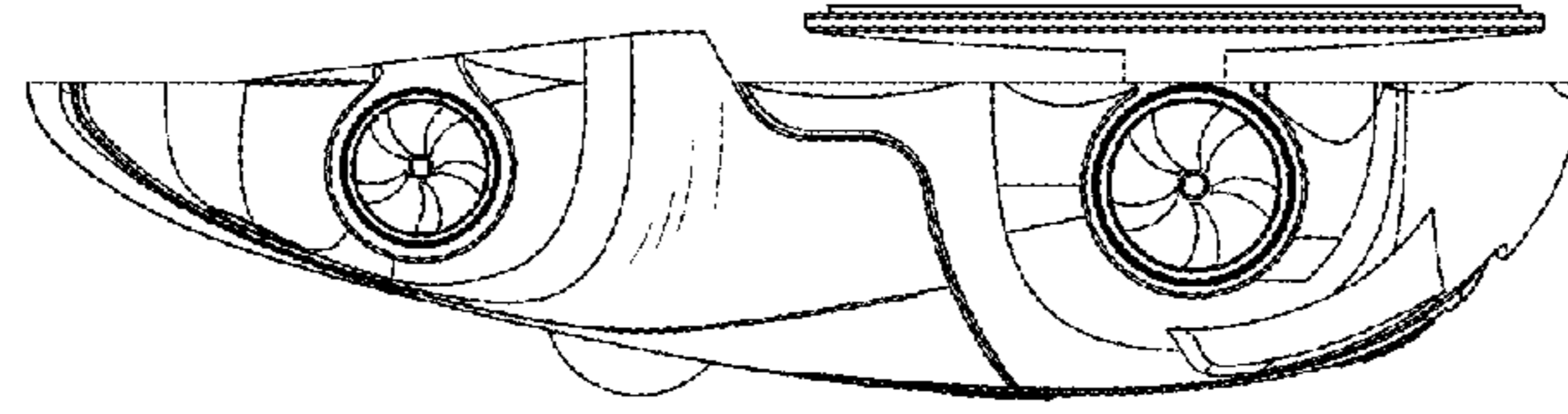


FIG. 5

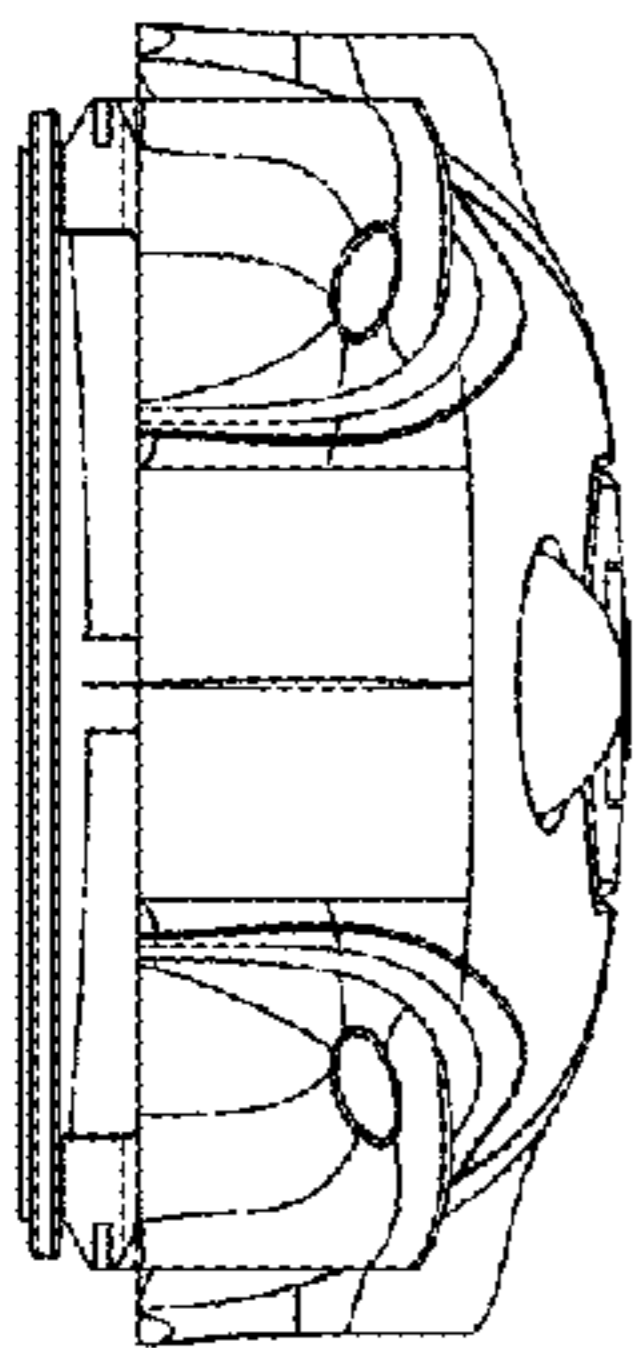


FIG. 3

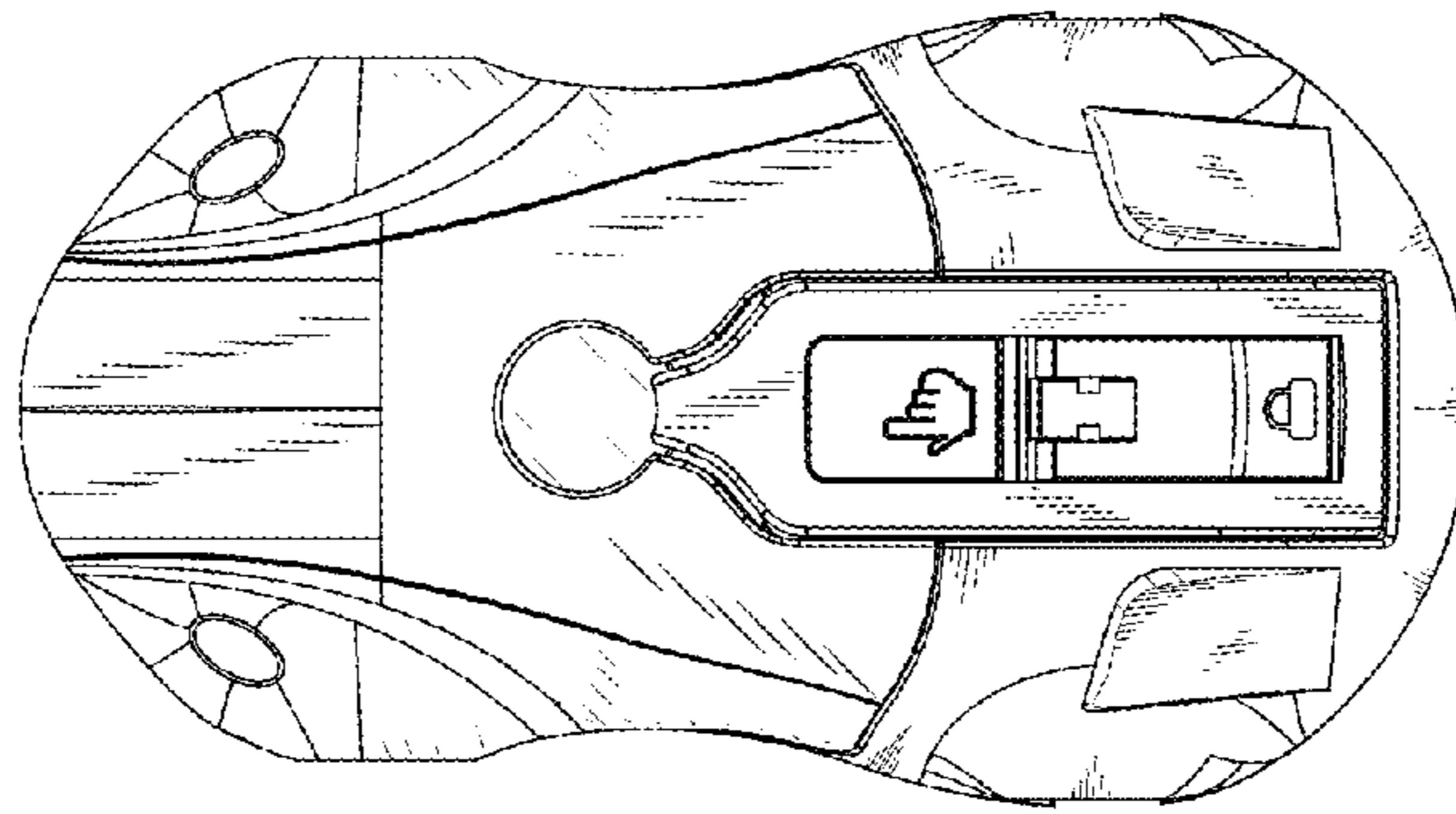


FIG. 1

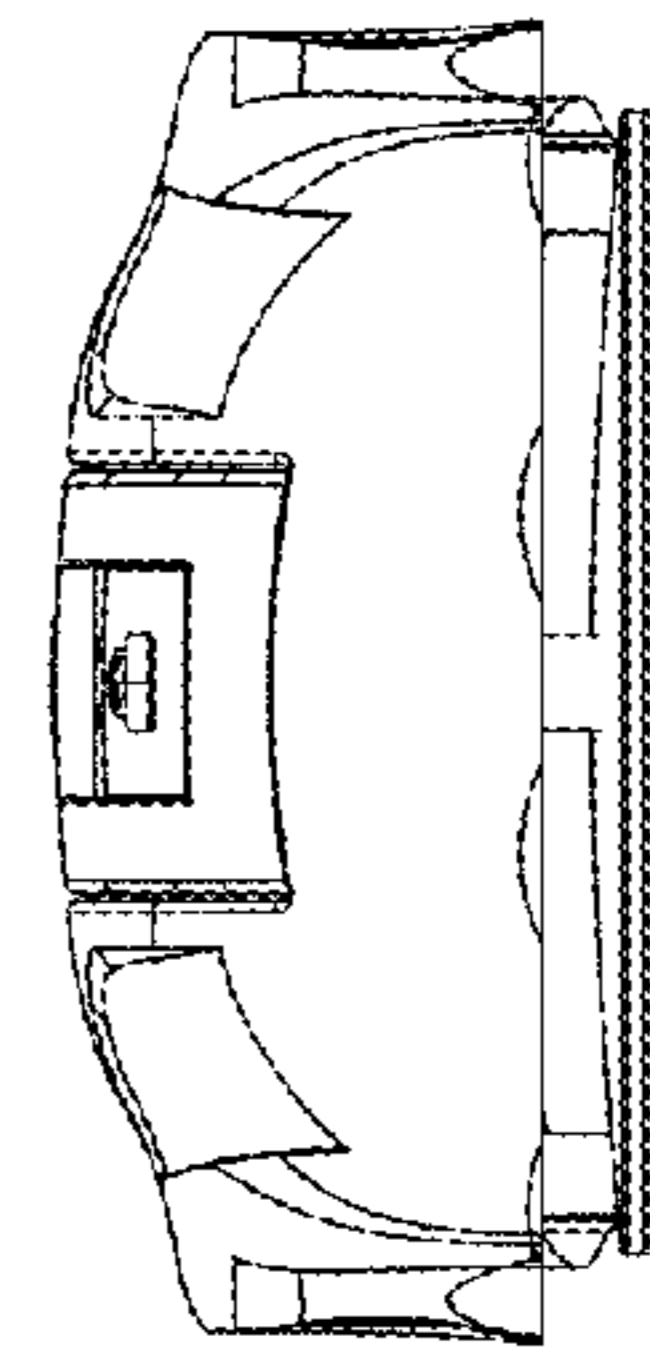


FIG. 4

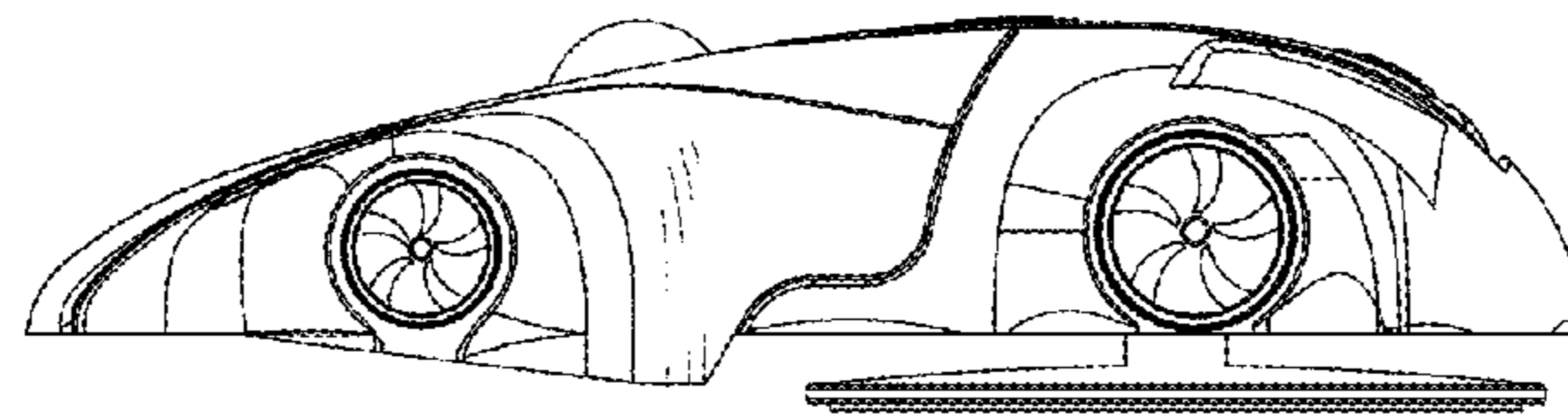


FIG. 6

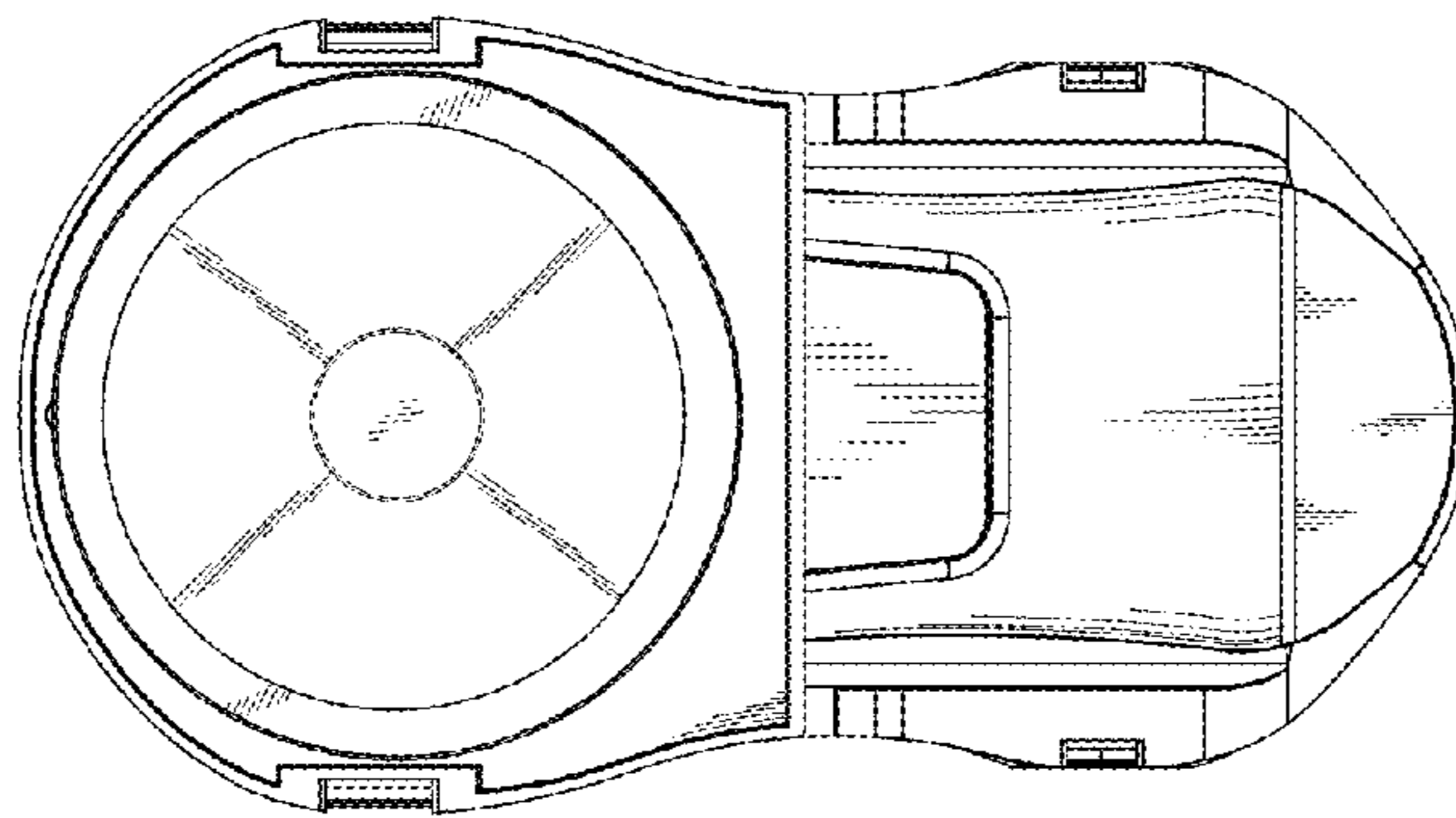


FIG. 2

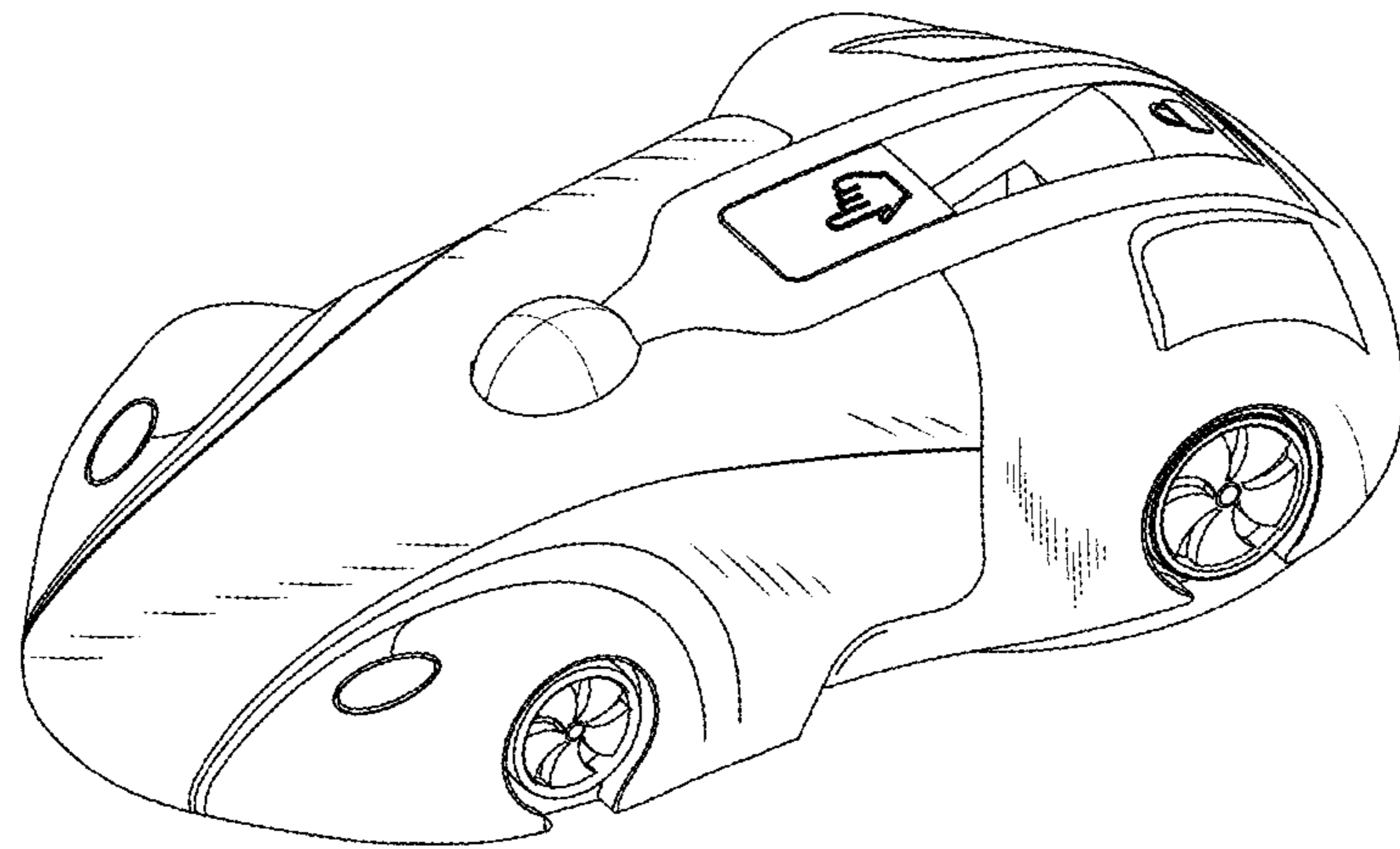


FIG. 7

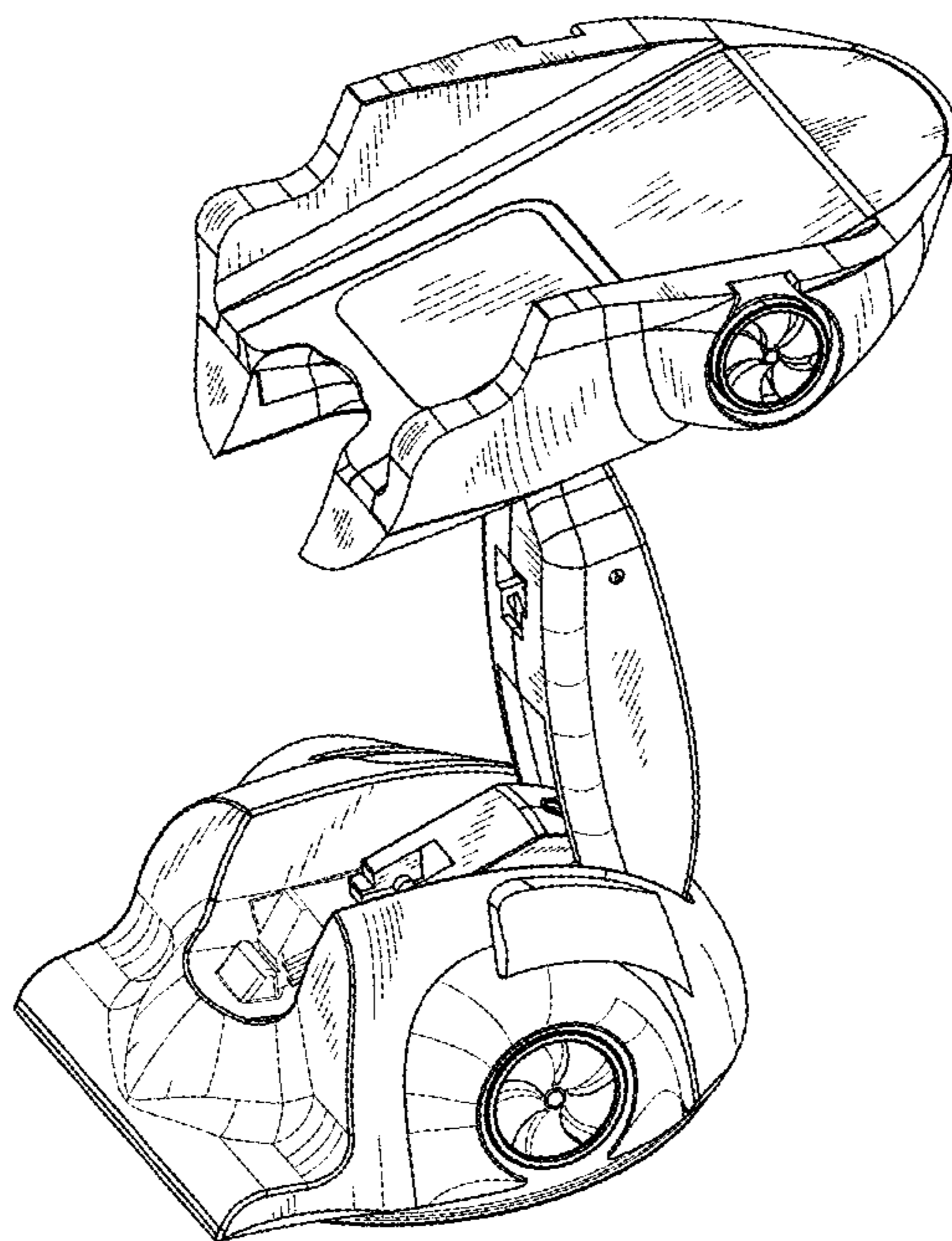


FIG. 8