



US00D791776S

(12) **United States Design Patent** (10) **Patent No.:** **US D791,776 S**
Monsalve (45) **Date of Patent:** **** Jul. 11, 2017**

(54) **COMPUTER SUPPORT**
(71) Applicant: **Humanscale Corporation**, New York, NY (US)
(72) Inventor: **Fabian Monsalve**, New York, NY (US)
(73) Assignee: **Humanscale Corporation**, New York, NY (US)

8,839,723 B2 9/2014 Hazzard et al.
D714,794 S * 10/2014 Quijano D14/447
9,080,721 B2 7/2015 Hazzard et al.
D742,863 S * 11/2015 Aoyagi D14/239
9,267,639 B2 2/2016 Sweere et al.
2007/0205340 A1* 9/2007 Jung F16M 11/24
248/125.9

(Continued)

(**) Term: **15 Years**
(21) Appl. No.: **29/567,416**

OTHER PUBLICATIONS
Dell Monitor Stand User's Guide (USB 3.0 Dock MKS14), Aug. 2015, 23 pgs.

(Continued)

(22) Filed: **Jun. 8, 2016**
(51) **LOC (10) Cl.** **08-07**
(52) **U.S. Cl.**
USPC **D14/447**
(58) **Field of Classification Search**
USPC D14/447, 432, 434, 439, 440, 451, 452,
D14/457, 239; D12/415; D6/406.3,
D6/406.4, 406.5, 406.6; D8/363, 373,
D8/380
CPC A47B 21/04; A47B 2097/006; A47B
2097/005; A47B 2023/049; A45C
2011/002; A45C 2011/003; F16M
2200/00; F16M 13/00
See application file for complete search history.

Primary Examiner — Angela J Lee
(74) *Attorney, Agent, or Firm* — Womble Carlyle
Sandridge & Rice, LLP

(57) **CLAIM**

I claim the ornamental design for a computer support, as shown and described.

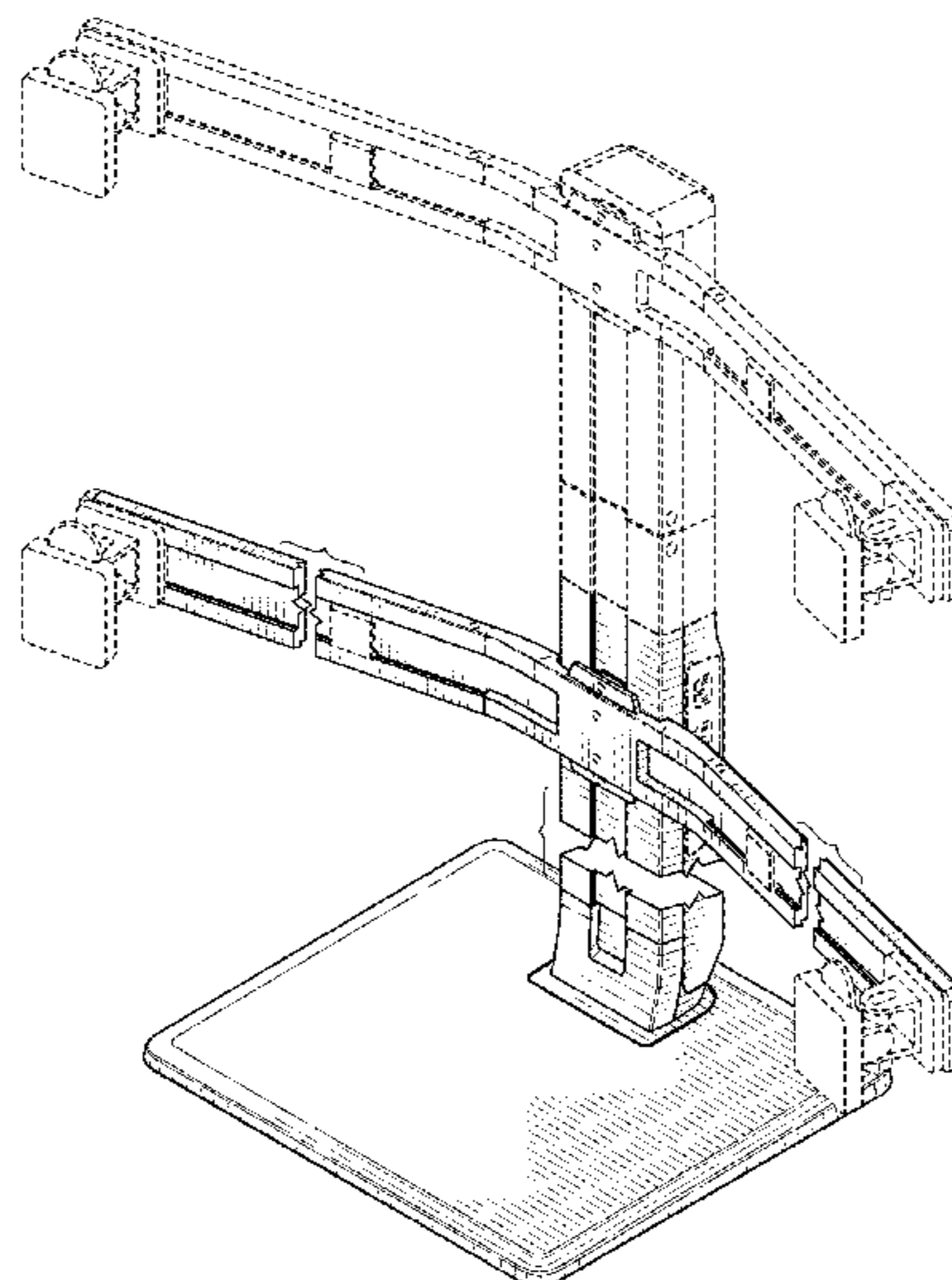
DESCRIPTION

FIG. 1 is a top front right perspective view of my new design;
FIG. 2 is a top rear left perspective view thereof;
FIG. 3 is a front view thereof;
FIG. 4 is a rear view thereof;
FIG. 5 is a left side view thereof; and,
FIG. 6 is a top cross section view taken at line 6-6 in FIG. 5.

The views of the computer support not shown form no part of the claimed design. The dash-dash lines in the figures show unclaimed features and unclaimed environmental elements. The dash-dot lines represent unclaimed boundaries of the claimed design. The use of a separation and a bracket are included to disclaim the particular length of the bracketed element.

1 Claim, 5 Drawing Sheets

(56) **References Cited**
U.S. PATENT DOCUMENTS
D491,952 S * 6/2004 Oddsen D14/447
7,061,754 B2 * 6/2006 Moscovitch F16M 11/10
248/917
D549,232 S * 8/2007 Li D14/434
D624,083 S * 9/2010 Scheper D14/452
D624,084 S * 9/2010 Scheper D14/452
D649,552 S * 11/2011 Huang F16M 11/08
D14/452
D706,275 S * 6/2014 Derry D14/452
D707,230 S * 6/2014 Castronovo D14/447
D709,896 S * 7/2014 McKinstry D14/447



(56)

References Cited

U.S. PATENT DOCUMENTS

2008/0117578 A1* 5/2008 Moscovitch F16M 11/105
361/679.04
2009/0134285 A1* 5/2009 Huang F16M 11/08
248/124.1

OTHER PUBLICATIONS

Ergotron DS100 Quad-Monitor Desk Stand, <http://ergotron.com/ProductsDetails/tabid/65/PRDID/196/language/en-US/Default.aspx>, known at least as early as Jun. 7, 2016, 2 pgs.
Humanscale's Quickstand Workstation, <http://www.humanscale.com/products/product.cfm?group=quickstand>, known at least as early as Jun. 7, 2016, 3 pgs.

* cited by examiner

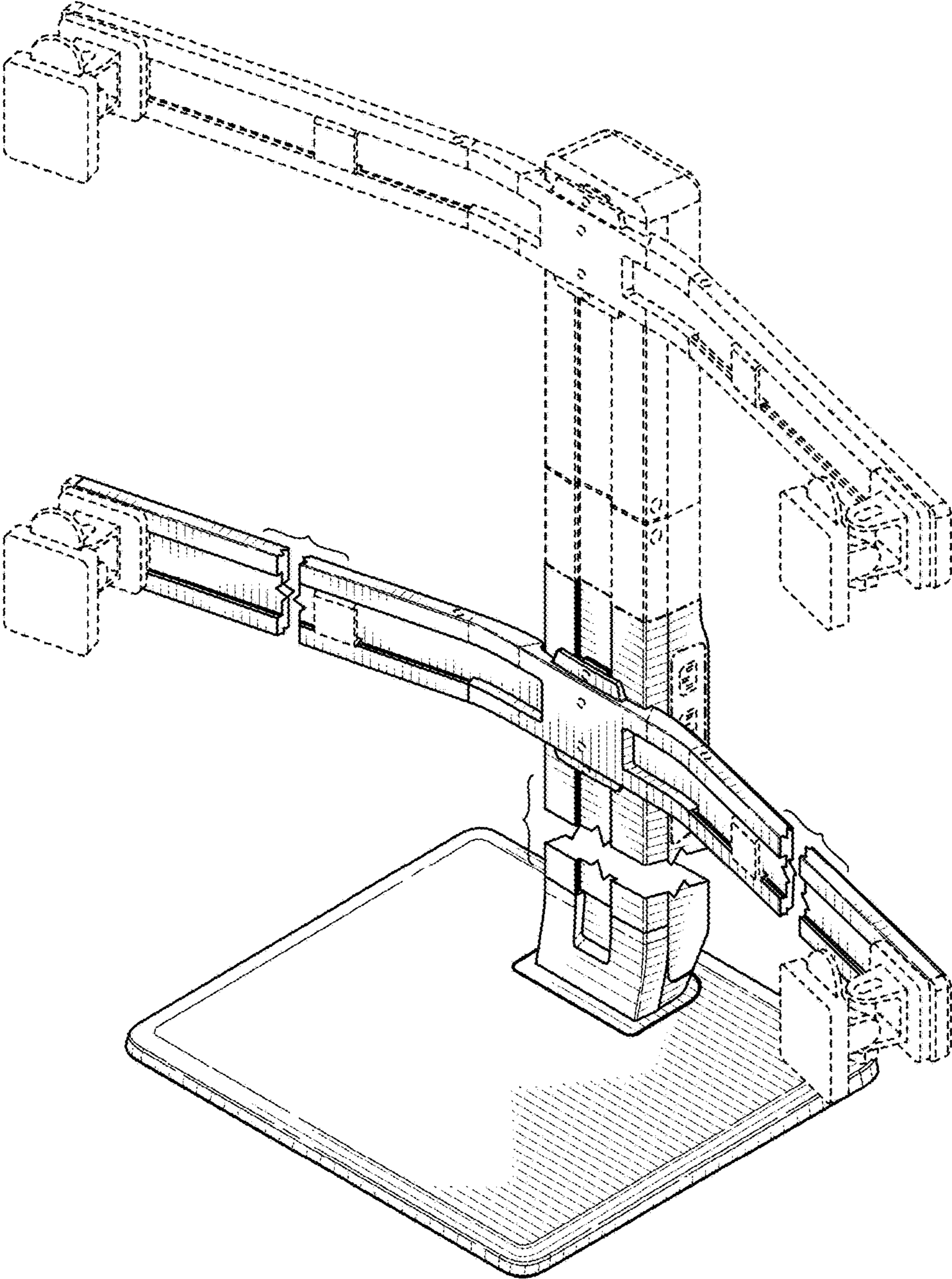


FIG. 1

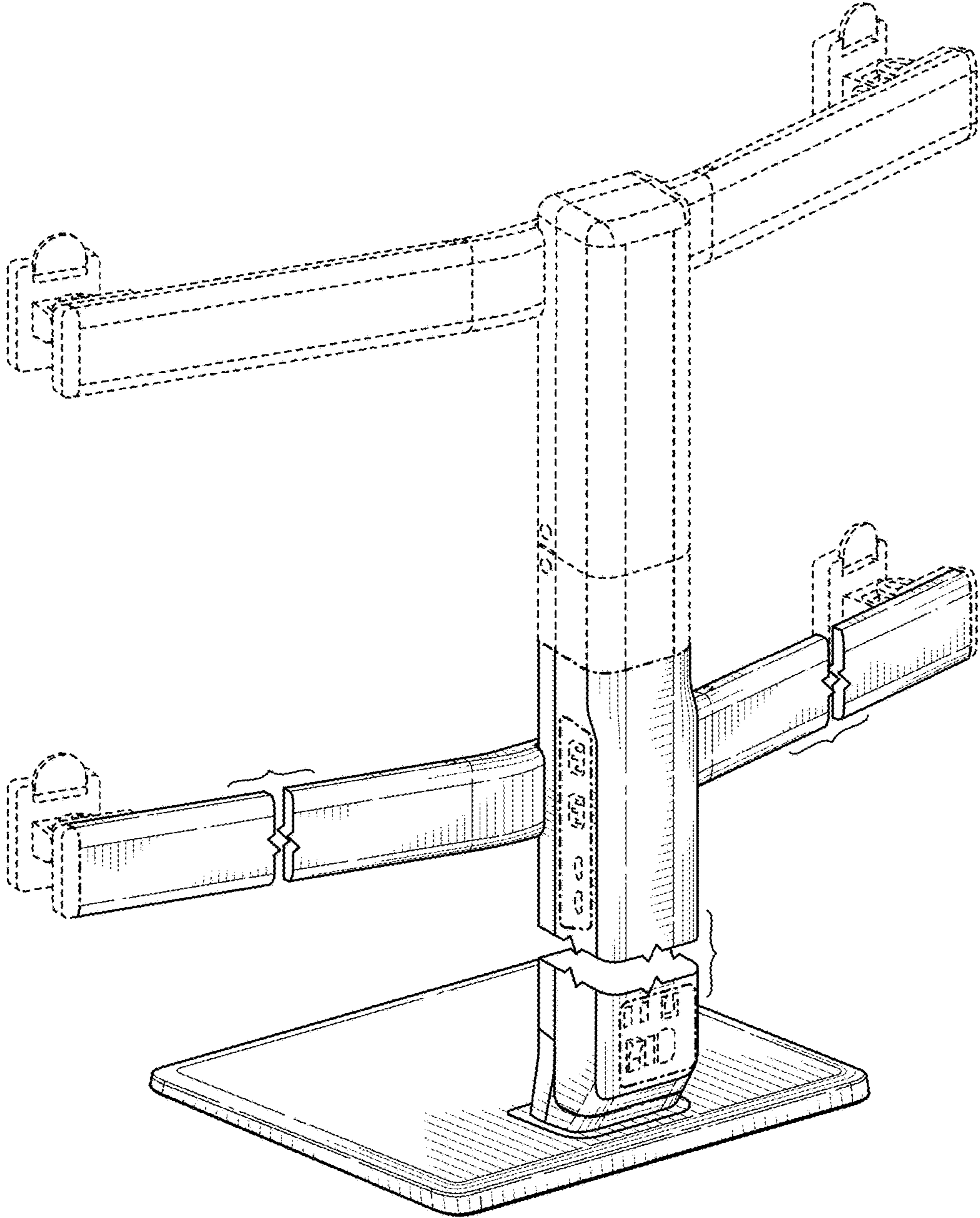


FIG. 2

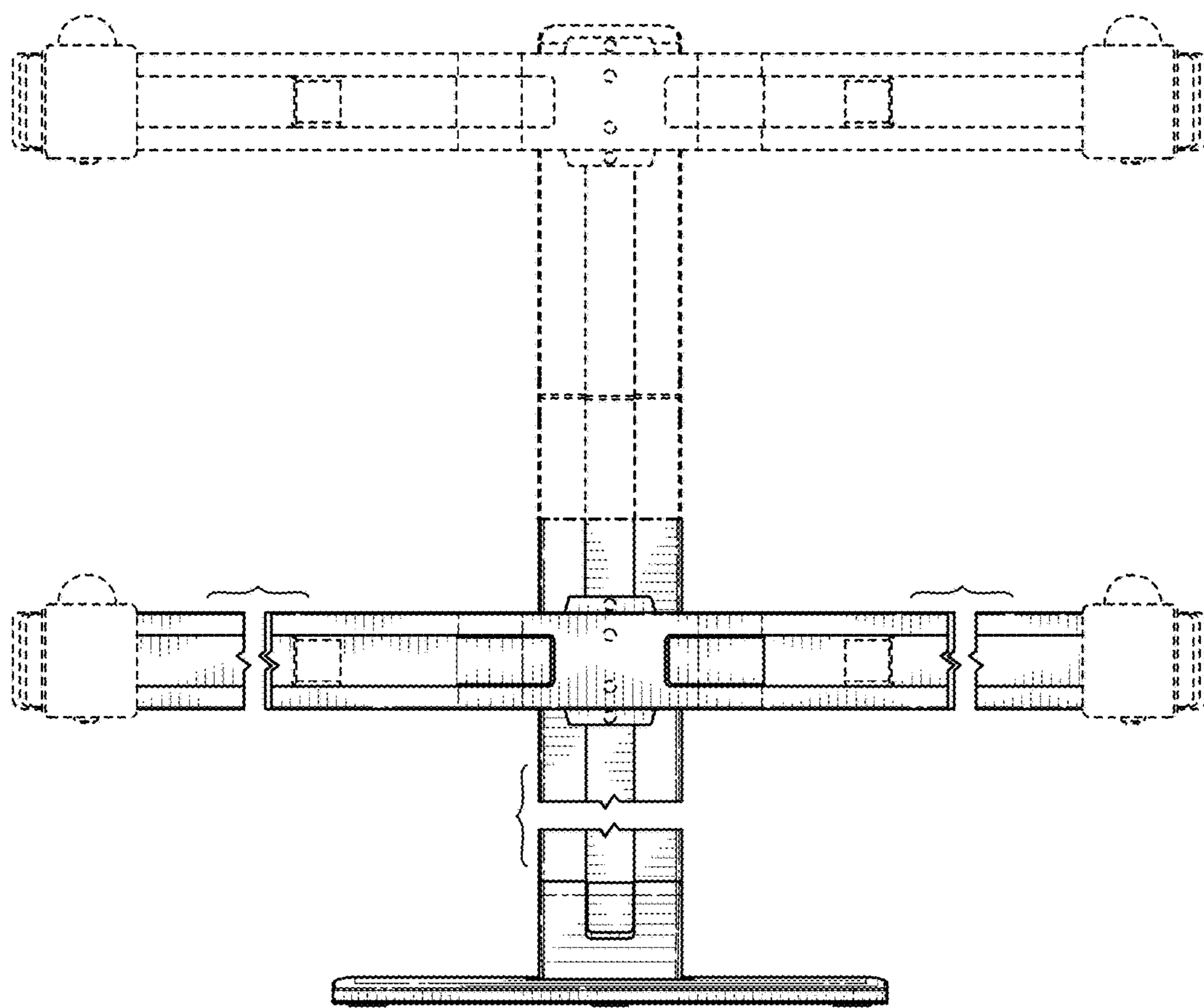


FIG. 3

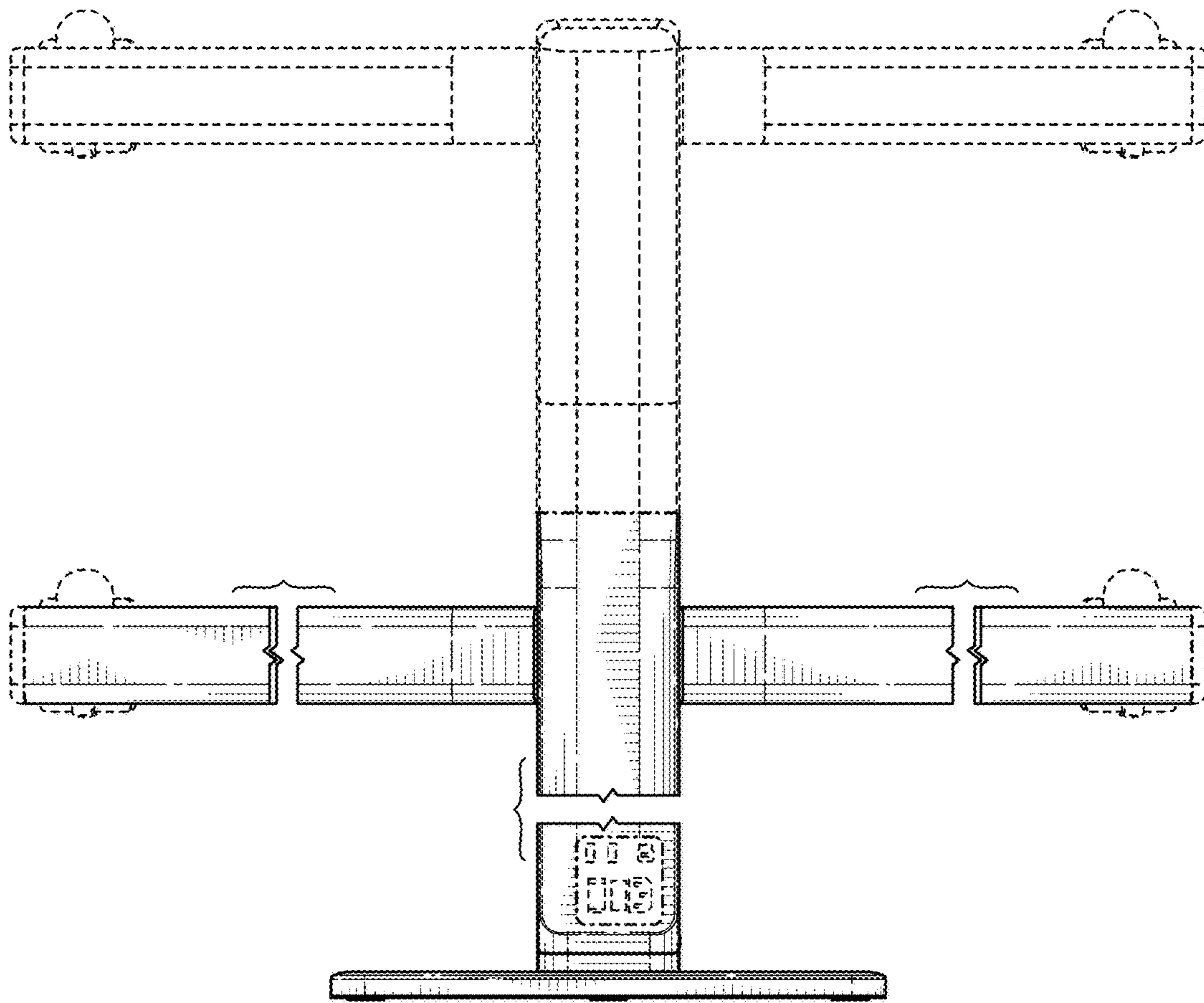


FIG. 4

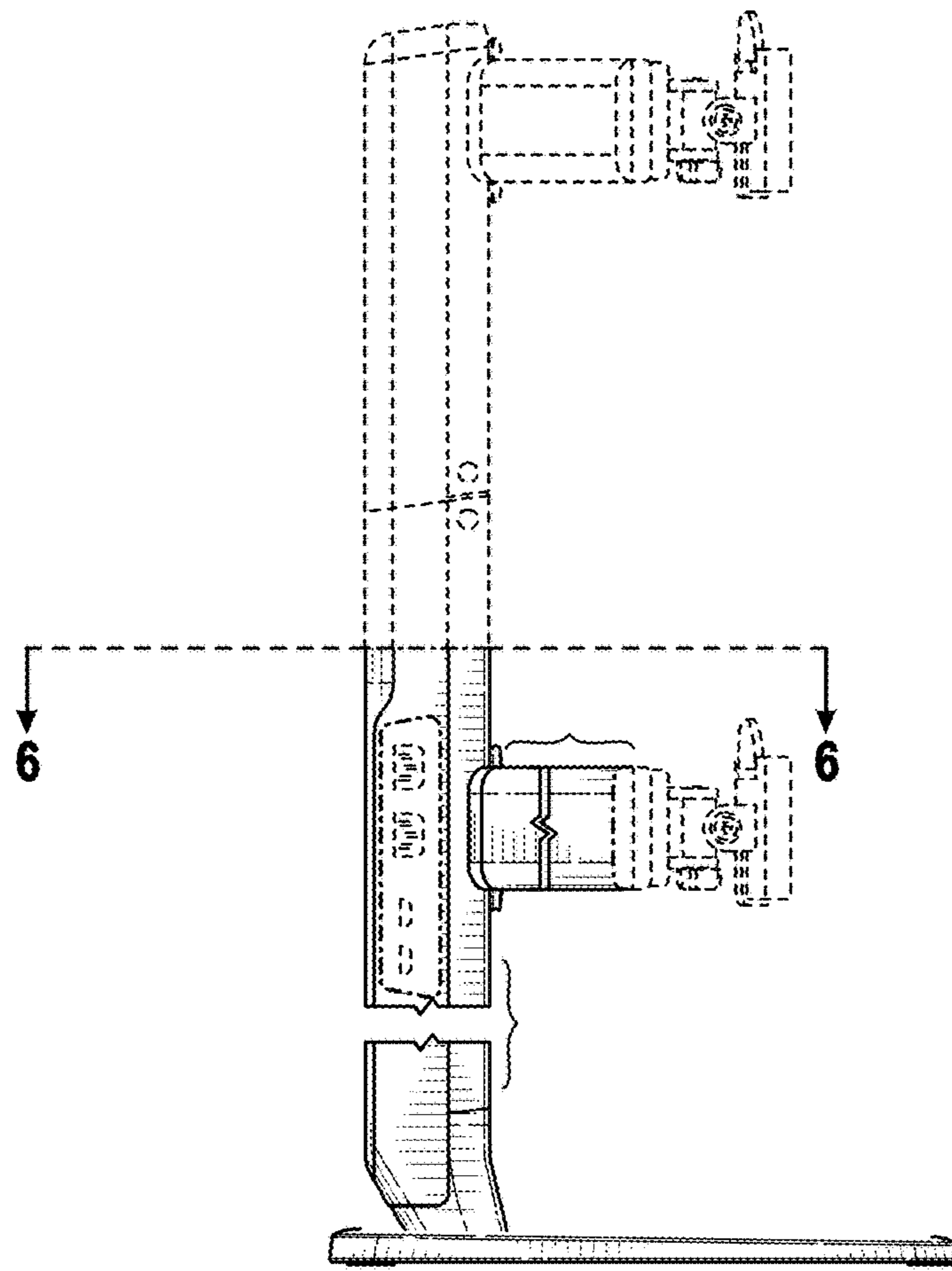


FIG. 5

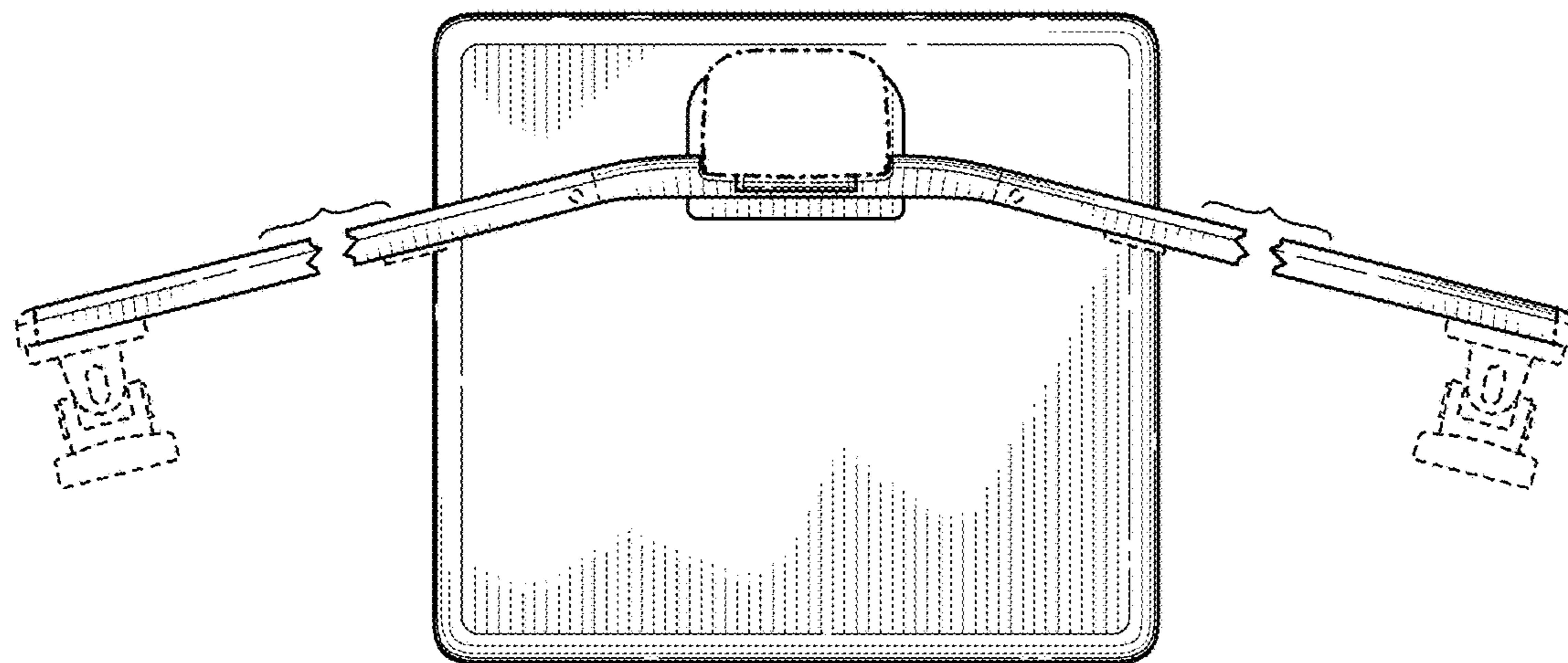


FIG. 6