

US00D791775S

(12) **United States Design Patent** (10) **Patent No.:** **US D791,775 S**
Park et al. (45) **Date of Patent:** **** Jul. 11, 2017**

(54) **CRADLE FOR WEARABLE DEVICE**

(71) Applicant: **LG ELECTRONICS INC.**, Seoul (KR)

(72) Inventors: **Seala Park**, Seoul (KR); **Dongsoon Kim**, Seoul (KR); **Junseop Lee**, Seoul (KR)

(73) Assignee: **LG ELECTRONICS INC.**, Seoul (KR)

(**) Term: **15 Years**

(21) Appl. No.: **29/534,877**

(22) Filed: **Jul. 31, 2015**

(30) **Foreign Application Priority Data**

Feb. 2, 2015 (KR) 30-2015-0005721

(51) **LOC (10) Cl.** **08-07**

(52) **U.S. Cl.**
USPC **D14/447**

(58) **Field of Classification Search**
USPC D14/447, 432, 434, 439, 440, 451, 452, D14/457, 239; D12/415; D6/406.3, D6/406.4, 406.5, 406.6; D8/363, 373, D8/380; D3/218
CPC A47B 21/04; A47B 2097/006; A47B 2097/005; A47B 2023/049; A45C 2011/002; A45C 2011/003; F16M 2200/00; F16M 13/00
See application file for complete search history.

(56) **References Cited**

U.S. PATENT DOCUMENTS

D456,026 S * 4/2002 Goto D14/432
D671,924 S * 12/2012 Choi D14/239

D673,528 S * 1/2013 Trotsky D14/217
D688,252 S * 8/2013 Paul D14/205
D692,898 S * 11/2013 Luijben D14/447
D694,249 S * 11/2013 Akana D14/447
D719,959 S * 12/2014 Vogel D14/447
D719,961 S * 12/2014 Xiang D14/447
D757,014 S * 5/2016 Hahn D13/108
D763,967 S * 8/2016 Kujawski D14/401
D764,597 S * 8/2016 Kujawski D14/401
D769,234 S * 10/2016 Rami D14/253
D775,627 S * 1/2017 Yang D14/217

* cited by examiner

Primary Examiner — Angela J Lee

(74) *Attorney, Agent, or Firm* — Birch, Stewart, Kolasch & Birch, LLP

(57) **CLAIM**

The ornamental design for a cradle for wearable device, as shown and described.

DESCRIPTION

FIG. 1 is a perspective view of a cradle for wearable device showing our new design;
FIG. 2 is a front view thereof;
FIG. 3 is a rear view thereof;
FIG. 4 is a left side view thereof;
FIG. 5 is a right side view thereof;
FIG. 6 is a top plan view thereof;
FIG. 7 is a bottom plan view thereof; and,
FIG. 8 is a reference view thereof showing the state that the wearable device is attached to the subject design.
The broken lines depict portions of the cradle for wearable device that form no part of the claimed design.

1 Claim, 8 Drawing Sheets

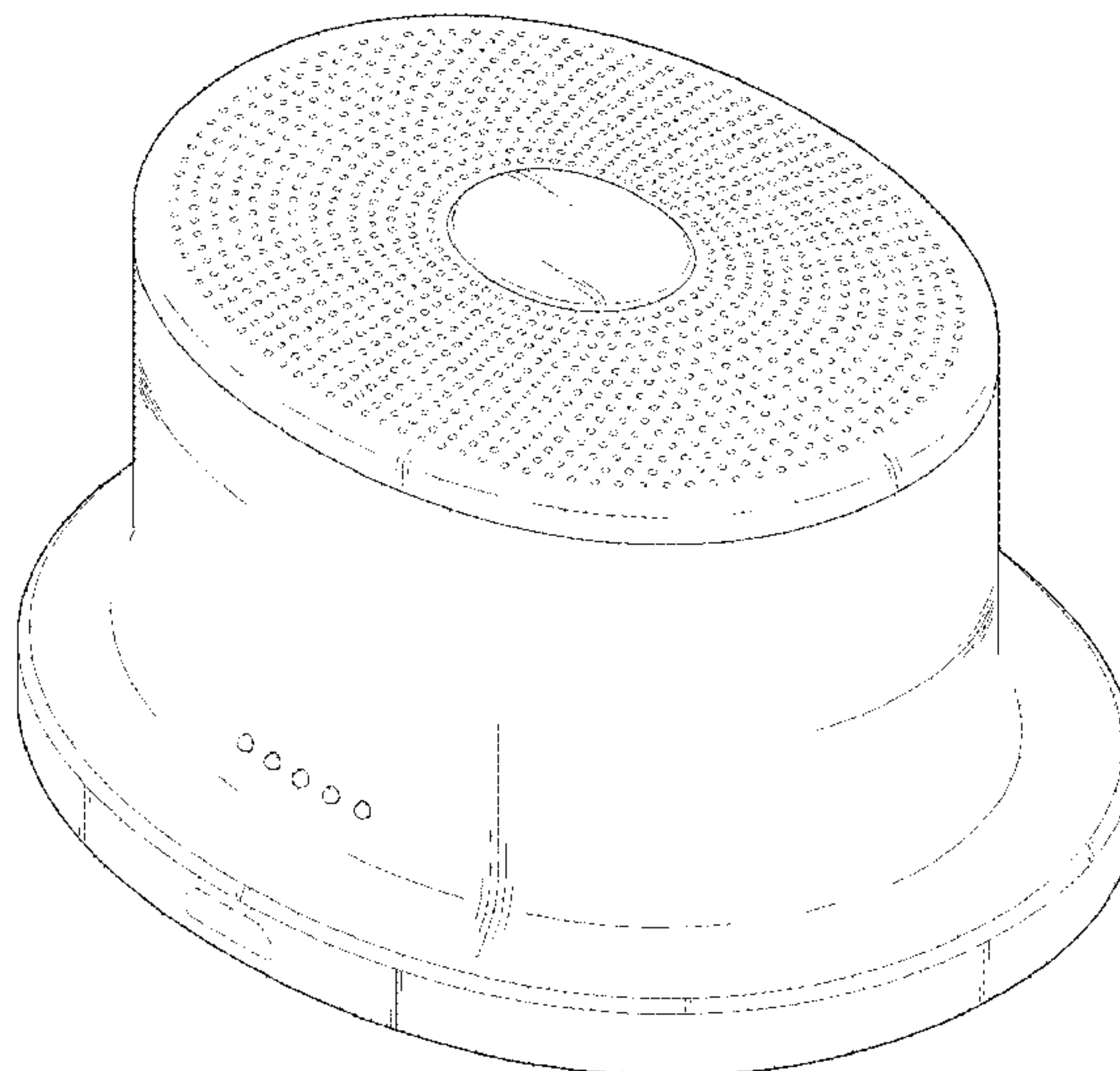


FIG. 1

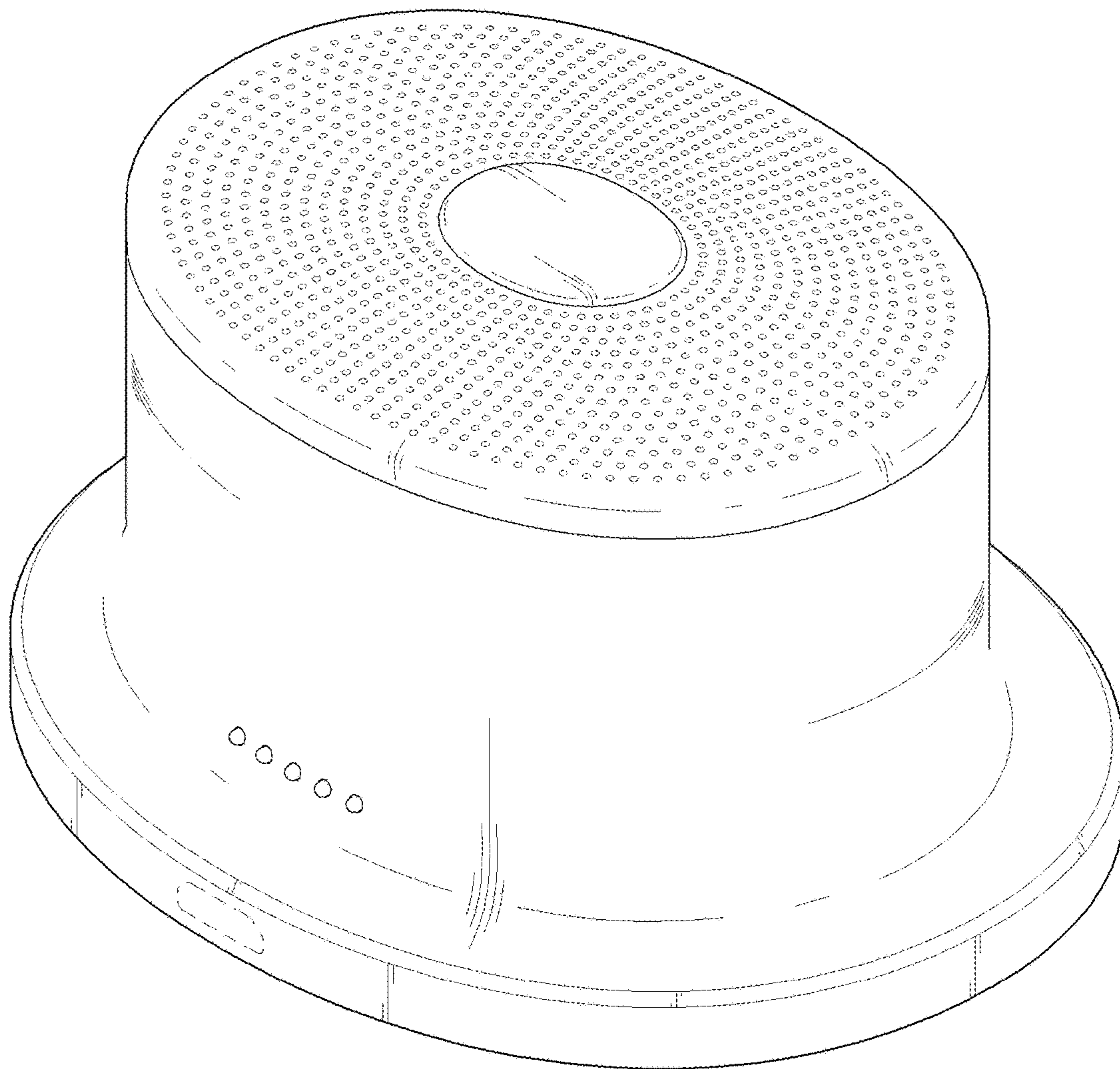


FIG. 2

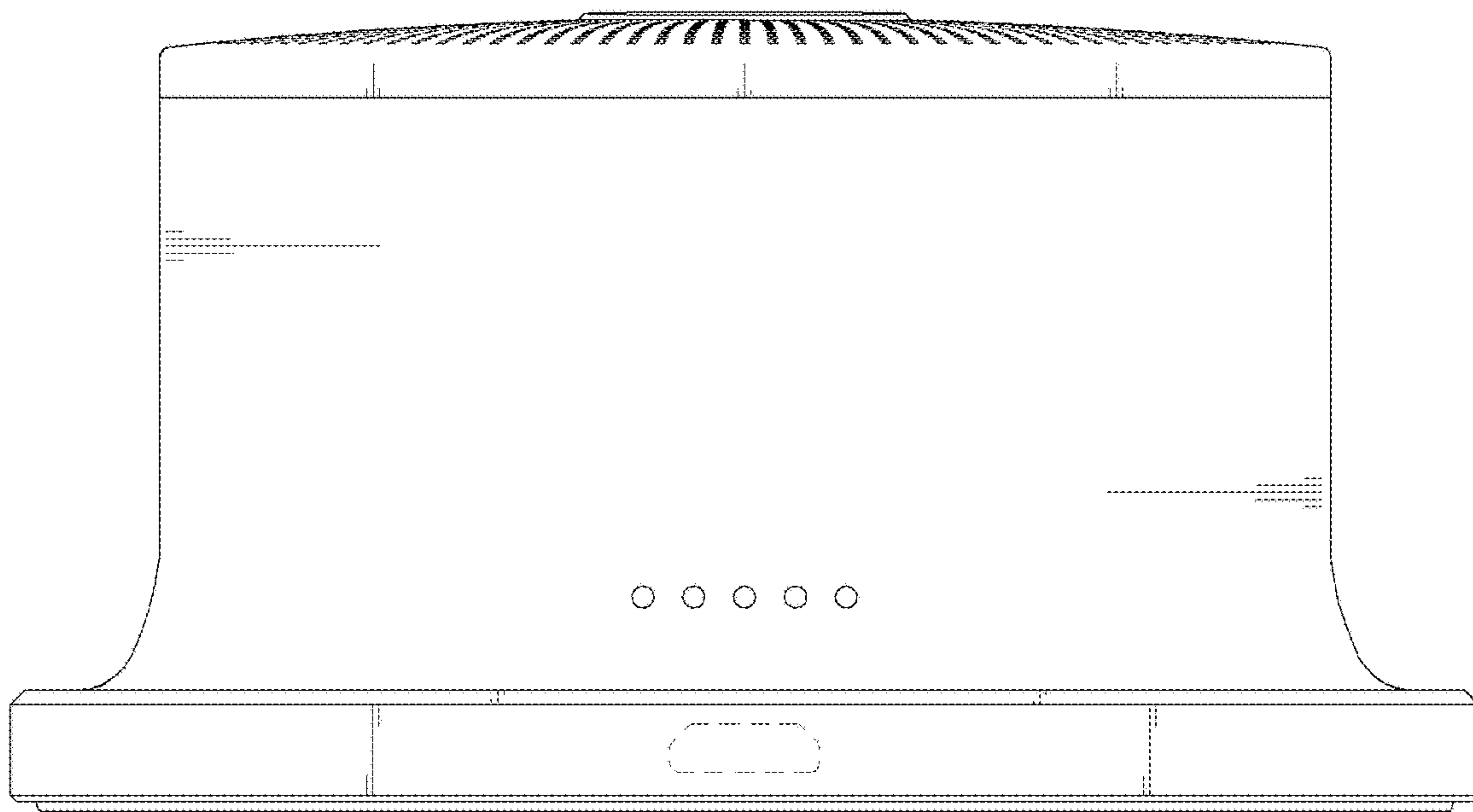


FIG. 3

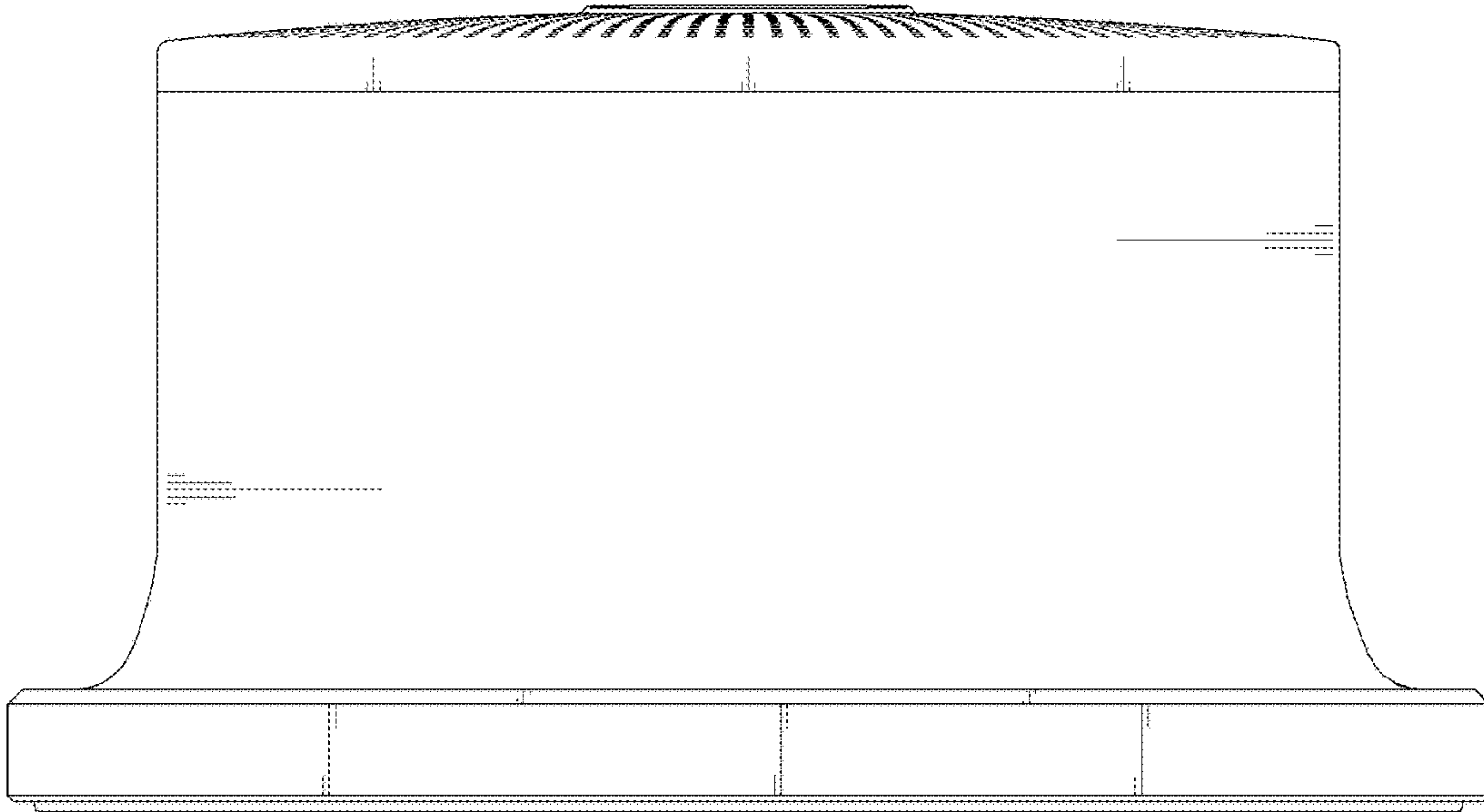


FIG. 4

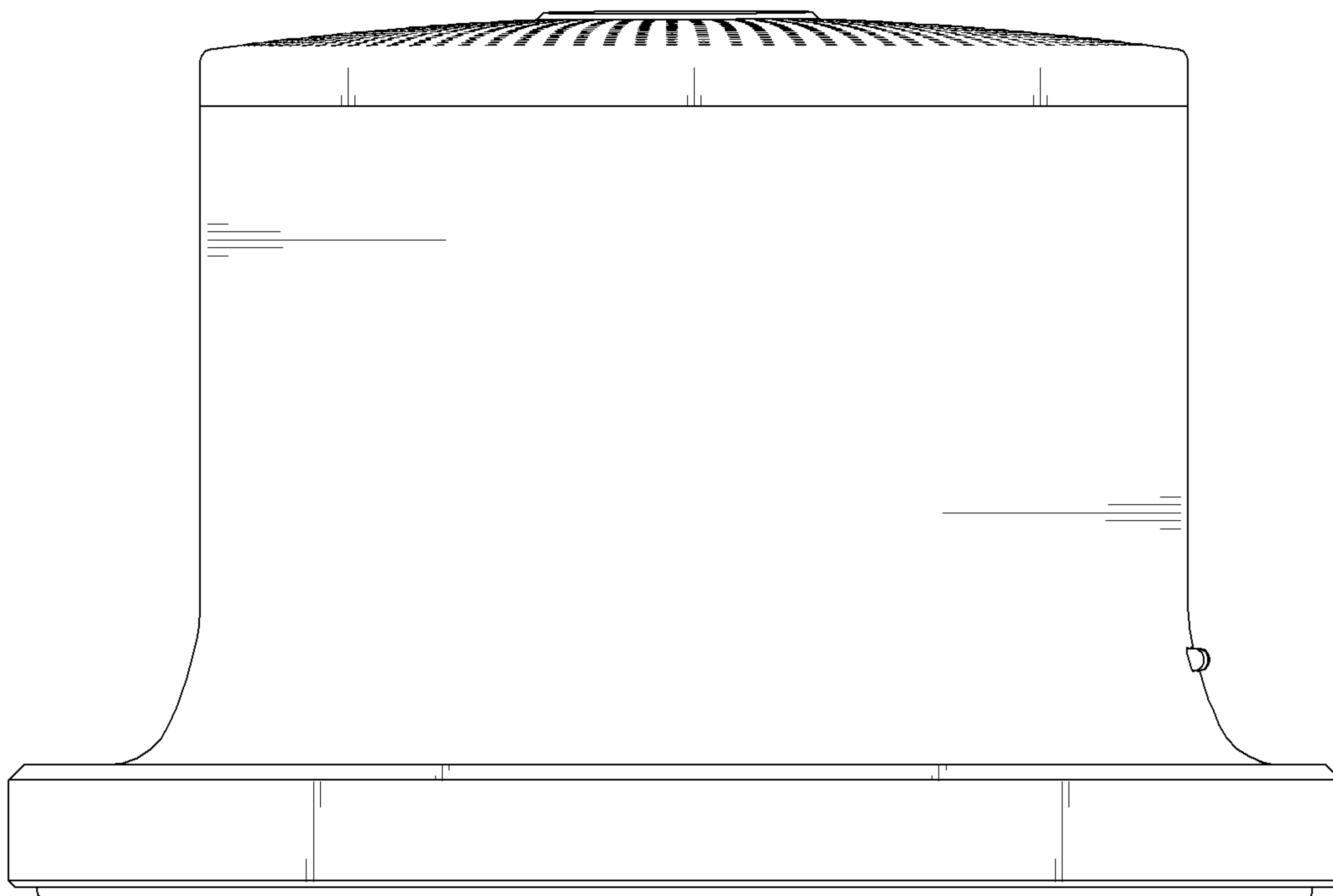


FIG. 5

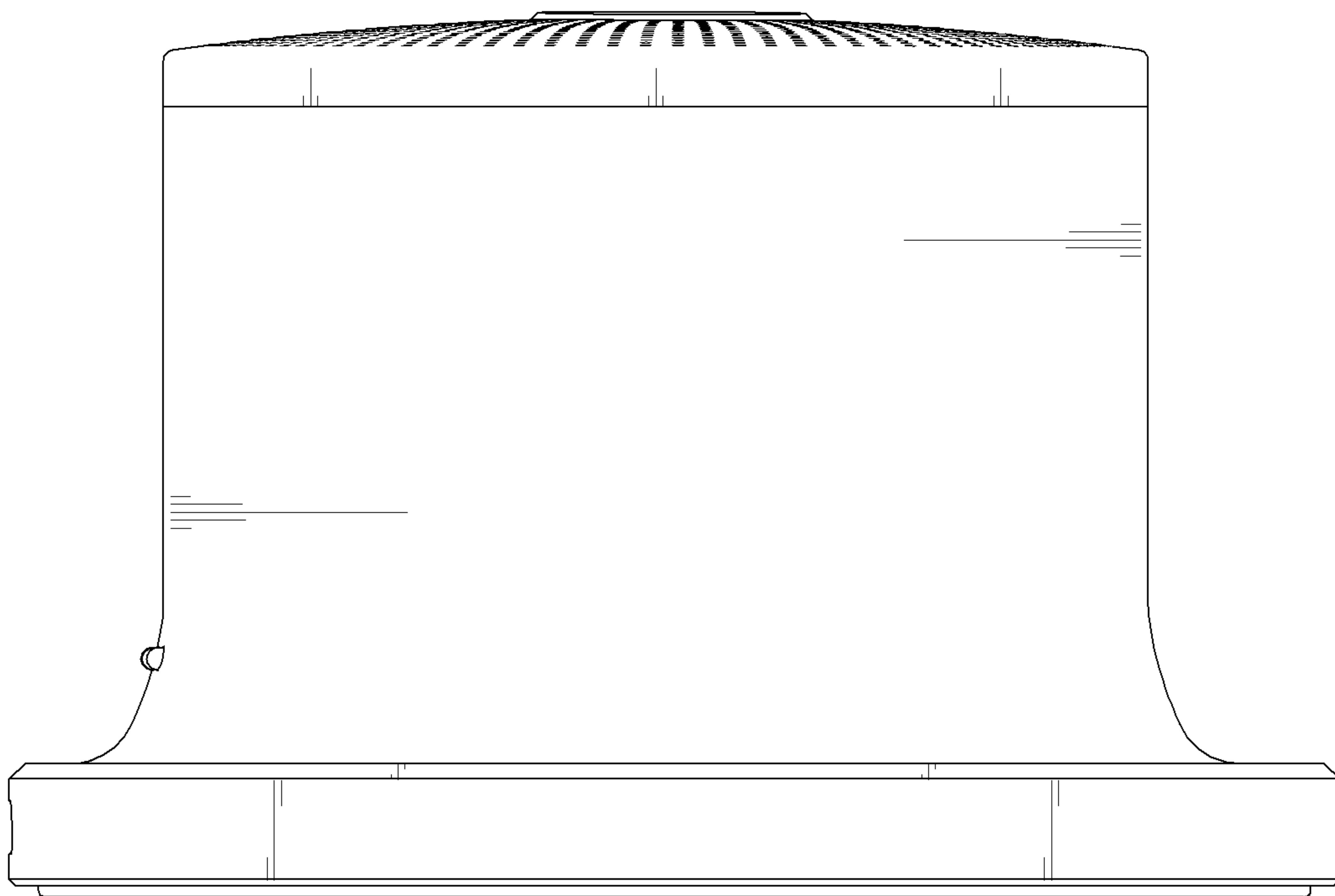


FIG. 6

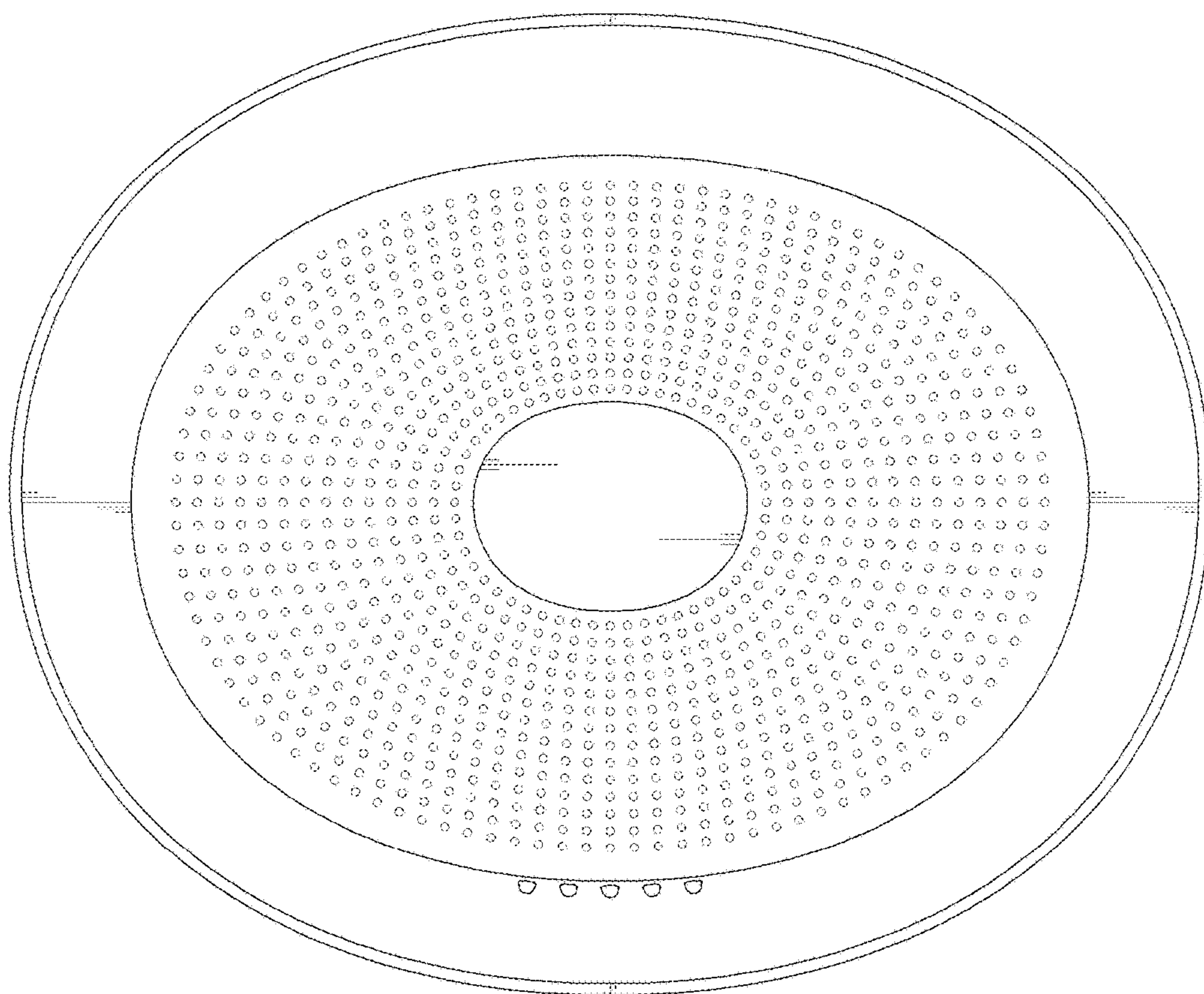


FIG. 7

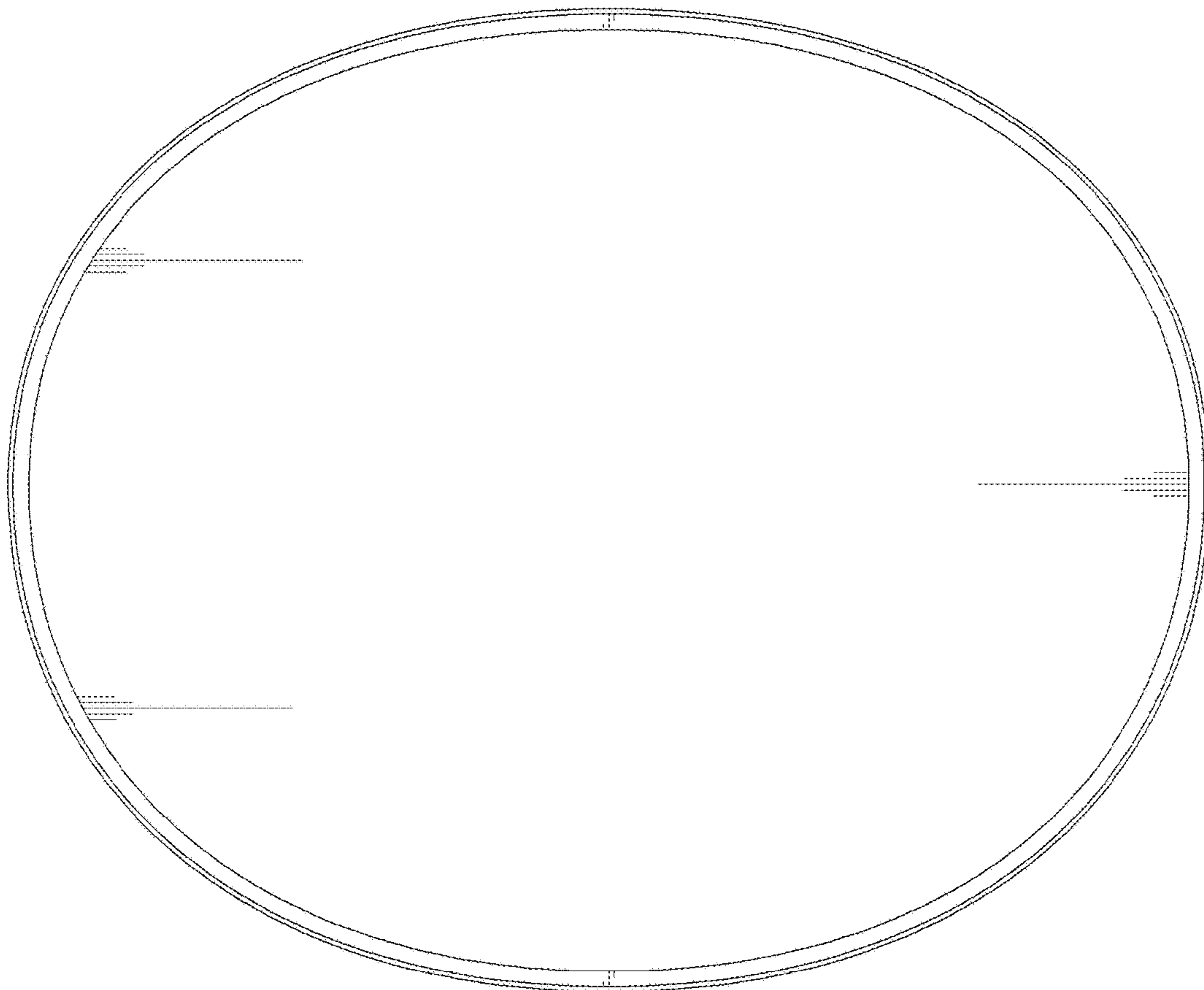


FIG. 8

