



US00D791773S

(12) **United States Design Patent**
Moore et al.

(10) **Patent No.:** **US D791,773 S**
(45) **Date of Patent:** **** Jul. 11, 2017**

- (54) **PROTECTIVE CASE FOR A TABLET COMPUTER**
- (71) Applicant: **Amazon Technologies, Inc.**, Seattle, WA (US)
- (72) Inventors: **Jesse Wheeler Moore**, Oakland, CA (US); **Monica Liane Mecchella**, San Francisco, CA (US); **Christopher Green**, San Francisco, CA (US)
- (73) Assignee: **Amazon Technologies, Inc.**, Seattle, WA (US)
- (**) Term: **15 Years**
- (21) Appl. No.: **29/538,142**
- (22) Filed: **Sep. 1, 2015**
- (51) **LOC (10) Cl.** **14-02**
- (52) **U.S. Cl.**
USPC **D14/440**
- (58) **Field of Classification Search**
USPC D14/440, 250, 447; D3/299; 206/45.23, 206/320, 45.2; 361/679.55; 294/25; 224/218; D9/414
CPC G06F 1/1628; G06F 1/1667; G06F 1/1626; A47B 23/044; H04B 1/3888; A45C 11/00
See application file for complete search history.

- (56) **References Cited**
U.S. PATENT DOCUMENTS
7,337,565 B2 * 3/2008 Tsutsumi G02F 1/134327 340/815.53
D625,698 S * 10/2010 Miyazaki D14/138 AB
D626,528 S * 11/2010 Park D14/138 AB
D630,179 S * 1/2011 Park D14/138 AA
D669,457 S * 10/2012 Li D14/248
D673,159 S * 12/2012 McCarthy D14/440
D693,823 S * 11/2013 Chen D14/440
D704,685 S * 5/2014 Yeh D14/248

D713,847 S *	9/2014	Su	D14/440
D720,736 S *	1/2015	Chen	D14/250
D720,737 S *	1/2015	Chen	D14/250
D729,811 S *	5/2015	Alis	D14/440
D766,885 S *	9/2016	Armstrong	D14/250
D772,234 S *	11/2016	Massucco	D14/440
2003/0003956 A1 *	1/2003	Maenpaa	H04M 1/0202 455/556.1
2010/0089779 A1 *	4/2010	Bowers	A45C 7/0095 206/320

(Continued)

Primary Examiner — Cynthia Underwood
(74) *Attorney, Agent, or Firm* — Lee & Hayes, PLLC

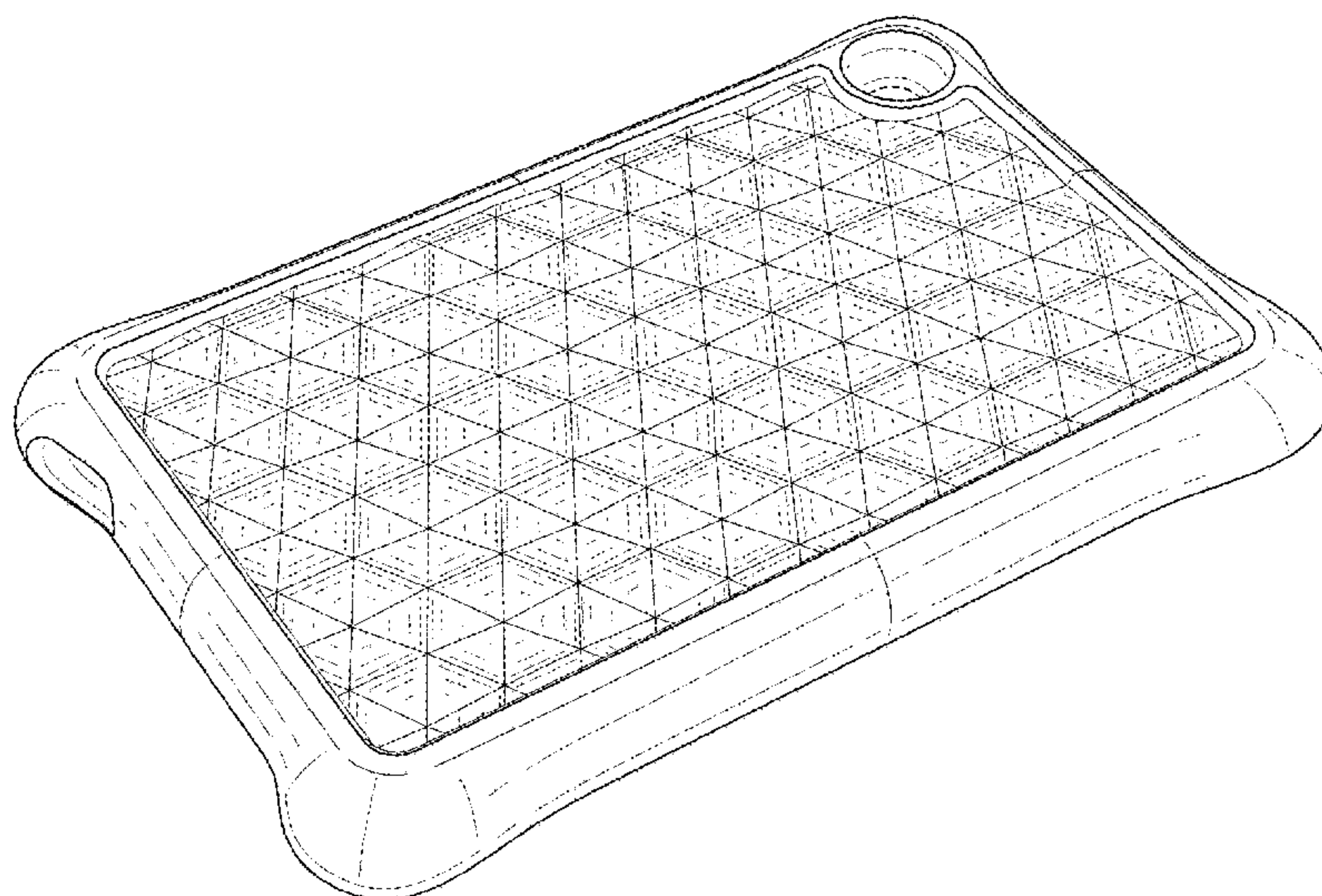
(57) **CLAIM**

The ornamental design for a protective case for a tablet computer, as shown and described.

DESCRIPTION

FIG. 1 is a top view of a protective case for a tablet computer.
 FIG. 2 is a bottom view of the protective case for a tablet computer.
 FIG. 3 is a left side view of the protective case for a tablet computer.
 FIG. 4 is a right side view of the protective case for a tablet computer.
 FIG. 5 is a cross-sectional view of the protective case for a tablet computer taken along the line 5-5 shown in FIG. 1.
 FIG. 6 is a back view of the protective case for a tablet computer.
 FIG. 7 is a front view of the protective case for a tablet computer.
 FIG. 8 is a bottom, perspective view of the protective case for a tablet computer; and,
 FIG. 9 is a top, perspective view of the protective case for a tablet computer.
 The broken lines represent portions of the structure that form no part of the claimed design.

1 Claim, 6 Drawing Sheets



(56)

References Cited

U.S. PATENT DOCUMENTS

2012/0261289 A1* 10/2012 Wyner A45C 11/00
206/320

* cited by examiner

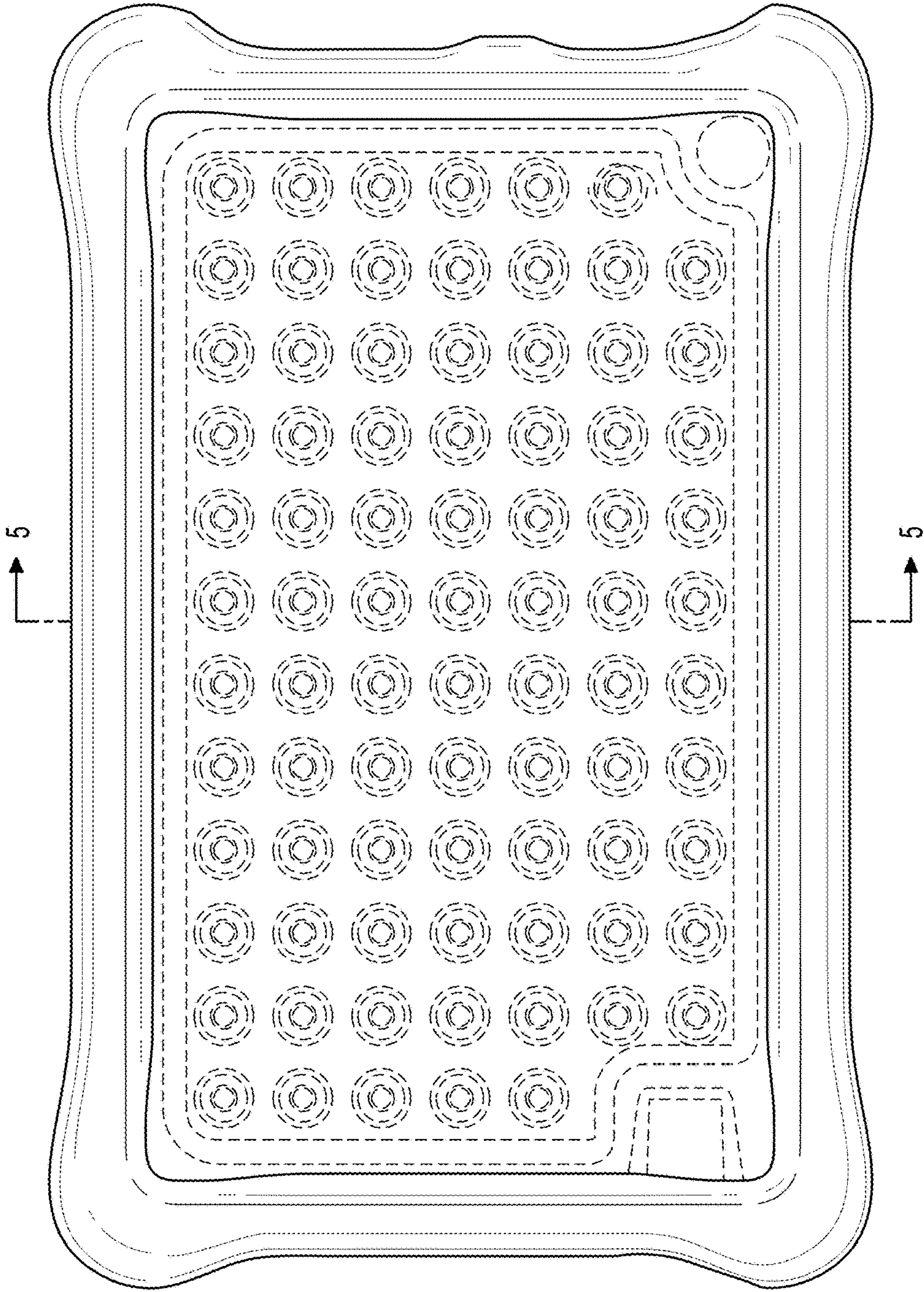


FIG. 1

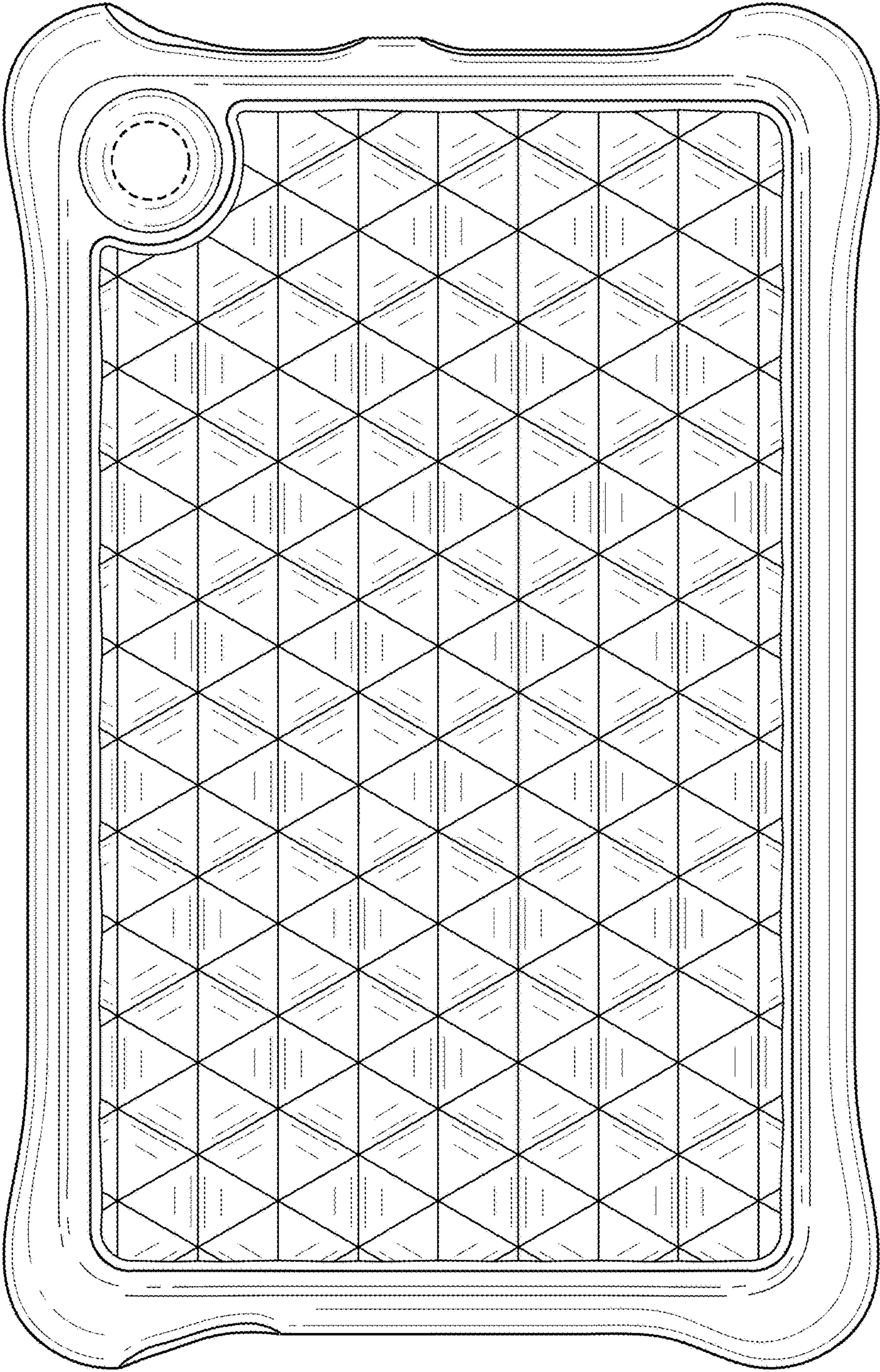


FIG. 2

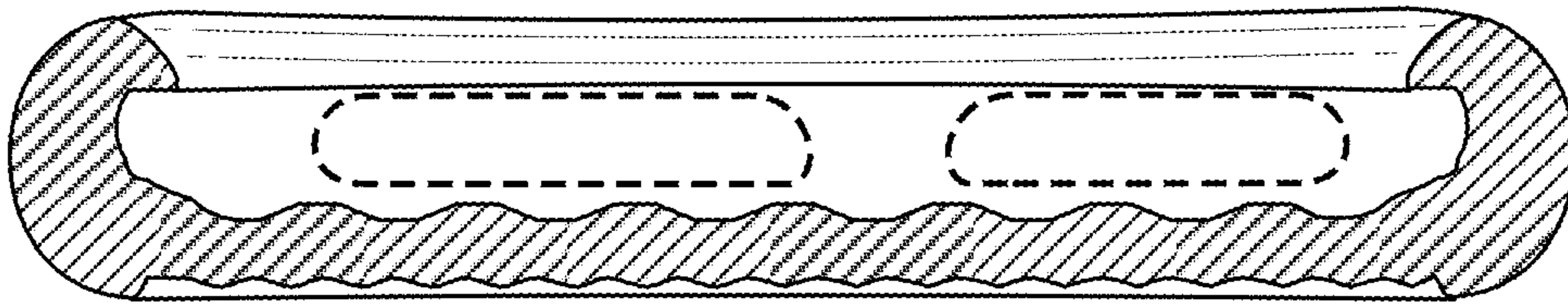


FIG. 3

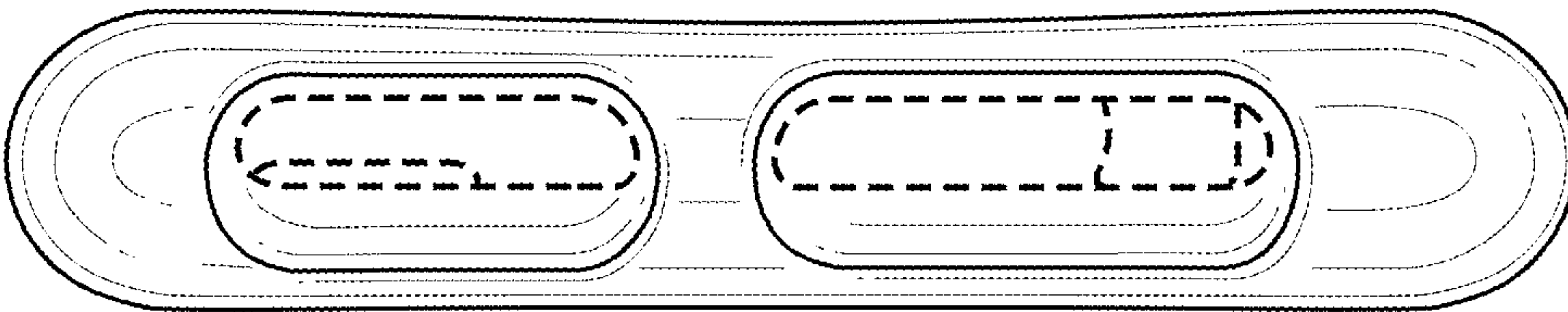


FIG. 4

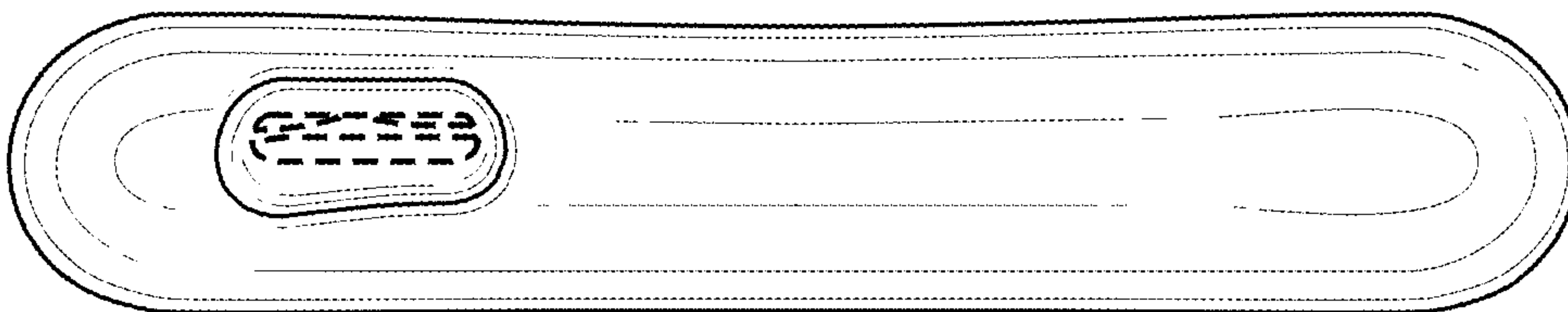


FIG. 5

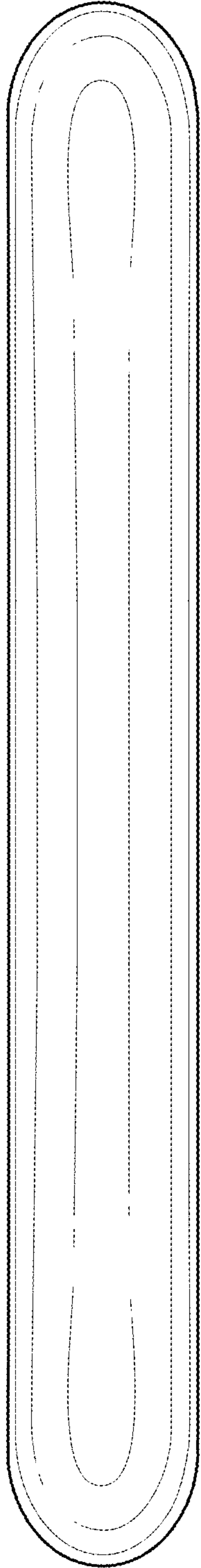


FIG. 6

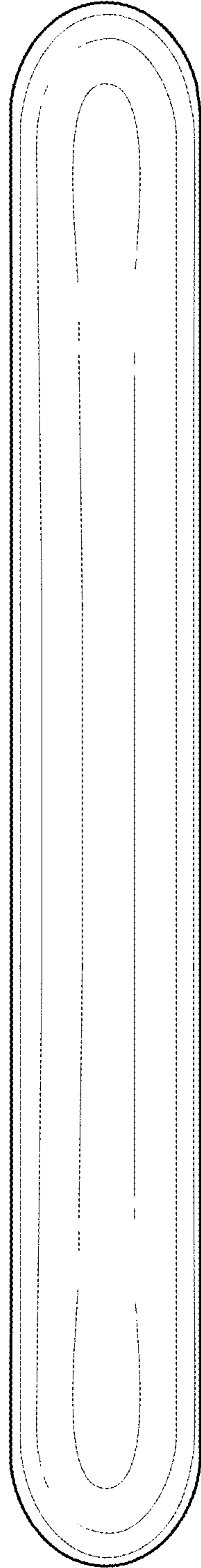


FIG. 7

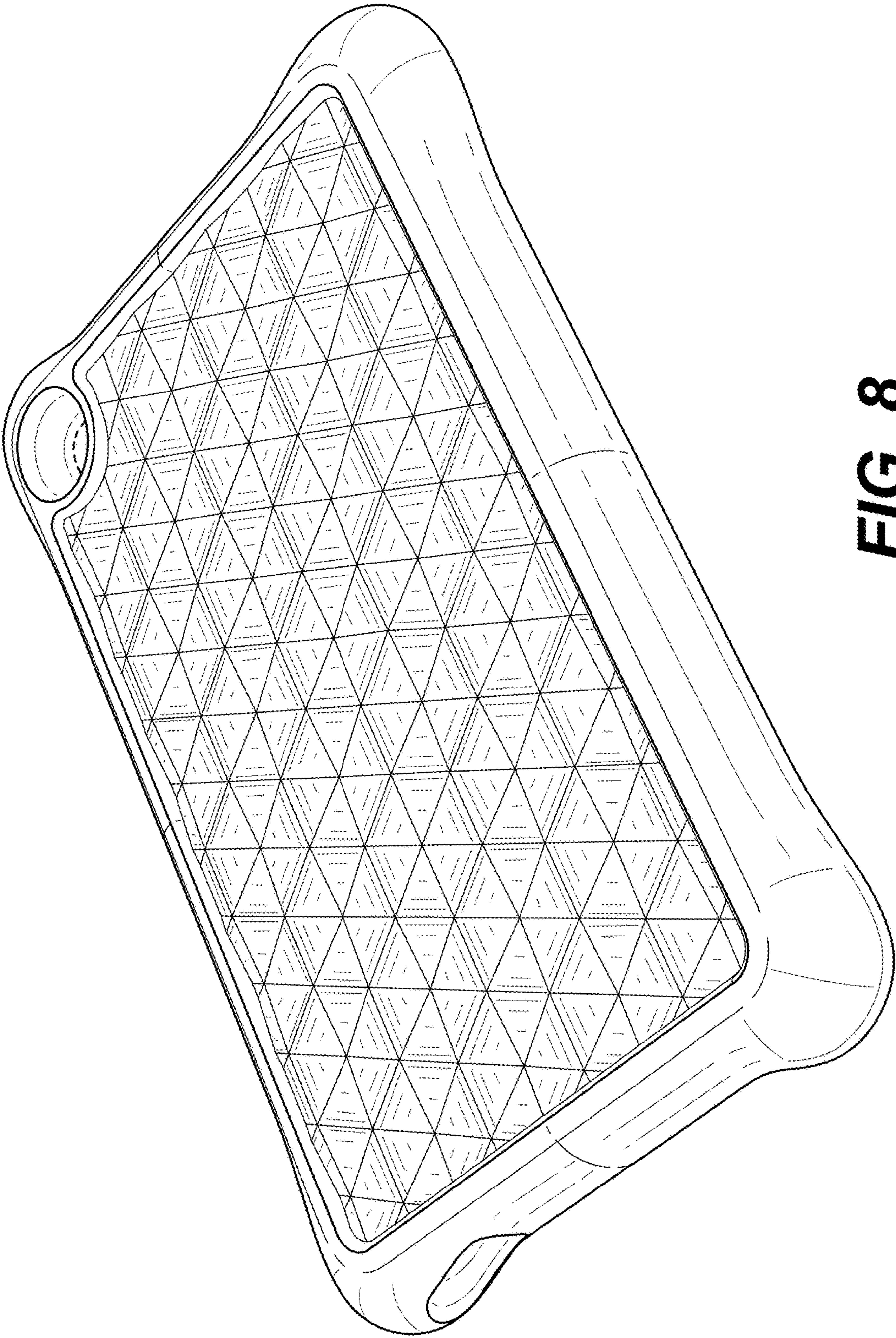


FIG. 8

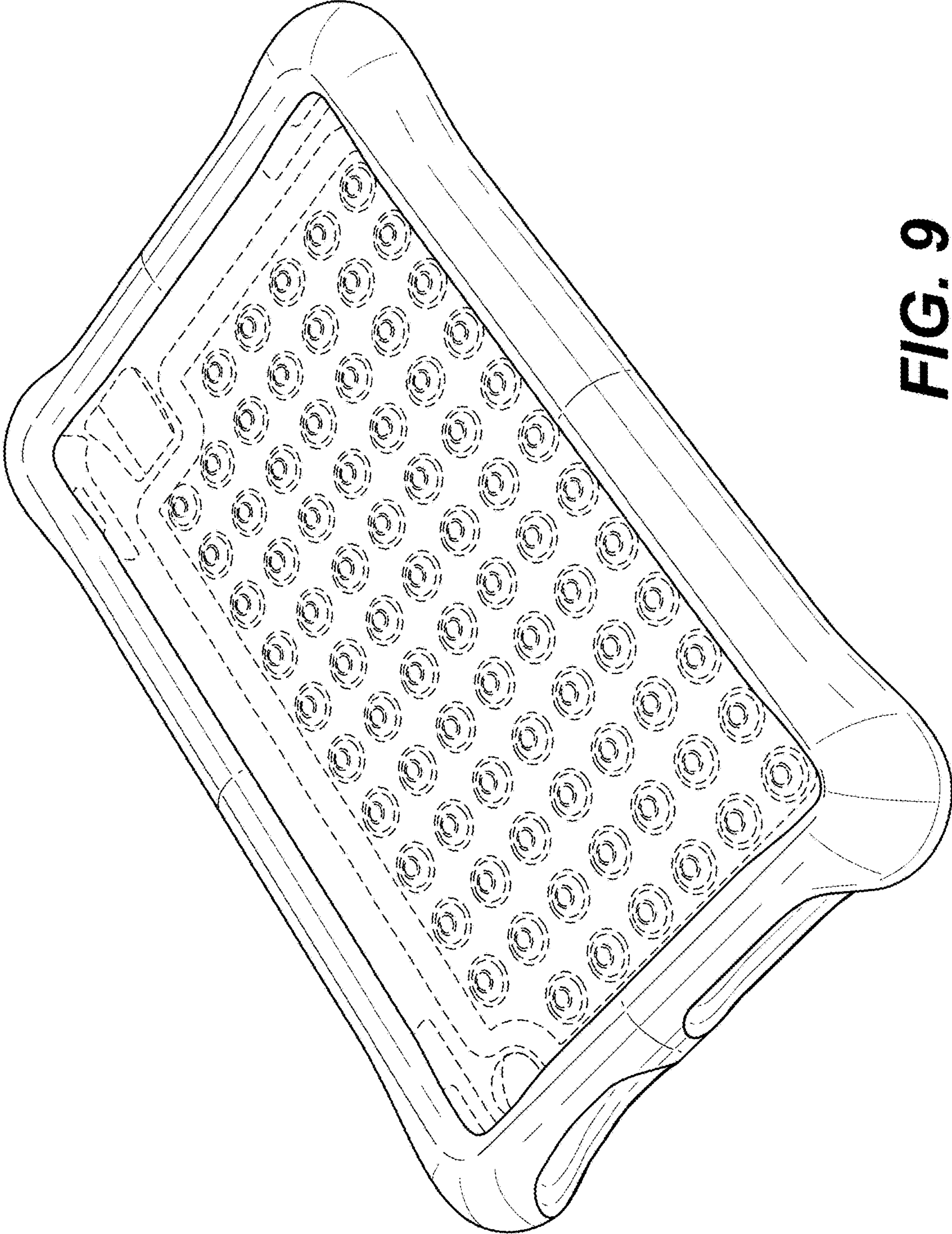


FIG. 9