



US00D791770S

(12) **United States Design Patent**  
**Akana et al.**

(10) **Patent No.:** **US D791,770 S**  
(45) **Date of Patent:** **\*\* Jul. 11, 2017**

(54) **STYLUS TIP**

(71) Applicant: **Apple Inc.**, Cupertino, CA (US)

(72) Inventors: **Jody Akana**, San Francisco, CA (US); **Molly Anderson**, San Francisco, CA (US); **Bartley K. Andre**, Palo Alto, CA (US); **Shota Aoyagi**, San Francisco, CA (US); **Kevin Armendariz**, Mountain View, CA (US); **Anthony Michael Ashcroft**, San Francisco, CA (US); **Jeremy Bataillou**, San Francisco, CA (US); **Priyanka Bhandari**, San Francisco, CA (US); **Ryan Brooks**, Menlo Park, CA (US); **Daniel J. Coster**, San Francisco, CA (US); **Daniele De Iuliis**, San Francisco, CA (US); **M. Evans Hankey**, San Francisco, CA (US); **Julian Hoenig**, San Francisco, CA (US); **Richard P. Howarth**, San Francisco, CA (US); **Jonathan P. Ive**, San Francisco, CA (US); **Duncan Robert Kerr**, San Francisco, CA (US); **Matthew Dean Rorhbach**, San Francisco, CA (US); **Peter Russell-Clarke**, San Francisco, CA (US); **Benjamin Andrew Shaffer**, San Jose, CA (US); **Mikael Silvanto**, San Francisco, CA (US); **Christopher J. Stringer**, Woodside, CA (US); **Liquan Tan**, Sunnyvale, CA (US); **Eugene Antony Whang**, San Francisco, CA (US); **Aidan N. Zimmerman**, Sunnyvale, CA (US); **Rico Zörkendörfer**, San Francisco, CA (US)

(73) Assignee: **Apple Inc.**, Cupertino, CA (US)

(\*\*) Term: **15 Years**

(21) Appl. No.: **29/578,117**

(22) Filed: **Sep. 19, 2016**

**Related U.S. Application Data**

(63) Continuation of application No. 29/538,860, filed on Sep. 9, 2015, now Pat. No. Des. 772,876.

(51) **LOC (10) Cl.** ..... **07-05**

(52) **U.S. Cl.**  
USPC ..... **D14/411**

(58) **Field of Classification Search**  
USPC ..... D14/372, 496, 432, 371, 125, 126, 129, D14/299, 411; D16/300-342; 351/158,  
(Continued)

(56) **References Cited**

U.S. PATENT DOCUMENTS

D352,703 S 11/1994 Mitcham et al.  
5,747,748 A 5/1998 Zigler  
(Continued)

OTHER PUBLICATIONS

Adonit Styluses, <<http://www.adonit.net/jot/>>, available at least as early as Sep. 4, 2015.

(Continued)

*Primary Examiner* — Austin Murphy

(74) *Attorney, Agent, or Firm* — Saidman DesignLaw Group, LLC

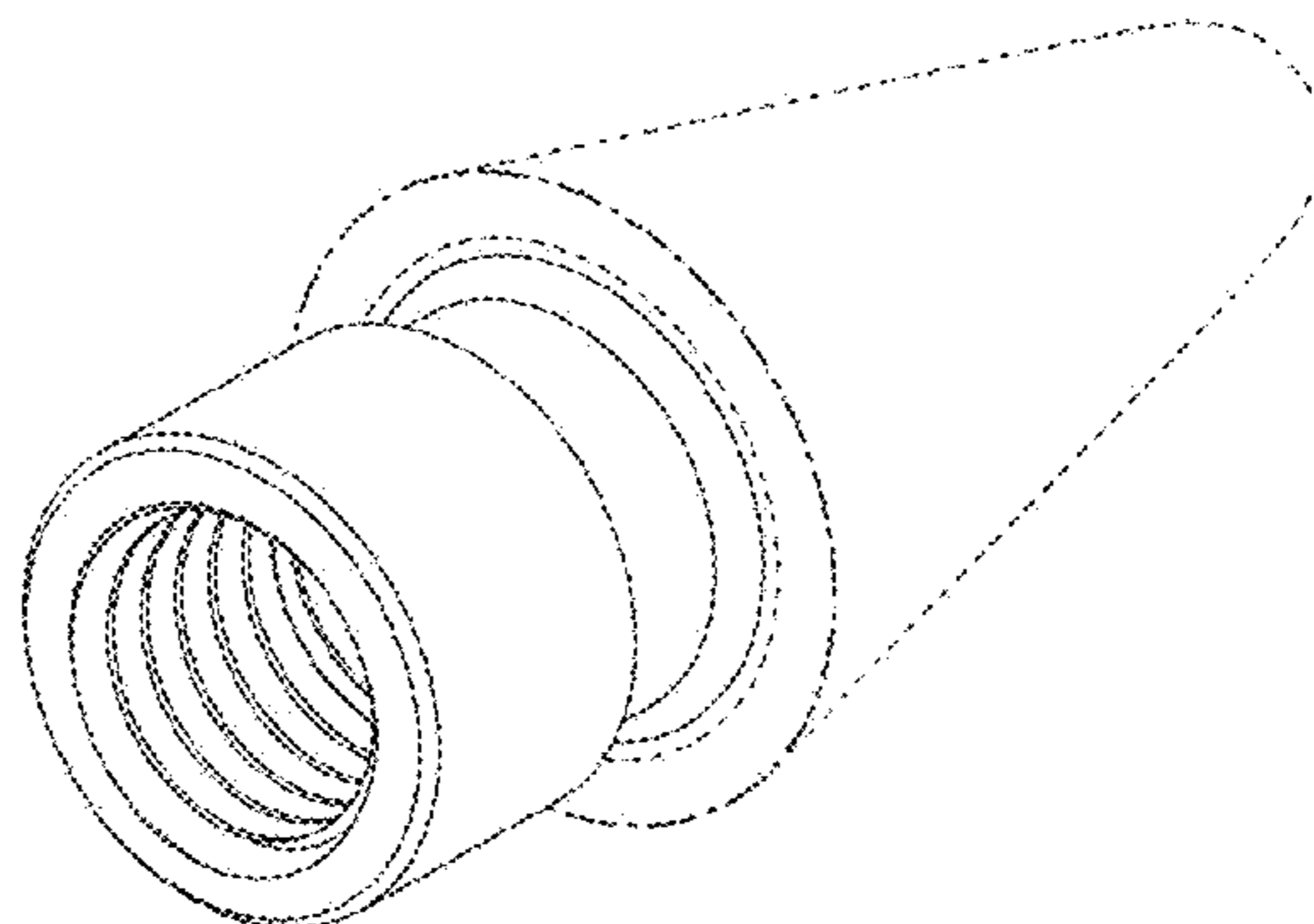
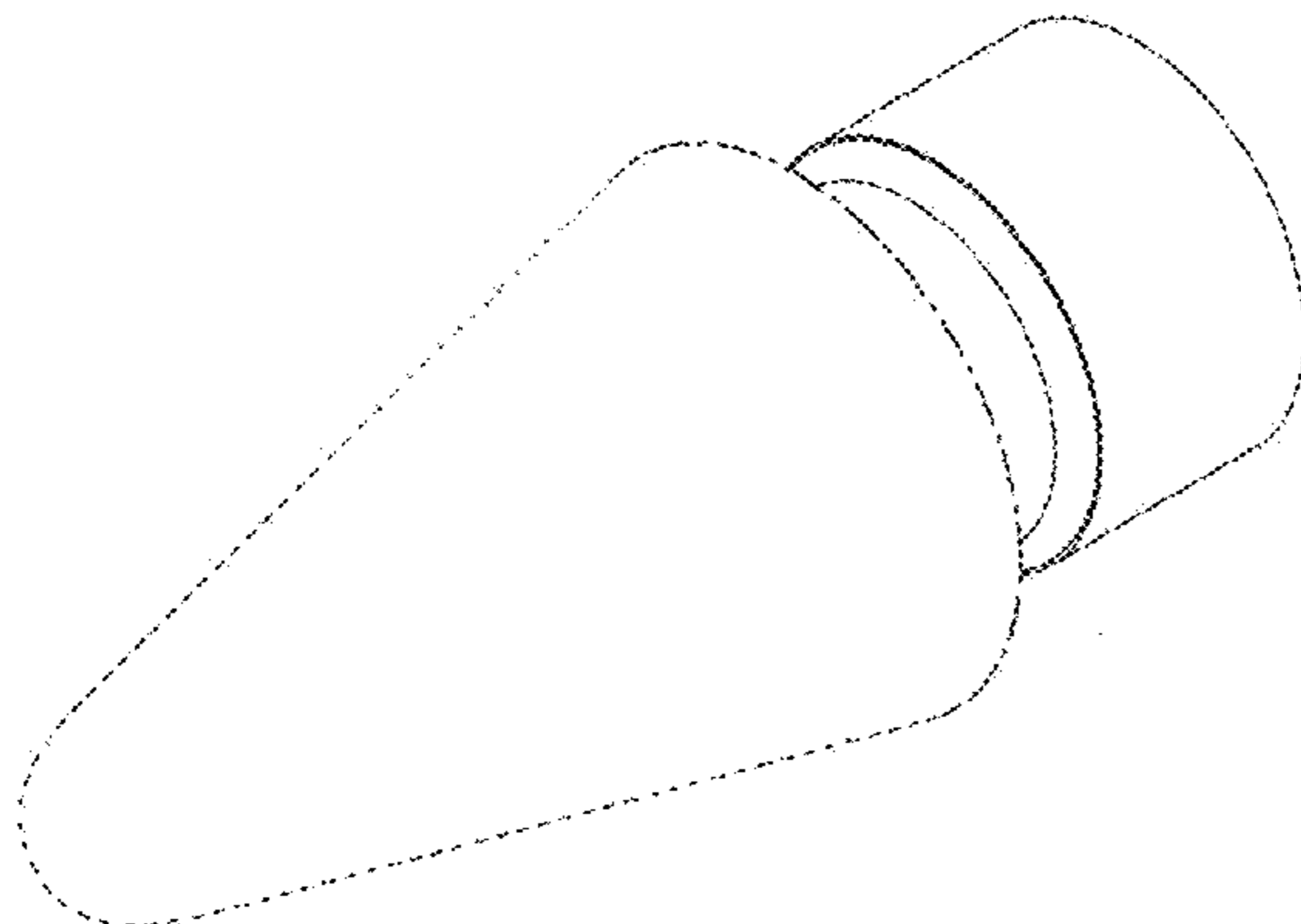
(57) **CLAIM**

The ornamental design for a stylus tip, as shown and described.

**DESCRIPTION**

FIG. 1 is a front perspective view of a second embodiment thereof;  
FIG. 2 is a rear perspective view thereof;  
FIG. 3 is a front view thereof;  
FIG. 4 is a rear view thereof;  
FIG. 5 is a right side view thereof;  
FIG. 6 left side view thereof;  
FIG. 7 is a top view thereof;  
FIG. 8 is a bottom view thereof; and,  
FIG. 9 is a cross sectional view taken along line 9-9 of FIG. 5.

(Continued)



The dashed broken lines represent structure or features which form no part of the claimed design.

The dot-dash broken lines represent boundaries of the claimed design; the dot -dash lines themselves form no part of the claimed design.

The diagonal shaded portion of the cross sectional view forms no part of the claimed design.

**1 Claim, 5 Drawing Sheets**

**(58) Field of Classification Search**

USPC ..... 351/153, 144; 345/7-9, 905; 455/344;  
348/115, 53, 121, 739  
CPC ..... G02B 27/017; G06F 3/016; G06F 3/033;  
G06F 3/0317; G06F 3/03545; G06F  
3/041; G06K 9/222

See application file for complete search history.

**(56) References Cited**

**U.S. PATENT DOCUMENTS**

D487,746 S 3/2004 Fitch  
D544,484 S 6/2007 Hussaini  
D614,623 S 4/2010 Crisp et al.

D617,328 S 6/2010 Nakata  
7,928,967 B2 \* 4/2011 Underwood ..... B43K 7/005  
345/179  
D669,898 S 10/2012 Nakata  
D670,700 S 11/2012 Halsinger et al.  
D680,114 S 4/2013 Hashi  
D681,037 S 4/2013 Hashi  
8,414,210 B2 \* 4/2013 Silverbrook ..... G06F 3/03545  
347/179  
D682,833 S 5/2013 Paschke et al.  
D699,723 S 2/2014 Nishizawa  
D717,302 S 11/2014 DeSerio  
D720,349 S 12/2014 Comerford et al.  
D724,086 S 3/2015 Schoenert et al.  
D724,087 S 3/2015 Sakatsume et al.  
D744,486 S 12/2015 Arai  
D750,630 S 3/2016 Nishizawa  
9,298,285 B2 3/2016 Mohindra  
D754,661 S 4/2016 Nishizawa  
D772,876 S \* 11/2016 Akana ..... D14/411

**OTHER PUBLICATIONS**

U.S. Appl. No. 29/538,660 to Akana et al., titled "Stylus", filed Sep. 4, 2015 (unpublished).  
U.S. Appl. No. 29/538,663 to Akana et al., titled "Stylus", filed Sep. 4, 2015 (unpublished).

\* cited by examiner

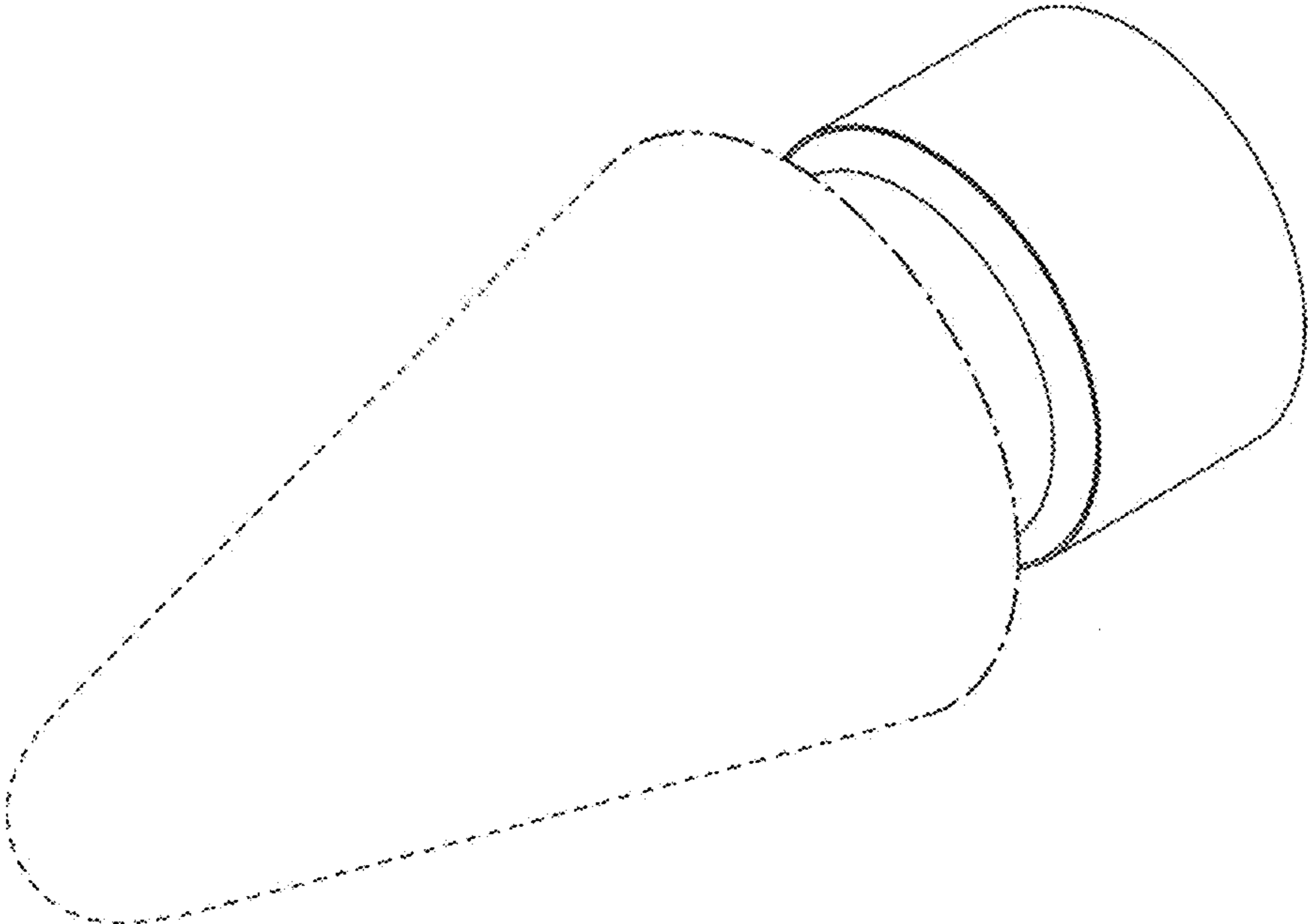


FIG. 1

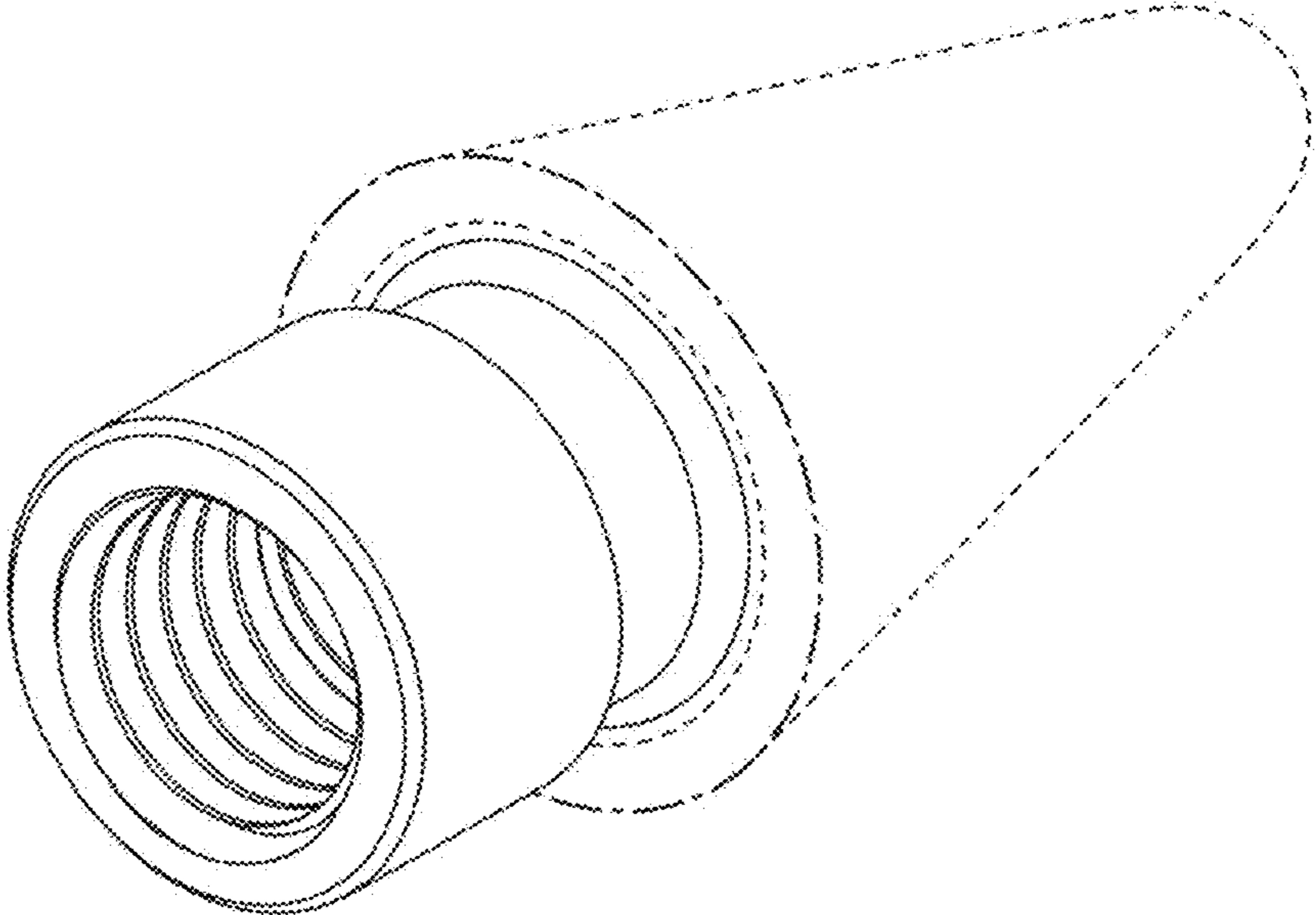


FIG. 2

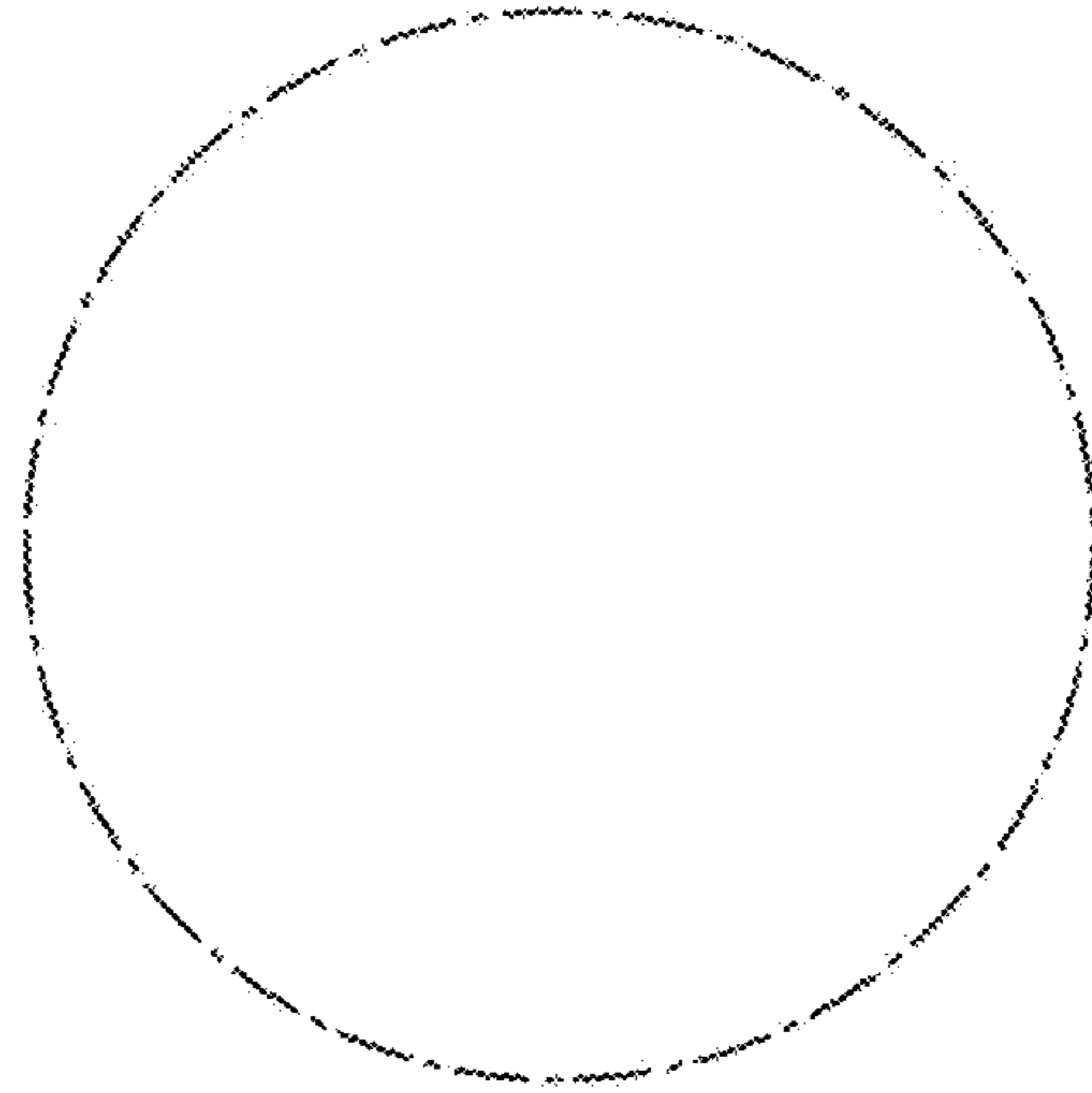


FIG. 3

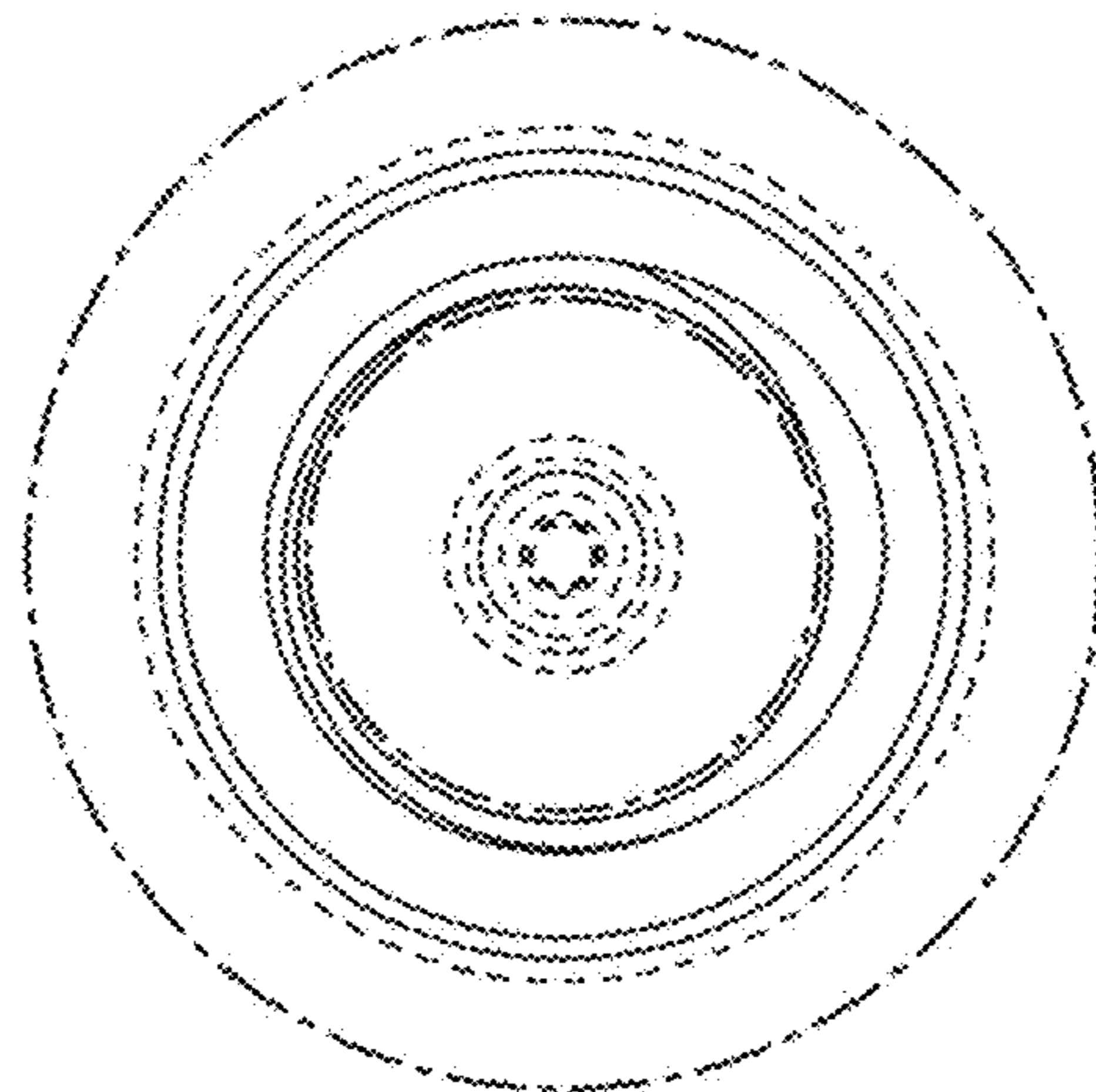


FIG. 4

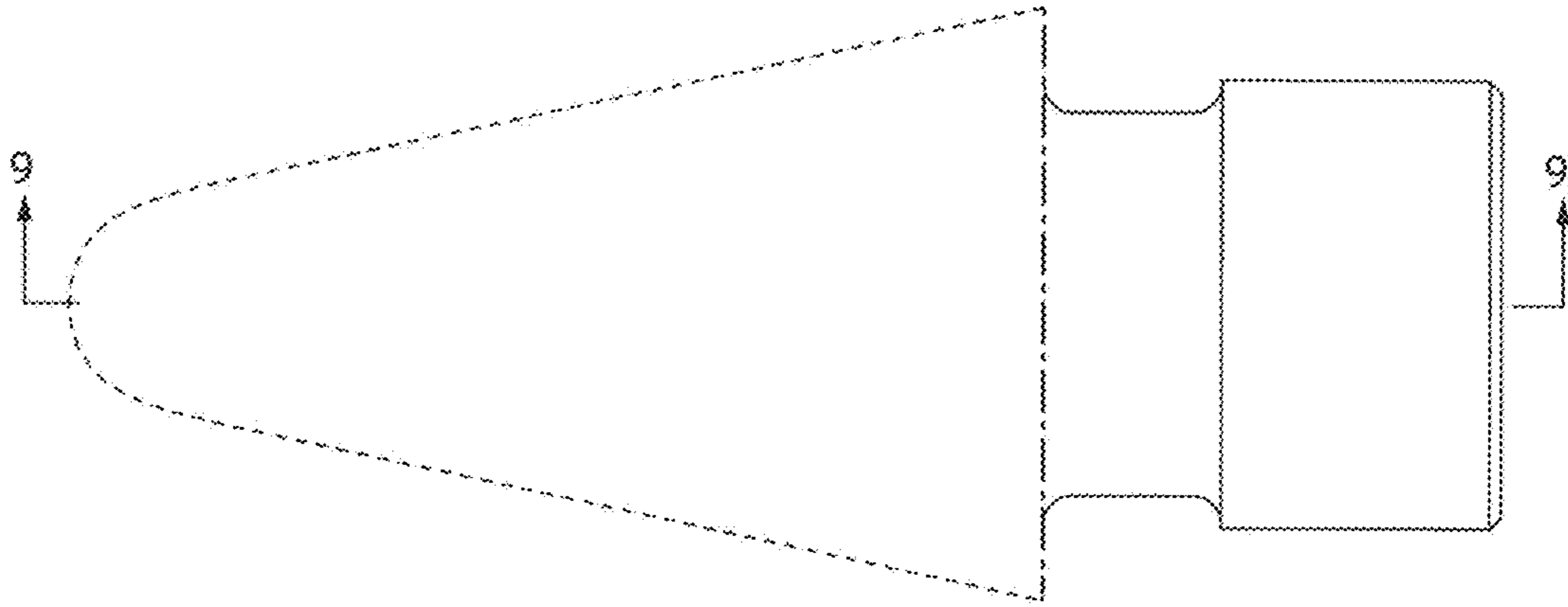


FIG. 5

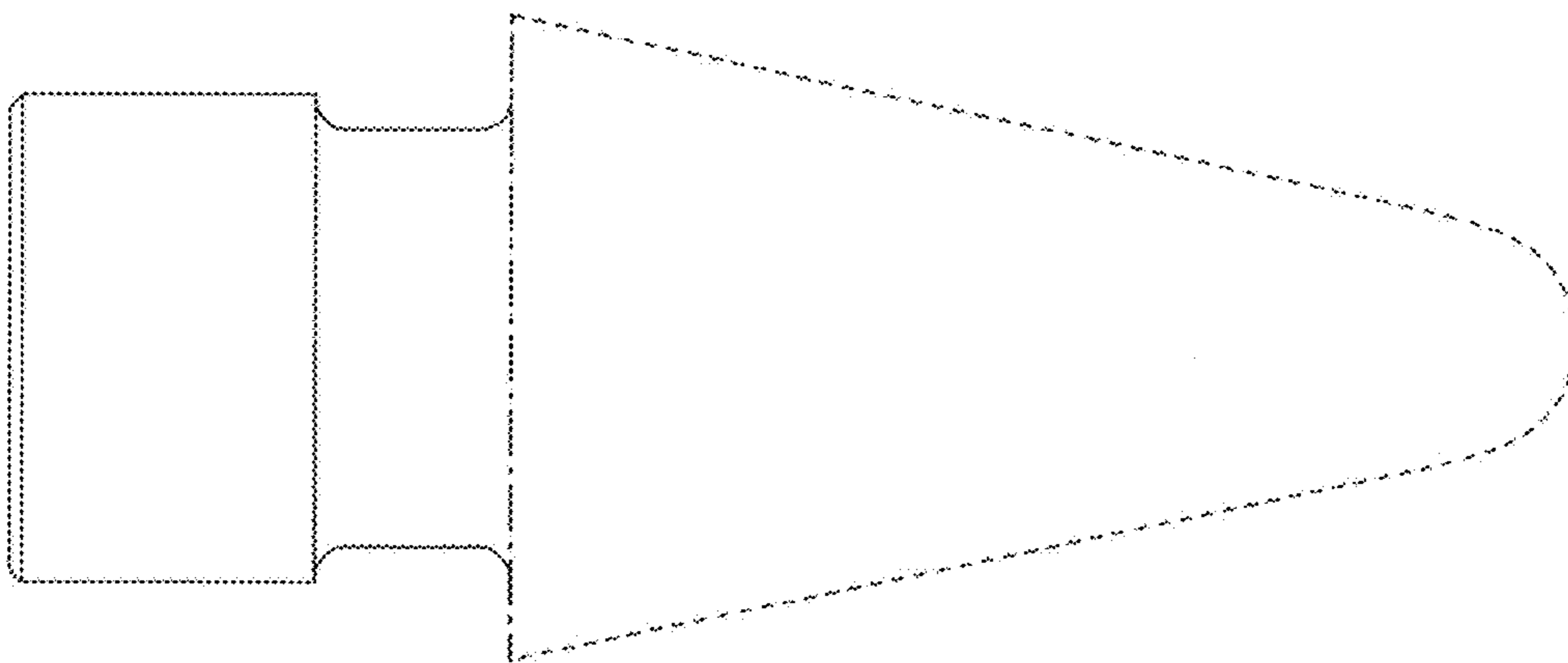


FIG. 6



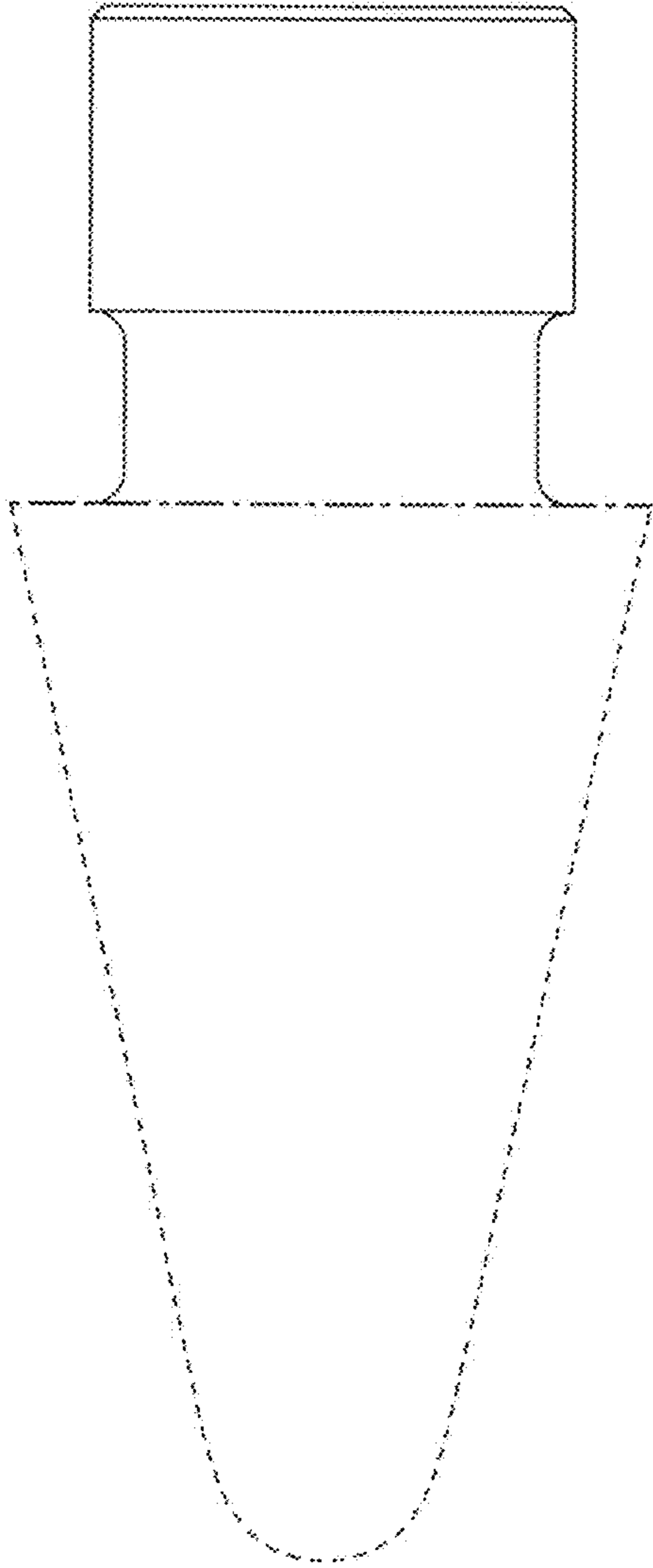


FIG. 7

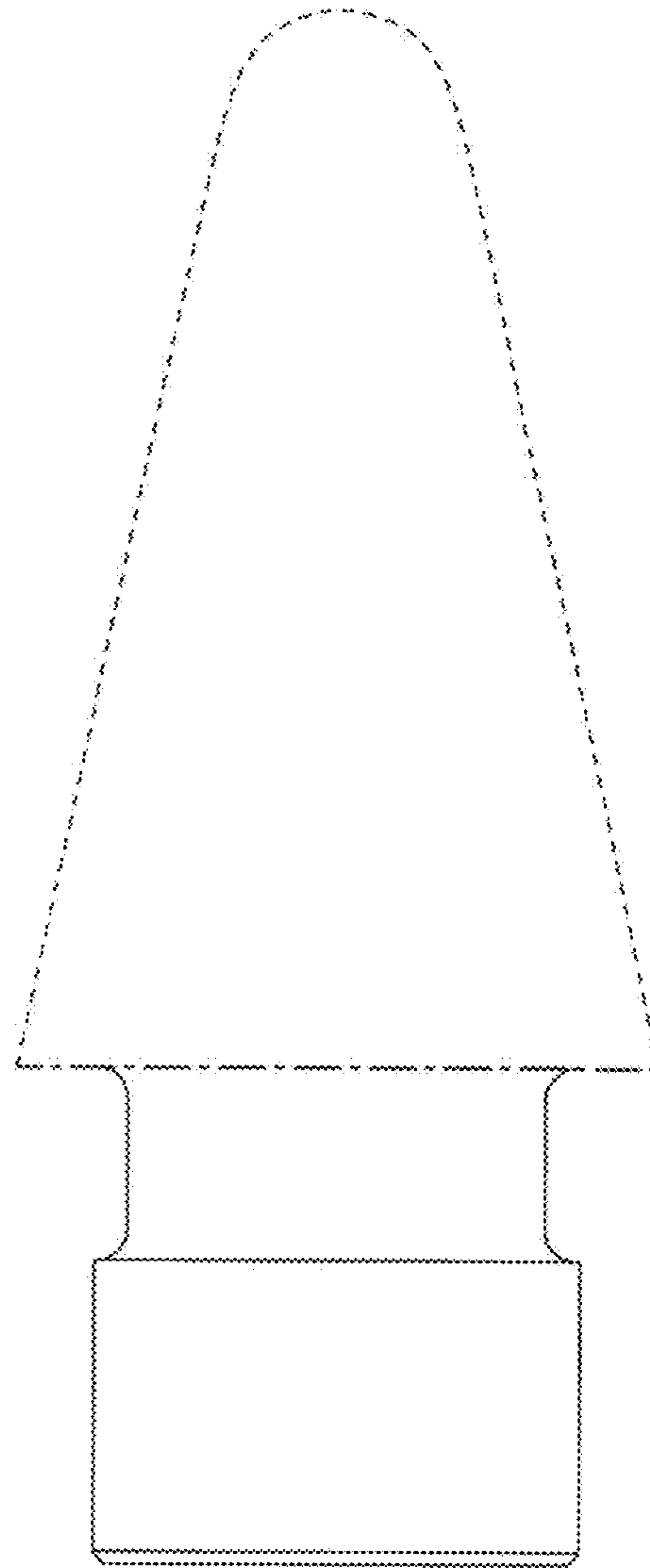


FIG. 8

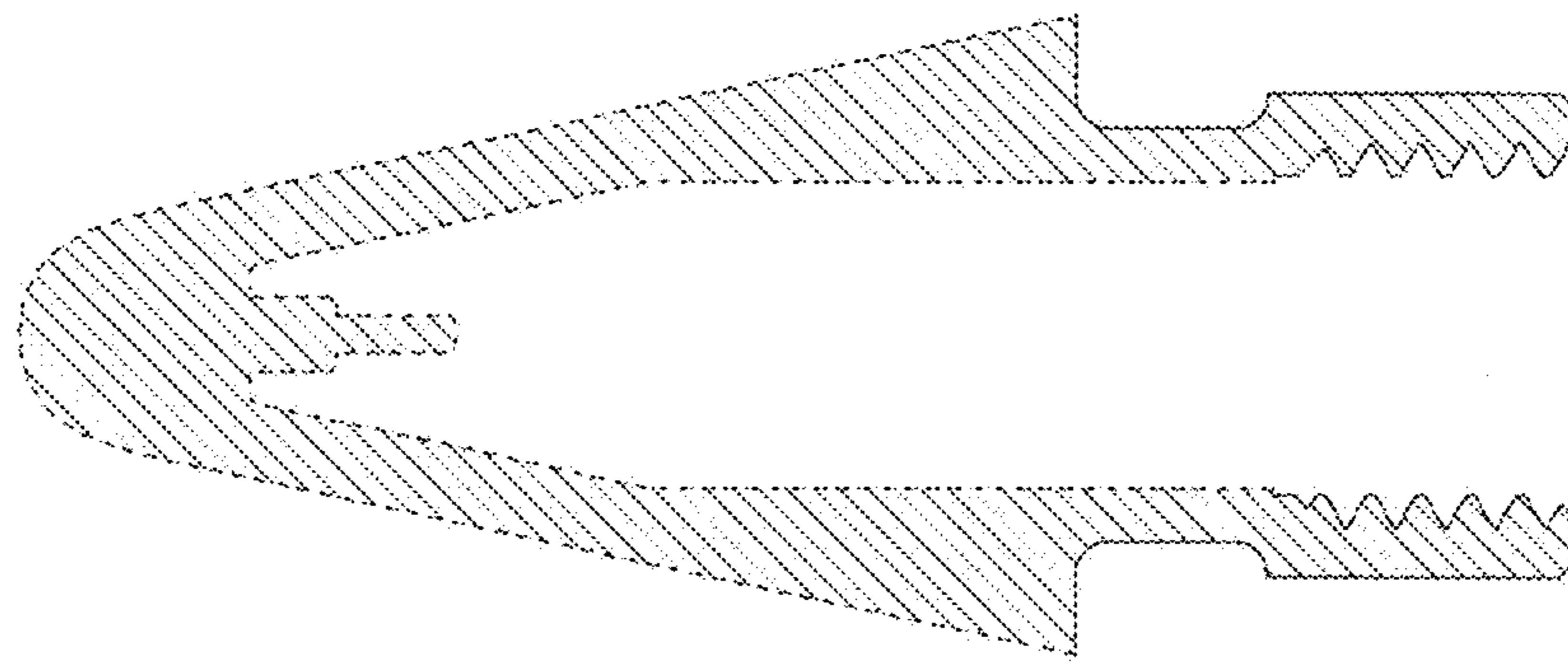


FIG. 9