



US00D791769S

(12) **United States Design Patent** (10) **Patent No.:** **US D791,769 S**
Koury et al. (45) **Date of Patent:** **** Jul. 11, 2017**

(54) **DISPLAY DEVICE**
(71) Applicant: **Vita-Mix Corporation**, Olmsted Township, OH (US)
(72) Inventors: **Steffen F. Koury**, Everett, MA (US); **Paul K. Metaxatos**, Swampscott, MA (US)
(73) Assignee: **Vita-Mix Management Corporation**, Olmsted Township, OH (US)
(**) Term: **15 Years**
(21) Appl. No.: **29/543,394**
(22) Filed: **Oct. 23, 2015**
(51) **LOC (10) Cl.** **14-02**
(52) **U.S. Cl.**
USPC **D14/371**
(58) **Field of Classification Search**
USPC D14/371-375, 125-129, 356, 451; 341/12; 345/104, 156, 168, 173; 348/180, 184, 325, 739; 349/1, 2, 11, 62; 361/679.05-679.07, 679.21; D6/300, D6/308; D20/10; D7/378, 412, 413, D7/414; D18/4.1-4.6, 12.3
CPC G06F 1/16; G06F 1/1601; G06F 3/037; G06F 1/162; G06F 1/1613; F16M 11/02; F16M 11/10; F16M 11/00; G02F 1/133308; A47J 43/0711; A47J 43/0722; B01F 7/00475; B23D 61/025; G06Q 20/10; G06Q 20/18; G06Q 20/20; G06Q 20/123; G07G 1/0027; G07G 1/12; G07G 1/0018; G06C 7/10
See application file for complete search history.

D509,543 S * 9/2005 Hillstrom D20/41
D607,457 S * 1/2010 Hui D14/300
D657,357 S * 4/2012 Daniel D14/315
D658,005 S * 4/2012 Haggerty D7/412
D668,912 S * 10/2012 Haggerty D7/412
D693,803 S * 11/2013 Colley D14/307
D722,964 S * 2/2015 Regole D13/103
D739,464 S * 9/2015 Liu D14/371
2005/0121017 A1* 6/2005 Koike B23D 61/025
125/15

* cited by examiner
Primary Examiner — Freda S Nunn
(74) *Attorney, Agent, or Firm* — McDonald Hopkins LLC

(57) **CLAIM**

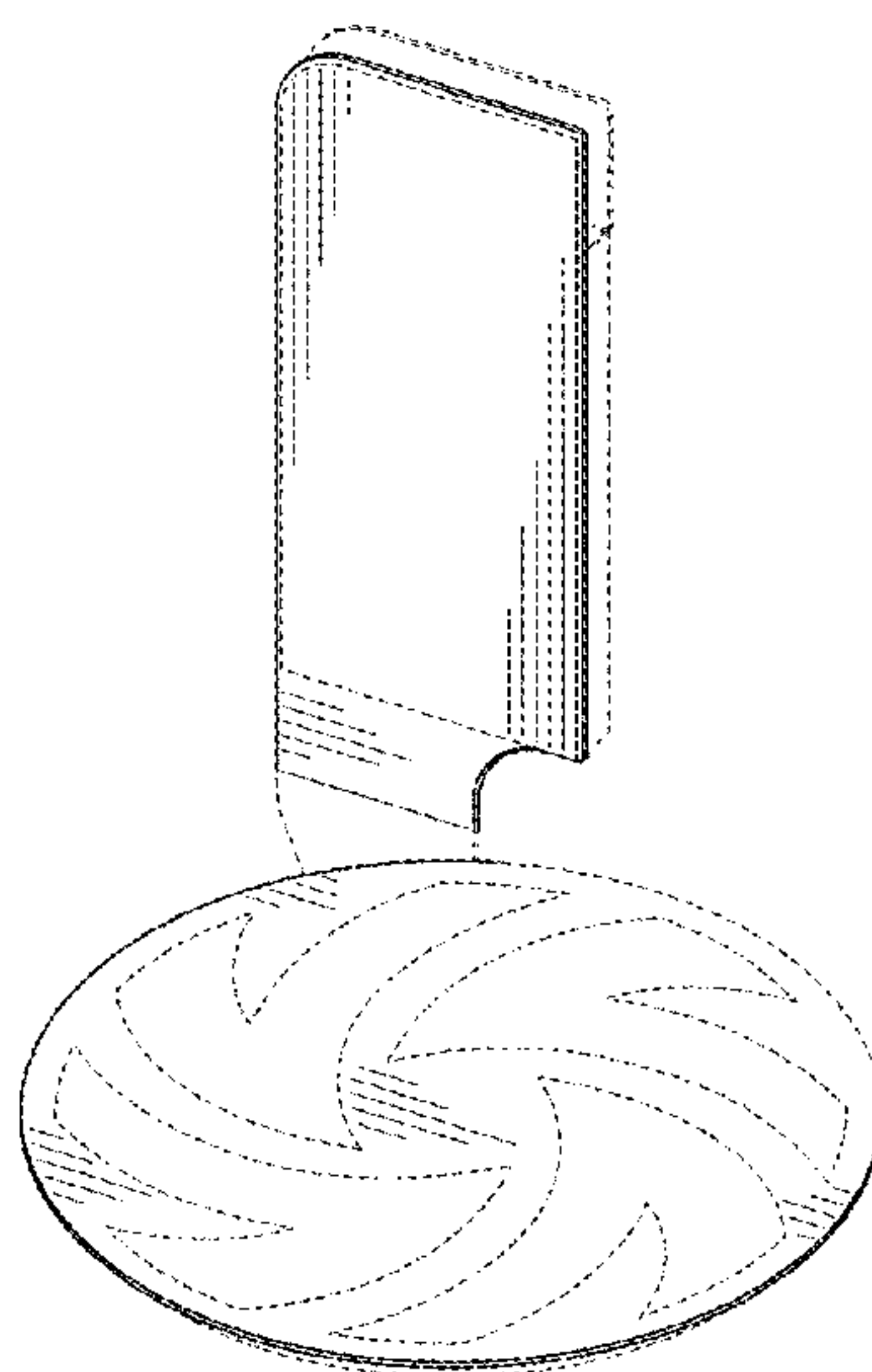
The ornamental design for a display device, as shown and described.

DESCRIPTION

FIG. 1 is a perspective view of a display device showing our new design;
FIG. 2 is a front view thereof;
FIG. 3 is a rear view thereof;
FIG. 4 is a first side view thereof;
FIG. 5 is a second side view thereof;
FIG. 6 is a top view thereof;
FIG. 7 is a bottom view thereof;
FIG. 8 is a perspective view of a second embodiment of a display device showing our new design;
FIG. 9 is a front view thereof;
FIG. 10 is a rear view thereof;
FIG. 11 is a first side view thereof;
FIG. 12 is a second side view thereof;
FIG. 13 is a top view thereof; and,
FIG. 14 is a bottom view thereof.
The broken lines in the figures are included for the purpose of illustrating portions of a display device and form no part of the claimed design.

(56) **References Cited**
U.S. PATENT DOCUMENTS
D351,402 S * 10/1994 Tamura D18/4.5
D354,074 S * 1/1995 Ono D18/4.5

1 Claim, 8 Drawing Sheets



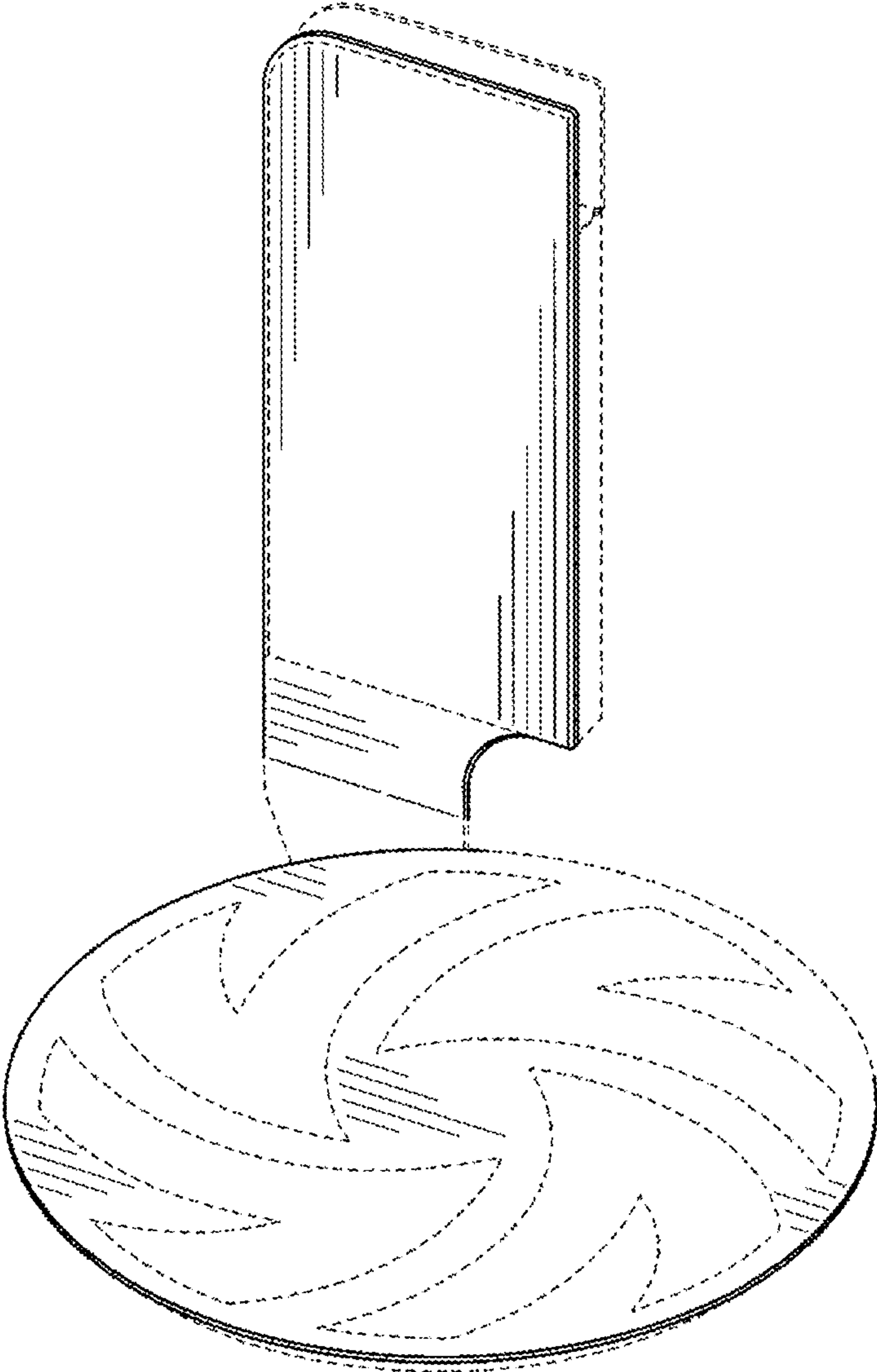


FIG. 1

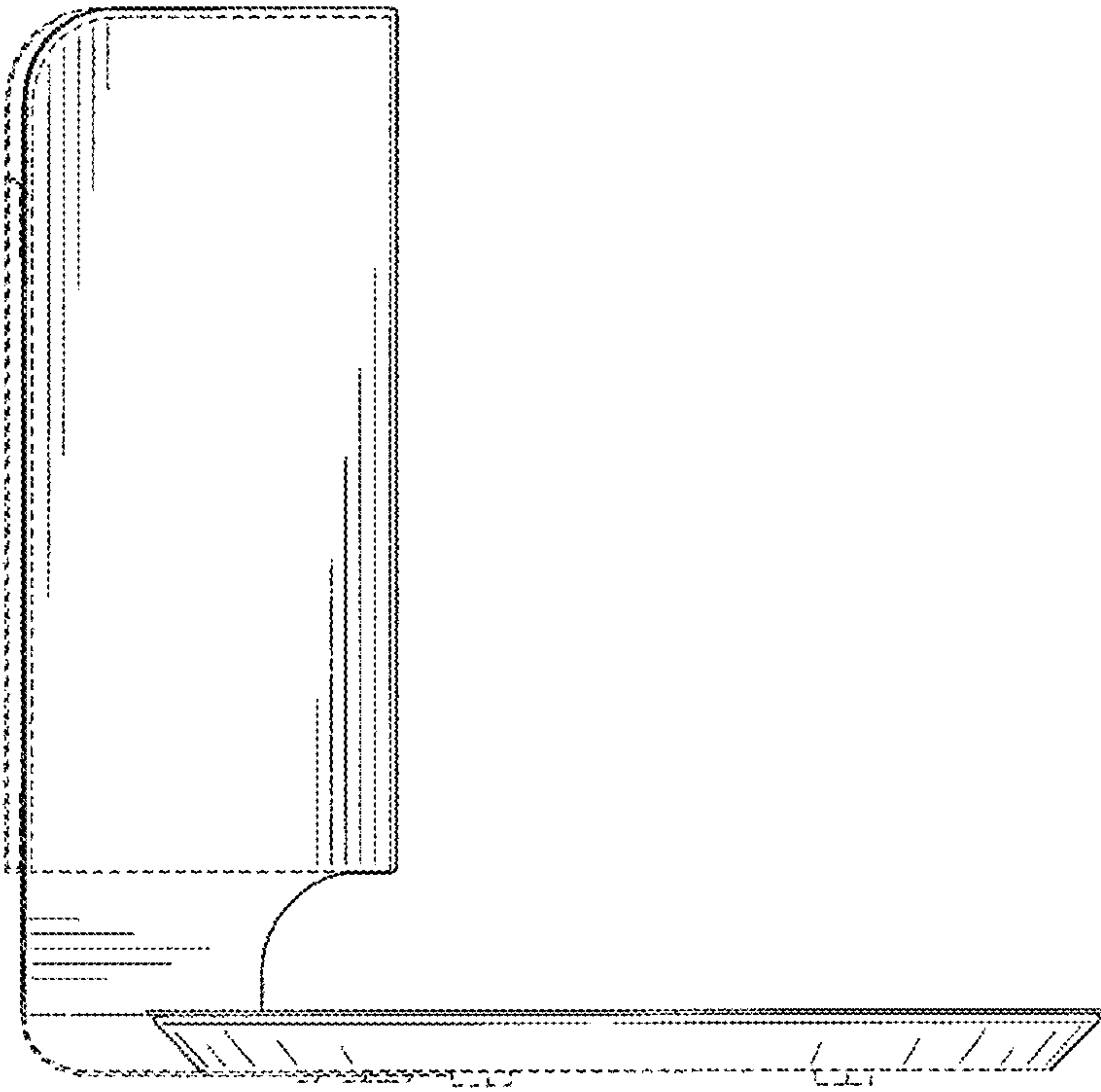


FIG. 2

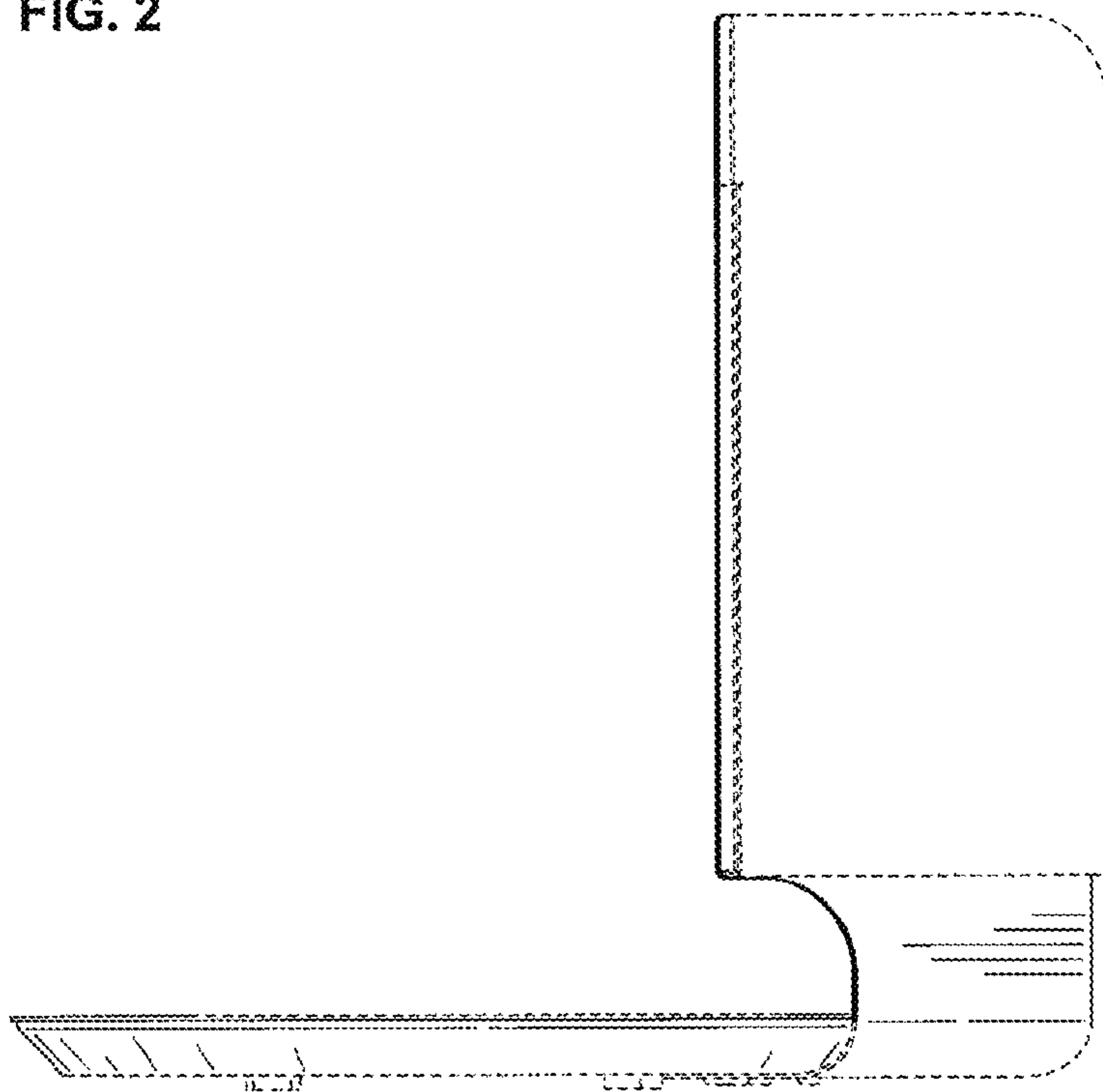


FIG. 3

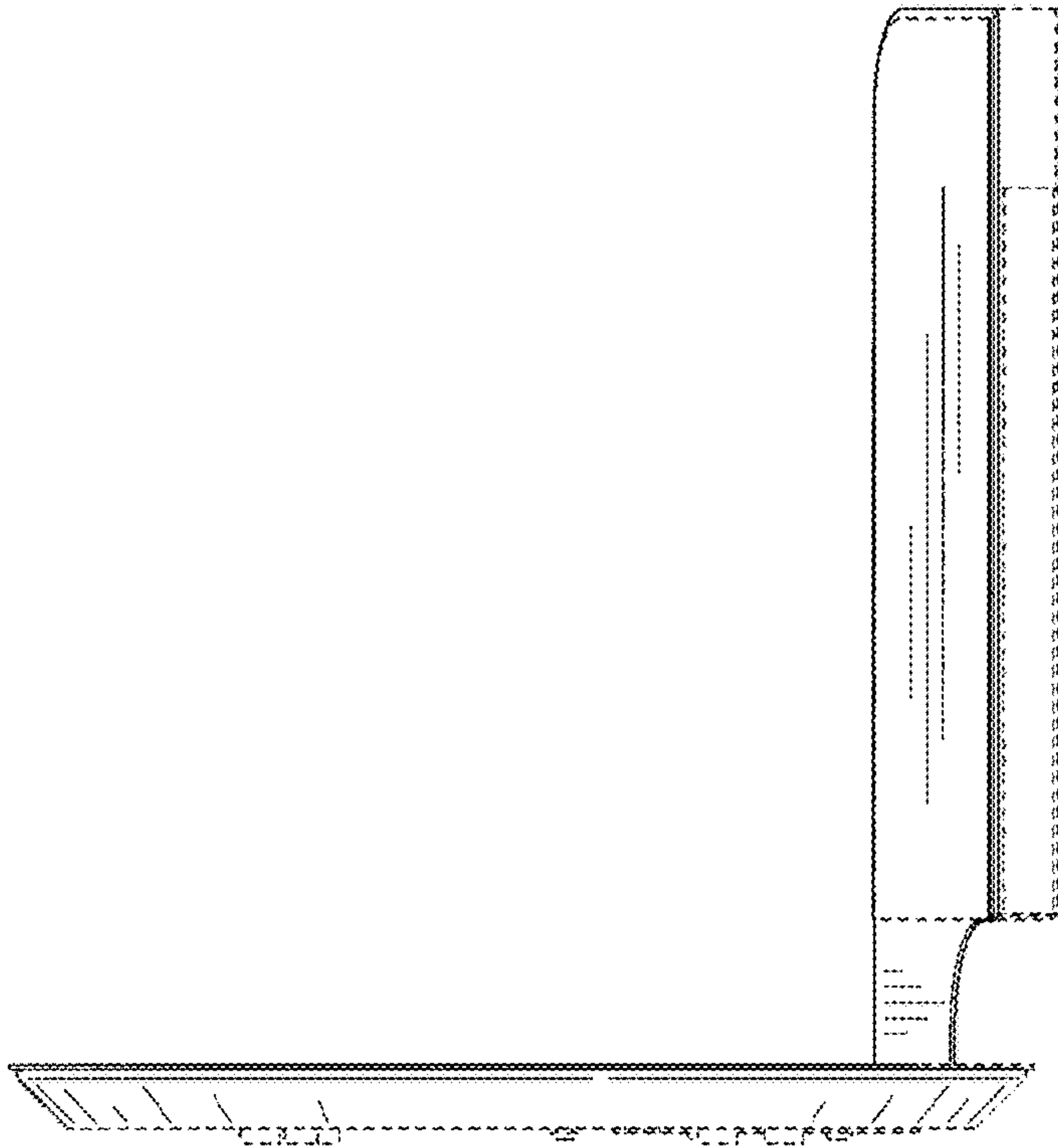


FIG. 4

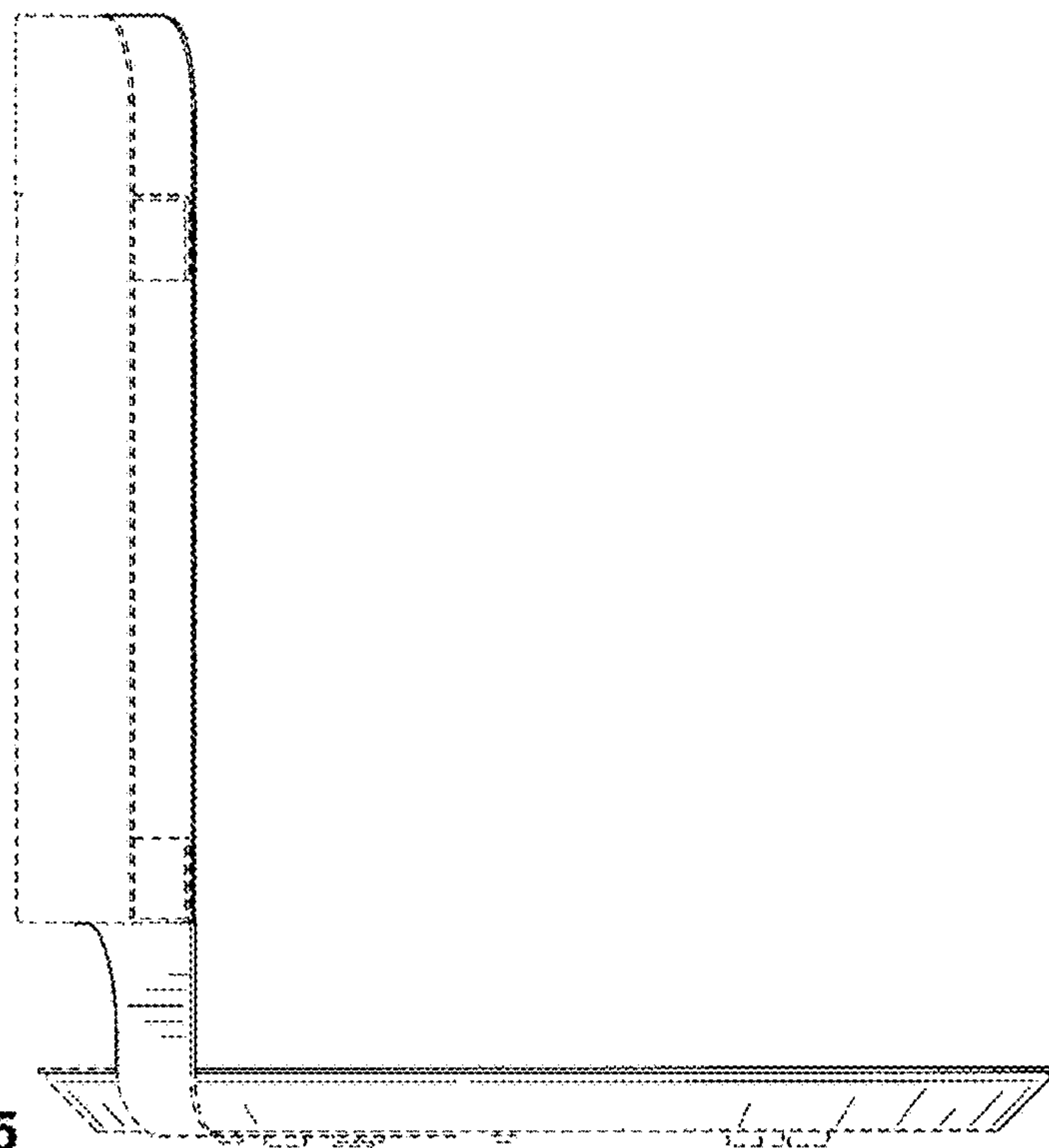


FIG. 5

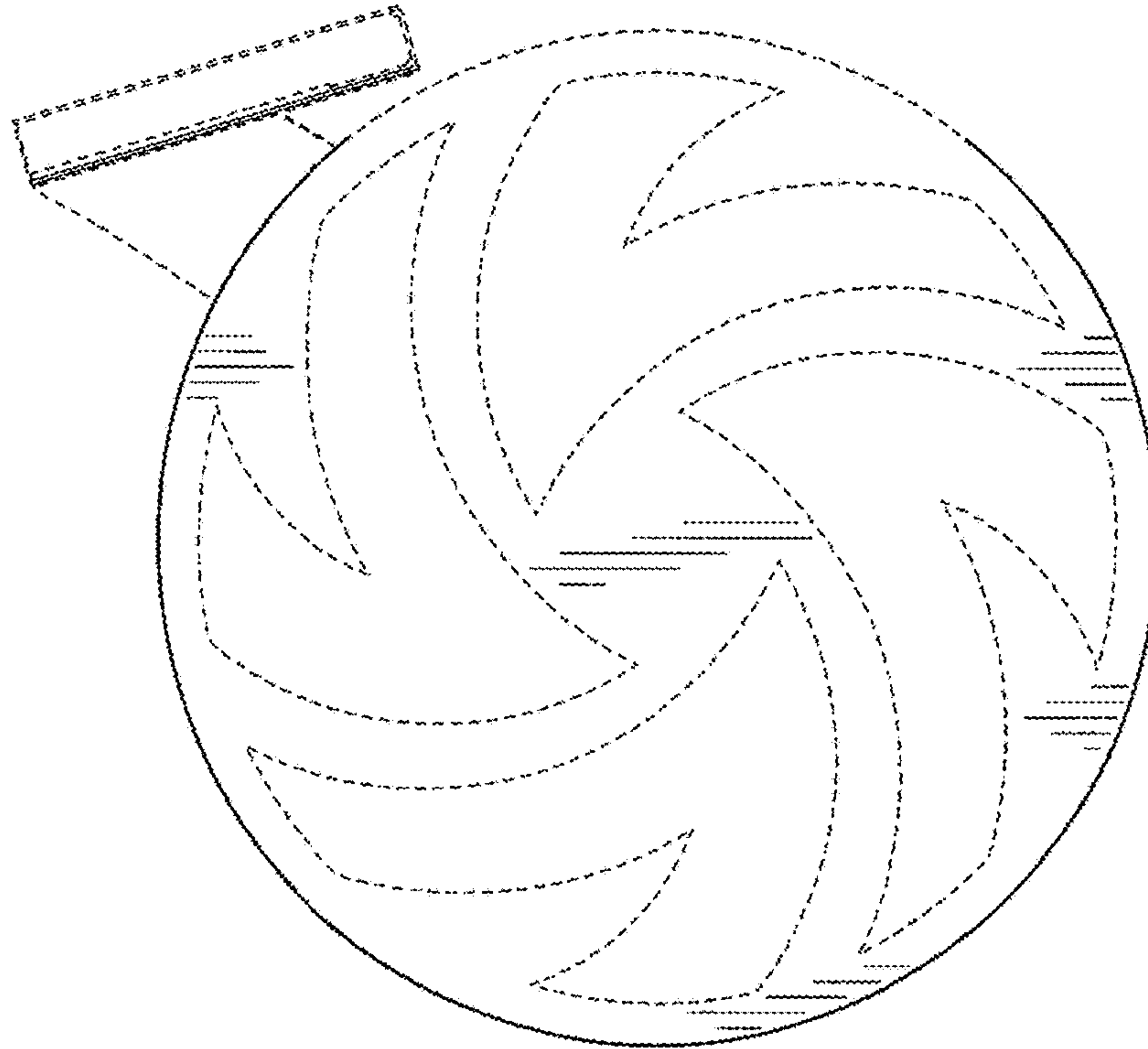


FIG. 6

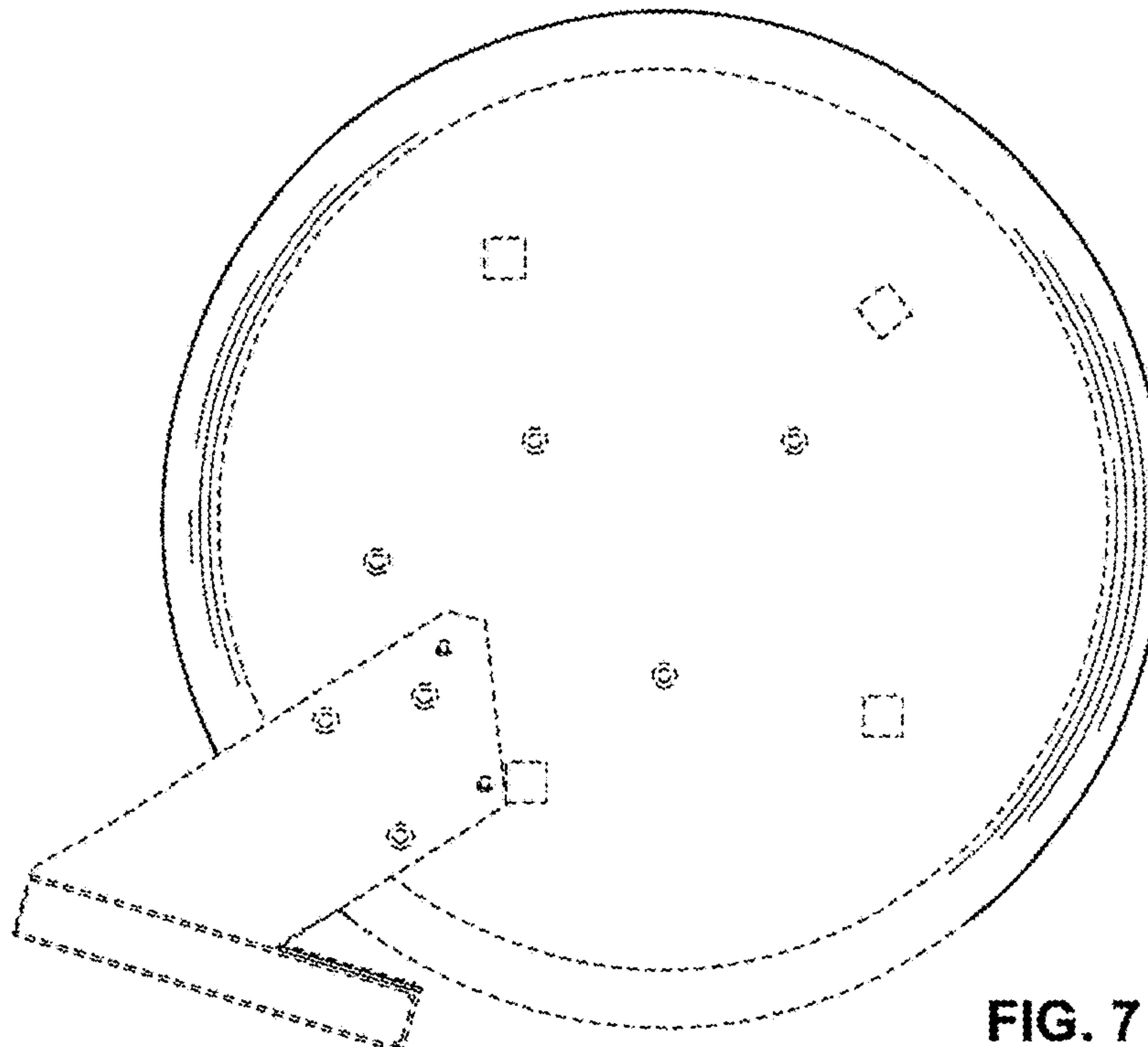


FIG. 7

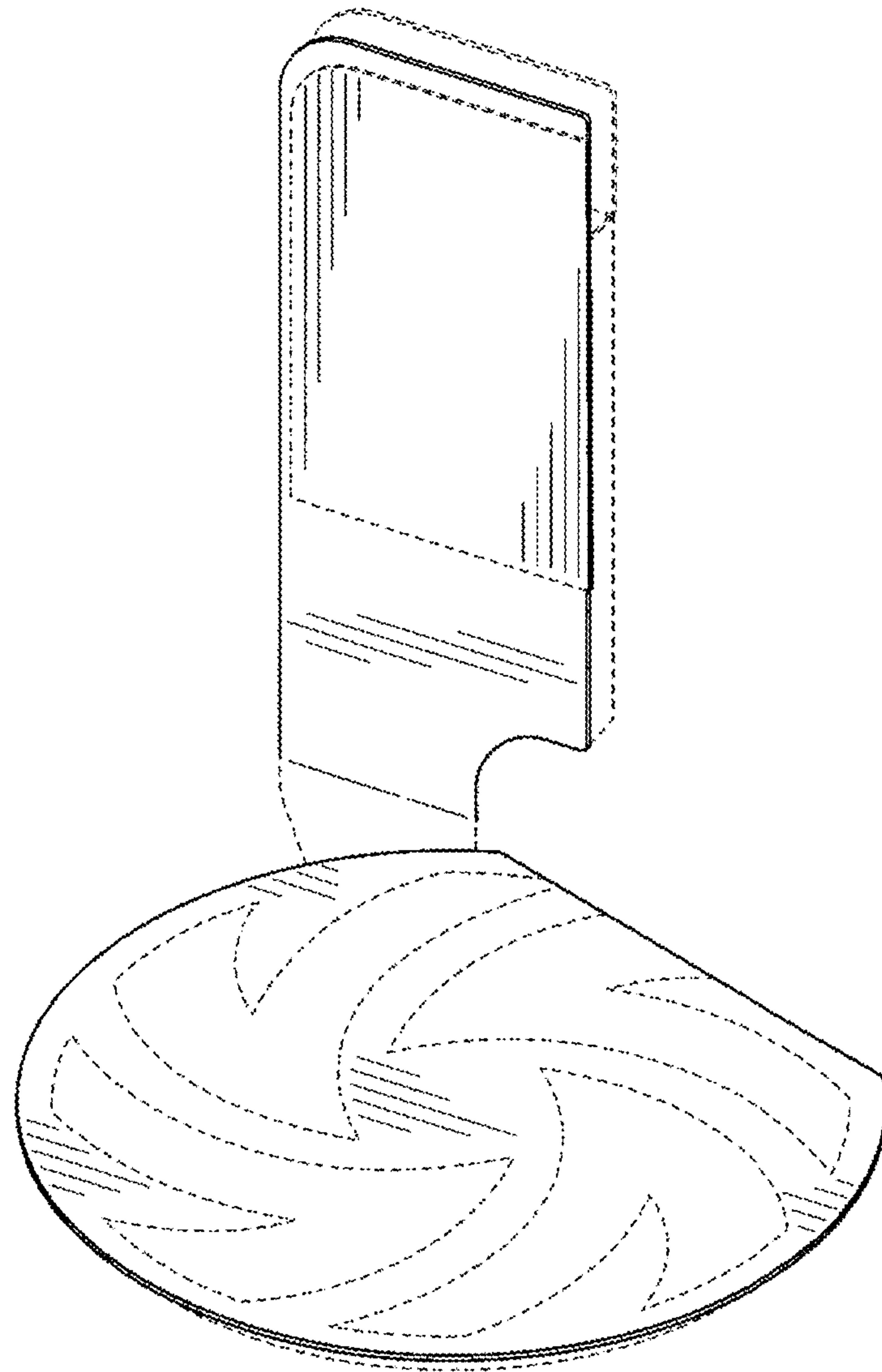


FIG. 8

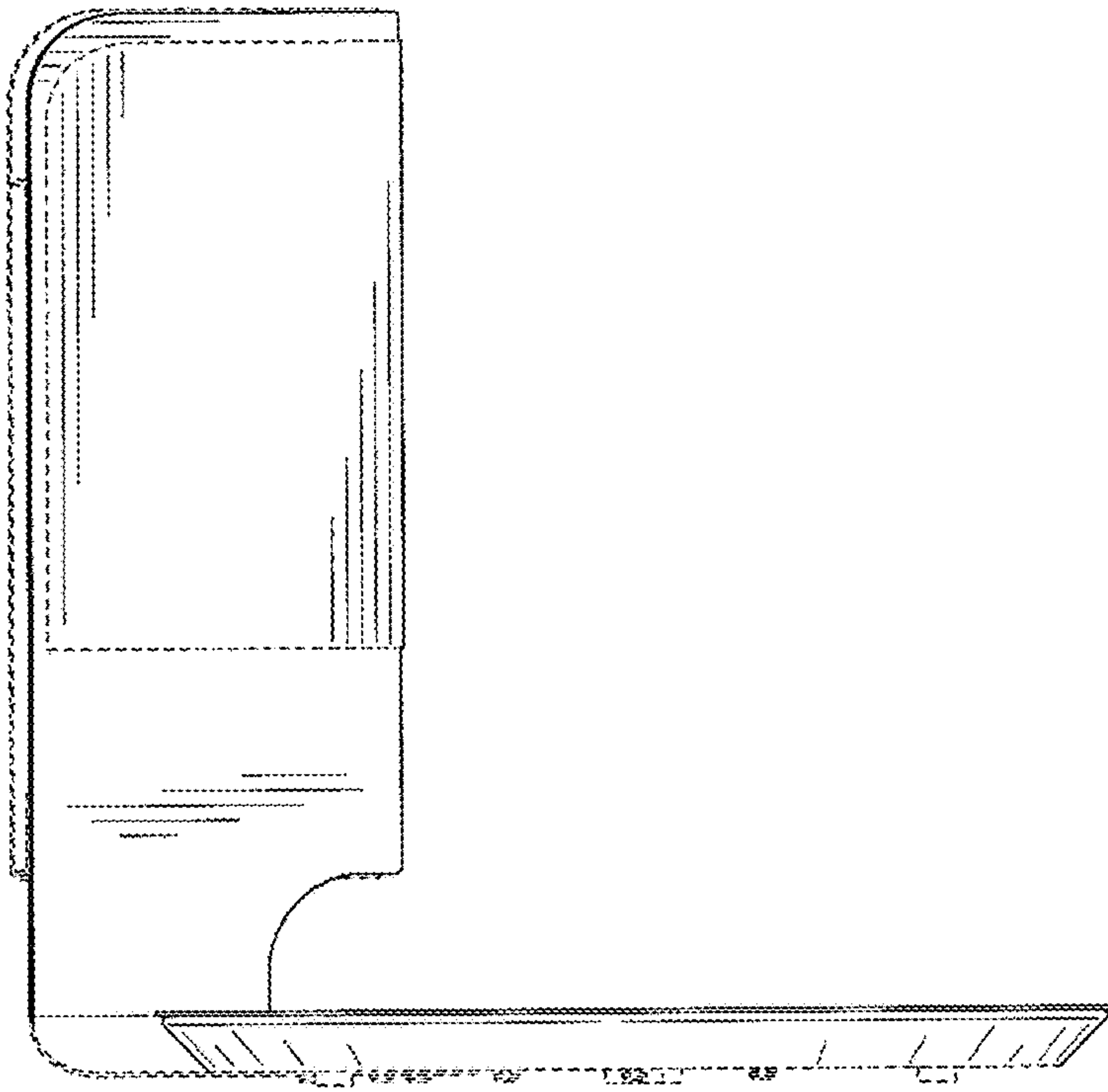


FIG. 9

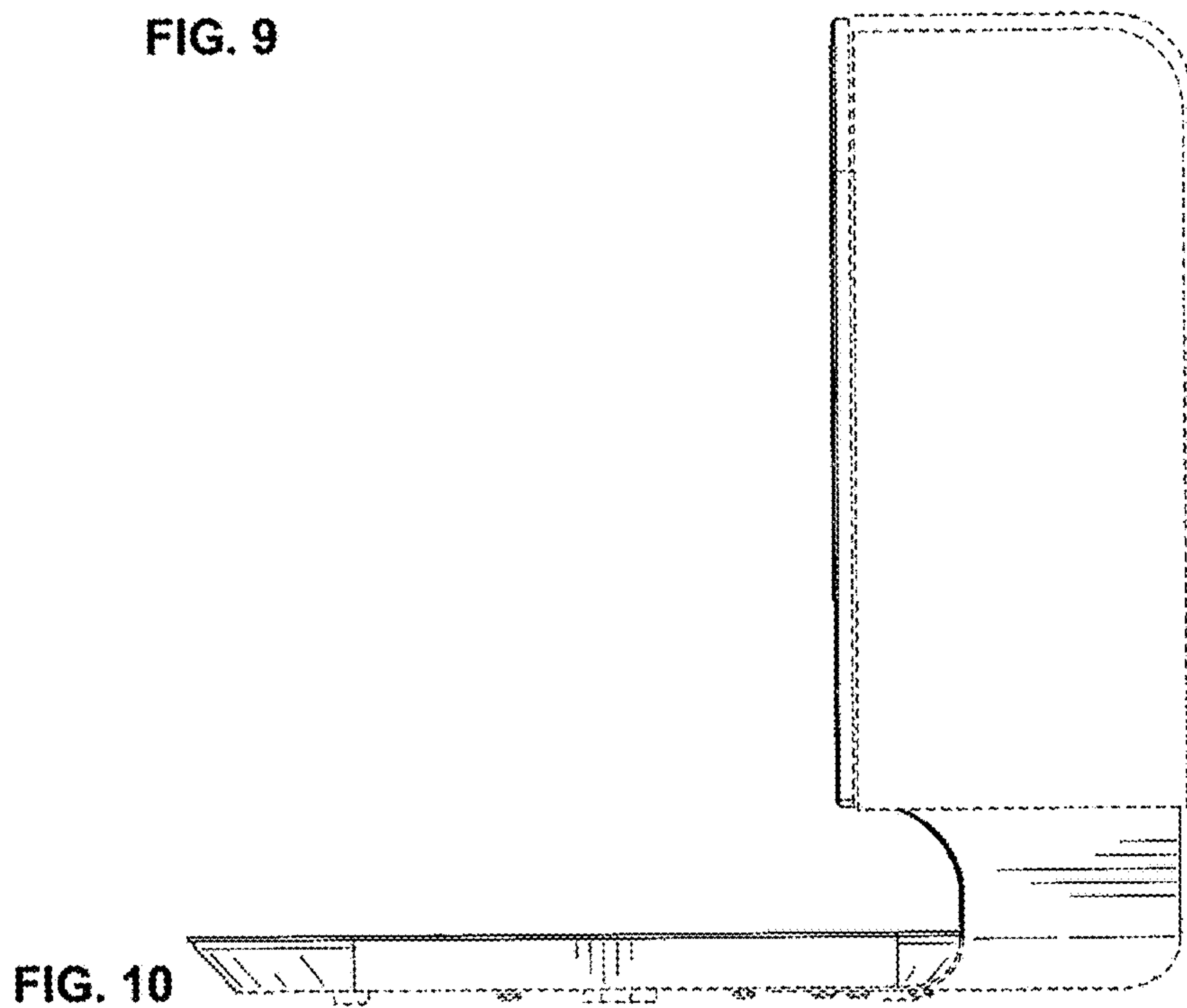


FIG. 10

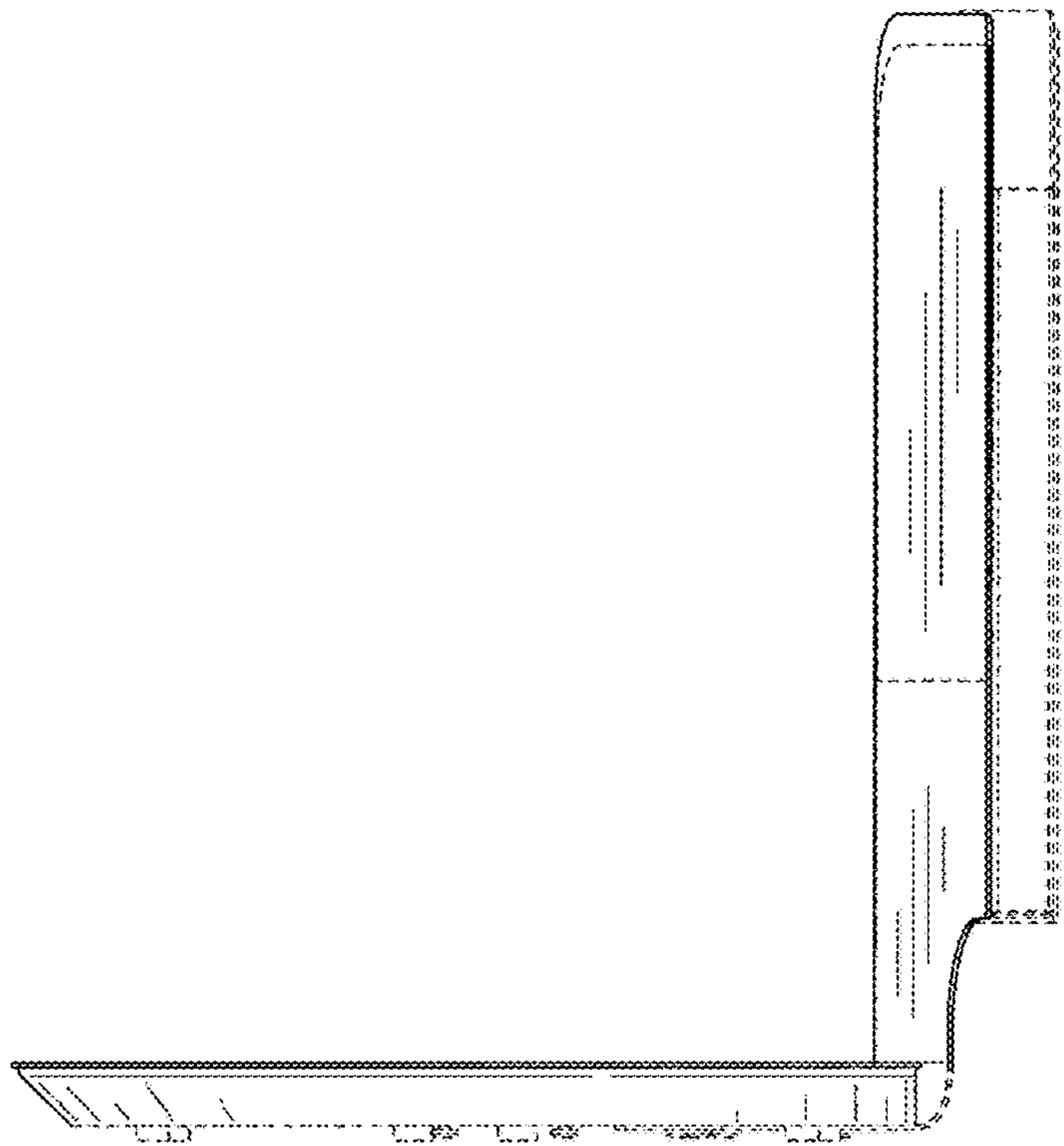


FIG. 11

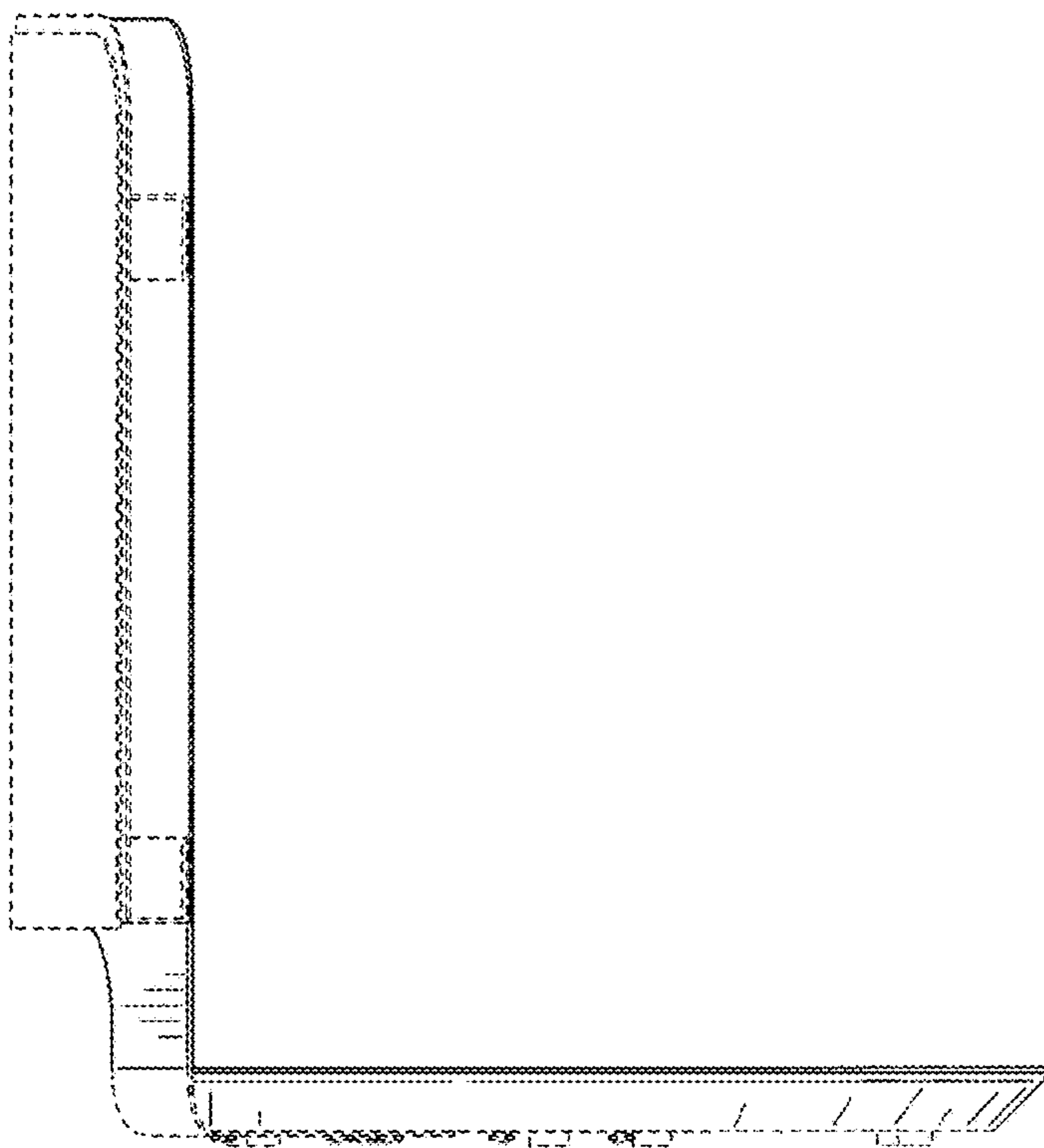


FIG. 12

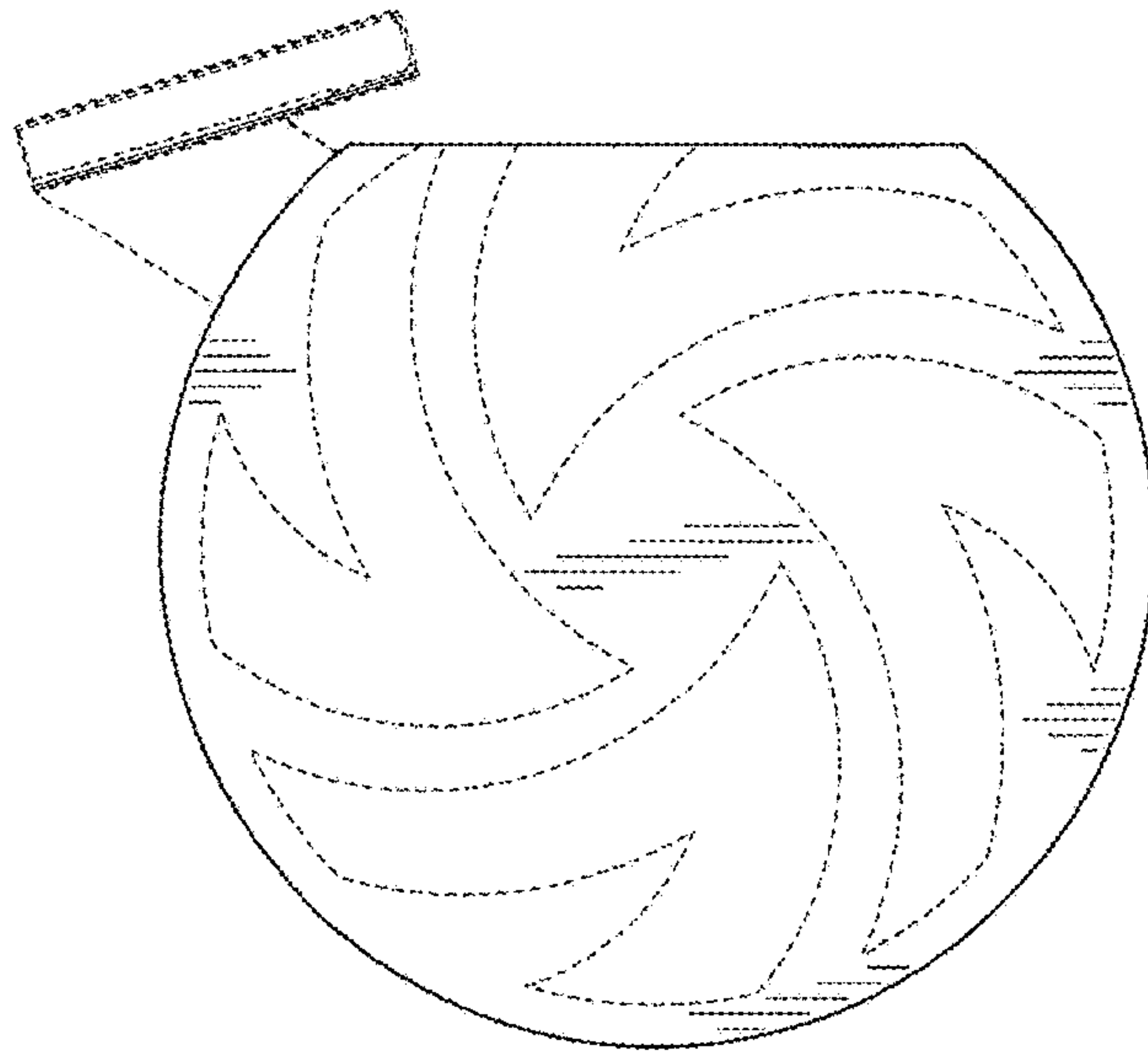


FIG. 13

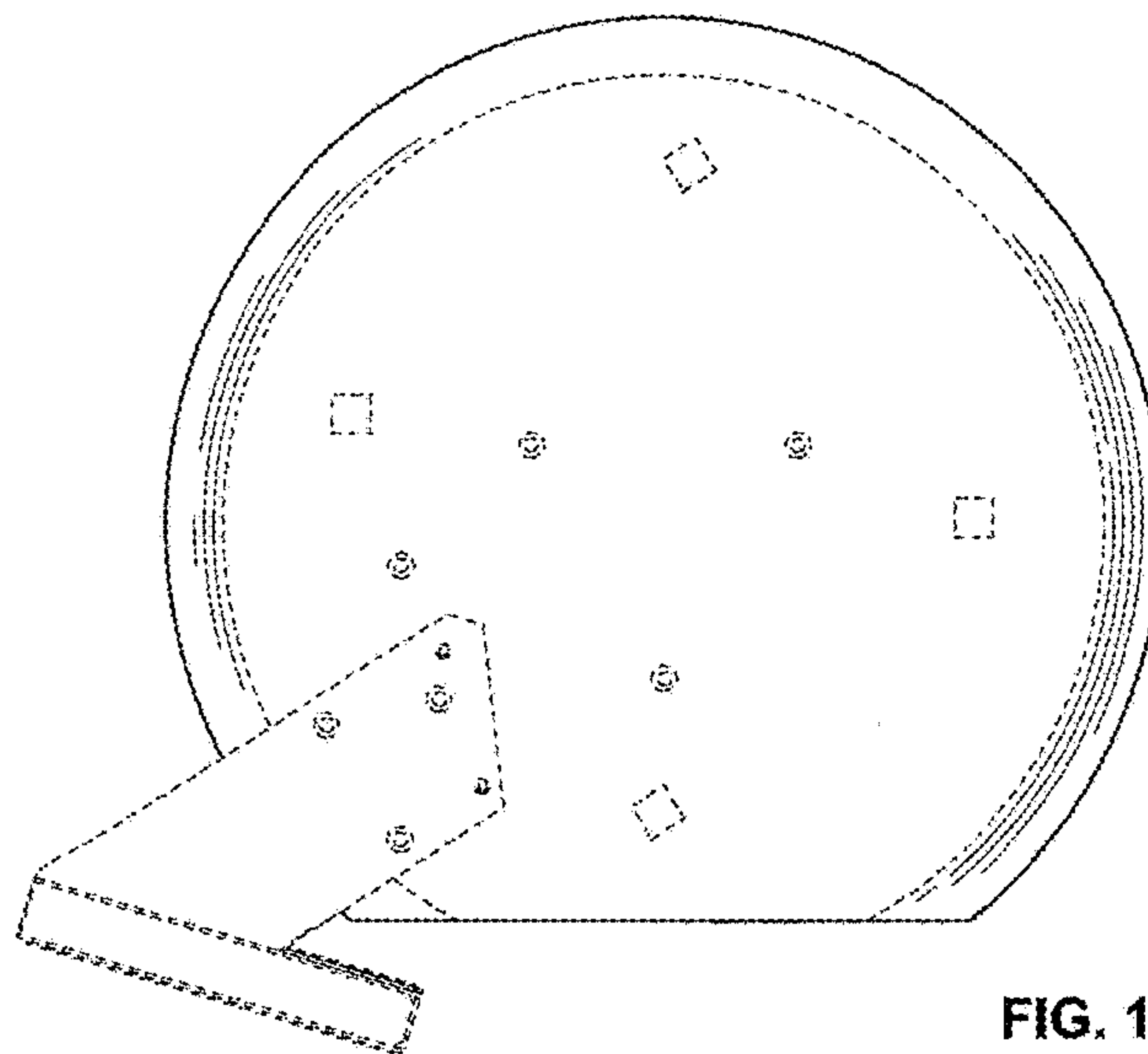


FIG. 14