



US00D791765S

(12) **United States Design Patent**
von Badinski et al.

(10) **Patent No.:** **US D791,765 S**
(45) **Date of Patent:** **** Jul. 11, 2017**

- (54) **WEARABLE COMPUTING DEVICE**
- (71) Applicant: **Mechio Inc.**, San Francisco, CA (US)
- (72) Inventors: **Curt C. von Badinski**, Valencia, CA (US); **Michael J. Strasser**, San Francisco, CA (US)
- (73) Assignee: **Motiv Inc.**, San Francisco, CA (US)
- (**) Term: **15 Years**
- (21) Appl. No.: **29/551,034**
- (22) Filed: **Jan. 8, 2016**

3,557,571 A *	1/1971	De Santo	A44C 9/0084	63/15.6
3,790,775 A	2/1974	Rosenblatt			
D260,620 S *	9/1981	Blum	D11/3	
D262,527 S	1/1982	Goldberg			
4,407,295 A	10/1983	Steuer et al.			
4,510,625 A *	4/1985	Mizuki	A61F 9/061	2/8.3
4,903,176 A	2/1990	Chen			
5,191,891 A	3/1993	Righter			
D343,590 S	1/1994	Dubs			
D392,585 S	3/1998	Kohl			
D394,411 S *	5/1998	Gozlan	D11/4	
D442,509 S *	5/2001	Yamanaka	D11/26	
6,255,800 B1	7/2001	Bork			
D473,155 S *	4/2003	Bonnet	D11/26	
D480,981 S *	10/2003	Pasquetti	D11/26	
D488,086 S	4/2004	Schubach			

(Continued)

Related U.S. Application Data

- (62) Division of application No. 29/492,739, filed on Jun. 2, 2014, now Pat. No. Des. 756,999.
- (51) **LOC (10) Cl.** **14-01**
- (52) **U.S. Cl.**
USPC **D14/344**
- (58) **Field of Classification Search**
USPC D14/344, 341, 343; D11/26; 63/15.3, 63/15.6, 15; 455/556.1; 345/156, 157, 345/158, 168; 361/679.03, 679.06, 361/679.09; D24/186; D30/152; D29/121.1
CPC G06F 1/16; G06F 3/041; G09G 5/00
See application file for complete search history.

FOREIGN PATENT DOCUMENTS

EP	2660680 A1	11/2013
WO	2013093638 A3	6/2013
WO	2013163326 A1	10/2013

Primary Examiner — Paula Greene

(74) *Attorney, Agent, or Firm* — William A. Loginov; Loginov & Associates

(57) **CLAIM**

The ornamental design for wearable computing device, as shown and described.

DESCRIPTION

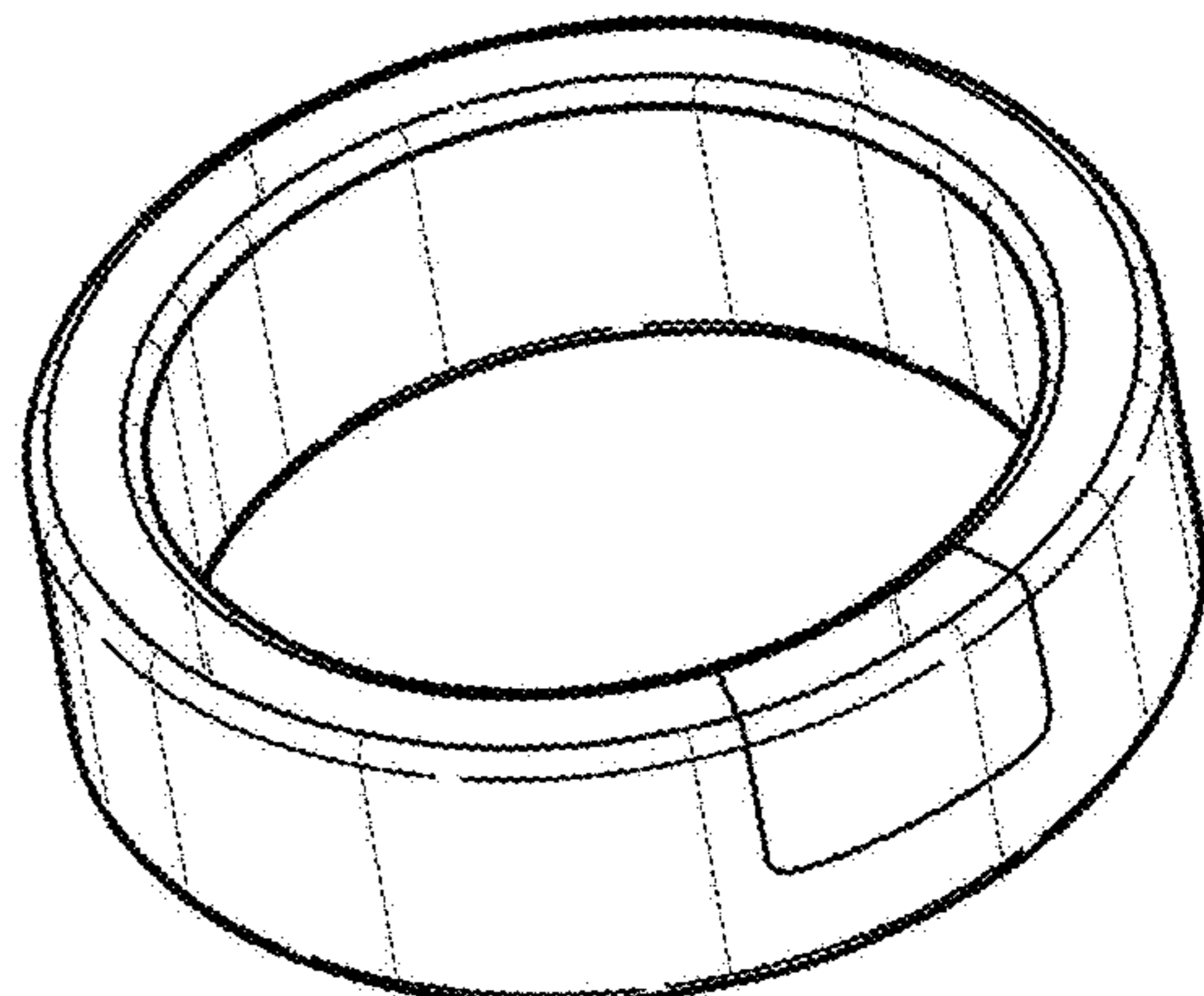
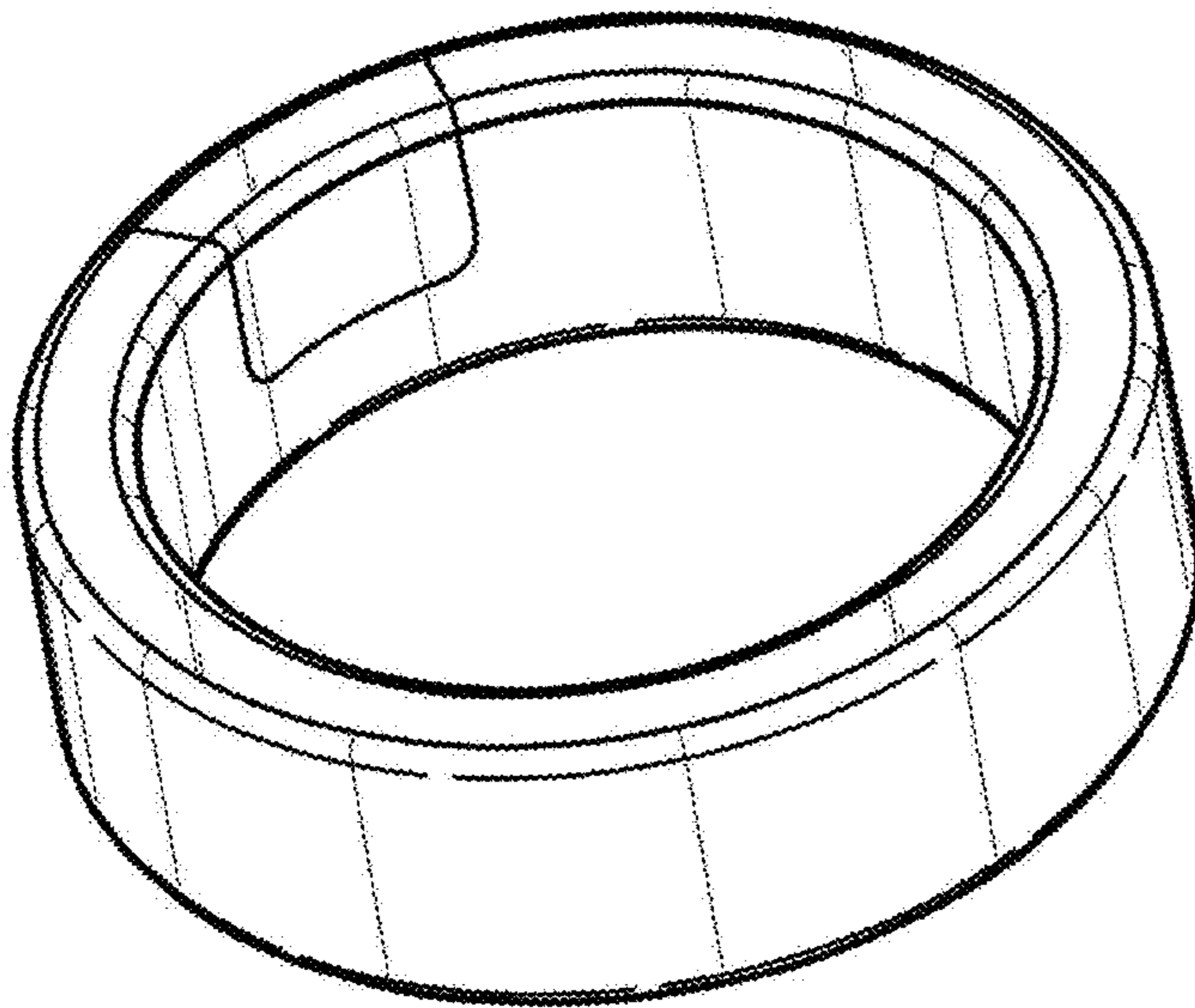
FIG. 1 is a perspective view of a wearable computing device showing a unified window as both an exterior window and an interior window, according to the embodiment showing our new design; and, FIG. 2 is a perspective view of a wearable computing device showing the unified window from an opposing viewpoint.

1 Claim, 2 Drawing Sheets

(56) **References Cited**

U.S. PATENT DOCUMENTS

1,422,819 A *	7/1922	Blaicher	A44C 9/00	63/15
D88,984 S *	1/1933	Peterson	D11/38	
2,128,644 A *	8/1938	Gittler	A44C 9/0015	63/15
2,952,967 A	9/1960	Nussle			
D203,551 S	1/1966	Tranfield			



(56)

References Cited

U.S. PATENT DOCUMENTS

D533,085 S *	12/2006	Mourgue	D10/32	D729,650 S *	5/2015	Phillips	D10/32
7,247,979 B2 *	7/2007	Umina	G01D 11/245	D734,329 S *	7/2015	Lee	D14/344
				310/311	D735,712 S	8/2015	Nishimoto		
D562,175 S *	2/2008	Miller	D11/35	D738,769 S	9/2015	Tan et al.		
D567,227 S	4/2008	Hada			D756,999 S *	5/2016	von Badinski	D14/344
D570,711 S *	6/2008	Dorsz	D10/32	D772,226 S *	11/2016	Zenoff	D14/344
7,444,001 B2	10/2008	Roberts et al.			2002/0156352 A1	10/2002	Eggers		
D594,000 S *	6/2009	Yeon	D14/226	2003/0142065 A1	7/2003	Pahlavan		
D600,571 S	9/2009	Singer			2004/0134228 A1	7/2004	Sills		
D608,236 S	1/2010	Akdemir			2006/0046709 A1	3/2006	Krumm et al.		
D640,367 S *	6/2011	Lin	D24/107	2006/0142968 A1	6/2006	Han et al.		
D643,428 S *	8/2011	Janky	D14/240	2008/0236195 A1	10/2008	Woebke		
8,028,413 B2 *	10/2011	Miller	A44C 17/02	2009/0255666 A1 *	10/2009	Olsen	E21B 17/1028
				29/10					166/208
8,090,418 B2	1/2012	Thiel et al.			2010/0100004 A1	4/2010	van Someren		
D664,881 S	8/2012	Cobbett et al.			2010/0156624 A1	6/2010	Hounsell		
D671,858 S	12/2012	Cobbett et al.			2011/0070829 A1	3/2011	Griffin et al.		
8,346,327 B2	1/2013	Campbell et al.			2012/0036893 A1	2/2012	Forero et al.		
D677,190 S *	3/2013	Cobbett	D11/3	2012/0218184 A1	8/2012	Wissmar		
D684,497 S *	6/2013	Cobbett	D11/3	2012/0254809 A1	10/2012	Yang et al.		
D688,584 S *	8/2013	Cobbett	D11/3	2013/0027341 A1 *	1/2013	Mastandrea	G06F 3/014
D688,585 S	8/2013	Ohnemus et al.							345/173
8,502,769 B2	8/2013	Kim			2013/0167221 A1	6/2013	Vukoszavlyev et al.		
8,515,506 B2	8/2013	Ridder et al.			2013/0191789 A1	7/2013	Calman et al.		
D690,218 S *	9/2013	Cobbett	D11/3	2013/0217326 A1	8/2013	Symons		
8,554,297 B2	10/2013	Moon et al.			2013/0261771 A1	10/2013	Ten Kate		
8,570,372 B2	10/2013	Russell			2013/0271069 A1	10/2013	Partovi		
8,583,167 B2	11/2013	Chun			2015/0185852 A1 *	7/2015	Guo	G06F 3/017
8,626,249 B2	1/2014	Ungari et al.							345/156
8,638,190 B1	1/2014	Want et al.			2015/0220109 A1 *	8/2015	von Badinski	G01P 15/00
D703,069 S	4/2014	Adams et al.							340/539.12
D711,002 S *	8/2014	Ohnemus	D24/186	2015/0277559 A1 *	10/2015	Vescovi	G06F 3/014
D714,179 S	9/2014	Park et al.							345/173
D721,609 S	1/2015	Duddy			2016/0253141 A1 *	9/2016	Sarkar	G06F 3/1423
									345/156

* cited by examiner

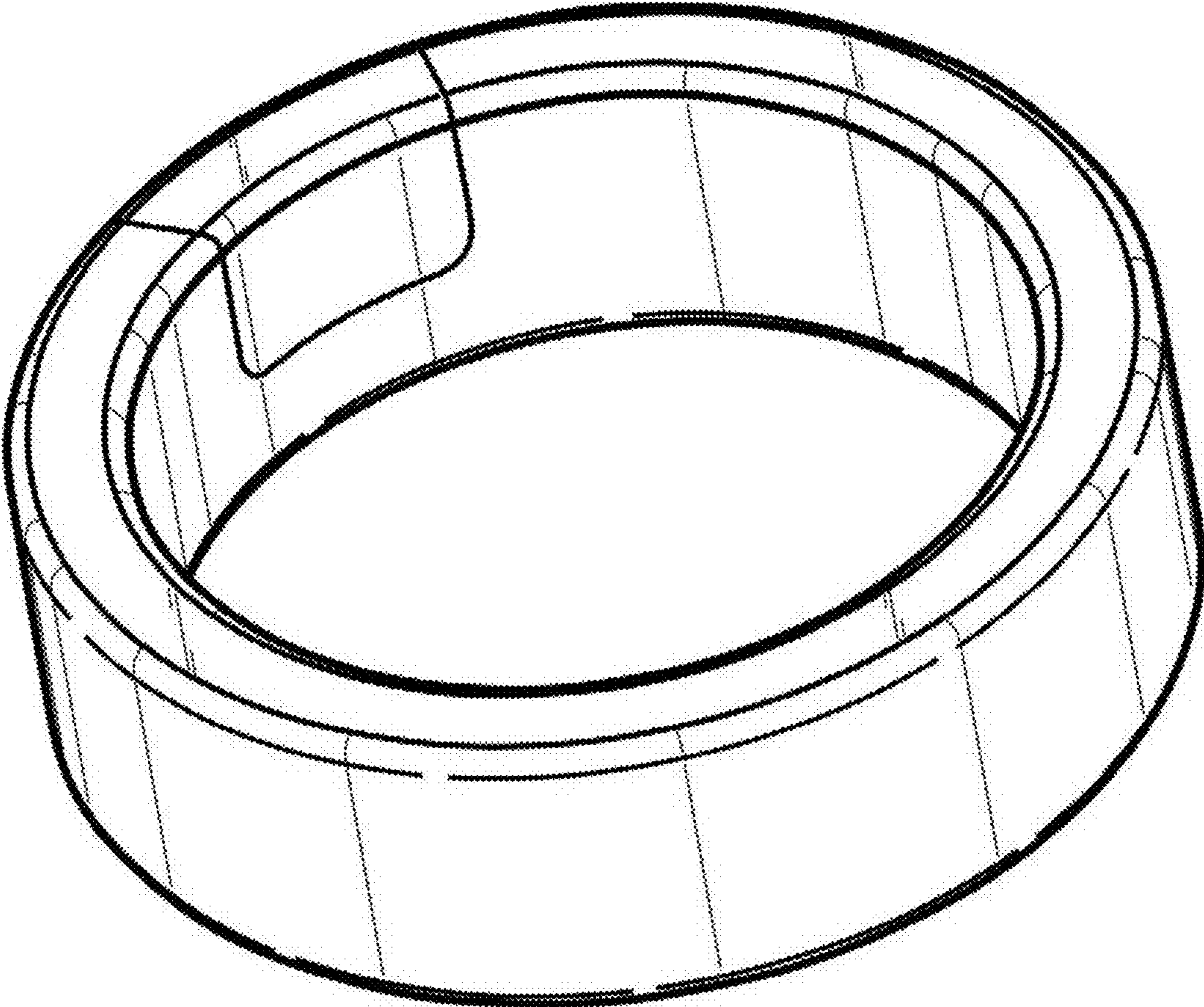


Fig. 1

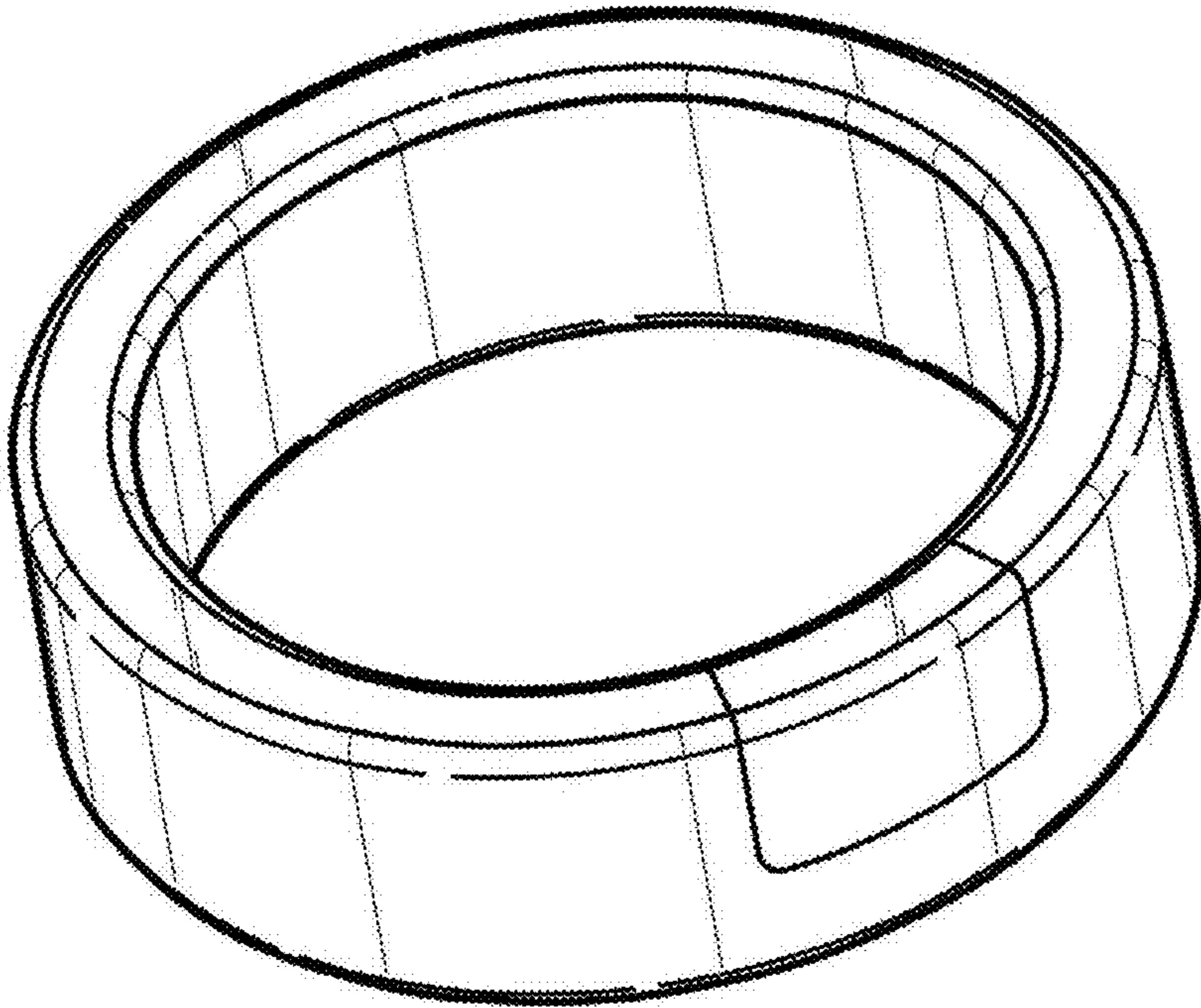


Fig. 2