

US00D791763S

(12) **United States Design Patent** (10) **Patent No.:** **US D791,763 S**  
**Akana et al.** (45) **Date of Patent:** **\*\* Jul. 11, 2017**

(54) **ELECTRONIC DEVICE**

(71) Applicant: **Apple Inc.**, Cupertino, CA (US)

(72) Inventors: **Jody Akana**, San Francisco, CA (US);  
**Bartley K. Andre**, Palo Alto, CA (US);  
**Jeremy Bataillou**, San Francisco, CA (US);  
**Daniel J. Coster**, San Francisco, CA (US);  
**Daniele De Iuliis**, San Francisco, CA (US);  
**M. Evans Hankey**, San Francisco, CA (US);  
**Julian Hoenig**, San Francisco, CA (US);  
**Richard P. Howarth**, San Francisco, CA (US);  
**Jonathan P. Ive**, San Francisco, CA (US);  
**Duncan Robert Kerr**, San Francisco, CA (US);  
**Shin Nishibori**, Kailua, HI (US);  
**Matthew Dean Rohrbach**, San Francisco, CA (US);  
**Peter Russell-Clarke**, San Francisco, CA (US);  
**Christopher J. Stringer**, Woodside, CA (US);  
**Eugene Antony Whang**, San Francisco, CA (US);  
**Rico Zörkendörfer**, San Francisco, CA (US)

(73) Assignee: **Apple Inc.**, Cupertino, CA (US)

(\*\*) Term: **15 Years**

(21) Appl. No.: **29/554,646**

(22) Filed: **Feb. 12, 2016**

**Related U.S. Application Data**

(62) Division of application No. 29/497,123, filed on Jul. 21, 2014, now Pat. No. Des. 752,035, which is a (Continued)

(51) **LOC (10) Cl.** ..... **14-02**

(52) **U.S. Cl.**  
USPC ..... **D14/336**

(58) **Field of Classification Search**

USPC ..... D14/371-375, 125-129, 336, 337, 341, D14/239; 341/12; 345/104, 156, 168, (Continued)

(56) **References Cited**

**U.S. PATENT DOCUMENTS**

D434,763 S 12/2000 Jobs et al.  
D456,023 S 4/2002 Andre et al.  
(Continued)

**OTHER PUBLICATIONS**

U.S. Appl. No. 29/455,071 of Jody Akana et al. titled "Electronic Device," filed May 16, 2013 (unpublished).  
(Continued)

*Primary Examiner* — Freda S. Nunn  
(74) *Attorney, Agent, or Firm* — Saidman DesignLaw Group, LLC

(57) **CLAIM**

The ornamental design for an electronic device, as shown and described.

**DESCRIPTION**

FIG. 1 is a perspective view of an electronic device showing our new design;  
 FIG. 2 is a rear perspective view thereof;  
 FIG. 3 is another rear perspective view thereof;  
 FIG. 4 is a front view thereof;  
 FIG. 5 is a rear view thereof;  
 FIG. 6 is a left side view thereof;  
 FIG. 7 is a right side view thereof;  
 FIG. 8 is a top view thereof;  
 FIG. 9 is a bottom view thereof;  
 FIG. 10 is a perspective view of a second embodiment thereof;  
 FIG. 11 is a rear perspective view thereof;  
 FIG. 12 is another rear perspective view thereof;  
 FIG. 13 is a front view thereof;

(Continued)

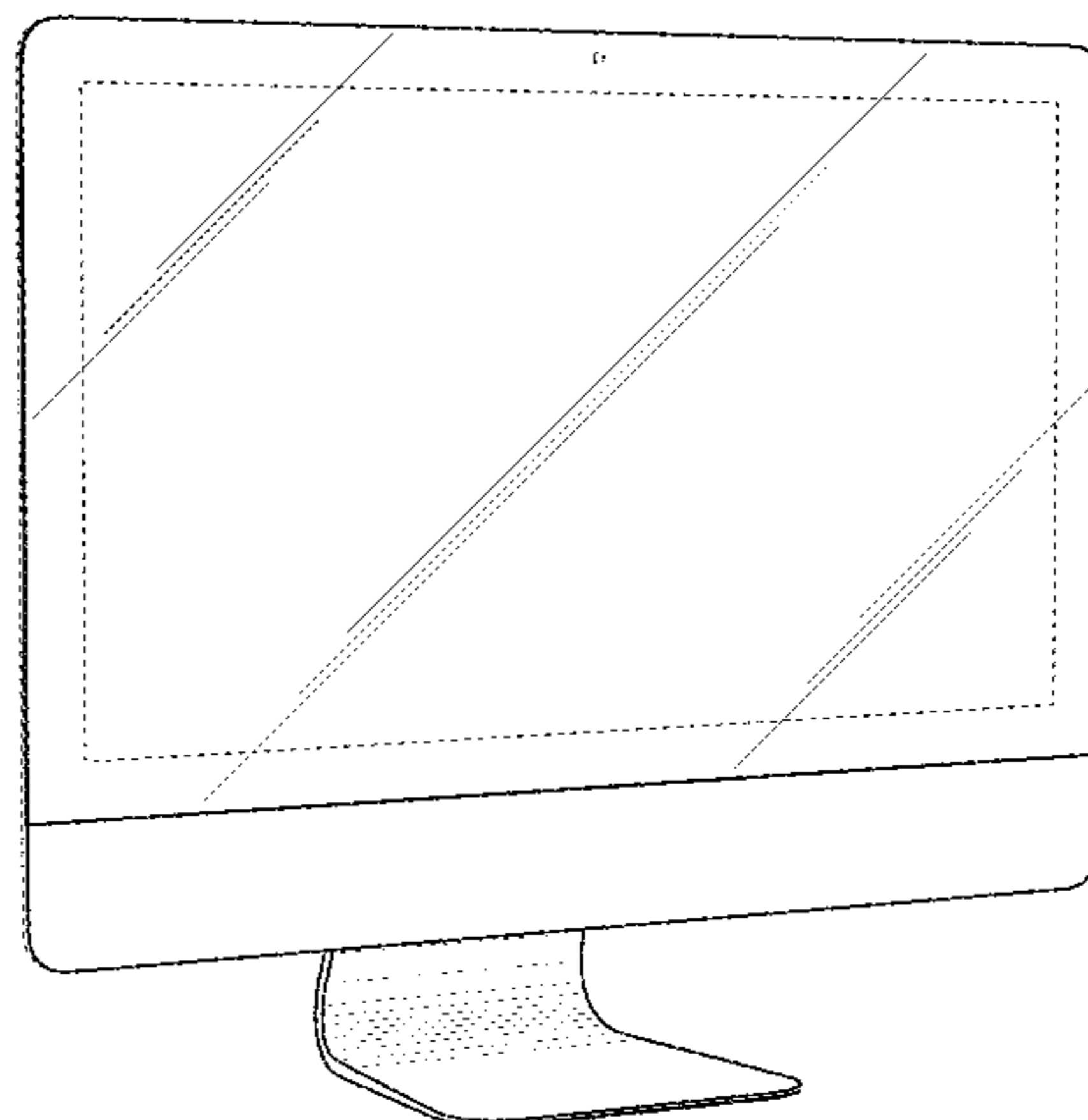


FIG. 14 is a rear view thereof;  
 FIG. 15 is a left side view thereof;  
 FIG. 16 is a right side view thereof;  
 FIG. 17 is a top view thereof; and,  
 FIG. 18 is a bottom view thereof.  
 The relatively light shade lines on the surface portions indicate contour and not surface decoration.  
 The broken lines illustrate environmental structure and form no part of the claimed design.

**1 Claim, 11 Drawing Sheets**

**Related U.S. Application Data**

division of application No. 29/431,443, filed on Sep. 7, 2013, now Pat. No. Des. 712,397.

(58) **Field of Classification Search**

USPC ..... 345/173; 348/180, 184, 325, 739; 349/1, 349/2, 11, 62; 361/679.05-679.07, 361/679.21; D6/300, 308  
 CPC ..... G06F 1/16; G06F 1/1601; G06F 3/037; G06F 1/162; G06F 1/1613; G06F 1/133308; F16M 11/02; F16M 11/10; F16M 11/00; F16M 11/06; F16M 11/18; F16M 11/045; F16M 11/105; F16M 11/041; F16M 11/126  
 See application file for complete search history.

(56) **References Cited**

U.S. PATENT DOCUMENTS

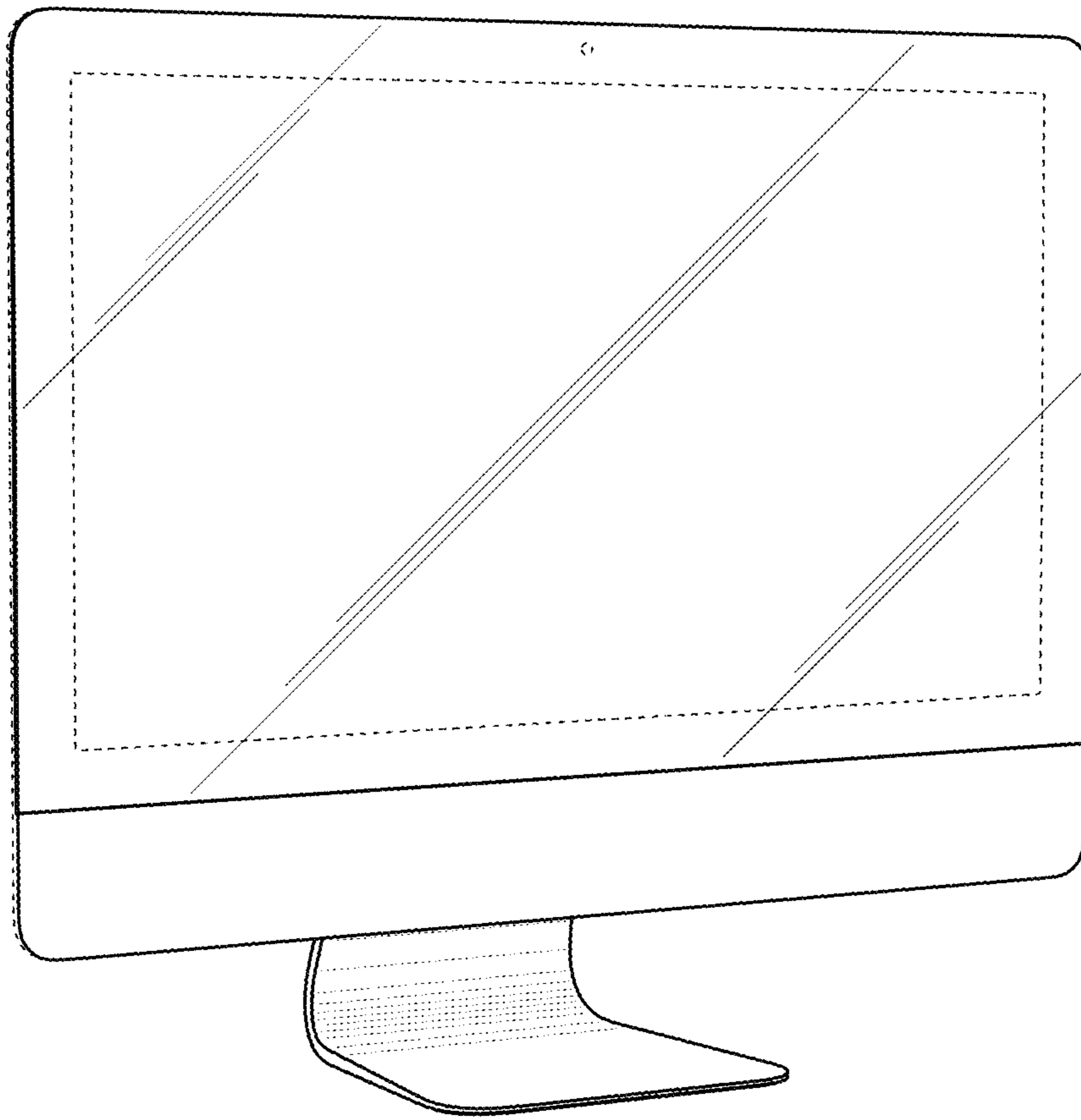
D504,889 S 5/2005 Andre et al.  
 D531,631 S 11/2006 Andre et al.  
 D532,011 S 11/2006 Andre et al.  
 D541,799 S 5/2007 Andre et al.

D556,755 S	12/2007	Lee et al.	
D564,465 S	3/2008	Onoda	
D577,694 S	9/2008	Shih et al.	
D585,034 S	1/2009	Chu	
D600,696 S	9/2009	Andre et al.	
D604,733 S	11/2009	Andre et al.	
D605,193 S	12/2009	Andre et al.	
D609,705 S	2/2010	Andre et al.	
D610,138 S	2/2010	Andre et al.	
D618,241 S	6/2010	Akana et al.	
D618,242 S	6/2010	Akana et al.	
D620,932 S	8/2010	Andre et al.	
D621,830 S	8/2010	Andre et al.	
D621,833 S	8/2010	Chang et al.	
D621,841 S	8/2010	Andre et al.	
D630,210 S	1/2011	Andre et al.	
D638,013 S	5/2011	Andre et al.	
D651,602 S	1/2012	Andre et al.	
D651,607 S	1/2012	Akana et al.	
D656,501 S	3/2012	Andre et al.	
D658,190 S	4/2012	Akana et al.	
D658,646 S	5/2012	Akana et al.	
D661,305 S	6/2012	Andre et al.	
D661,311 S	6/2012	Akana et al.	
D677,257 S	3/2013	Andre et al.	
D684,572 S	6/2013	Akana et al.	
D684,581 S	6/2013	Akana et al.	
D691,606 S	10/2013	Andre et al.	
D694,250 S	11/2013	Andre et al.	
D710,348 S	8/2014	Akana et al.	
D710,356 S	8/2014	Akana et al.	
D719,158 S	12/2014	Akana et al.	
D730,308 S	5/2015	Akana et al.	
D752,035 S *	3/2016	Akana .....	D14/336
2003/0058372 A1	3/2003	Williams et al.	
2009/0268108 A1	10/2009	Hamada	

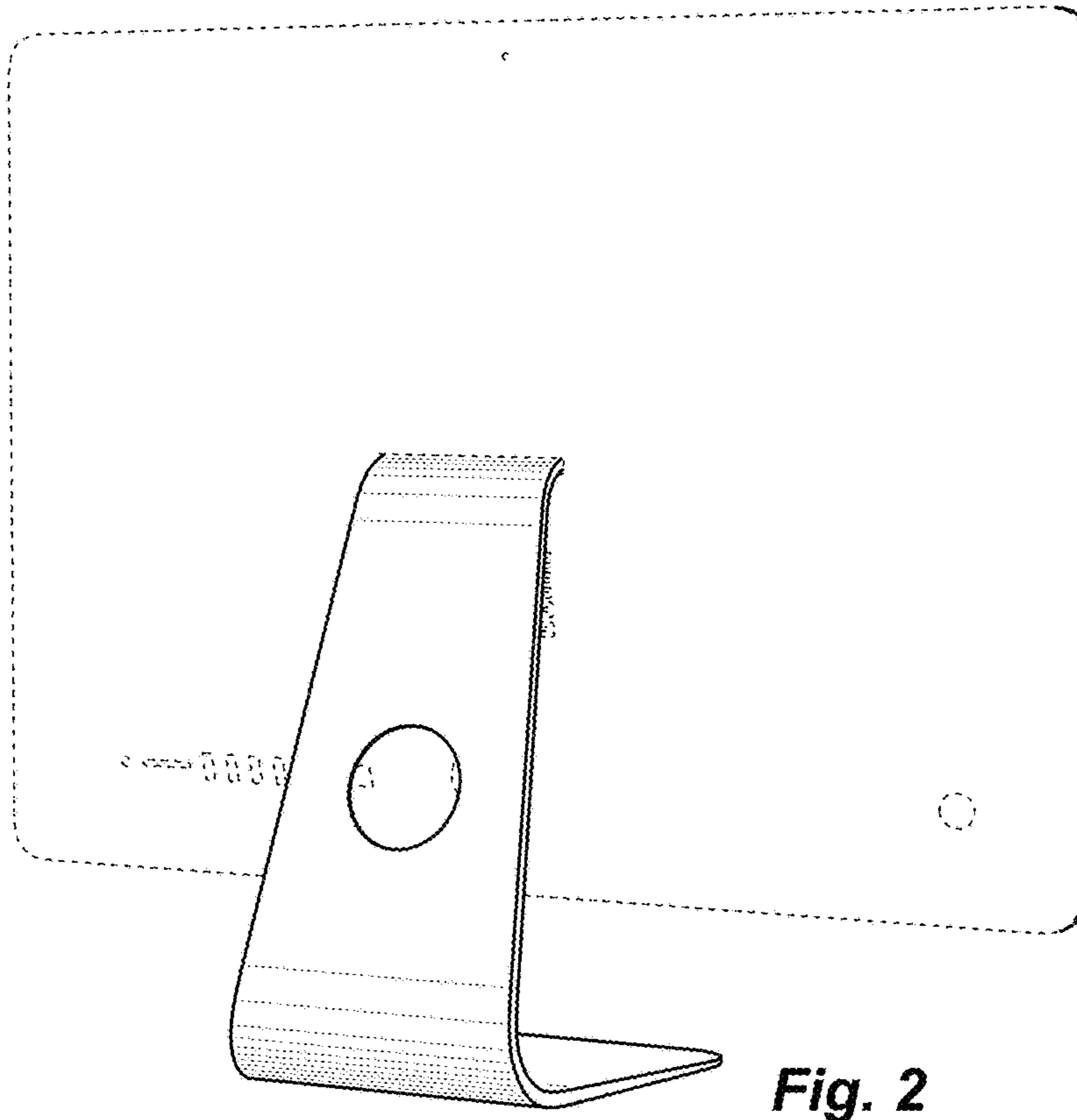
OTHER PUBLICATIONS

U.S. Appl. No. 29/468,395 of Bartley K. Andre et al. titled "Computer," filed Sep. 30, 2013 (unpublished).

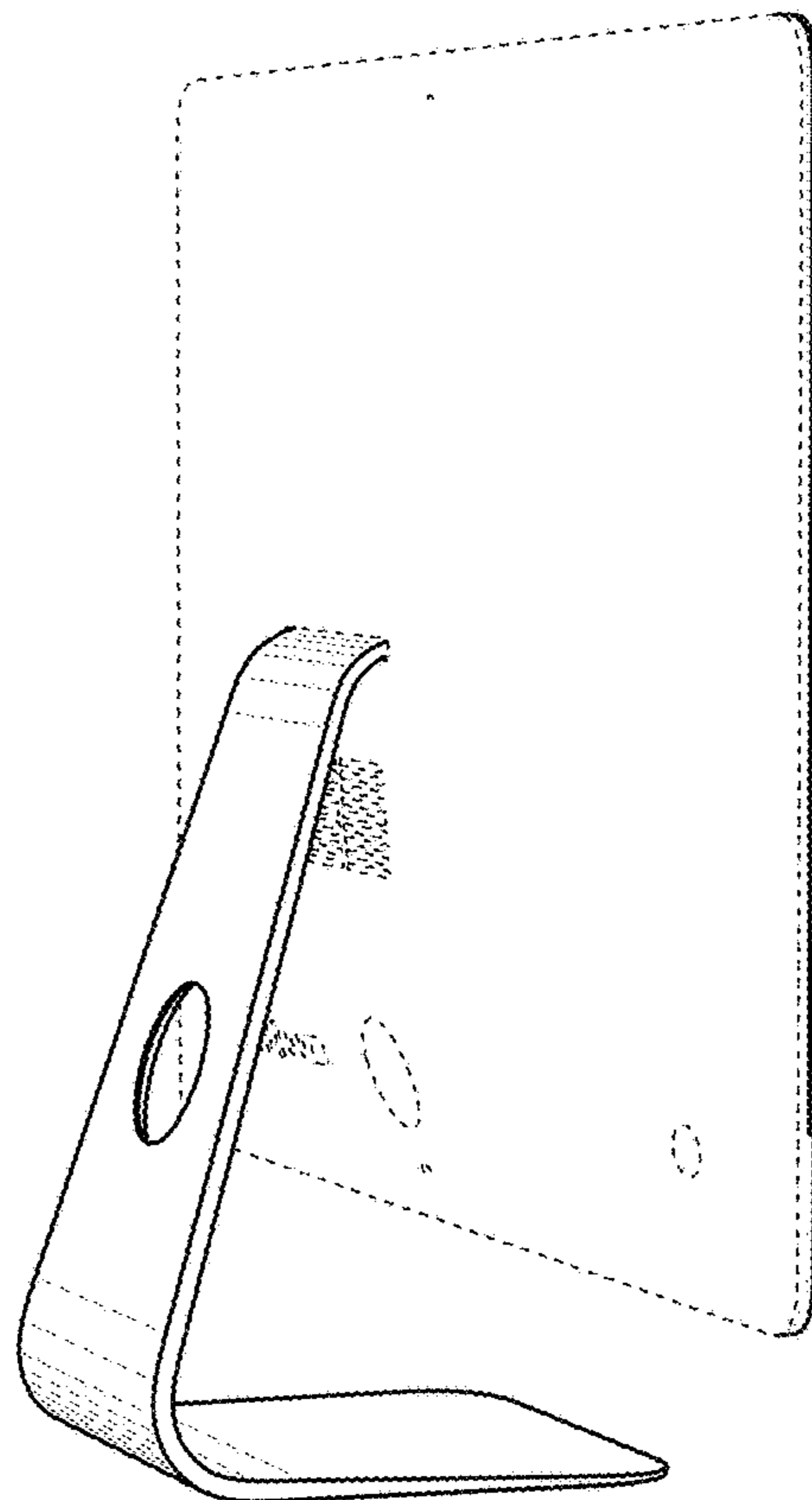
\* cited by examiner



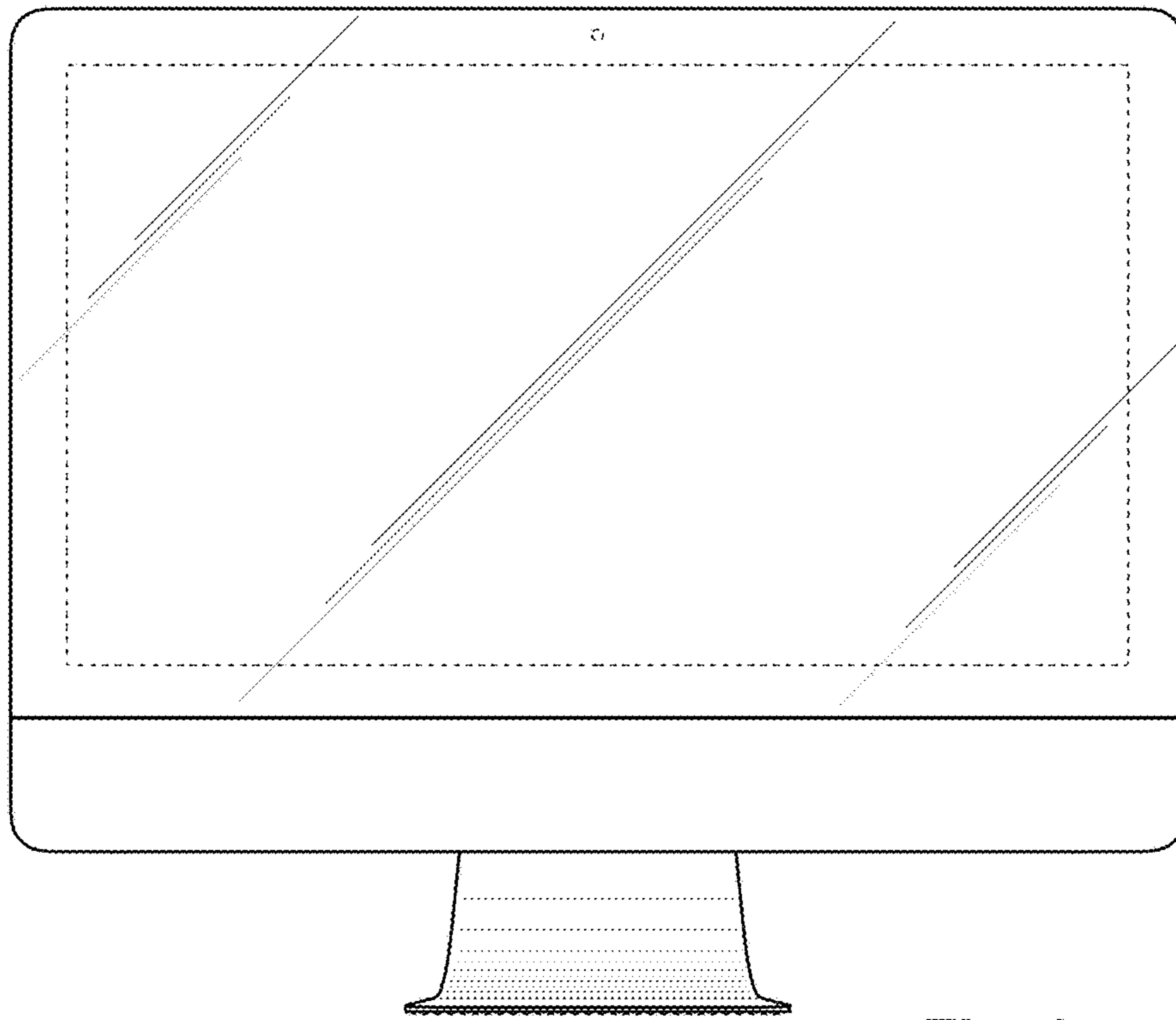
**Fig. 1**



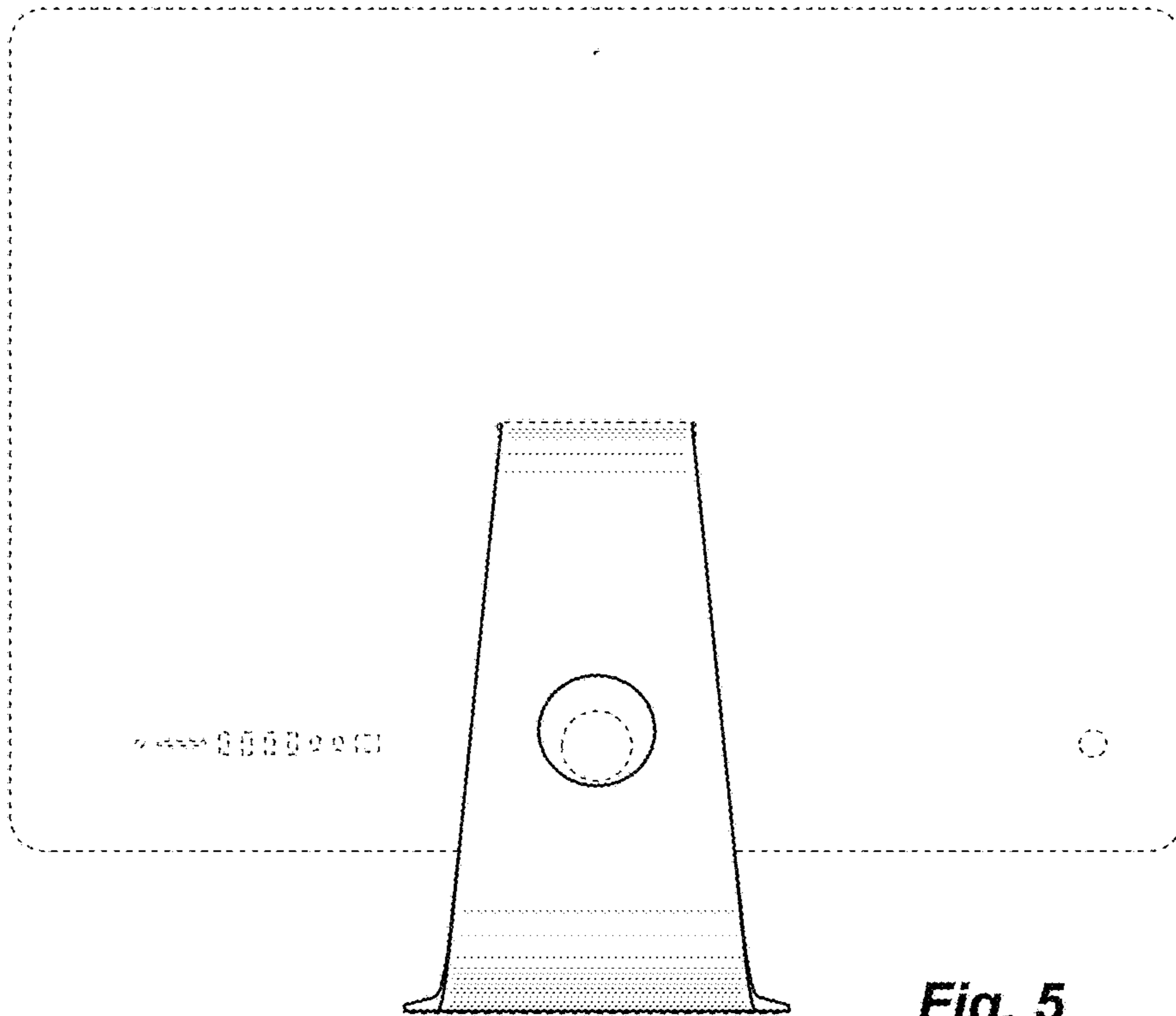
**Fig. 2**



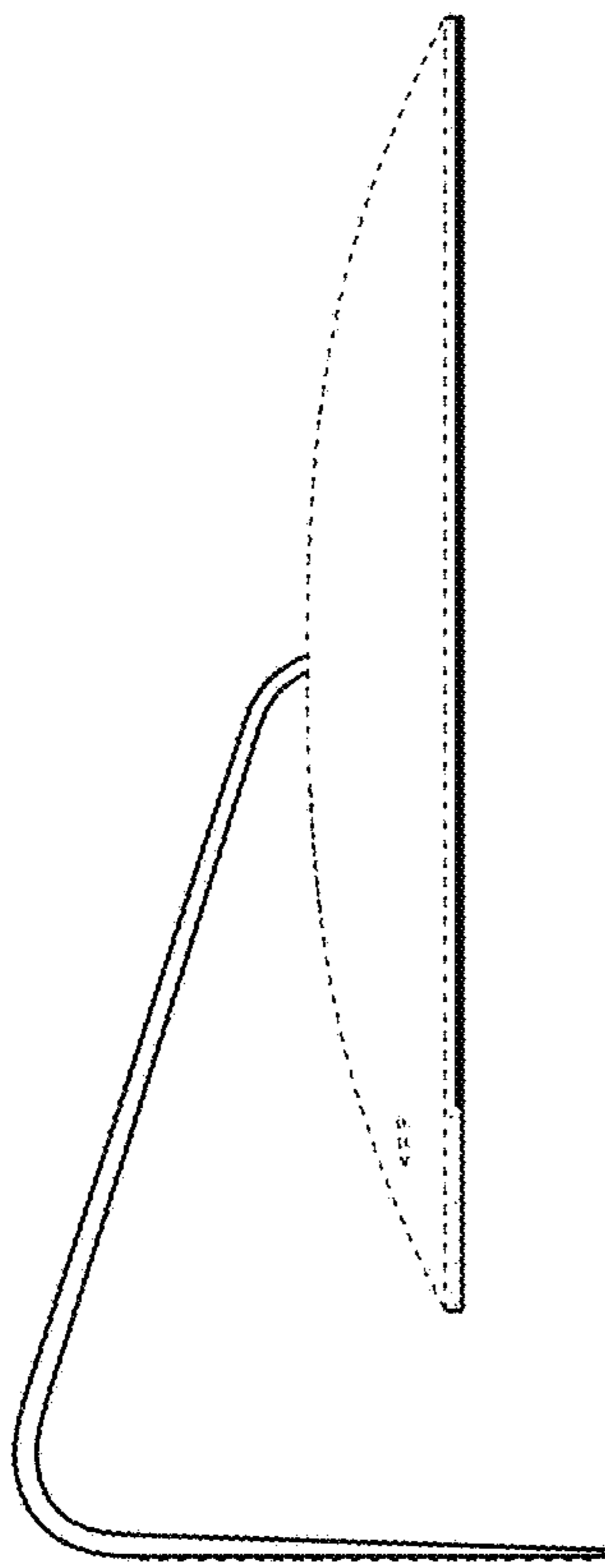
**Fig. 3**



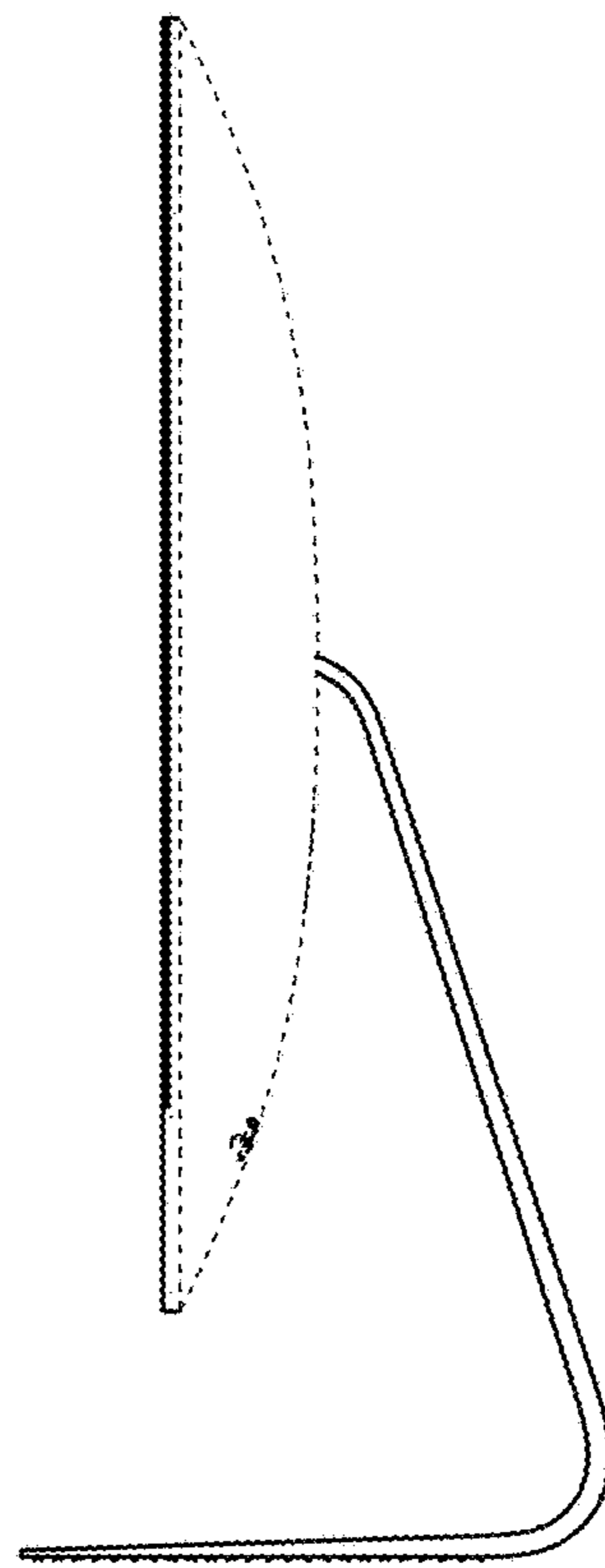
**Fig. 4**



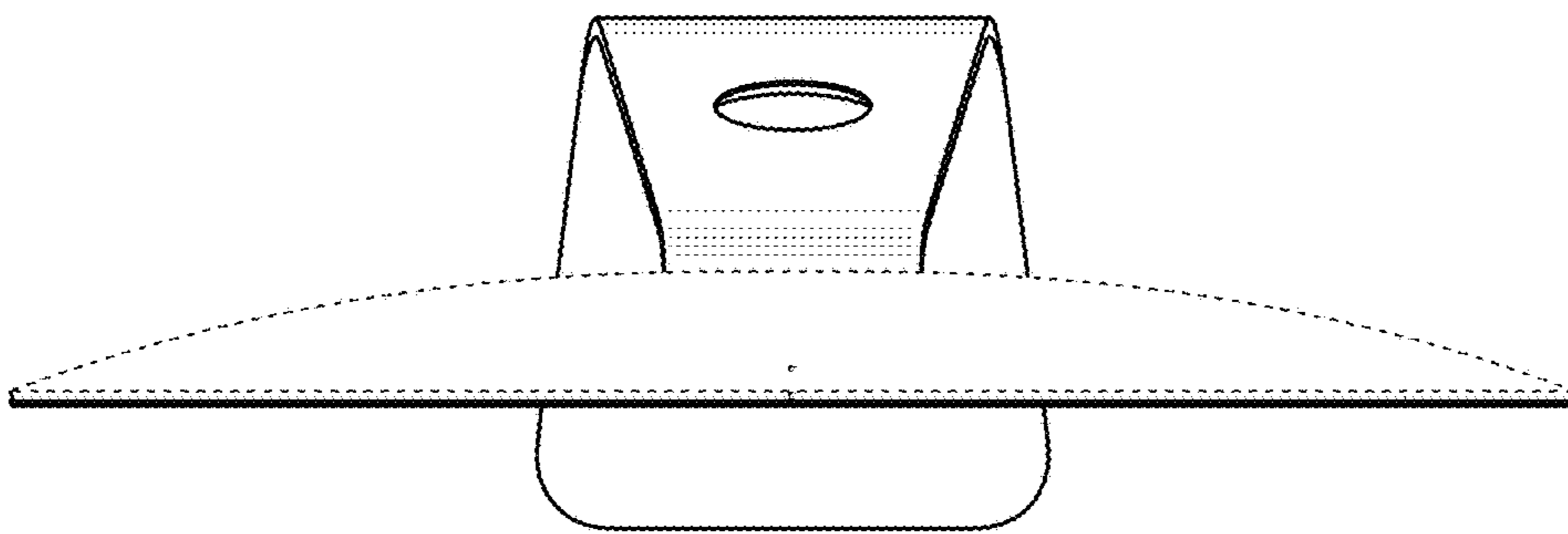
**Fig. 5**



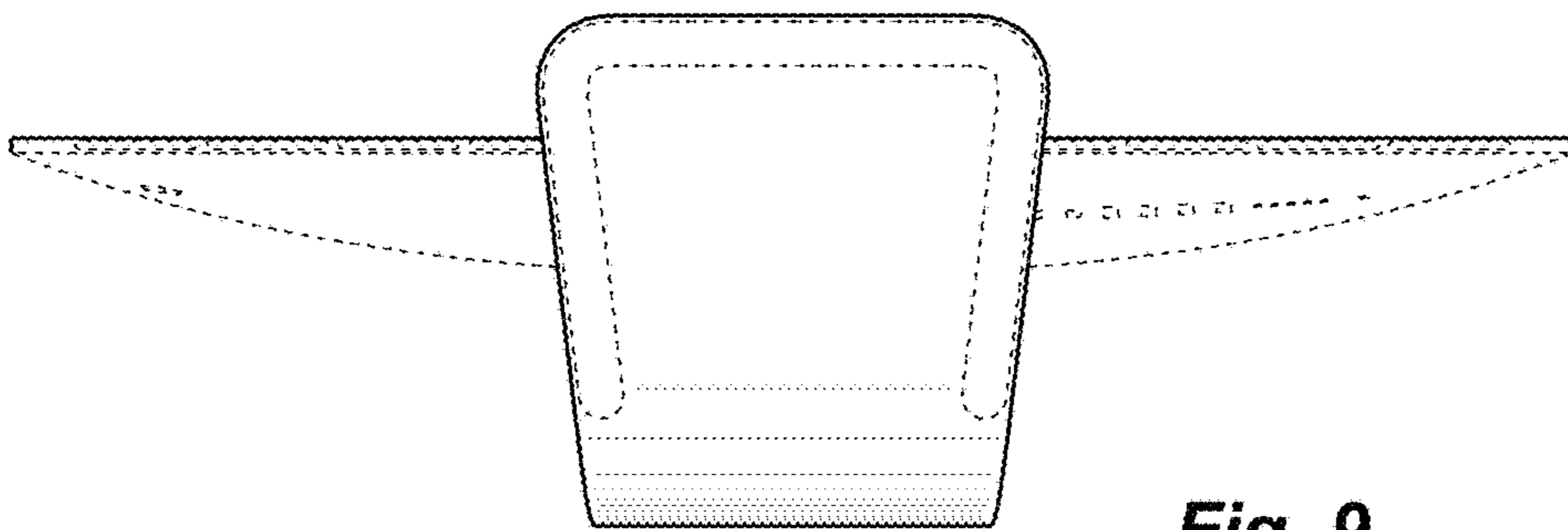
**Fig. 6**



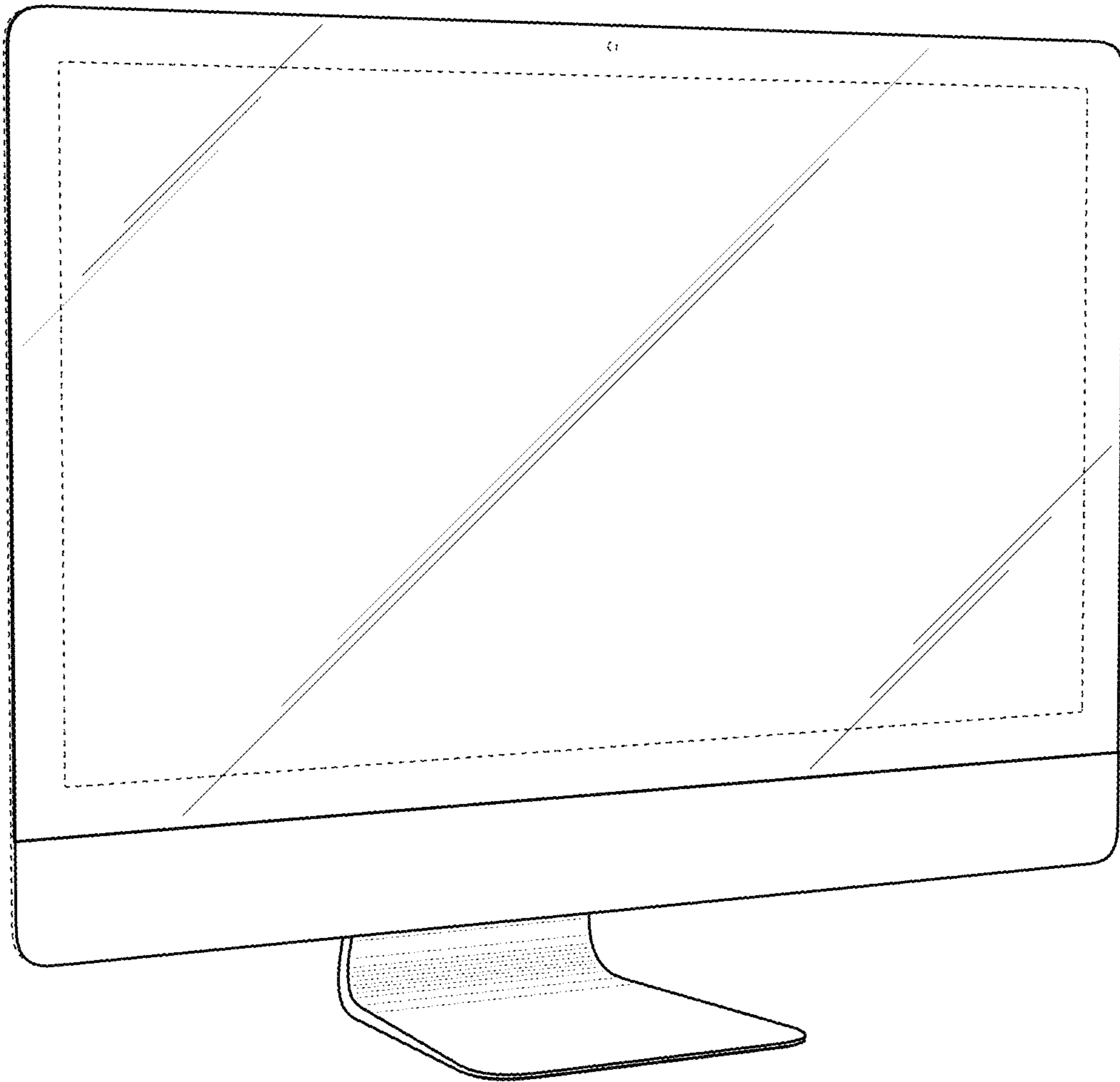
**Fig. 7**



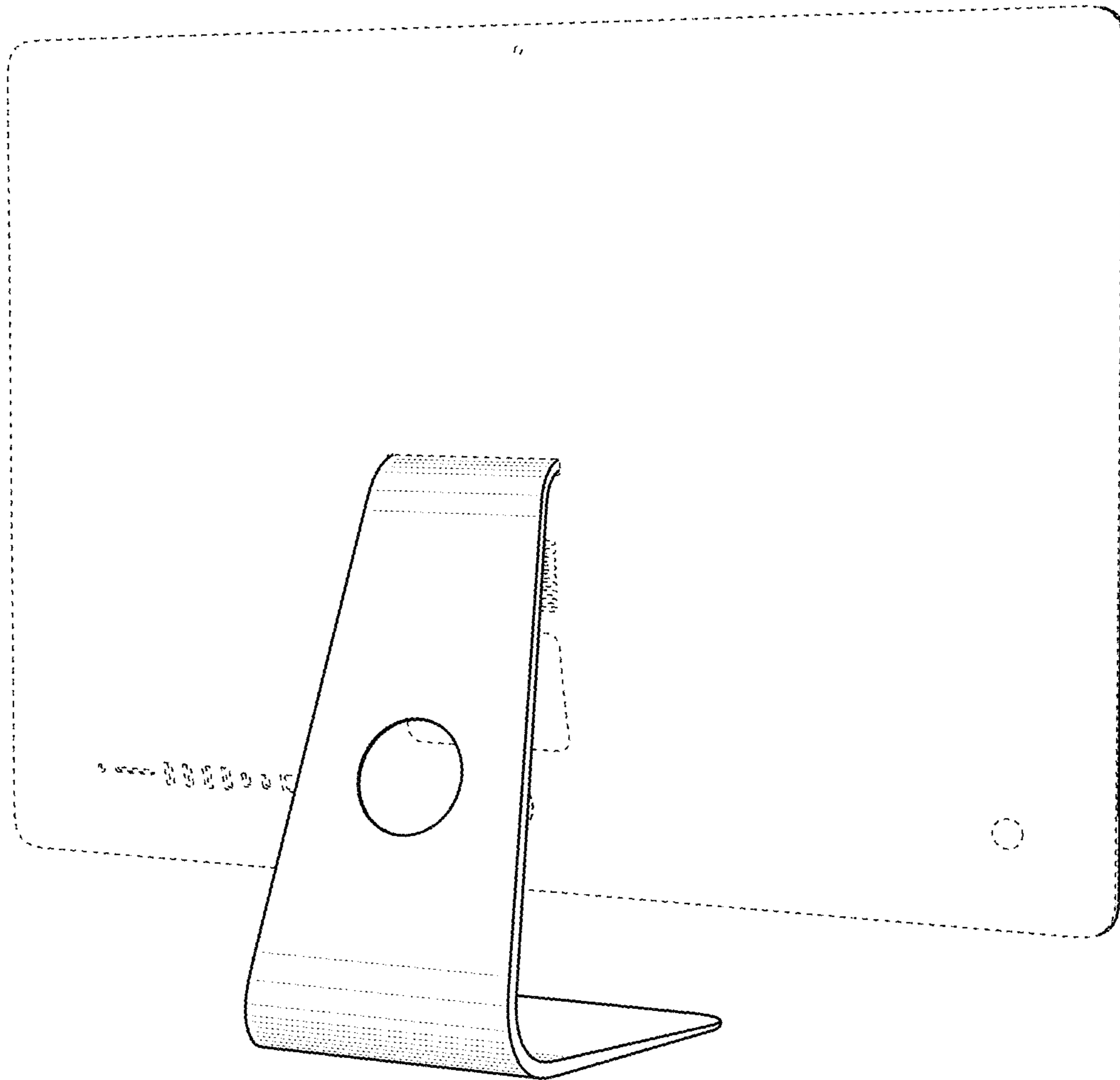
**Fig. 8**



**Fig. 9**

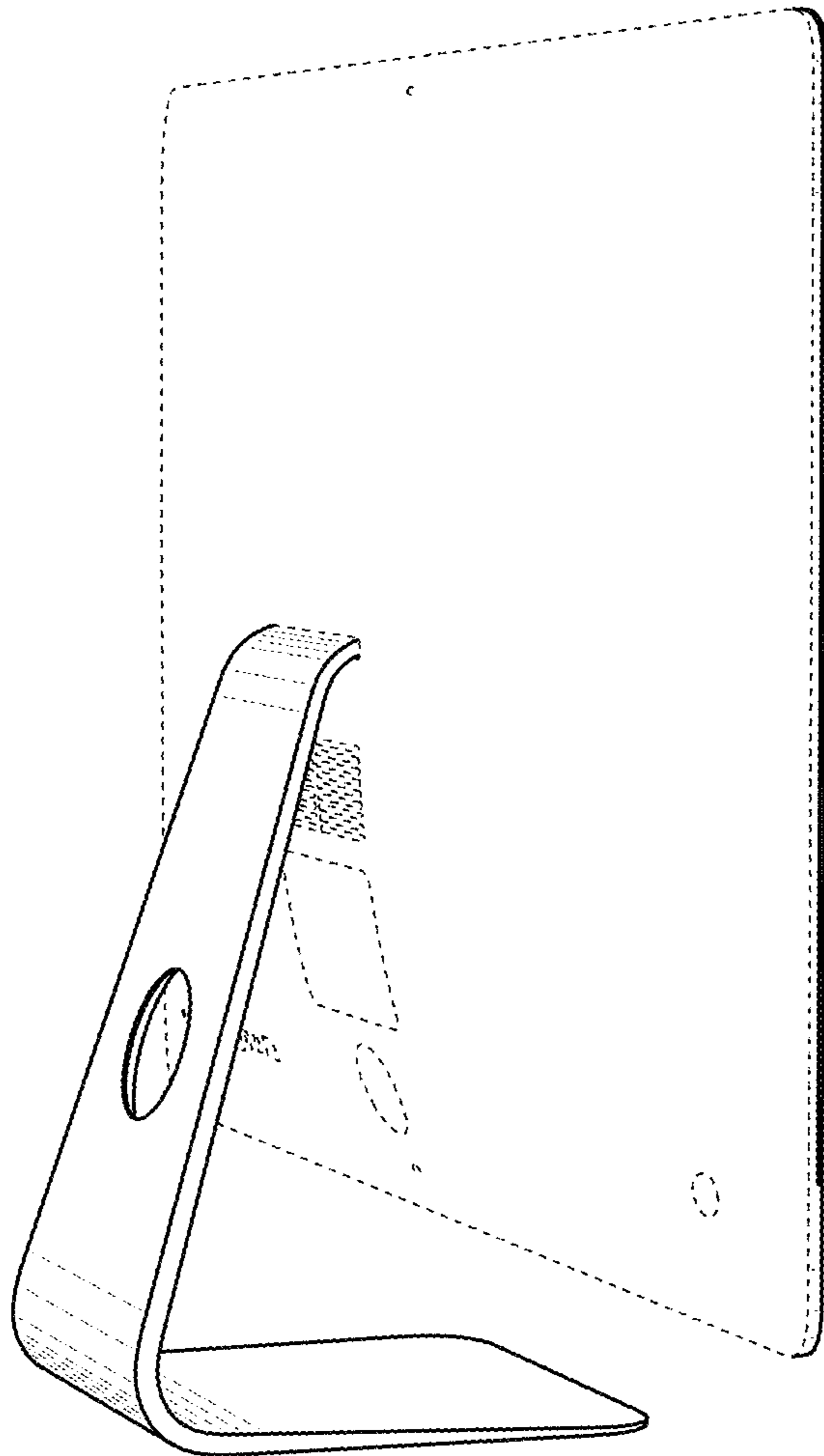


**Fig. 10**

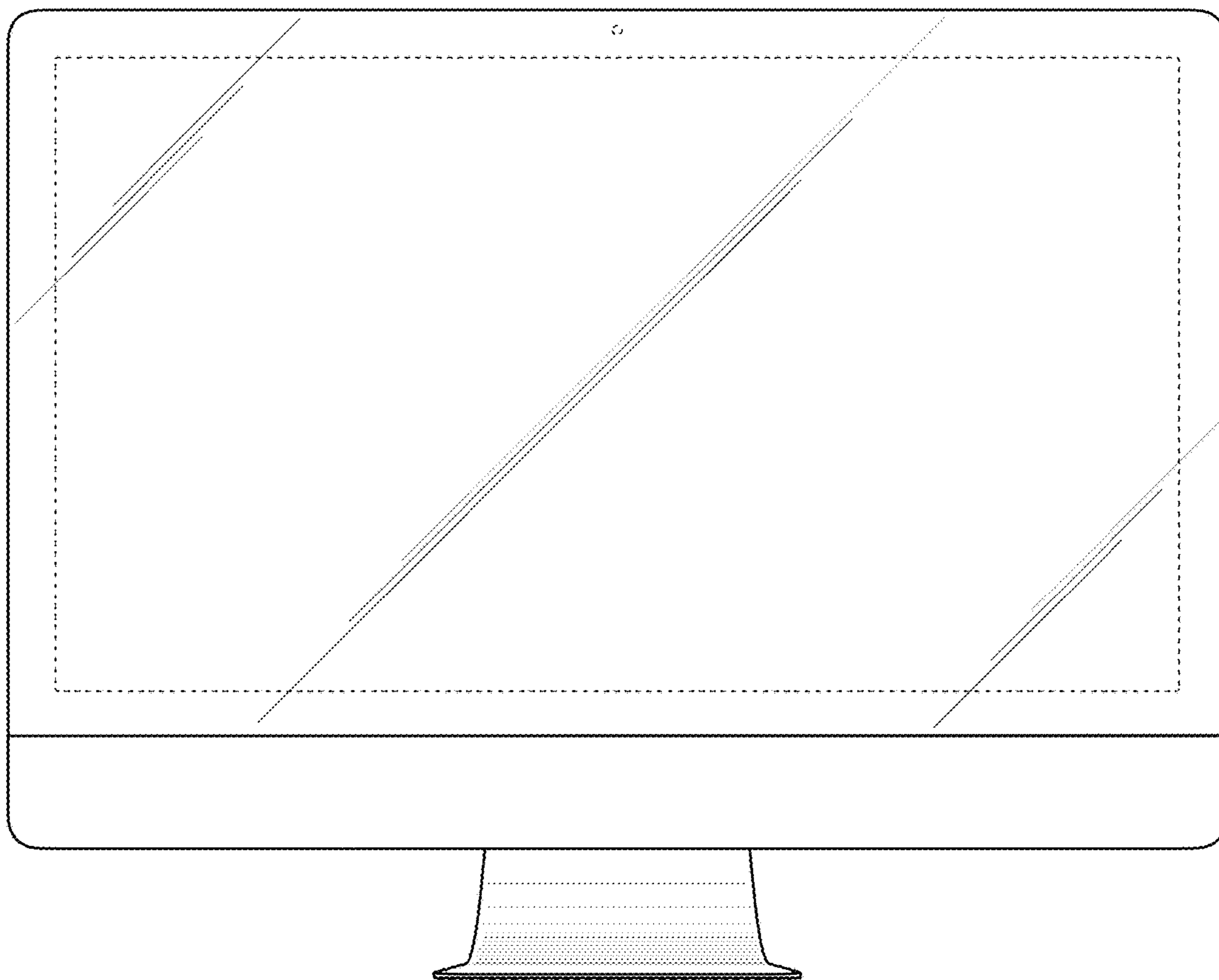


**Fig. 11**

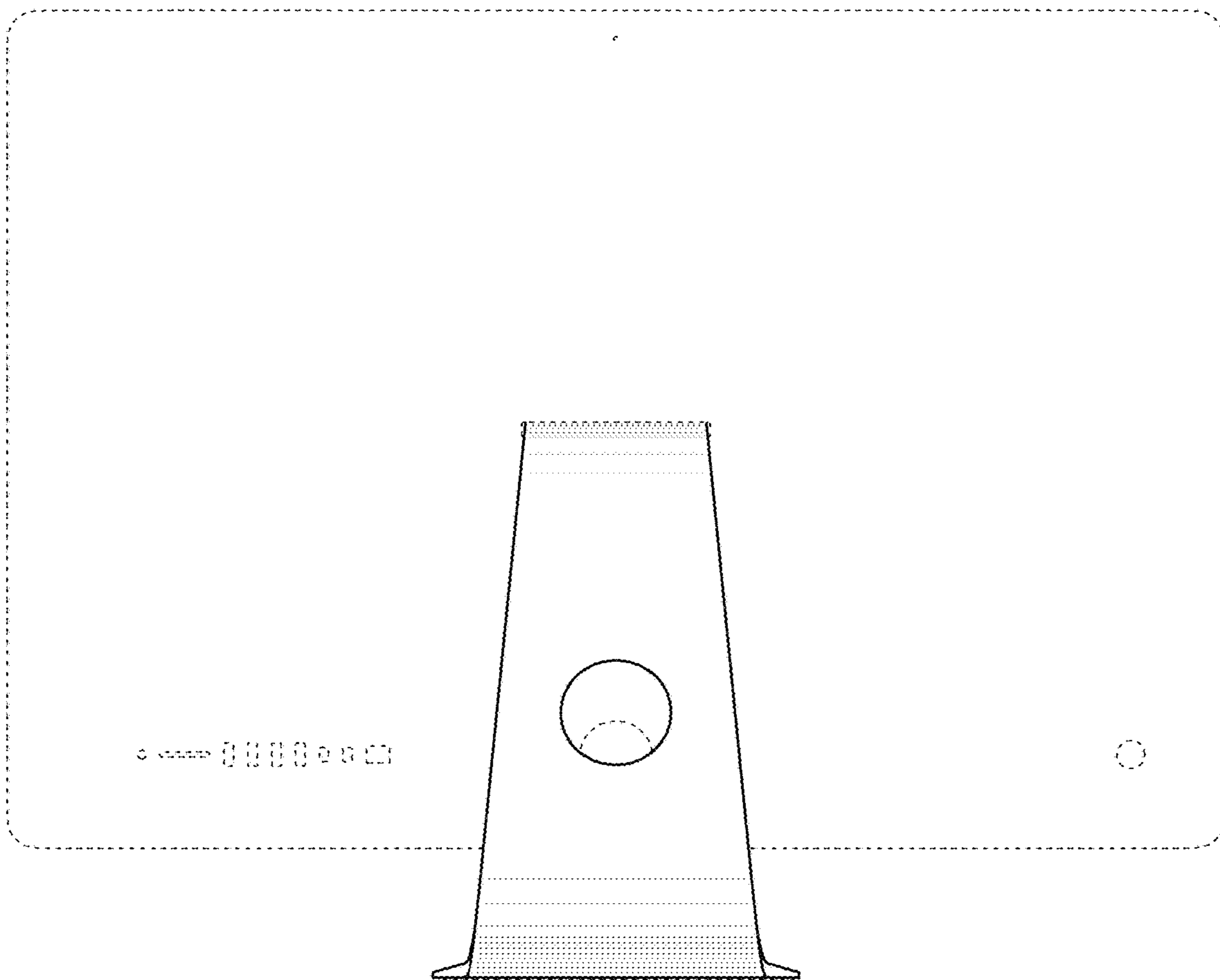




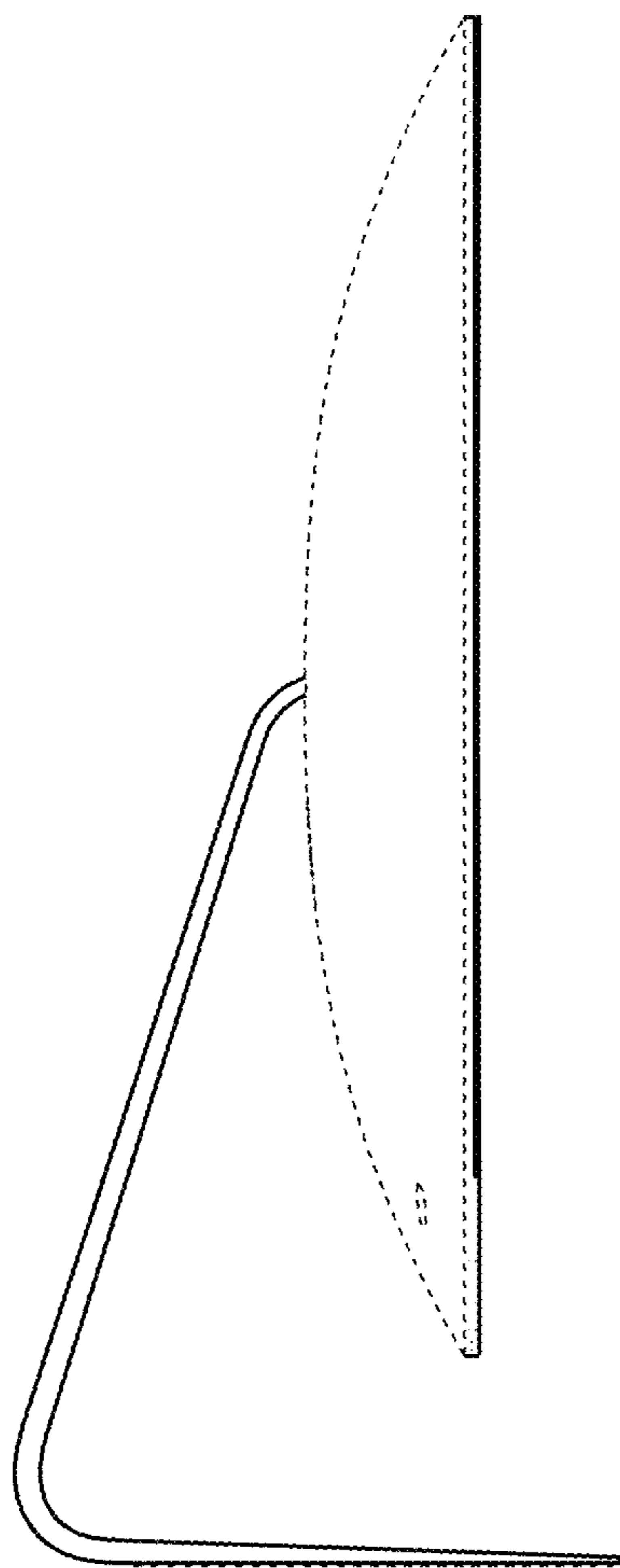
**Fig. 12**



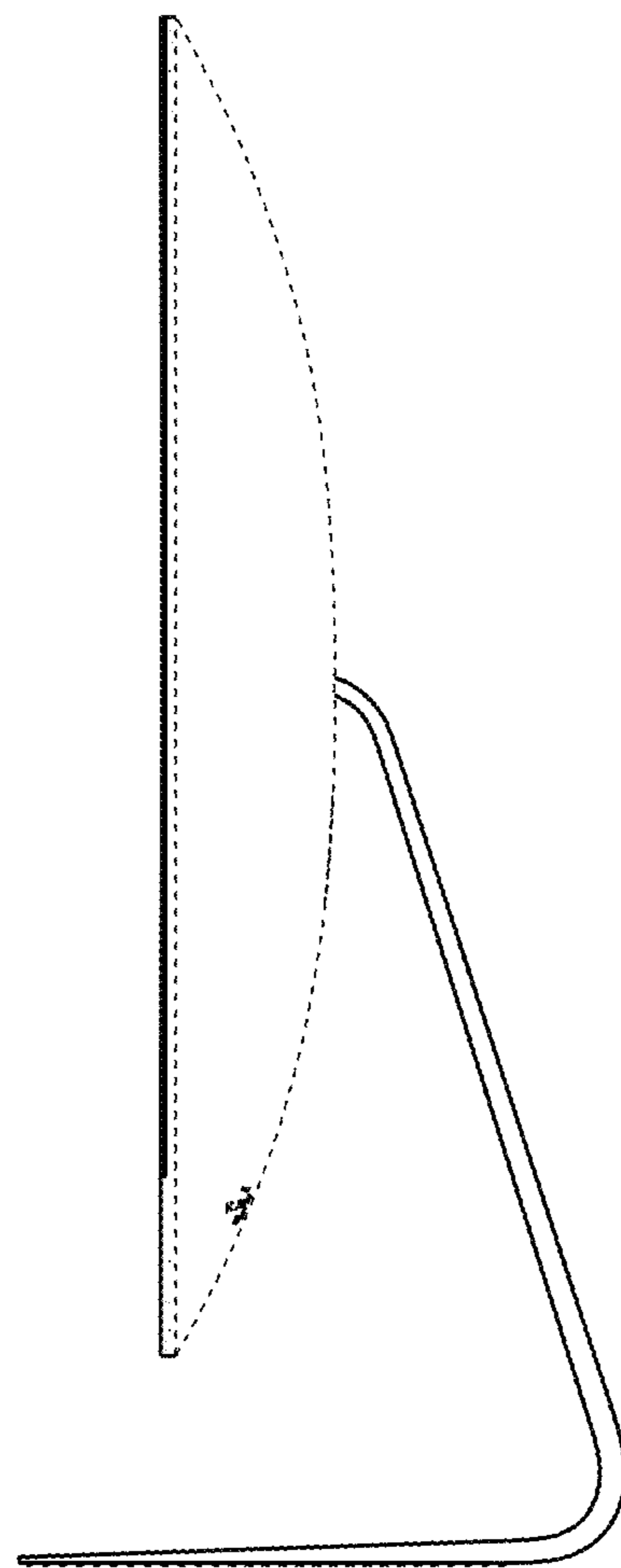
**Fig. 13**



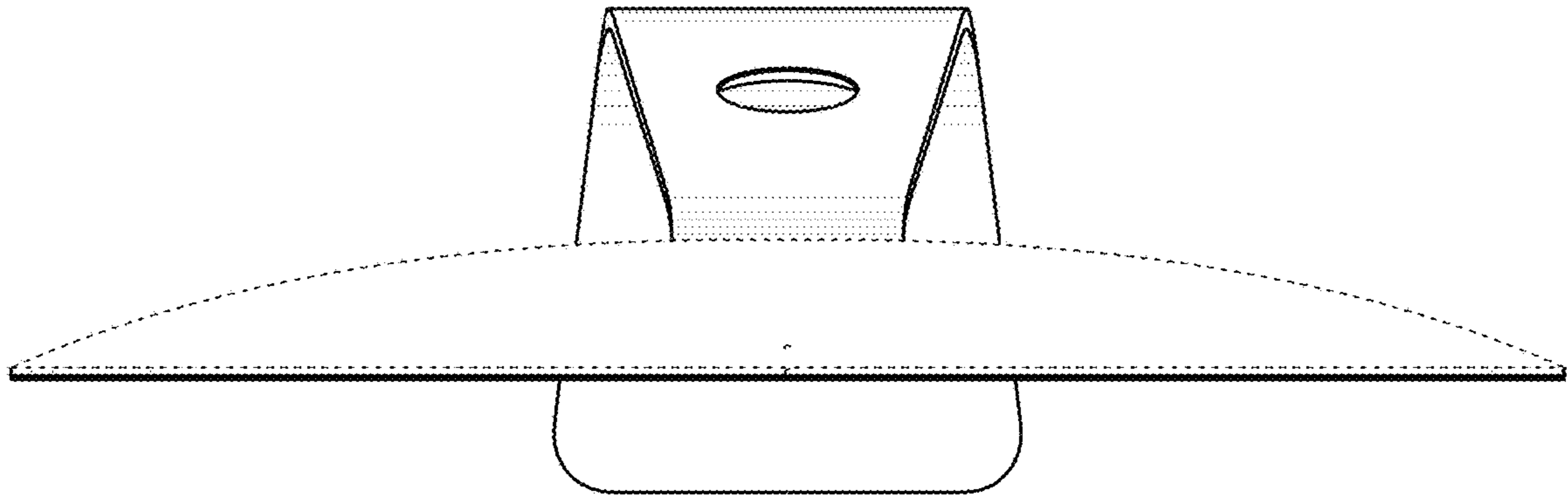
**Fig. 14**



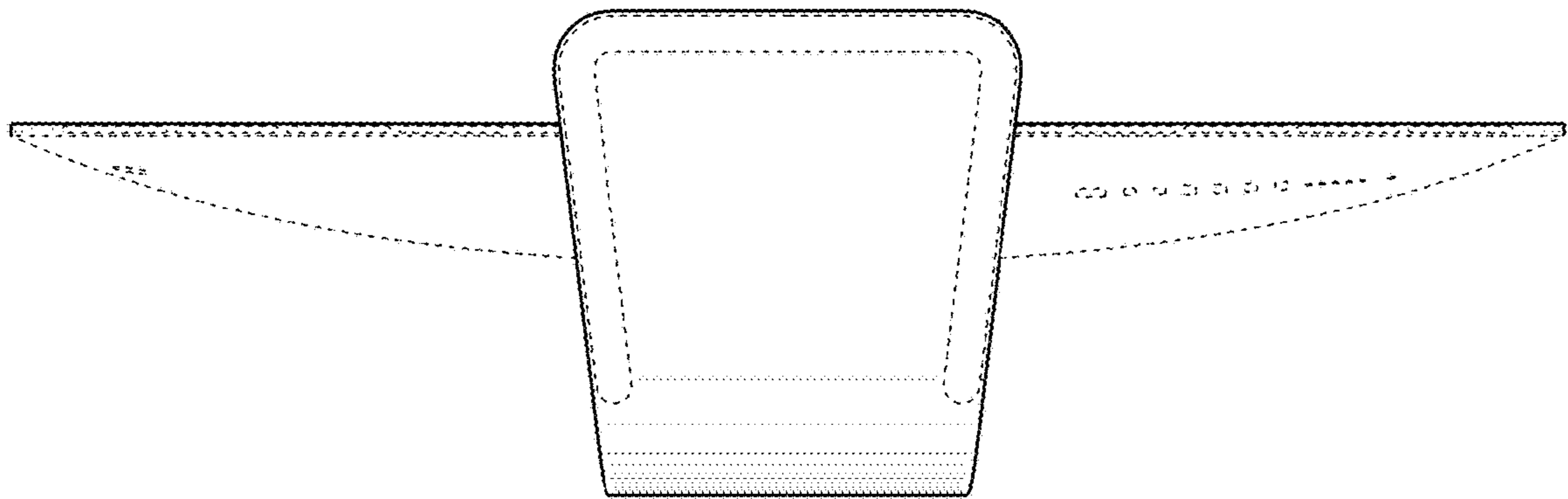
**Fig. 15**



**Fig. 16**



**Fig. 17**



**Fig. 18**