



US00D791761S

(12) **United States Design Patent** (10) **Patent No.:** **US D791,761 S**  
**Quilling, II** (45) **Date of Patent:** **\*\* Jul. 11, 2017**

(54) **AUTO STEREO MOUNTING DEVICE**

(71) Applicant: **R. Spencer Quilling, II**, DeLand, FL (US)

(72) Inventor: **R. Spencer Quilling, II**, DeLand, FL (US)

(73) Assignee: **Metra Electronics Corporation**, Holly Hill, FL (US)

(\*\*) Term: **15 Years**

(21) Appl. No.: **29/548,428**

(22) Filed: **Dec. 14, 2015**

(51) **LOC (10) Cl.** ..... **14-03**

(52) **U.S. Cl.**  
USPC ..... **D14/258**; D12/192

(58) **Field of Classification Search**  
USPC ..... D12/192, 195, 415, 420; D14/496, D14/498-506, 154, 157, 168-171, D14/188-198, 257-258; 248/27.1, 27.3, 248/558; 455/347, 350  
CPC ..... B60R 11/02; B60K 37/04; B60K 37/06; H04B 1/08; H04B 1/082  
See application file for complete search history.

(56) **References Cited**

**U.S. PATENT DOCUMENTS**

D294,140 S *	2/1988	Koch	.....	D12/192
D494,115 S *	8/2004	McPeck	.....	D12/192
D515,487 S *	2/2006	Tanaka	.....	D12/192
D608,264 S *	1/2010	Hwang	.....	D12/192

D642,104 S *	7/2011	Nagode	.....	D12/192
D705,143 S *	5/2014	Kawashima	.....	D12/192
D731,940 S *	6/2015	Okabe	.....	D12/192
D737,186 S *	8/2015	Nakao	.....	D12/192
D758,266 S *	6/2016	Ichikawa	.....	D12/192
D763,154 S *	8/2016	Chang	.....	D12/192
D763,155 S *	8/2016	Sahs	.....	D12/192
D770,348 S *	11/2016	Shimizu	.....	D12/192
D770,953 S *	11/2016	Tanaka	.....	D12/192
D771,541 S *	11/2016	Shouno	.....	D12/192
2016/0129871 A1 *	5/2016	Knauf	.....	B60K 35/00 280/730.1

\* cited by examiner

*Primary Examiner* — Sandra Morris

(74) *Attorney, Agent, or Firm* — J. Wiley Horton

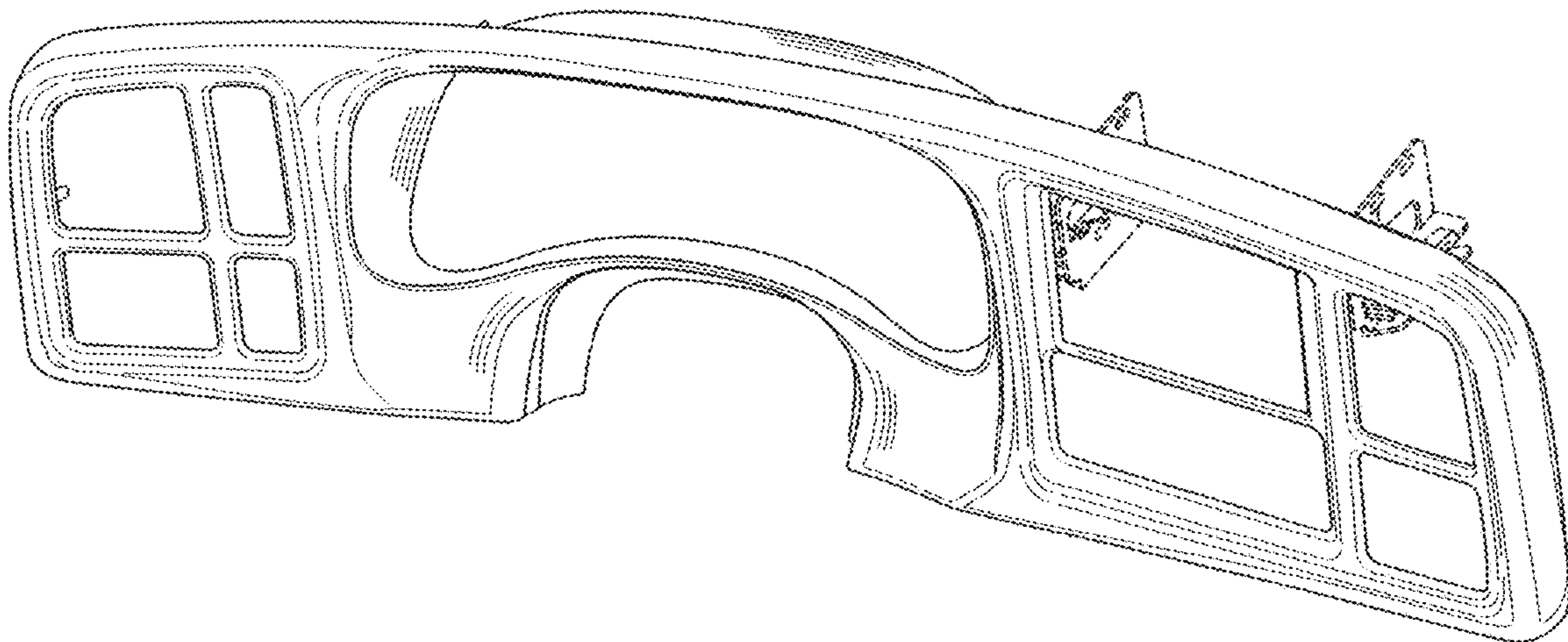
(57) **CLAIM**

The ornamental design for an “auto stereo mounting device,” as shown and described.

**DESCRIPTION**

FIG. 1 is a perspective view of an auto stereo mounting device, showing my design;  
FIG. 2 is a front elevation view of FIG. 1;  
FIG. 3 is a rear elevation view of FIG. 1;  
FIG. 4 is a right side elevation view of FIG. 1;  
FIG. 5 is a left side elevation view of FIG. 1;  
FIG. 6 is a top plan view of FIG. 1; and,  
FIG. 7 is a bottom plan view of FIG. 1.  
The broken lines shown in all views illustrate mounting features which form no part of the claimed design.

**1 Claim, 7 Drawing Sheets**



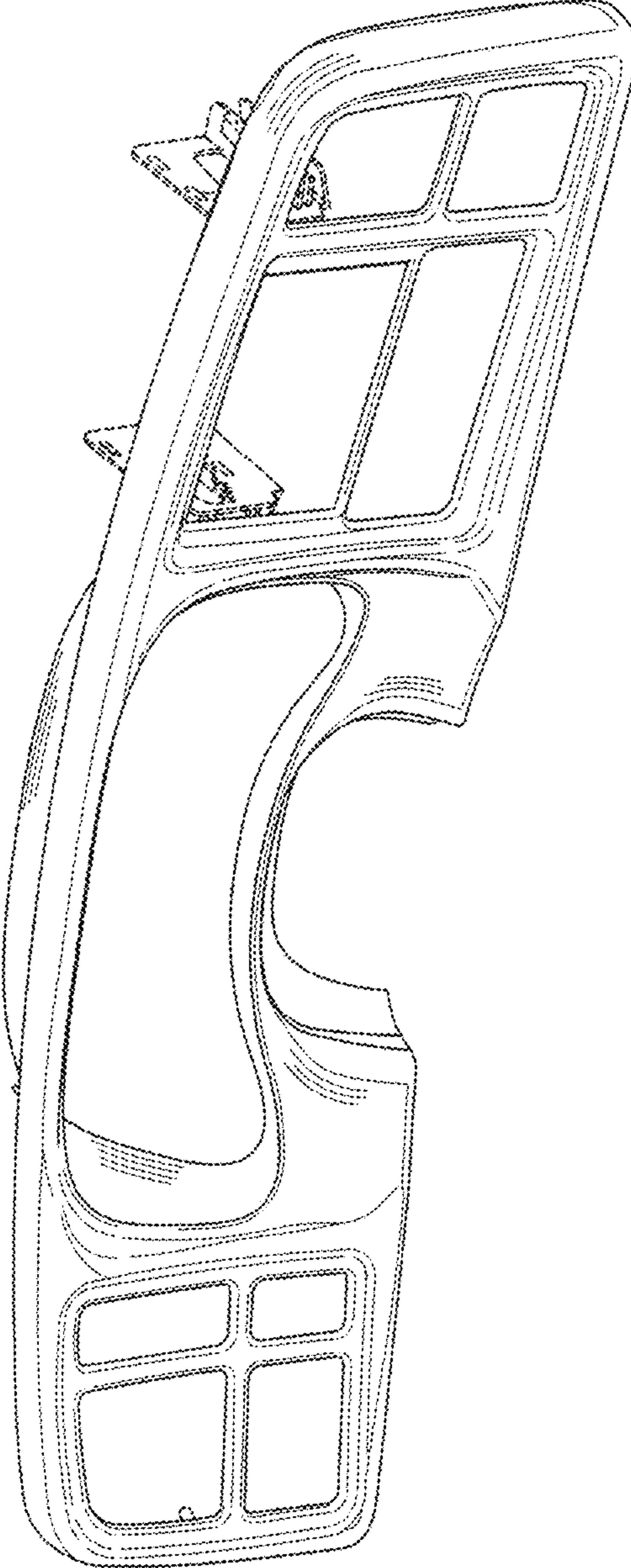


FIG. 1

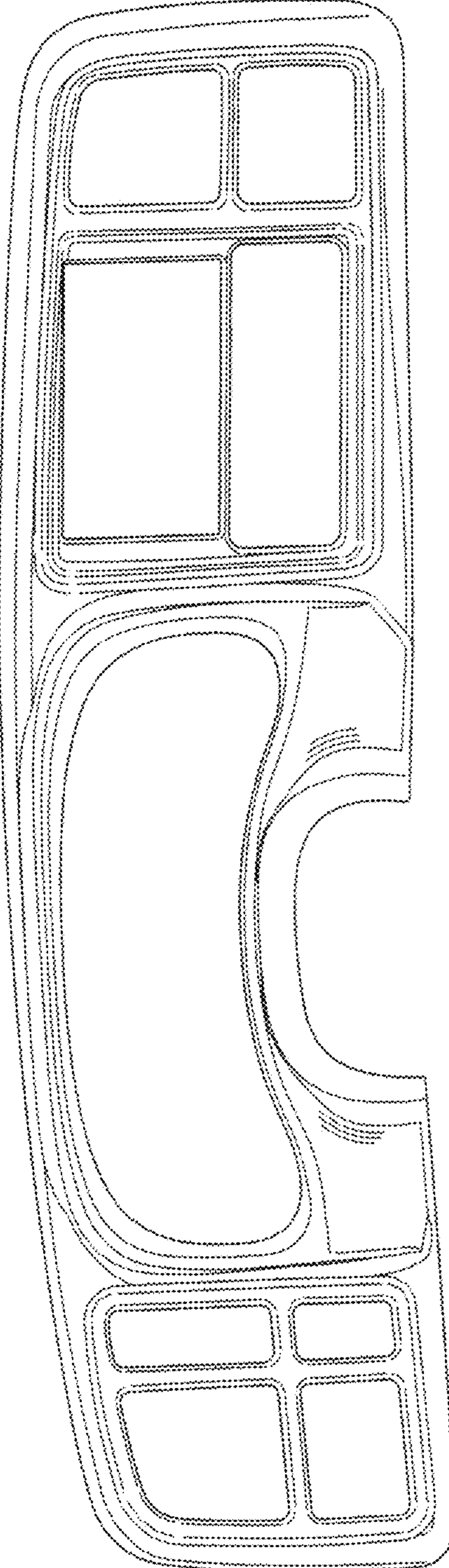


FIG. 2



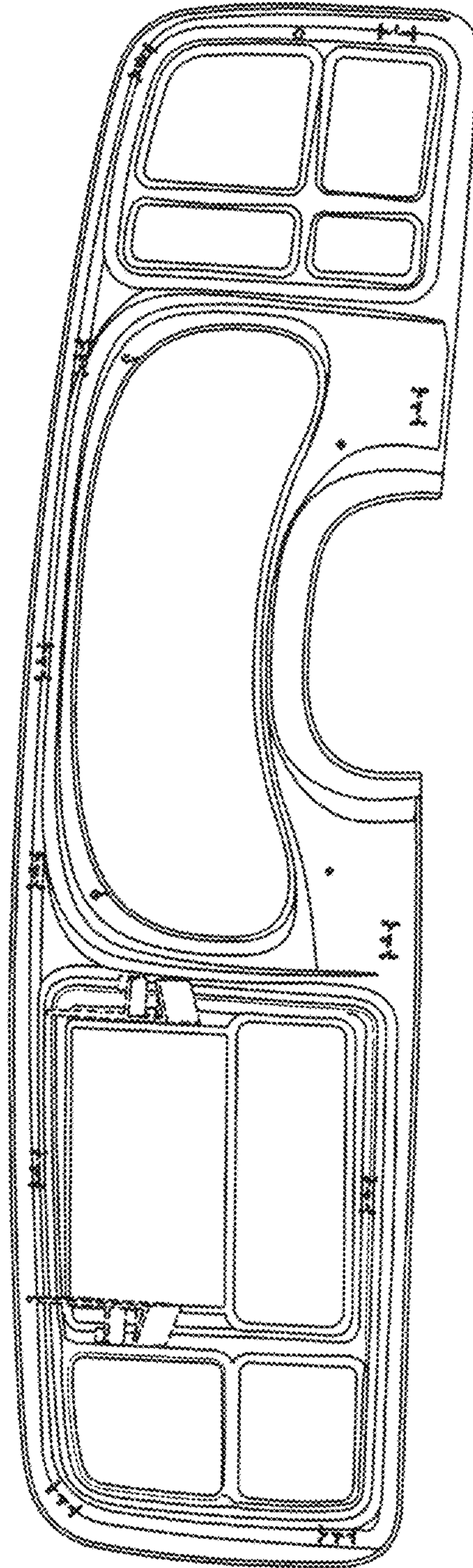


FIG. 3

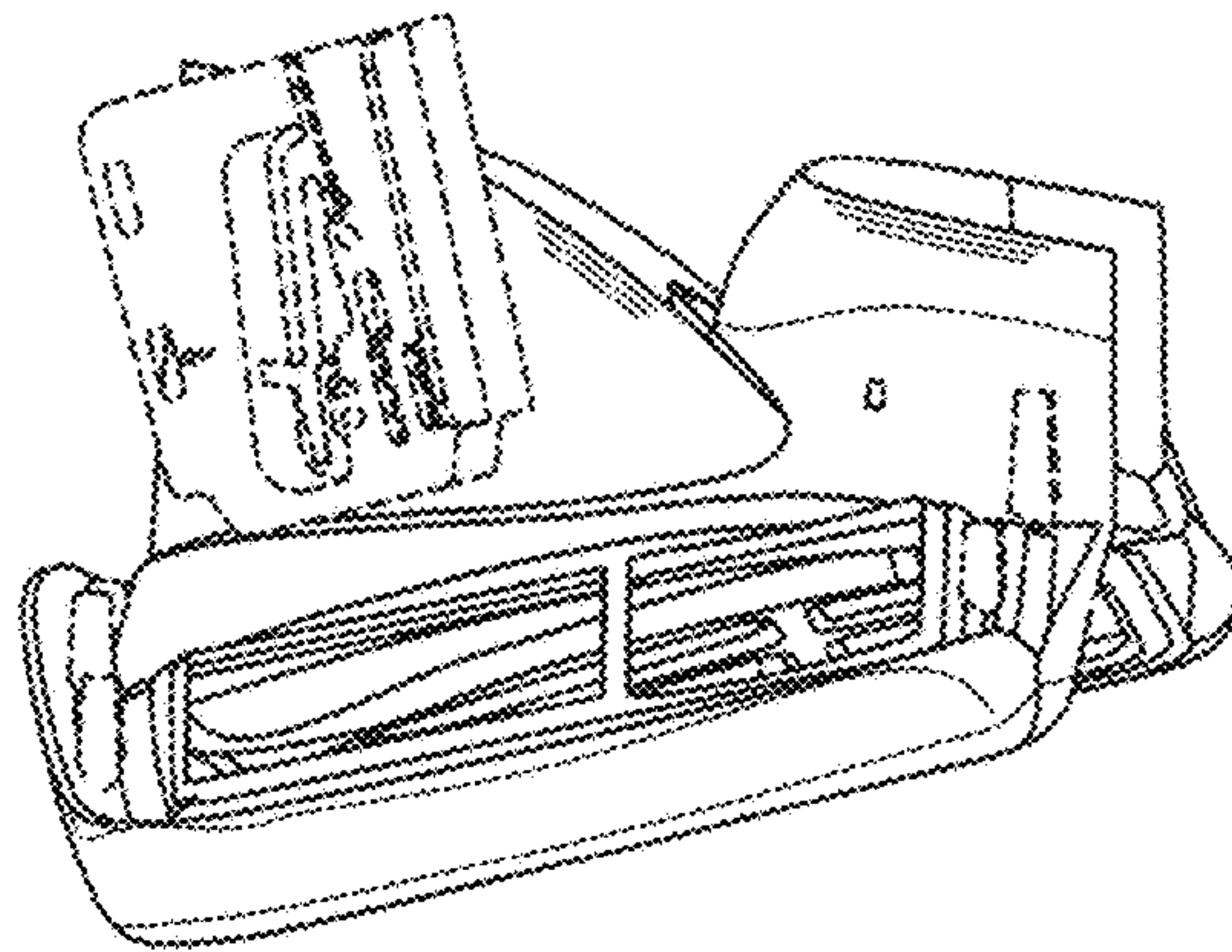


FIG. 4

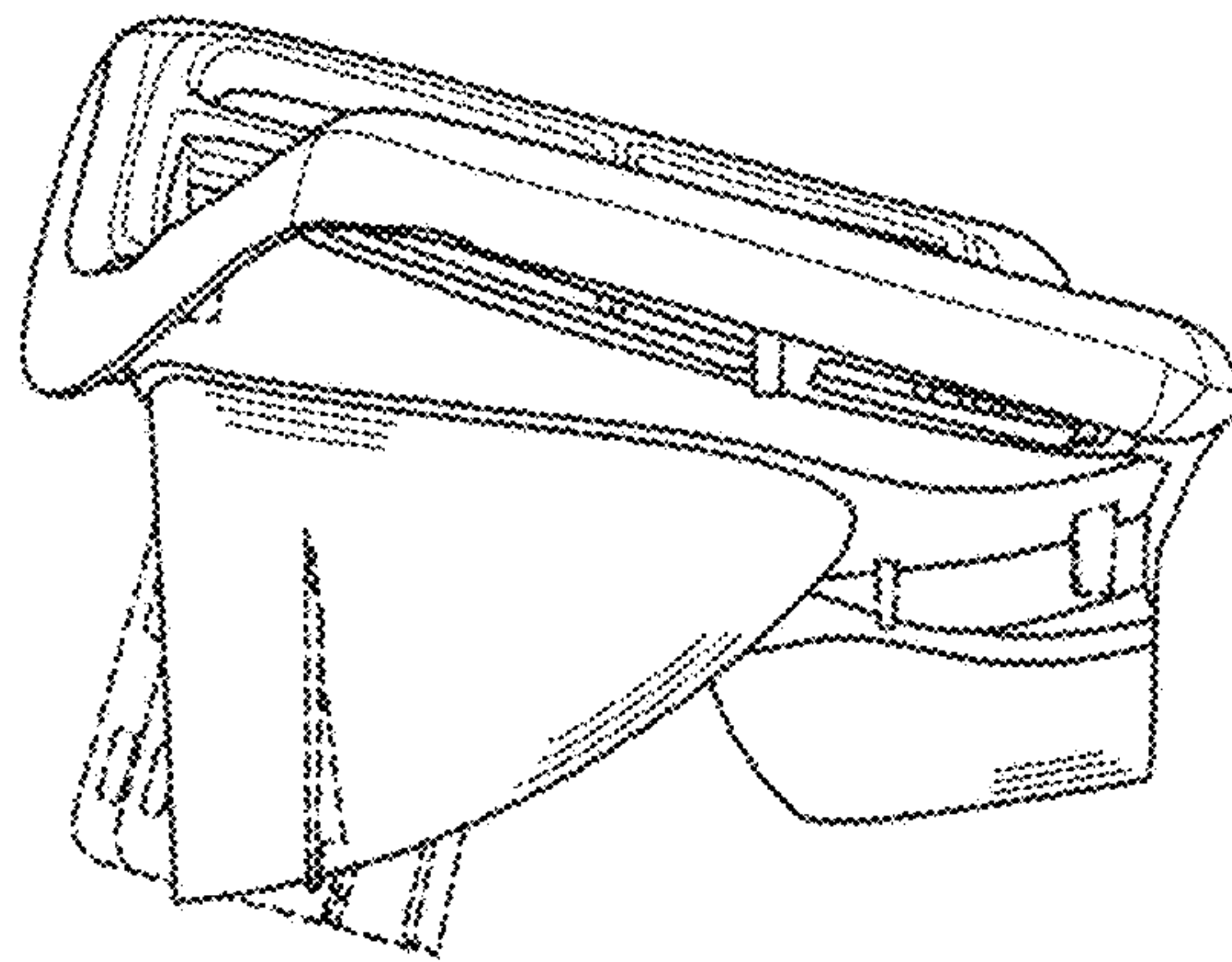


FIG. 5

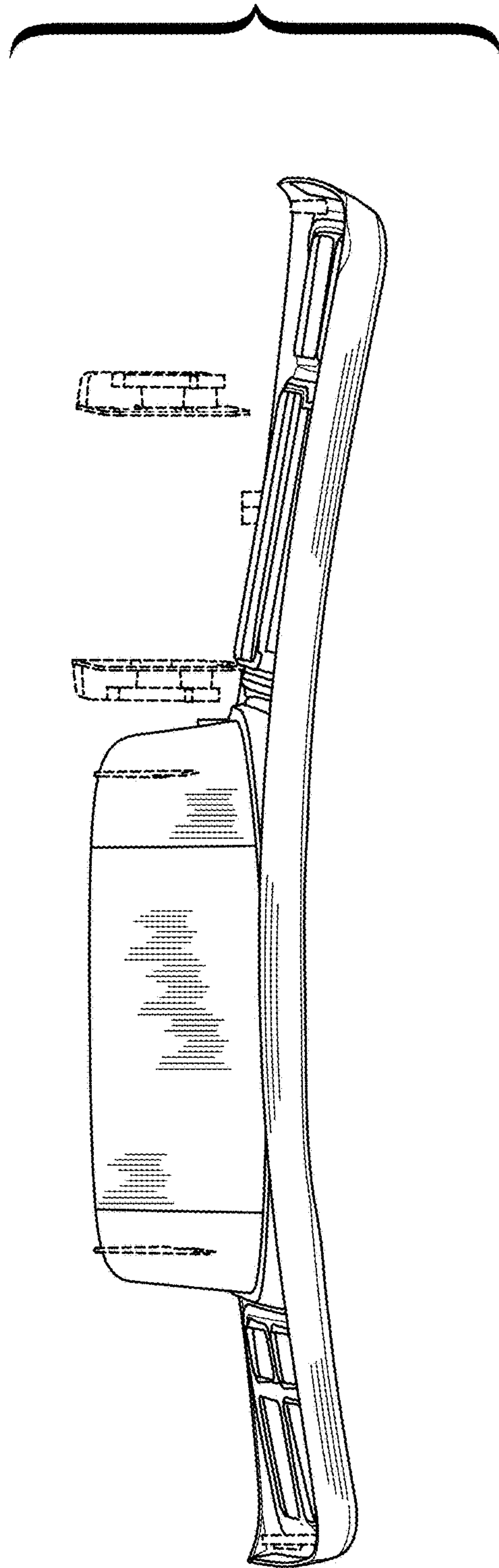


FIG. 6

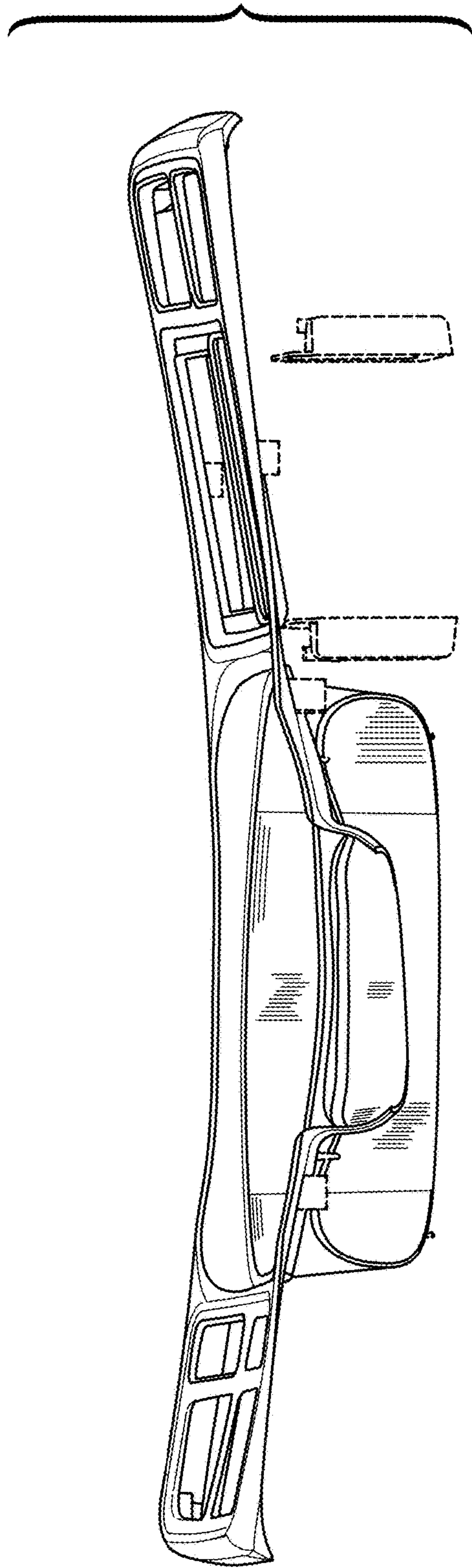


FIG. 7