



US00D791759S

(12) **United States Design Patent**
Lin

(10) **Patent No.:** **US D791,759 S**
(45) **Date of Patent:** **** *Jul. 11, 2017**

- (54) **MOBILE PHONE COVER**
- (71) Applicant: **WIN2000**, Dongguan (CN)
- (72) Inventor: **Jian Ping Lin**, Dongguan (CN)
- (73) Assignee: **WIN2000**, Dongguan, Guangdong Province (CN)
- (*) Notice: This patent is subject to a terminal disclaimer.
- (**) Term: **15 Years**
- (21) Appl. No.: **29/531,013**
- (22) Filed: **Jun. 22, 2015**
- (51) **LOC (10) Cl.** **14-03**
- (52) **U.S. Cl.**
USPC **D14/250**
- (58) **Field of Classification Search**
USPC D14/238.1, 440, 203.3-203.7, 217, 240,
D14/248, 251-253, 447, 496, 250;
D3/201, 218, 247, 269, 273, 301, 303;
D13/103, 107-108, 119
CPC H04B 1/3888; H04M 1/0283; H04M
1/0202; A45C 1/06; A45C 11/00; A45C
13/02; A45C 2011/002; A45F 2005/026;
A45F 2200/0525; A45F 2200/0516
See application file for complete search history.

(56) **References Cited**

U.S. PATENT DOCUMENTS

D640,679 S *	6/2011	Willes	D14/250
D641,974 S *	7/2011	Stampfli	D3/218
D644,428 S *	9/2011	Feng	D3/218
D661,482 S *	6/2012	Chang	D3/218
D683,955 S *	6/2013	Melanson	D3/218
D698,773 S *	2/2014	Wildner	D14/250
D709,486 S *	7/2014	Lin	D14/250
D717,779 S *	11/2014	Dong	D14/250

D718,290 S *	11/2014	Whitten	D14/250
D718,296 S *	11/2014	Namminga	D14/253
8,931,745 B2 *	1/2015	Ng	H04M 1/04 248/206.5
D724,069 S *	3/2015	Kyum	D14/250
D726,170 S *	4/2015	Ng	D14/250
D733,154 S *	6/2015	Armstrong	D14/440
9,072,353 B2 *	7/2015	Fathollahi	A45C 13/002
9,288,295 B2 *	3/2016	Ivanovski	H04B 1/3816
D755,764 S *	5/2016	Dong	D14/250
2010/0072334 A1 *	3/2010	Le Gette	F16M 11/041 248/176.3
2013/0299533 A1 *	11/2013	Gronewoller	A45F 5/021 224/191
2014/0116895 A1 *	5/2014	Ellenburg	H04B 1/3888 206/37
2014/0364176 A1 *	12/2014	Pintor	H04B 1/385 455/575.6
2015/0068934 A1 *	3/2015	Armstrong	A45C 11/00 206/320

(Continued)

Primary Examiner — Carla Jobe Wright

(74) *Attorney, Agent, or Firm* — WHGC, P.L.C.; John O'Rourke

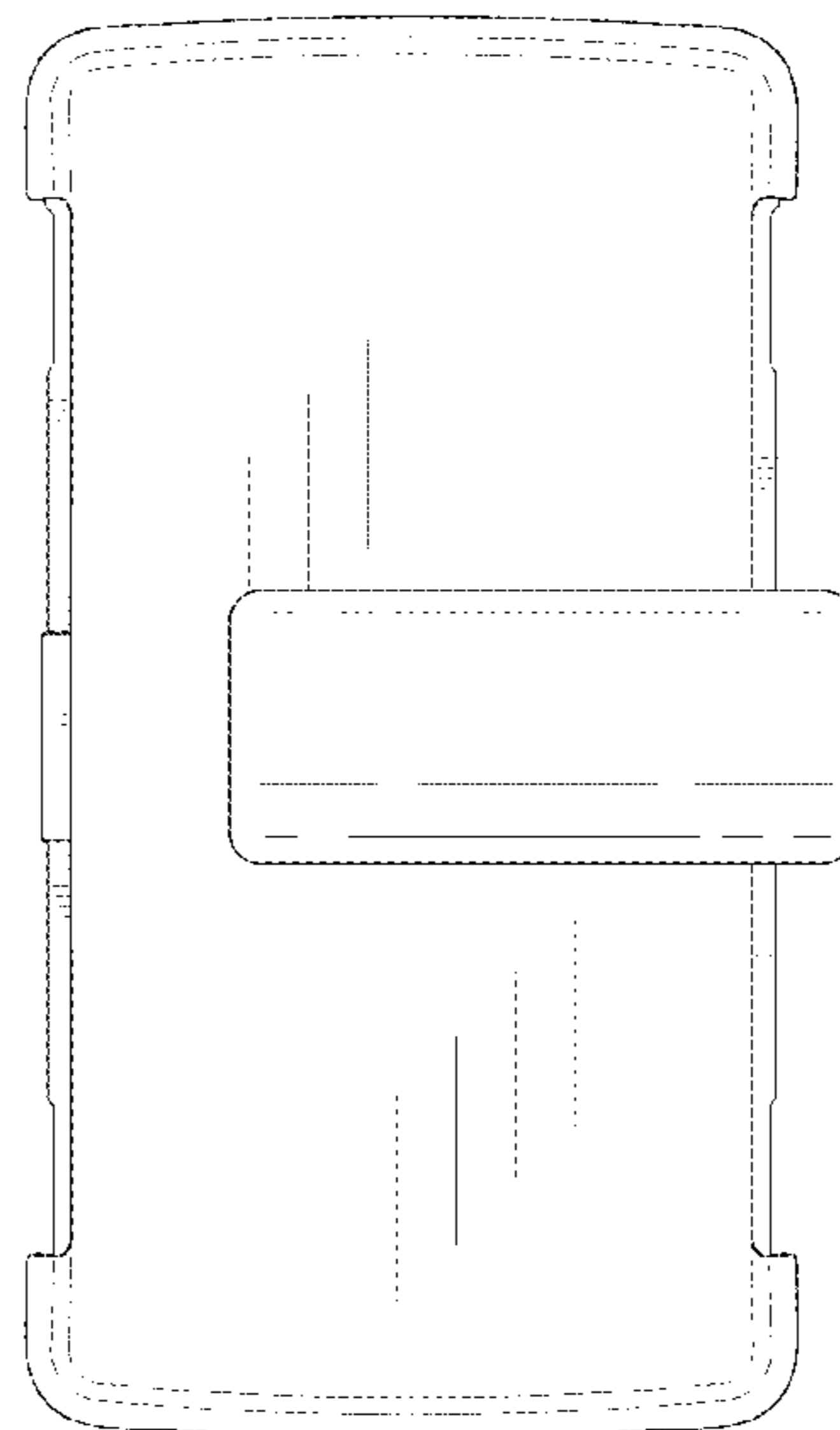
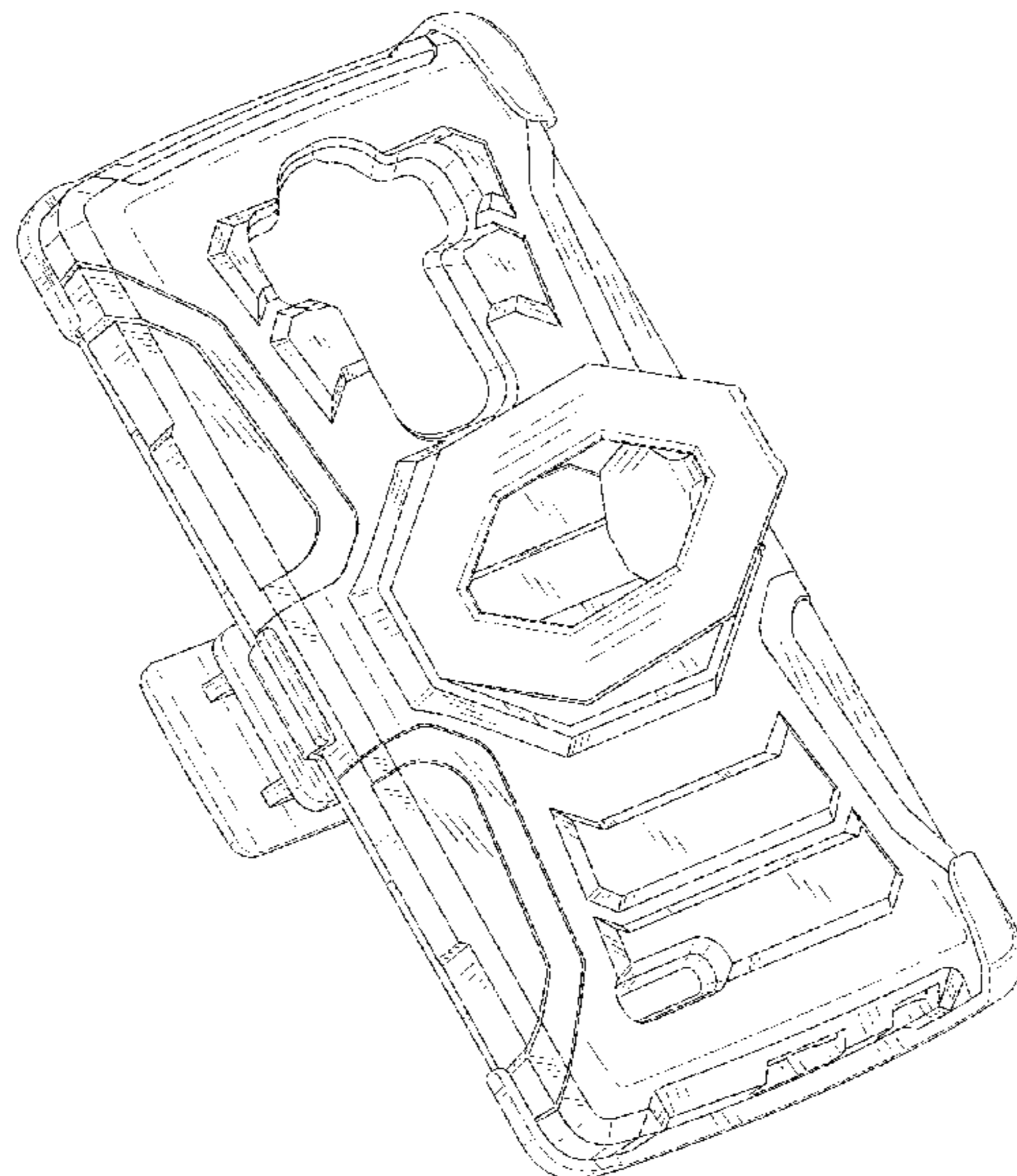
(57) **CLAIM**

I claim the ornamental design for a mobile phone cover, as shown and described.

DESCRIPTION

FIG. 1 is a front perspective view of the mobile phone cover showing the new design in an open configuration;
 FIG. 2 is a rear perspective view thereof;
 FIG. 3 is a front view thereof;
 FIG. 4 is a rear view thereof;
 FIG. 5 is a left-side view thereof;
 FIG. 6 is a right-side view thereof;
 FIG. 7 is a bottom view thereof;
 FIG. 8 is a top view thereof; and,
 FIG. 9 is a front perspective of the mobile phone cover showing the new design in an closed configuration.

1 Claim, 7 Drawing Sheets



(56)

References Cited

U.S. PATENT DOCUMENTS

2015/0265035 A1* 9/2015 Richardson A45C 11/00
224/247
2016/0036479 A1* 2/2016 Lin H04M 1/04
455/575.8
2016/0049983 A1* 2/2016 Ripka H04B 1/3888
455/575.6
2016/0073749 A1* 3/2016 Lach A45C 11/00
206/45.2

* cited by examiner

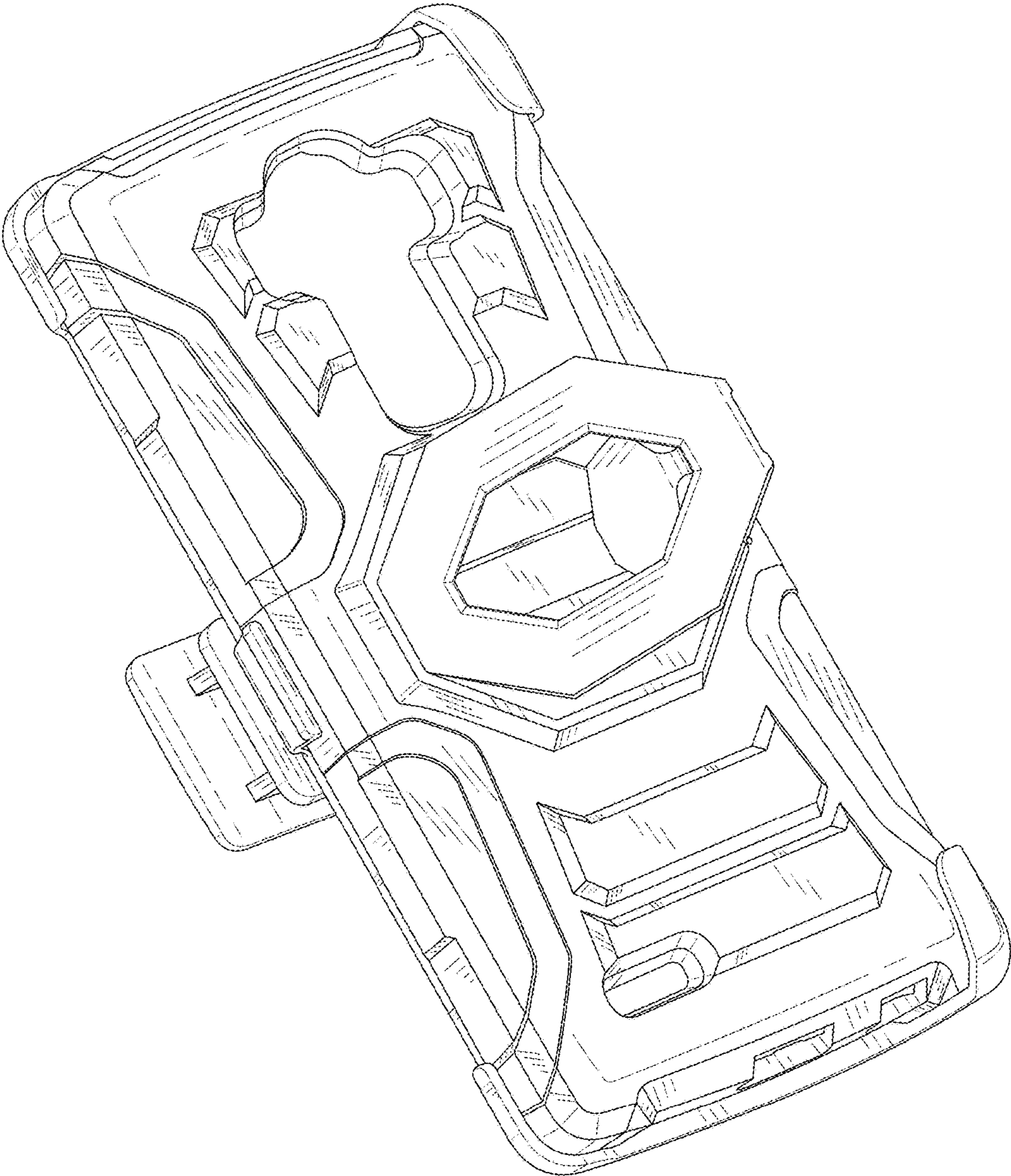


FIG. 1

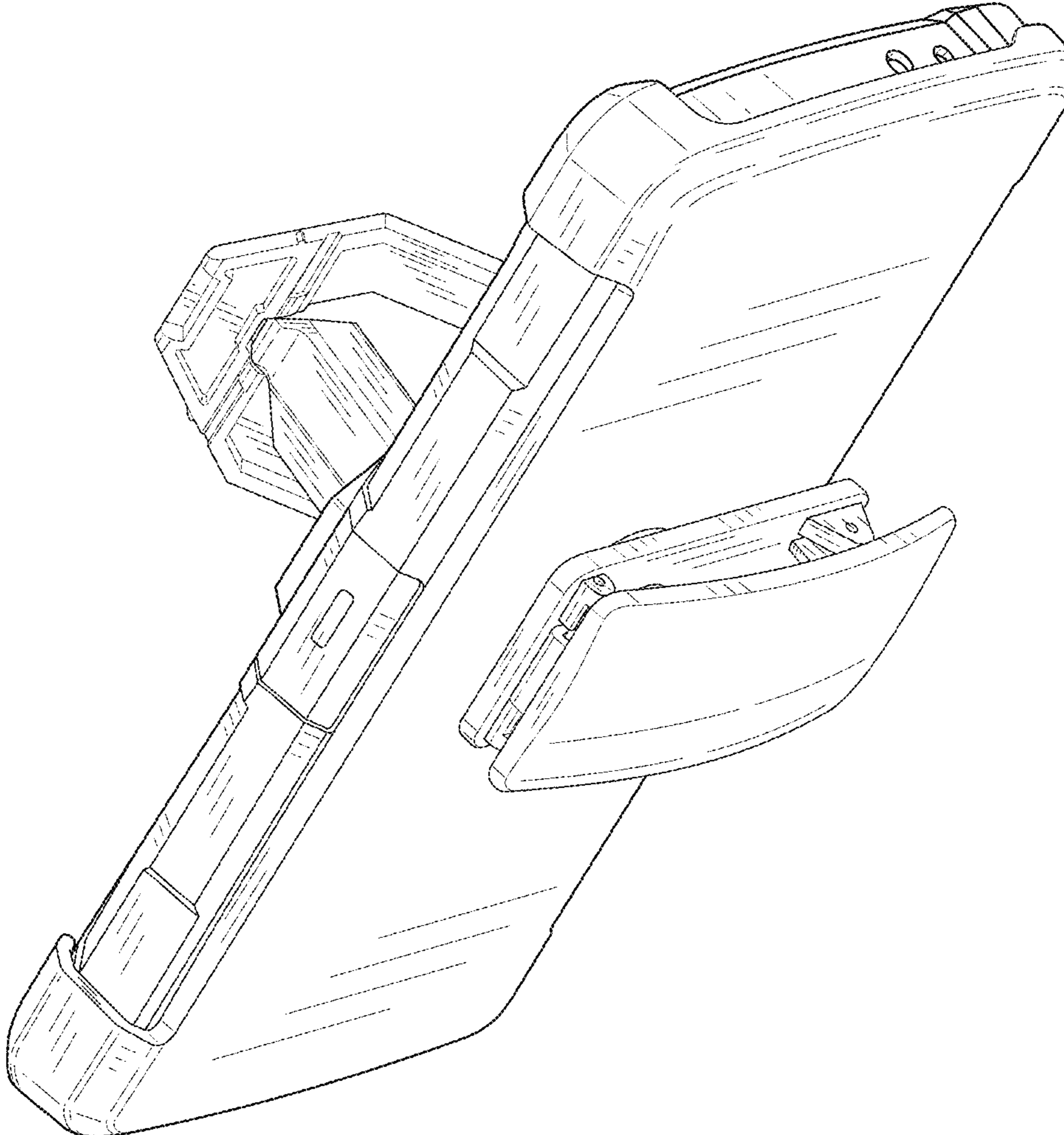


FIG. 2

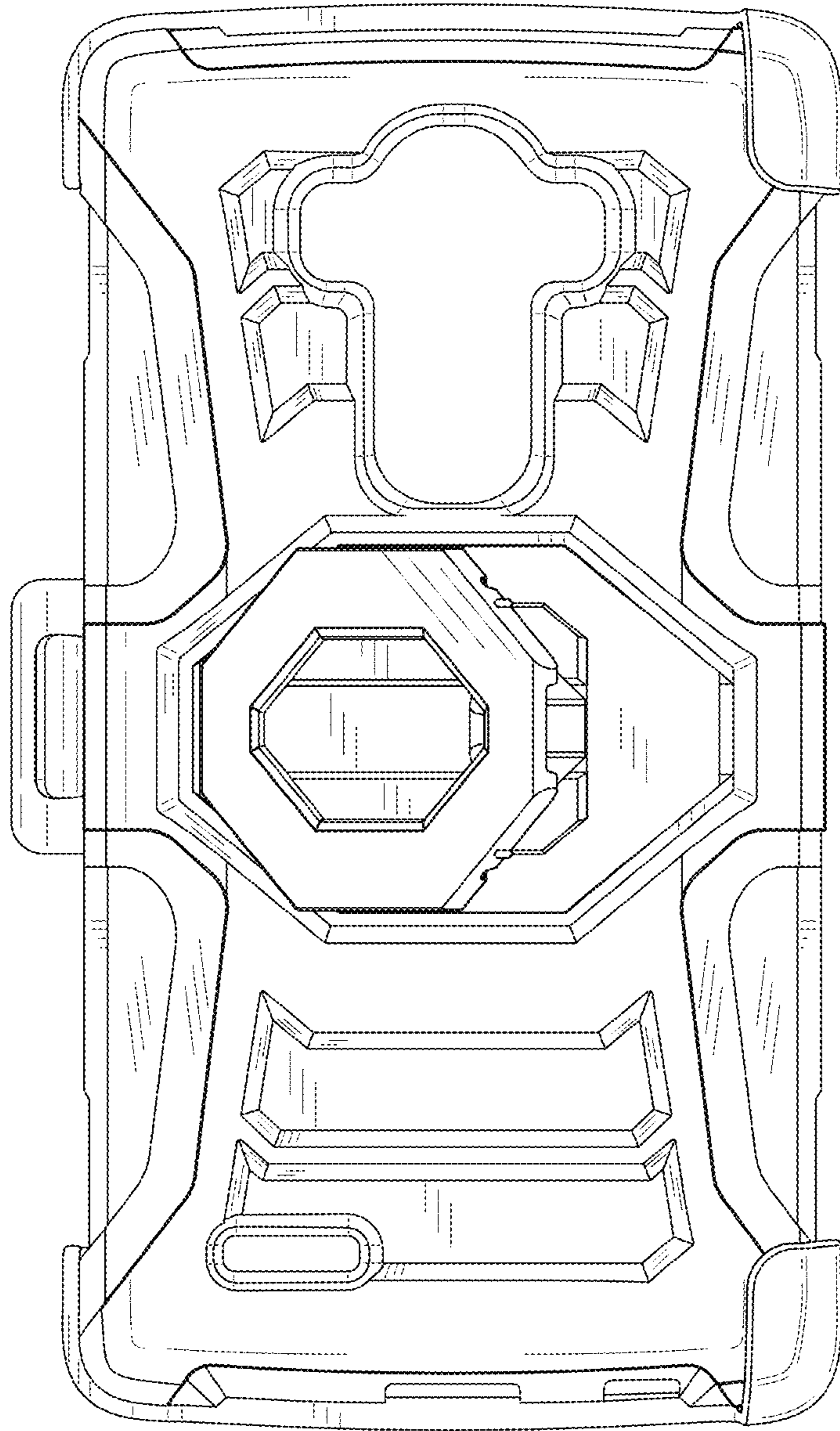


FIG. 3

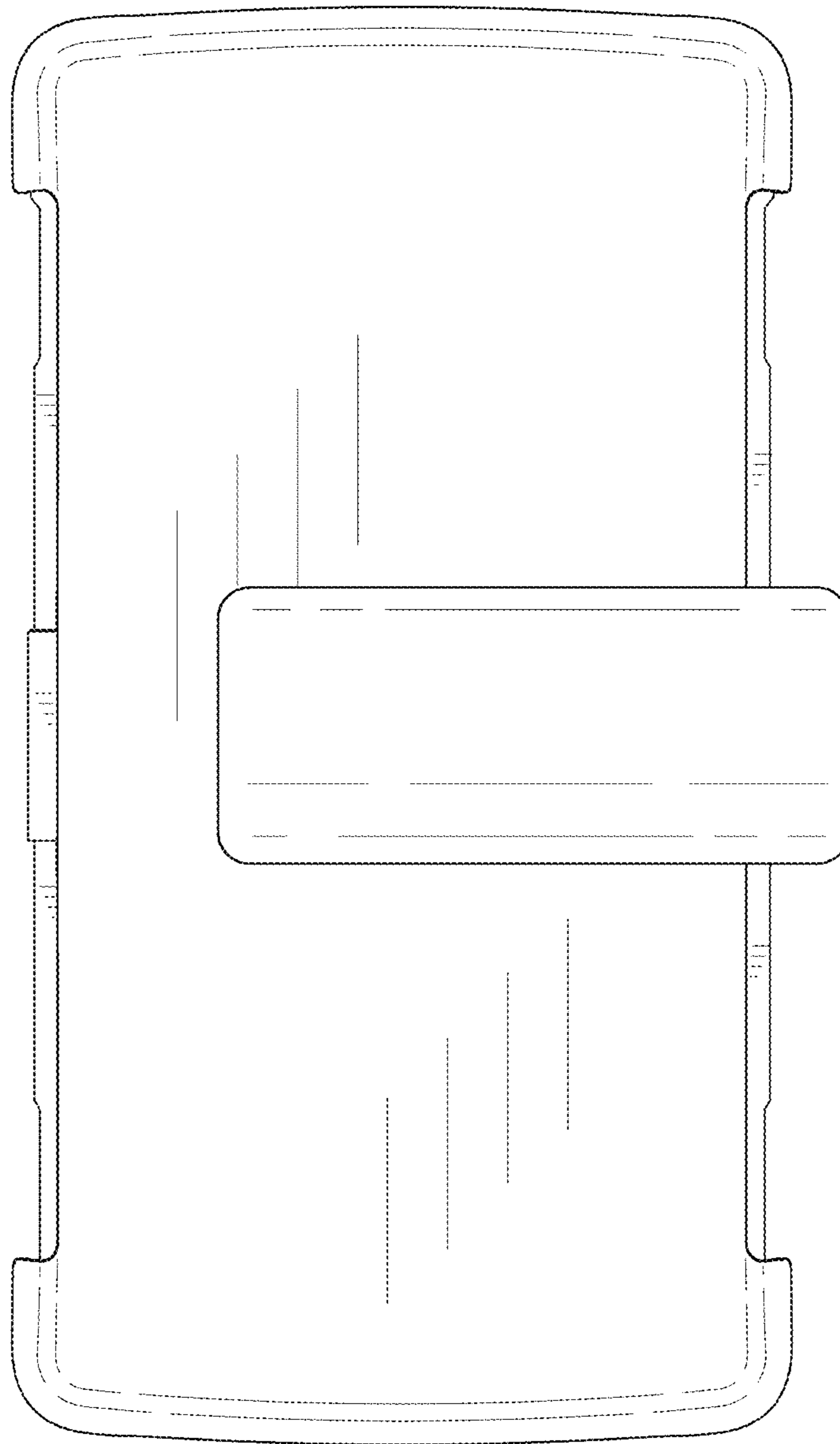


FIG. 4

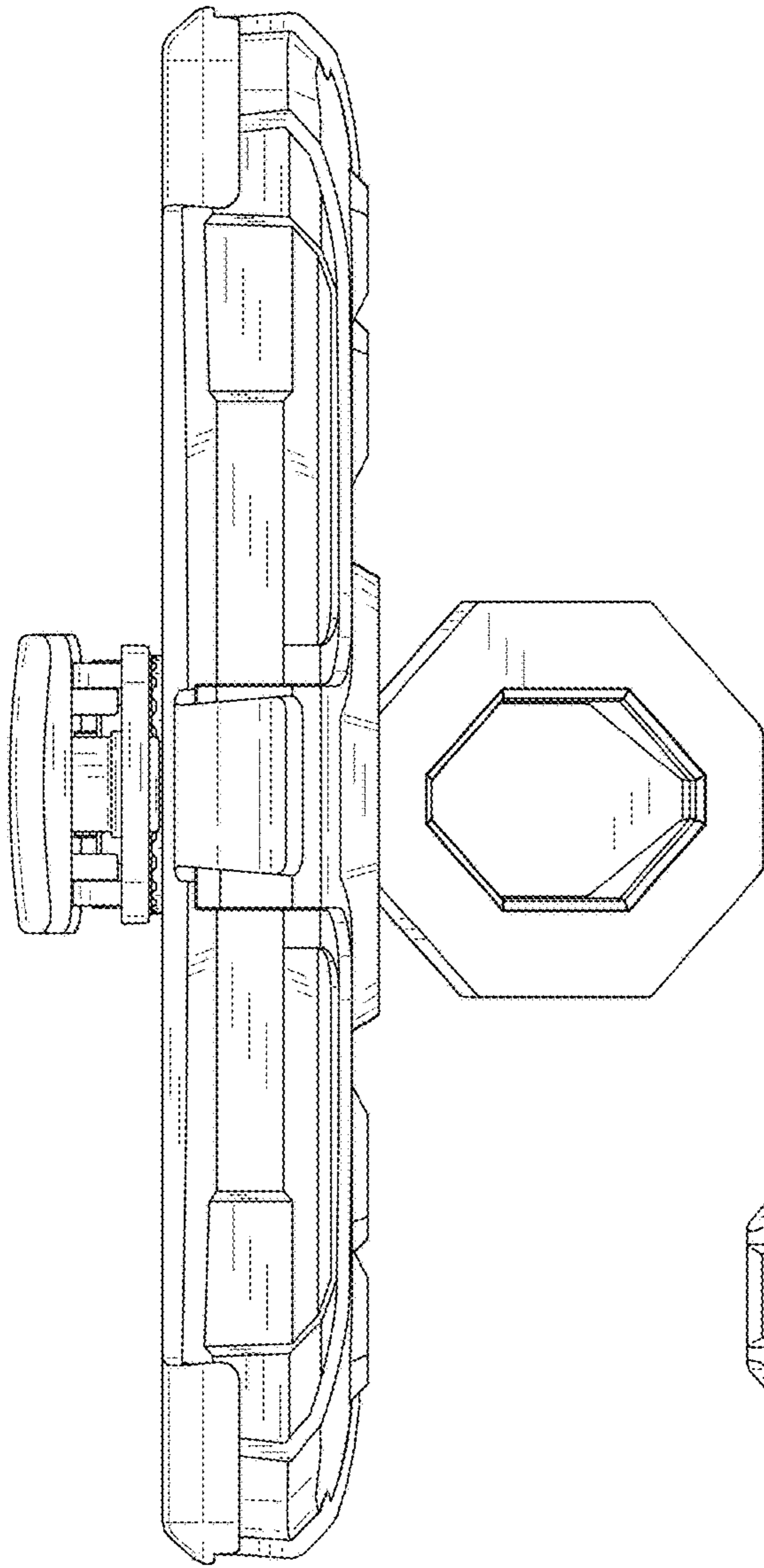


FIG. 5

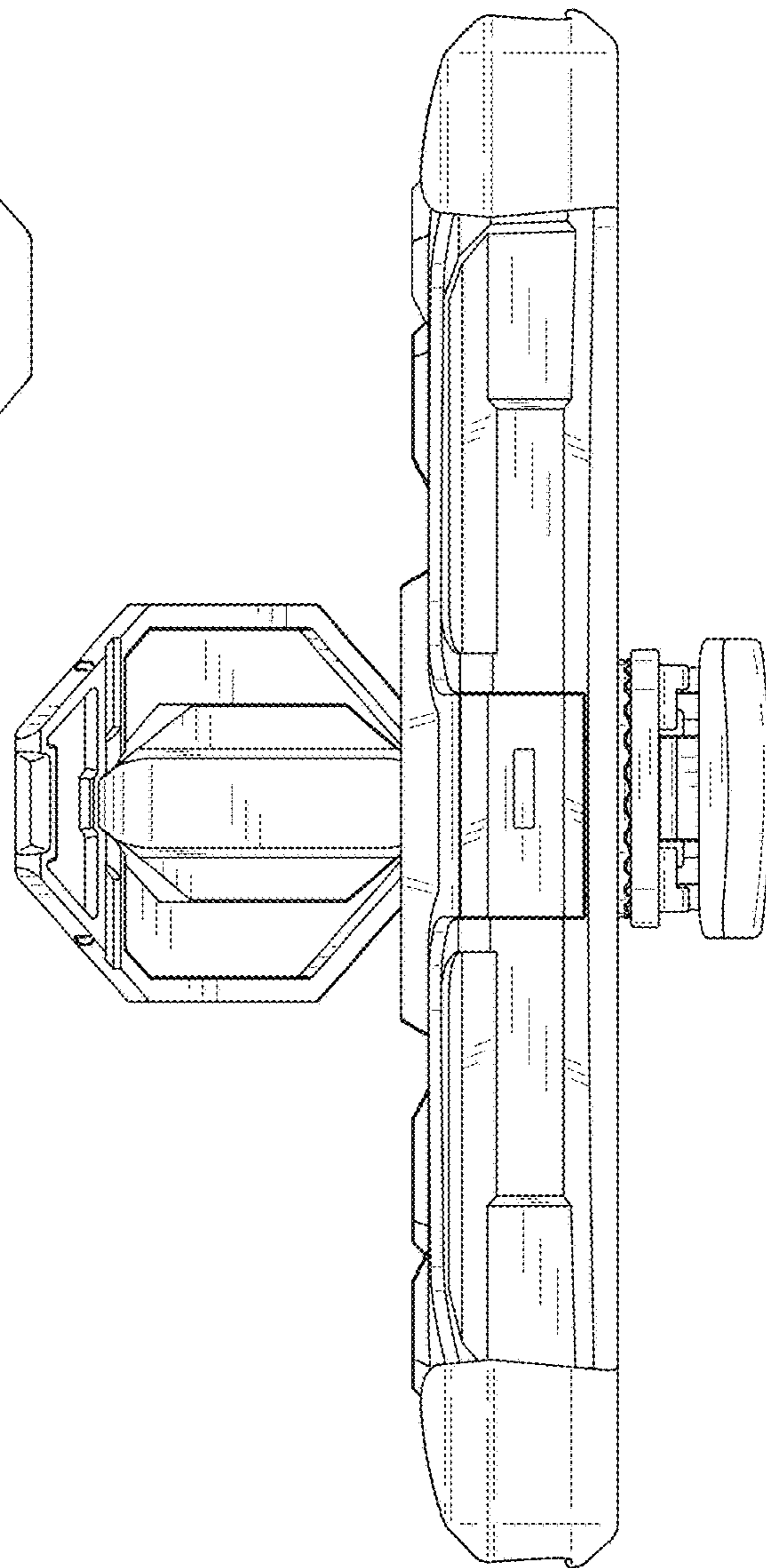


FIG. 6

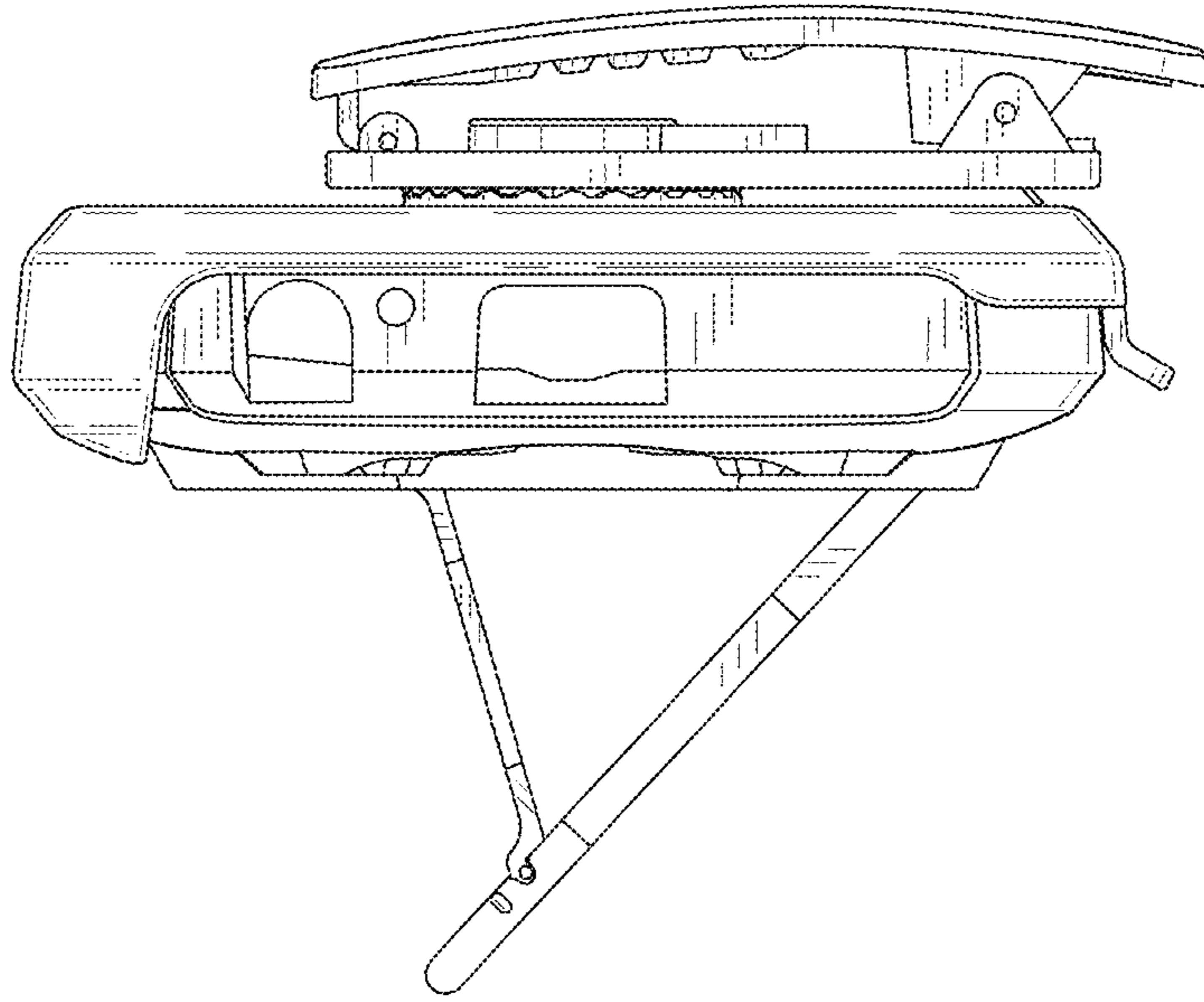


FIG. 7

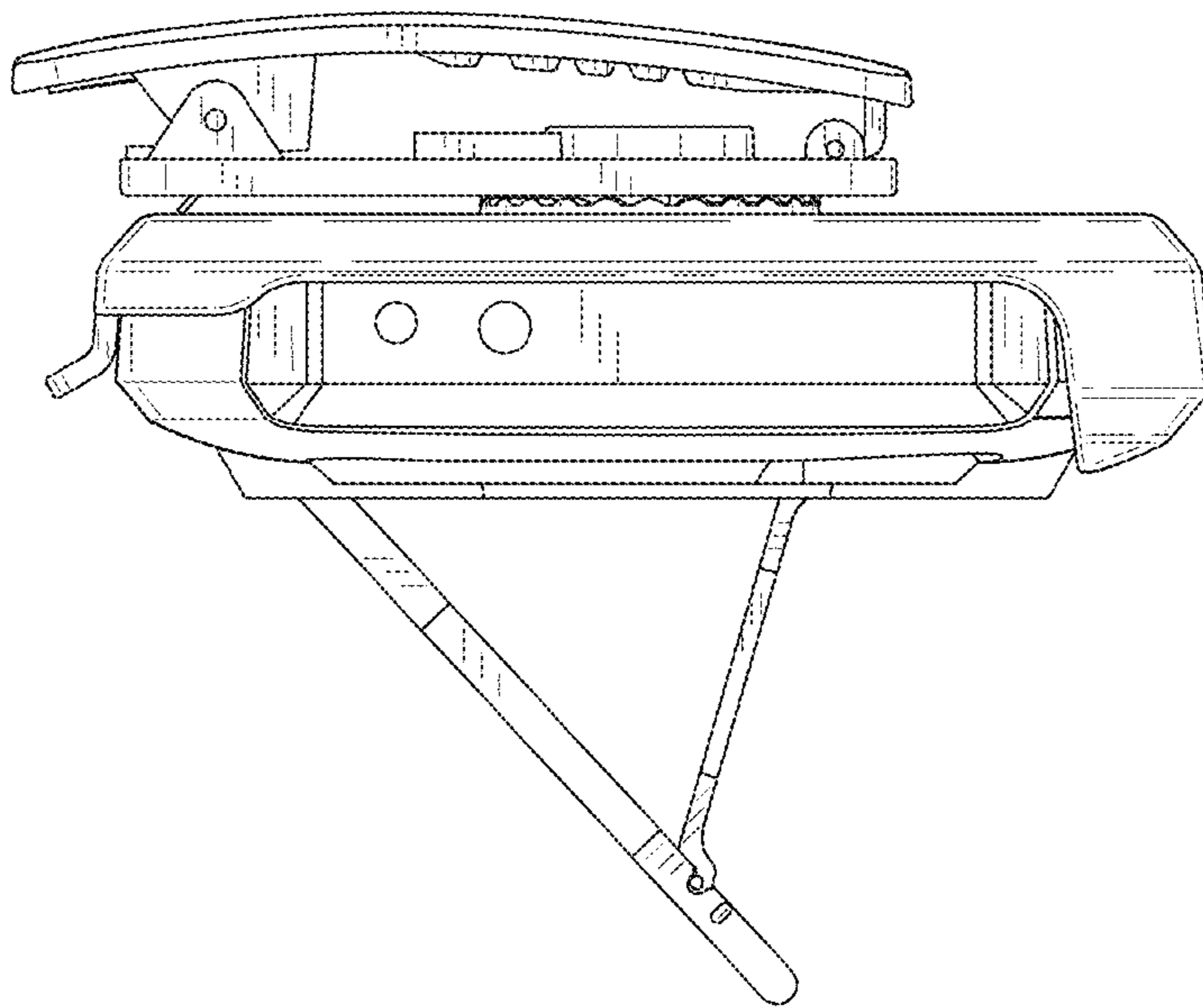


FIG. 8

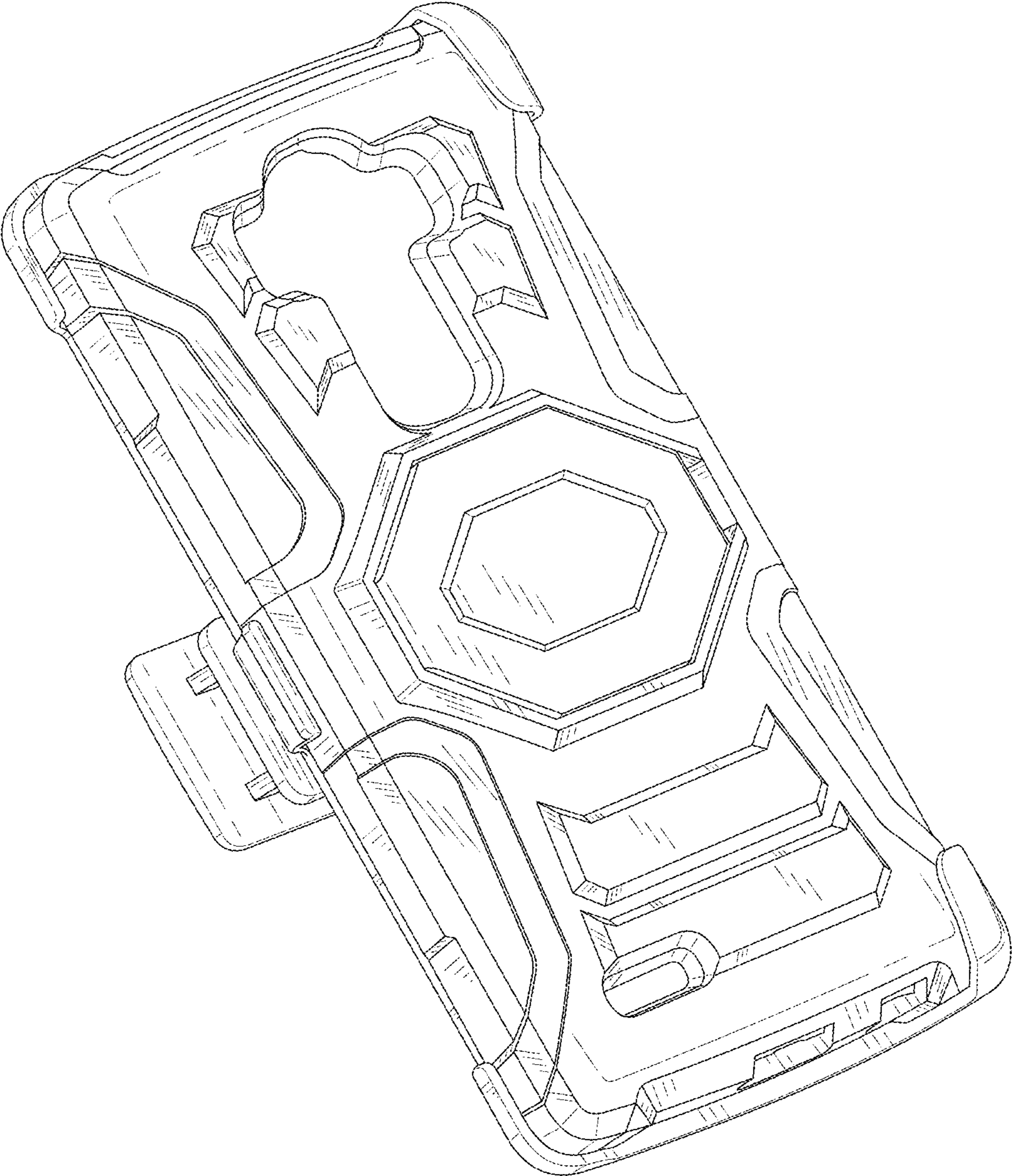


FIG. 9