



US00D791748S

(12) **United States Design Patent** (10) **Patent No.:** **US D791,748 S**  
**Bellows** (45) **Date of Patent:** **\*\* Jul. 11, 2017**

(54) **LOCATIONING MODULE**  
(71) Applicant: **SYMBOL TECHNOLOGIES, LLC**,  
Lincolnshire, IL (US)  
(72) Inventor: **David E. Bellows**, Wantagh, NY (US)  
(73) Assignee: **Symbol Technologies, LLC**, Holtsville,  
NY (US)  
(\*\*) Term: **15 Years**  
(21) Appl. No.: **29/550,675**  
(22) Filed: **Jan. 6, 2016**  
(51) **LOC (10) Cl.** ..... **14-03**  
(52) **U.S. Cl.**  
USPC ..... **D14/240; D14/230**  
(58) **Field of Classification Search**  
USPC ..... D14/356, 357, 358, 361, 362, 365, 367,  
D14/370, 432, 434, 230, 235, 240, 242,  
D14/299, 125, 137, 155, 168, 188;  
D13/107, 108, 123, 162, 162.1, 163, 184,  
D13/199; D10/46, 61, 62, 65, 70, 74, 75,  
D10/104.1, 106.1, 121  
CPC ... H04W 88/06; H04W 88/085; H04W 84/02;  
H01Q 1/2291; H01Q 1/24; H01Q 1/241;  
H01Q 1/247; H01Q 1/248; H01Q 1/38;  
H01Q 1/007  
See application file for complete search history.

(56) **References Cited**  
U.S. PATENT DOCUMENTS  
D318,673 S \* 7/1991 Terk ..... D14/230  
D345,564 S \* 3/1994 Kadono ..... D14/230  
D378,592 S \* 3/1997 Hartwig ..... D14/230  
D396,471 S \* 7/1998 Kolinen ..... D14/240  
D396,724 S \* 8/1998 Herbst ..... D14/230  
D427,180 S \* 6/2000 Humes ..... D14/230  
D440,960 S \* 4/2001 Barber ..... D14/230

D492,671 S \* 7/2004 Shibano ..... D14/230  
D505,416 S \* 5/2005 Ma ..... D14/230  
D530,317 S \* 10/2006 Johnson ..... D14/242  
D530,708 S \* 10/2006 Maruyama ..... D14/240  
D531,172 S \* 10/2006 Noro ..... D14/230  
D548,199 S \* 8/2007 Chen ..... D10/106.1  
D556,190 S \* 11/2007 Liu ..... D14/240  
D595,704 S \* 7/2009 DiClemente ..... D14/240  
D596,627 S \* 7/2009 Cho ..... D14/240  
D604,724 S \* 11/2009 Vorreiter ..... D14/240  
D606,983 S \* 12/2009 Hamer ..... D14/240  
D612,369 S \* 3/2010 Conrad ..... D14/230  
D614,610 S \* 4/2010 Sala ..... D14/230  
D635,106 S \* 3/2011 Cheng ..... D13/184  
D655,697 S \* 3/2012 Petsch ..... D13/182  
D656,131 S \* 3/2012 Suleiman ..... D14/230  
D664,126 S \* 7/2012 Feit ..... D14/230  
D697,059 S \* 1/2014 Miller ..... D14/230

(Continued)

*Primary Examiner* — Susan Bennett Hattan  
*Assistant Examiner* — Marie Fast Horse

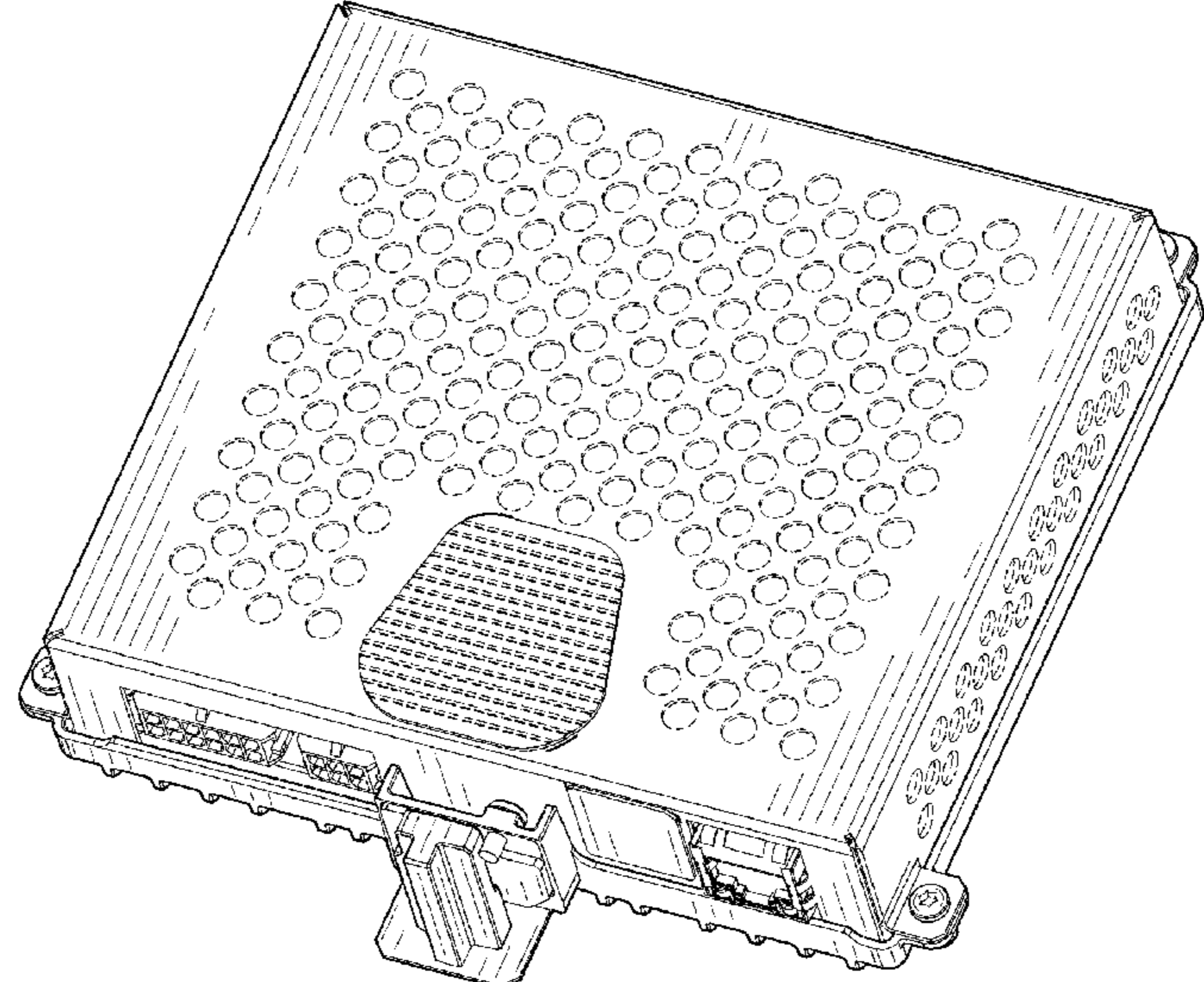
(57) **CLAIM**

The ornamental design for a locationing module, as shown and described.

**DESCRIPTION**

FIG. 1 is a rear perspective view of a locationing module showing the new design;  
FIG. 2 is a front perspective view thereof;  
FIG. 3 is a left side view thereof;  
FIG. 4 is a right side view thereof;  
FIG. 5 is a front view thereof;  
FIG. 6 is a rear view thereof;  
FIG. 7 is a top view thereof; and,  
FIG. 8 is a bottom view thereof.  
The broken lines and unshaded portions contained within broken lines shown in the drawings are for illustrative purposes only and depict portions of the locationing module that form no part of the claimed design.

**1 Claim, 7 Drawing Sheets**



(56)

**References Cited**

U.S. PATENT DOCUMENTS

D730,333	S *	5/2015	Matsumoto .....	D14/240
D731,491	S *	6/2015	Larson .....	D14/435
D754,640	S *	4/2016	Zuniga .....	D14/230
D754,641	S *	4/2016	Suleiman .....	D14/230
D758,999	S *	6/2016	Matsuoka .....	D14/230
D759,639	S *	6/2016	Moon .....	D14/242
2002/0094087	A1 *	7/2002	Dellmo .....	H04W 12/02 380/270
2002/0095594	A1 *	7/2002	Dellmo .....	G06F 21/602 726/26
2003/0124883	A1 *	7/2003	Hsu .....	H01Q 1/125 439/76.1
2008/0254761	A1 *	10/2008	Troemel .....	H04B 1/08 455/344
2010/0060454	A1 *	3/2010	Kazanchian .....	H05K 1/0218 340/572.1
2015/0018044	A1 *	1/2015	Sekine .....	H04W 88/085 455/561
2015/0236403	A1 *	8/2015	Cheng .....	G01S 13/505 343/700 MS
2016/0126624	A1 *	5/2016	Lee .....	H01Q 1/526 343/841
2016/0141791	A1 *	5/2016	Wang .....	H01R 13/516 439/501
2016/0149288	A1 *	5/2016	Wang .....	H01Q 1/38 343/906

\* cited by examiner

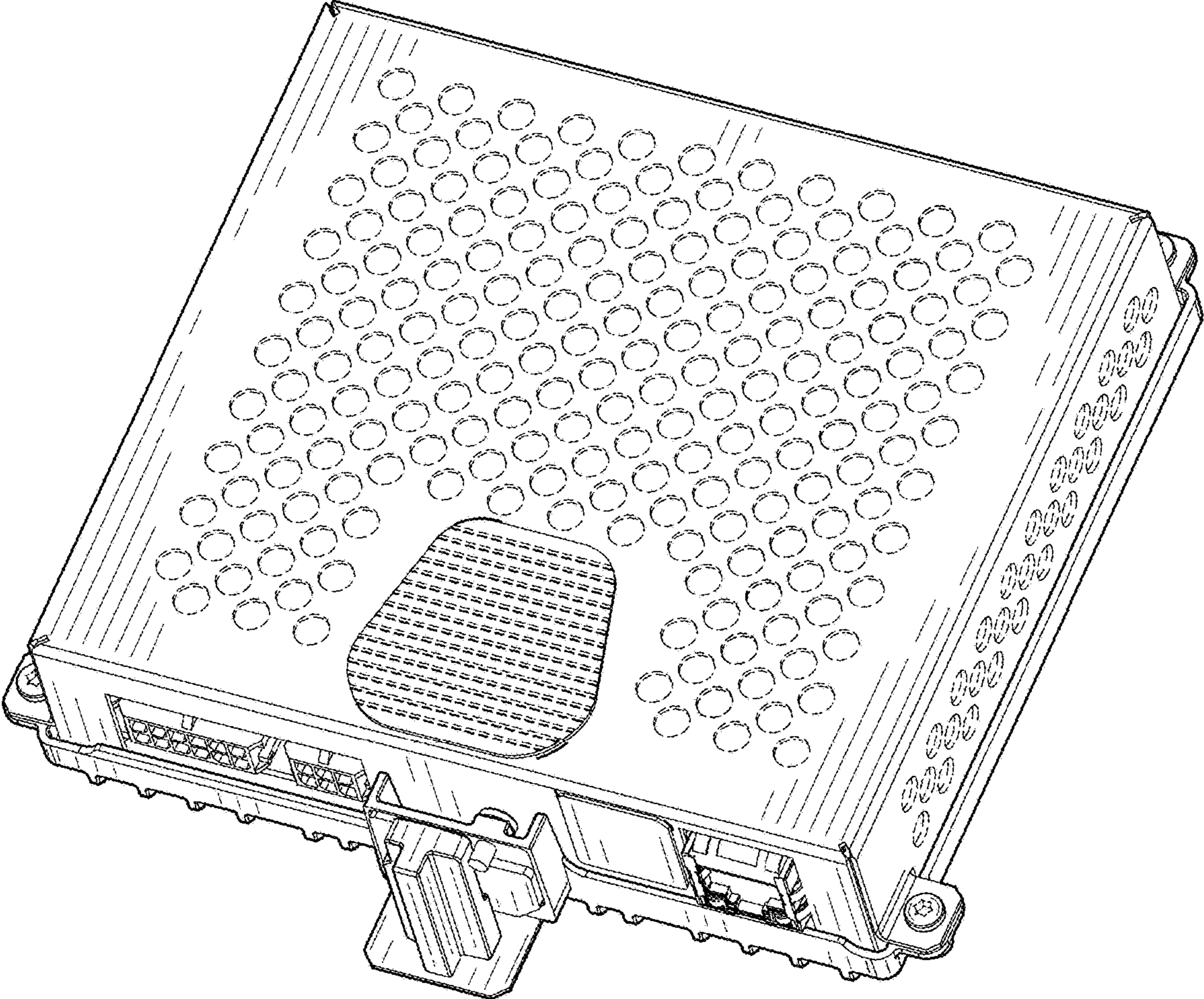


FIG. 1

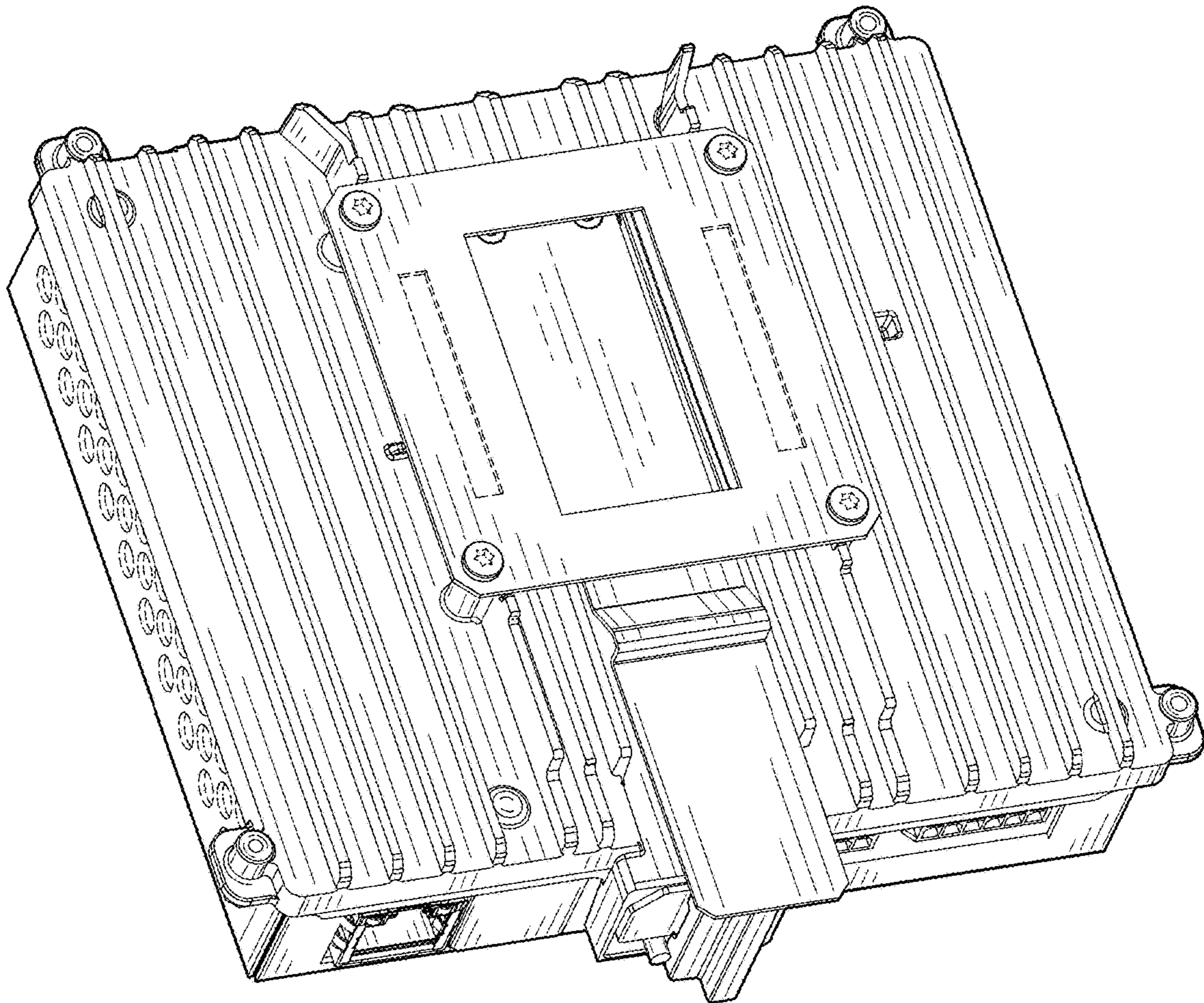


FIG. 2

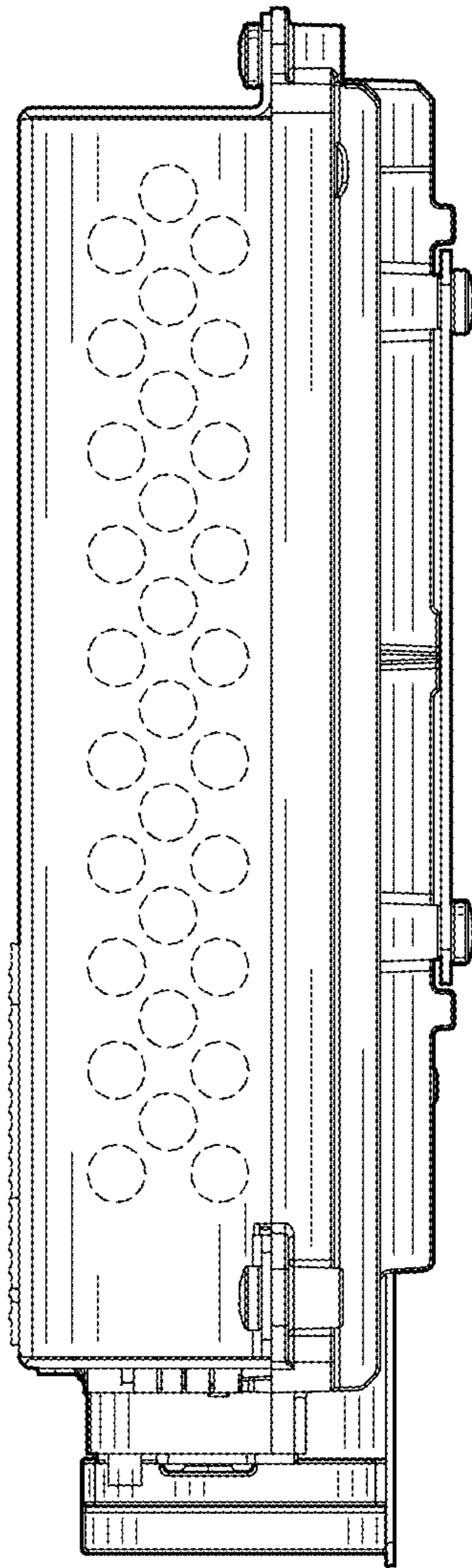


FIG. 3

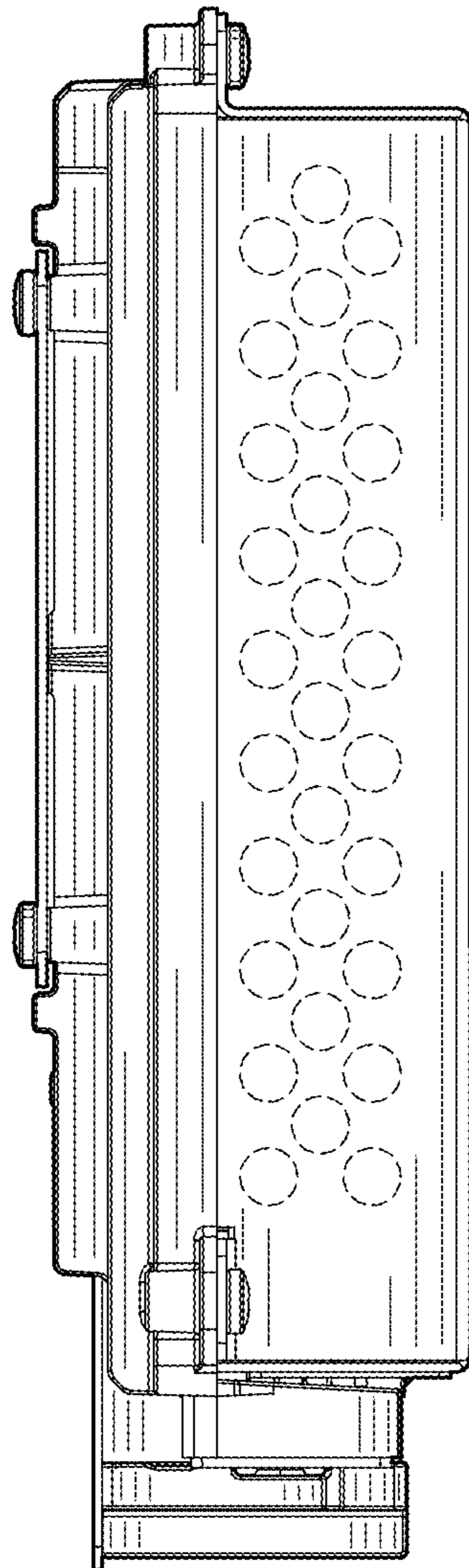


FIG. 4

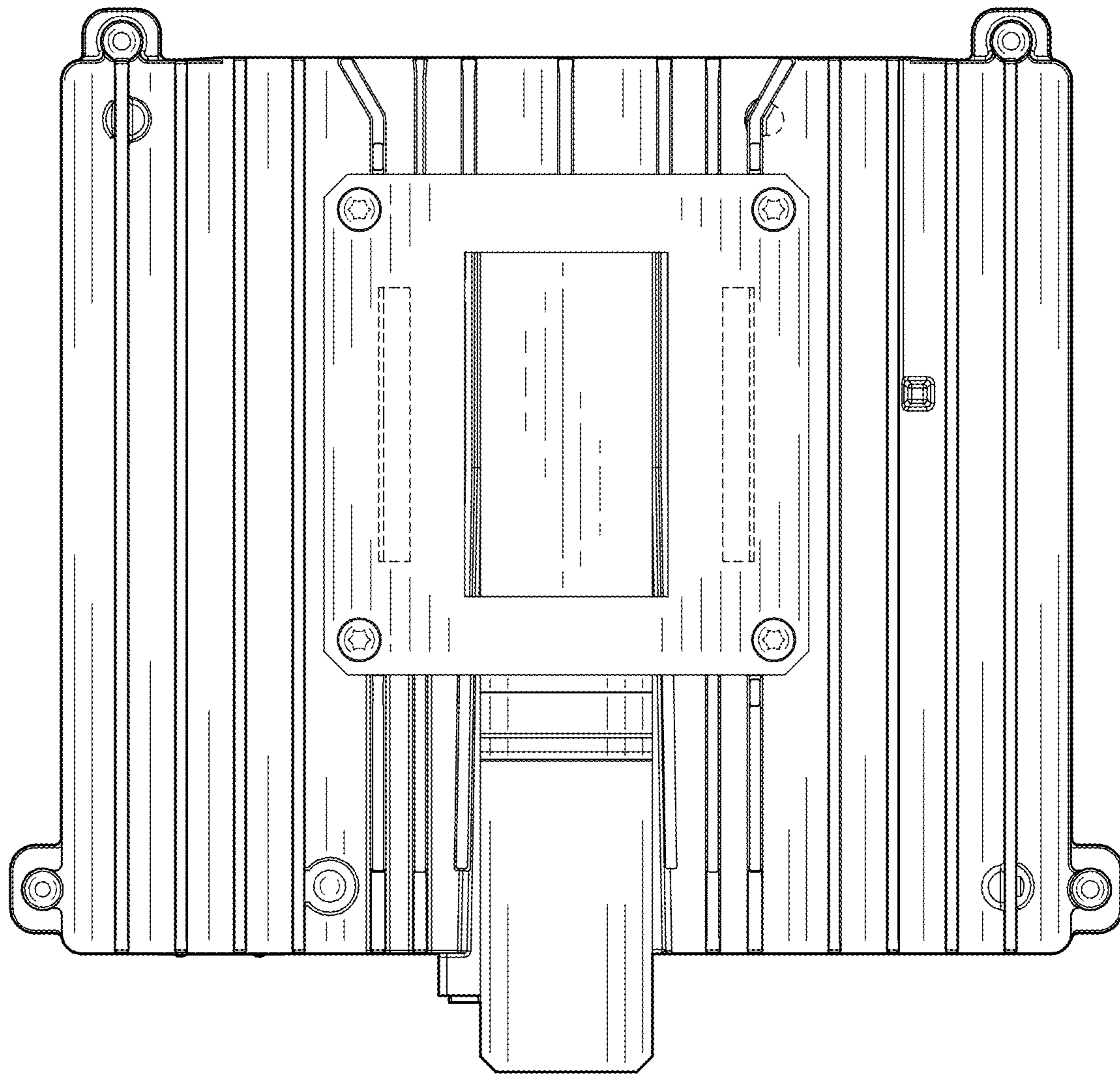


FIG. 5

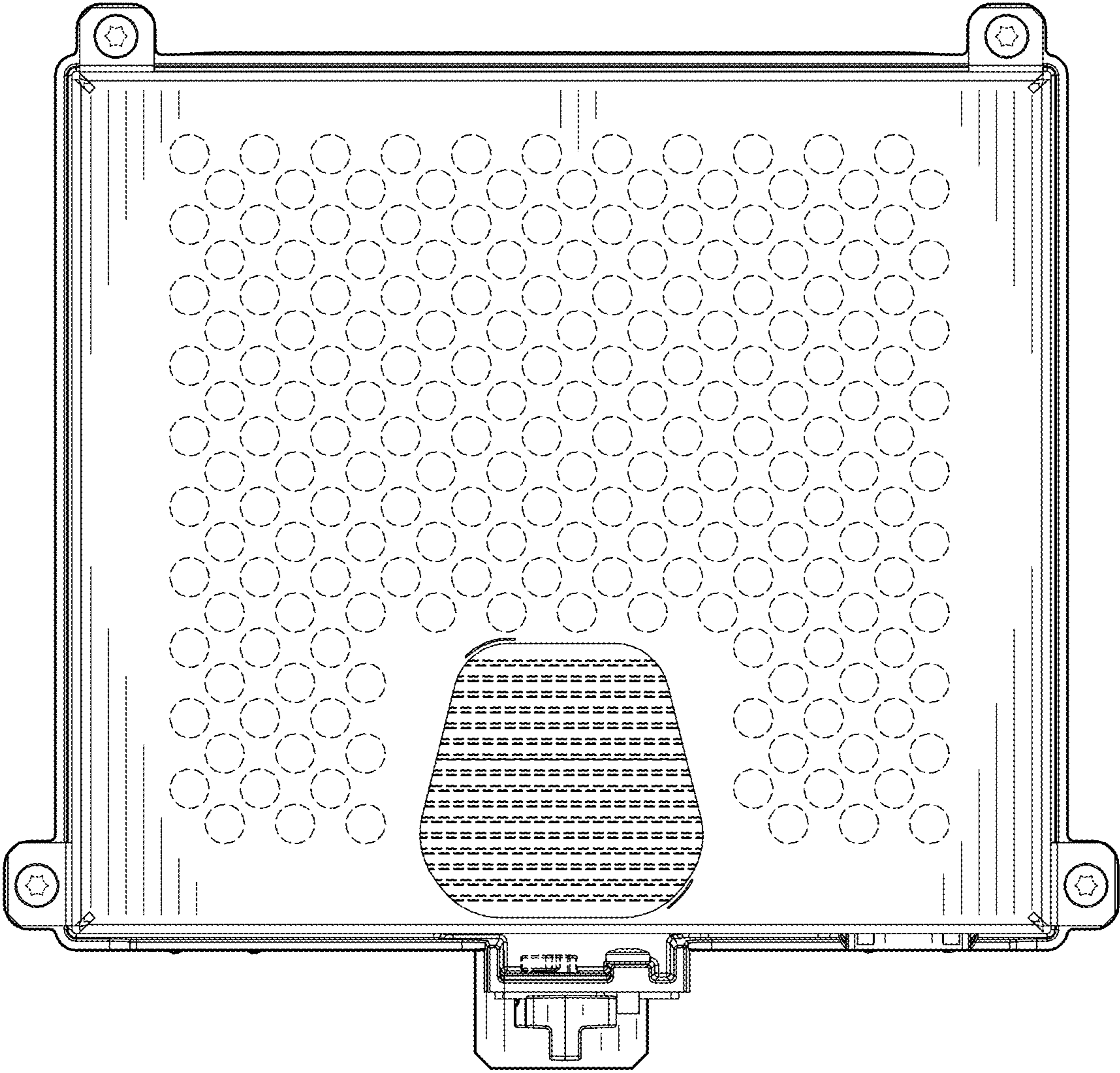


FIG. 6



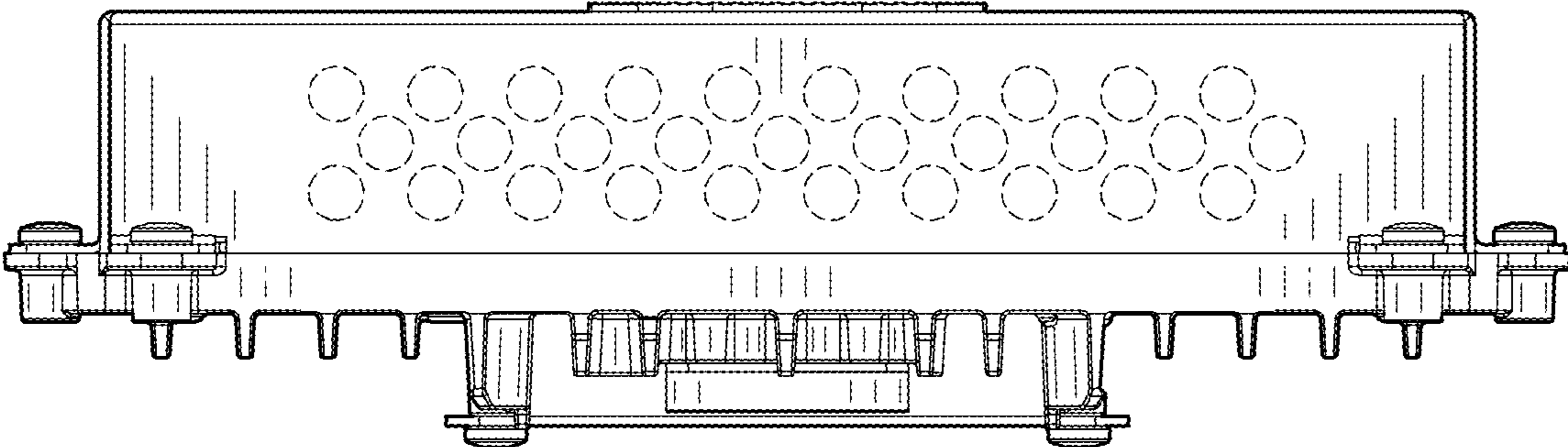


FIG. 7

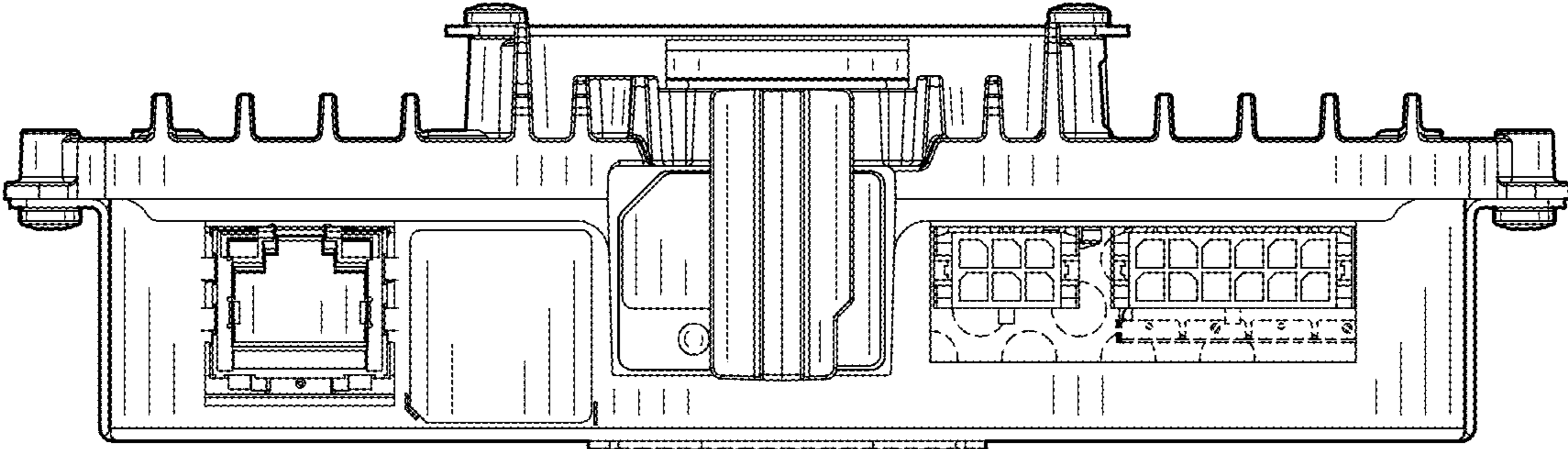


FIG. 8