



US00D791747S

(12) **United States Design Patent**
Bellows

(10) **Patent No.:** **US D791,747 S**

(45) **Date of Patent:** **** Jul. 11, 2017**

(54) **RFID MODULE**

(71) Applicant: **SYMBOL TECHNOLOGIES, LLC**,
Lincolnshire, IL (US)

(72) Inventor: **David E. Bellows**, Wantagh, NY (US)

(73) Assignee: **Symbol Technologies, LLC**, Holtsville,
NY (US)

(**) Term: **15 Years**

(21) Appl. No.: **29/550,649**

(22) Filed: **Jan. 6, 2016**

(51) **LOC (10) Cl.** **14-03**

(52) **U.S. Cl.**
USPC **D14/240; 14/230**

(58) **Field of Classification Search**
USPC D14/356, 357, 358, 361, 362, 365, 367,
D14/370, 432, 434, 230, 235, 240, 242,
D14/299, 125, 137, 155, 168, 188;
D13/107, 108, 123, 162, 162.1, 163, 184,
D13/199; D10/46, 61, 62, 65, 70, 74, 75,
D10/104.1, 106.1, 121
CPC ... H04W 88/06; H04W 88/085; H04W 84/02;
H01Q 1/2291; H01Q 1/24; H01Q 1/241;
H01Q 1/247; H01Q 1/248; H01Q 1/38;
H01Q 1/007

See application file for complete search history.

(56) **References Cited**

U.S. PATENT DOCUMENTS

D318,673 S *	7/1991	Terk	D14/230
D345,564 S *	3/1994	Kadono	D14/230
D378,592 S *	3/1997	Hartwig	D14/230
D396,471 S *	7/1998	Kolinen	D14/240
D396,724 S *	8/1998	Herbst	D14/230
D427,180 S *	6/2000	Humes	D14/230
D440,960 S *	4/2001	Barber	D14/230
D492,671 S *	7/2004	Shibano	D14/230
D505,416 S *	5/2005	Ma	D14/230

D530,317 S *	10/2006	Johnson	D14/242
D530,708 S *	10/2006	Maruyama	D14/240
D531,172 S *	10/2006	Noro	D14/230
D548,199 S *	8/2007	Chen	D10/106.1
D556,190 S *	11/2007	Liu	D14/240
D595,704 S *	7/2009	DiClemente	D14/240
D596,627 S *	7/2009	Cho	D14/240
D604,724 S *	11/2009	Vorreiter	D14/240
D606,983 S *	12/2009	Hamer	D14/240
D612,369 S *	3/2010	Conrad	D14/230
D614,610 S *	4/2010	Sala	D14/230
D635,106 S *	3/2011	Cheng	D13/184

(Continued)

OTHER PUBLICATIONS

Design U.S. Appl. No. 29/550,675, filed Jan. 6, 2016, entitled
“Locating Module for use in Networked Apparatus having
Coordinated Sensors,” (8 pages).

Primary Examiner — Susan Bennett Hattan

Assistant Examiner — Marie Fast Horse

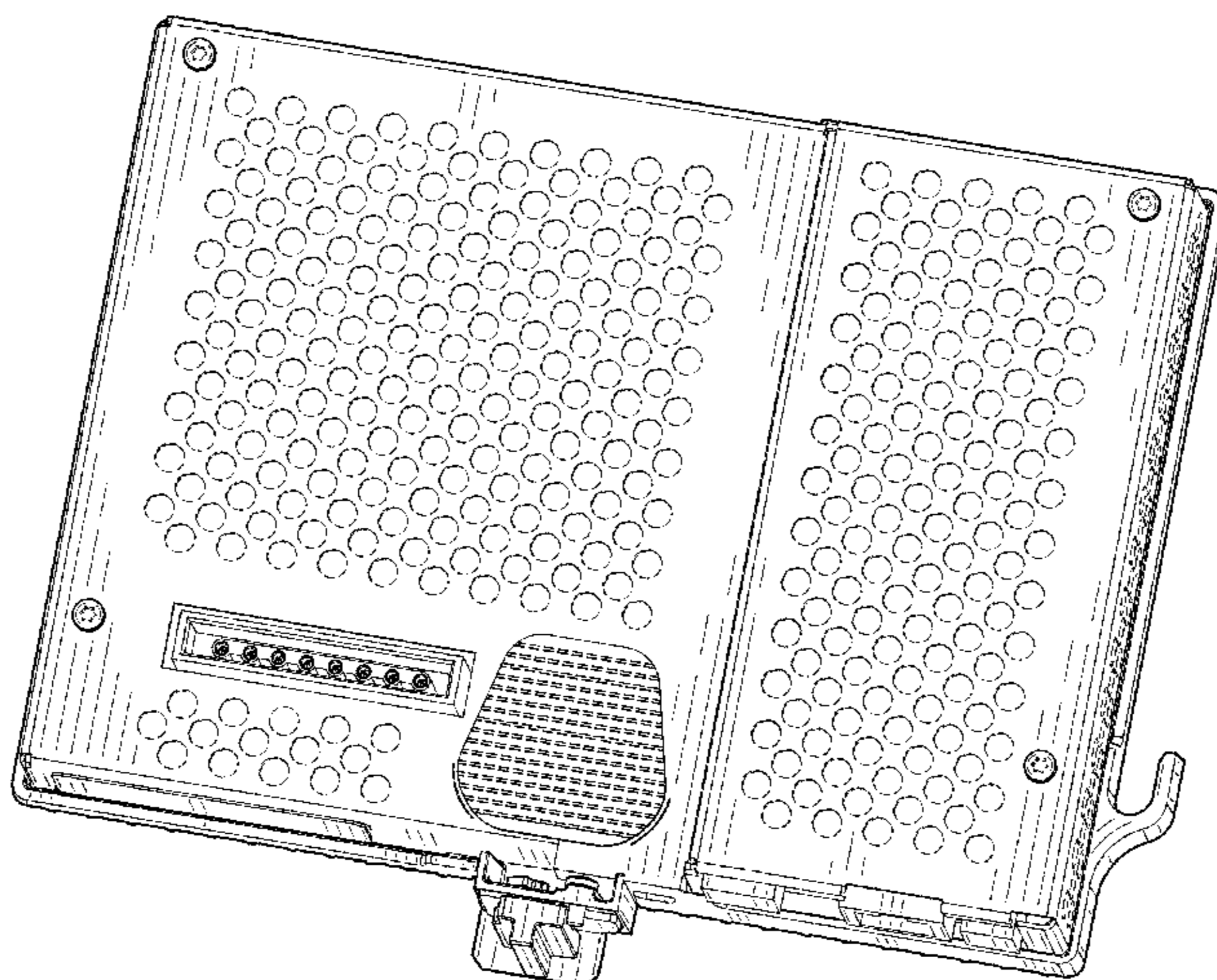
(57) **CLAIM**

The ornamental design for an RFID module, as shown and
described.

DESCRIPTION

FIG. 1 is a rear perspective view of an RFID module
showing the new design;
FIG. 2 is a front perspective view thereof;
FIG. 3 is a left side view thereof;
FIG. 4 is a right side view thereof;
FIG. 5 is a front view thereof;
FIG. 6 is a rear view thereof;
FIG. 7 is a top view thereof; and,
FIG. 8 is a bottom view thereof.
The broken lines and unshaded portions contained within
broken lines shown in the drawings are for illustrative
purposes only and depict portions of the RFID module that
form no part of the claimed design.

1 Claim, 7 Drawing Sheets



(56)

References Cited

U.S. PATENT DOCUMENTS

D655,697	S *	3/2012	Petsch	D13/182
D656,131	S *	3/2012	Suleiman	D14/230
D664,126	S *	7/2012	Feit	D14/230
D697,059	S *	1/2014	Miller	D14/230
D730,333	S *	5/2015	Matsumoto	D14/240
D731,491	S *	6/2015	Larson	D14/435
D754,640	S *	4/2016	Zuniga	D14/230
D754,641	S *	4/2016	Suleiman	D14/230
D758,999	S *	6/2016	Matsuoka	D14/230
D759,639	S *	6/2016	Moon	D14/242
2002/0094087	A1 *	7/2002	Dellmo	H04W 12/02 380/270
2002/0095594	A1 *	7/2002	Dellmo	G06F 21/602 726/26
2003/0124883	A1 *	7/2003	Hsu	H01Q 1/125 439/76.1
2008/0254761	A1 *	10/2008	Troemel	H04B 1/08 455/344
2010/0060454	A1 *	3/2010	Kazanchian	H05K 1/0218 340/572.1
2015/0018044	A1 *	1/2015	Sekine	H04W 88/085 455/561
2015/0236403	A1 *	8/2015	Cheng	G01S 13/505 343/700 MS
2016/0126624	A1 *	5/2016	Lee	H01Q 1/526 343/841
2016/0141791	A1 *	5/2016	Wang	H01R 13/516 439/501
2016/0149288	A1 *	5/2016	Wang	H01Q 1/38 343/906

* cited by examiner

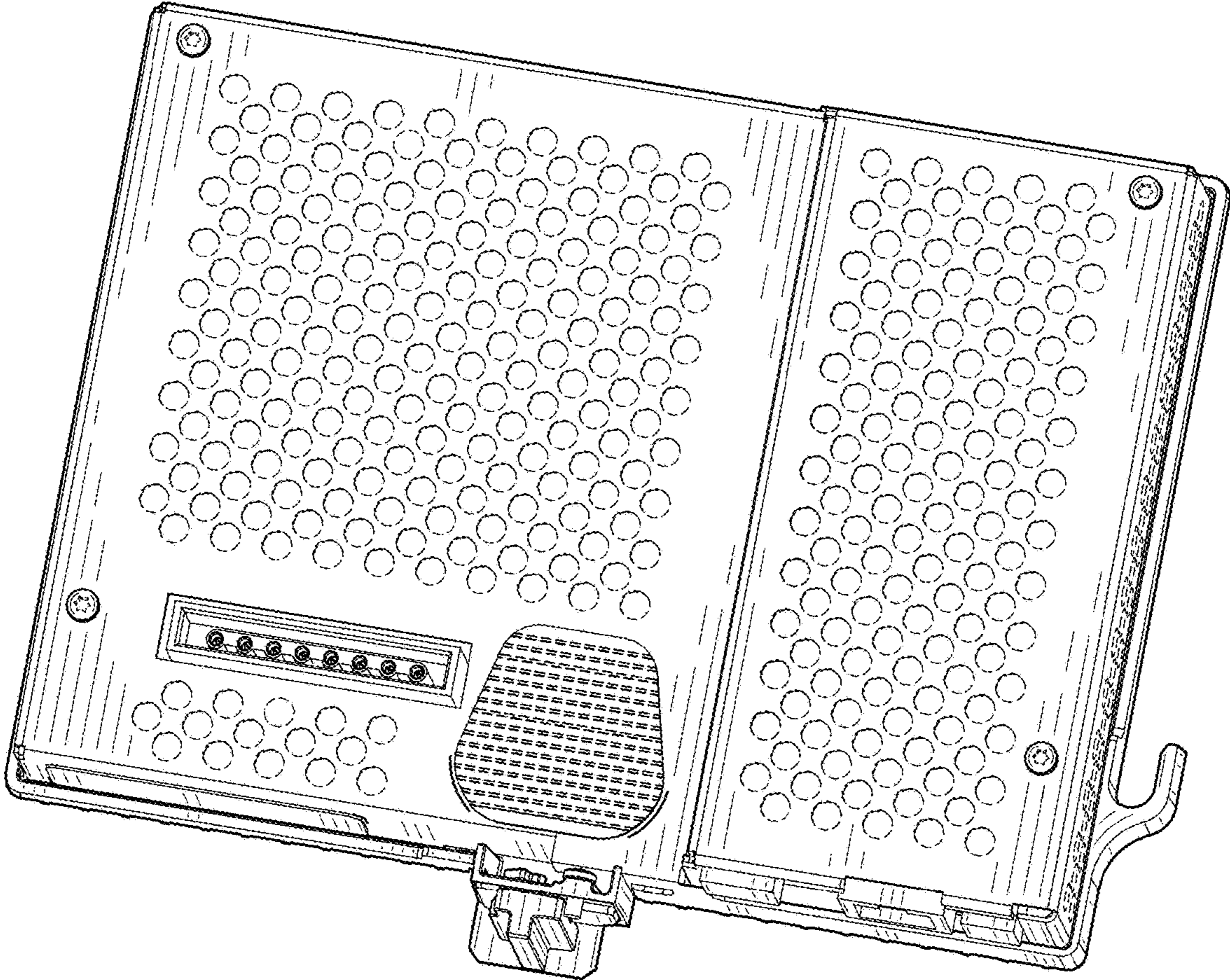


FIG. 1

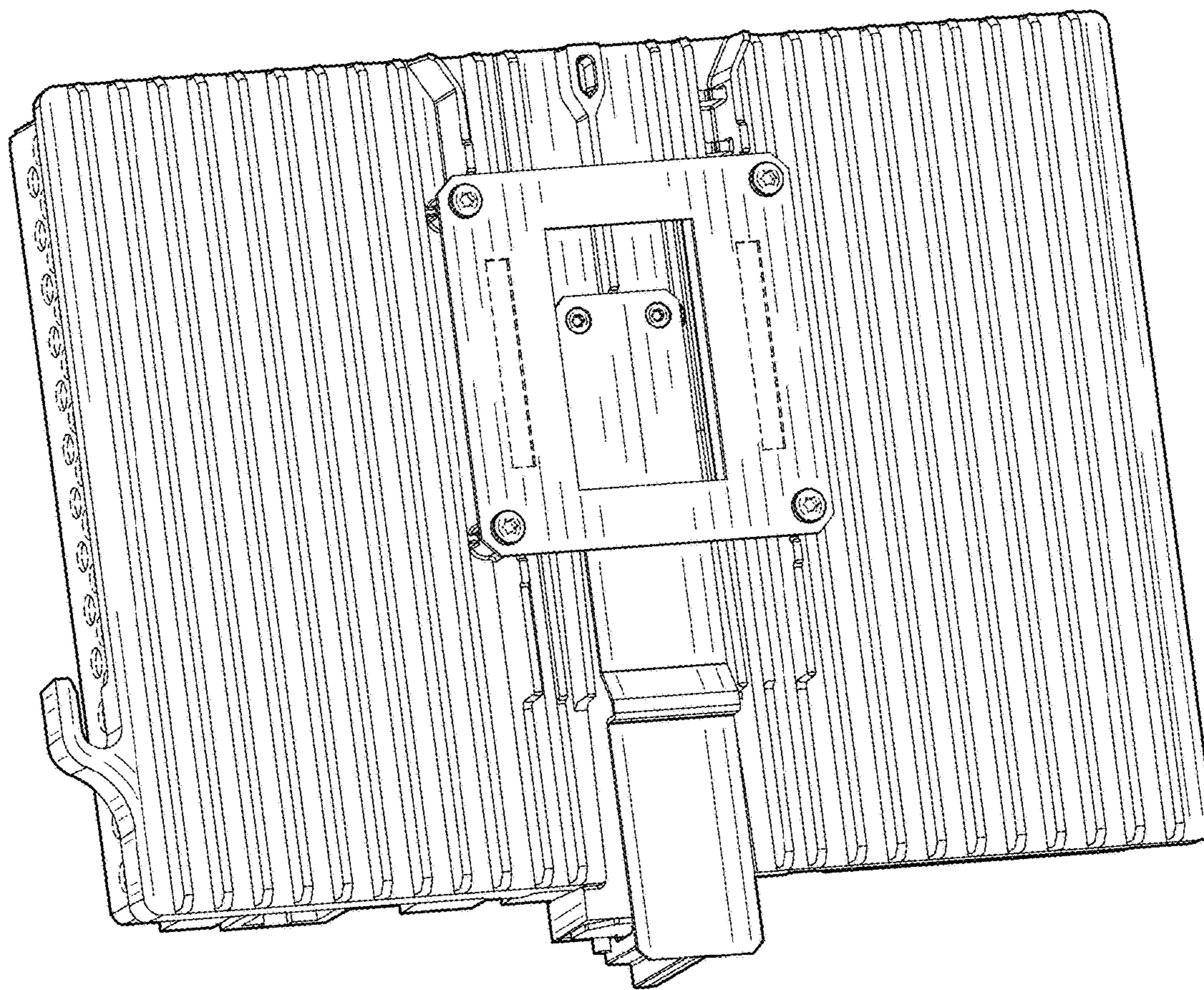


FIG. 2

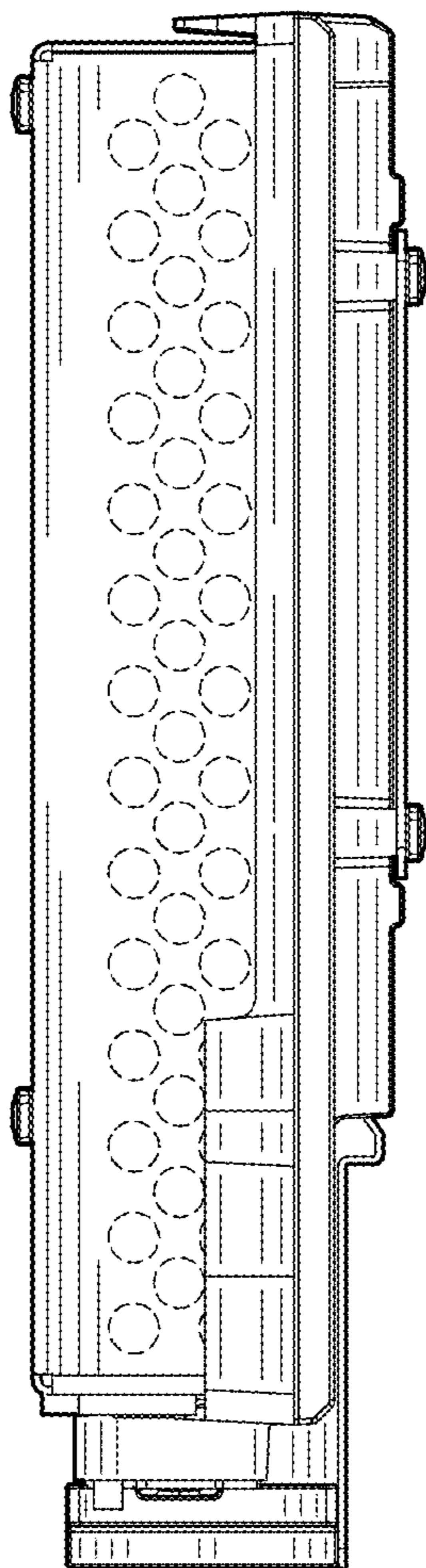


FIG. 3

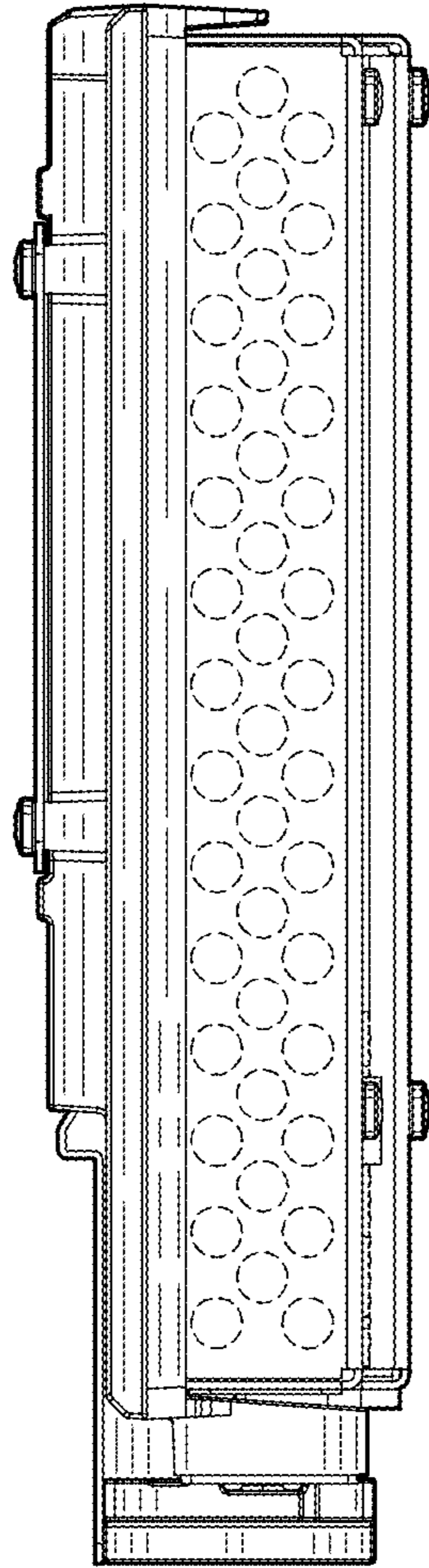


FIG. 4

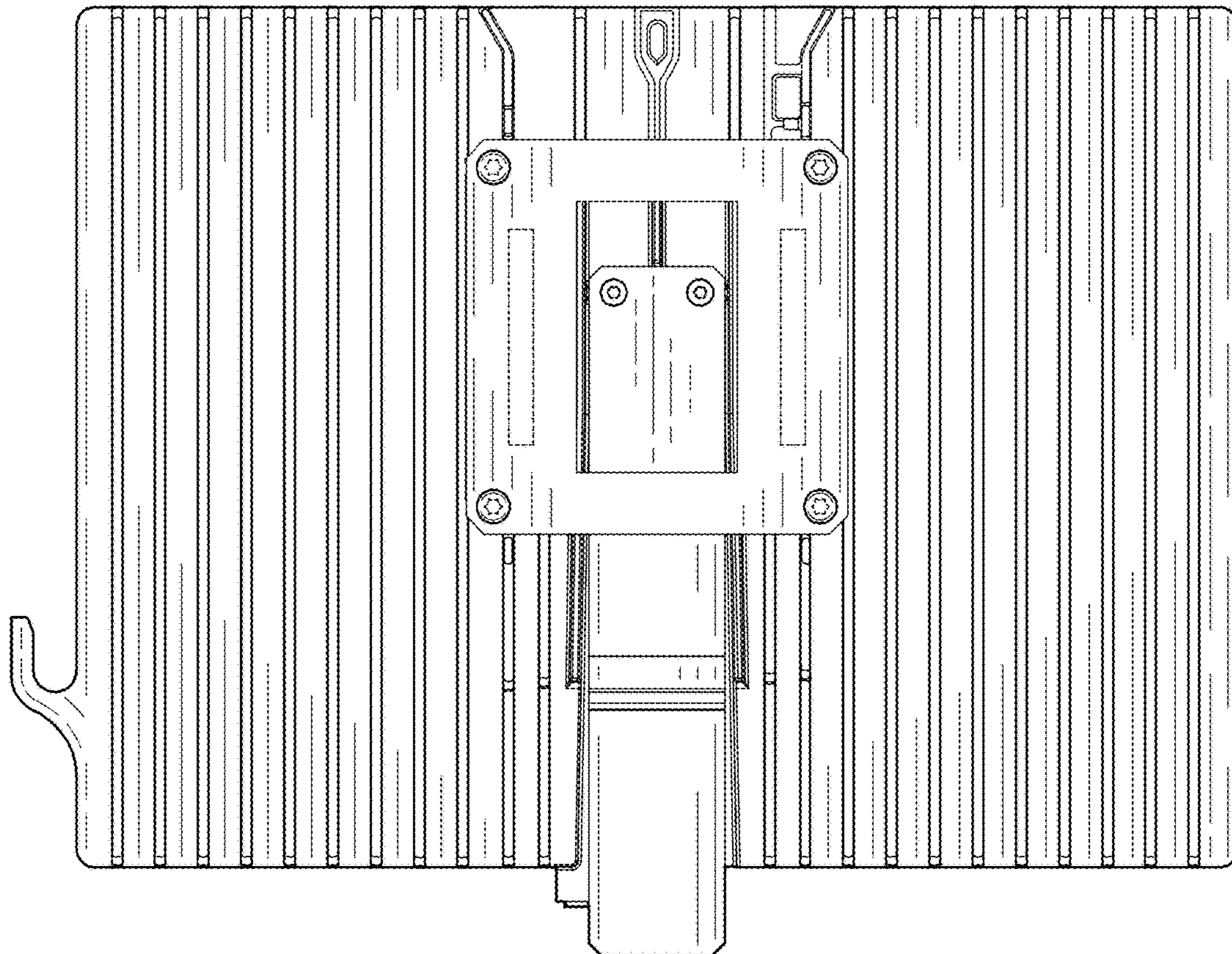


FIG. 5

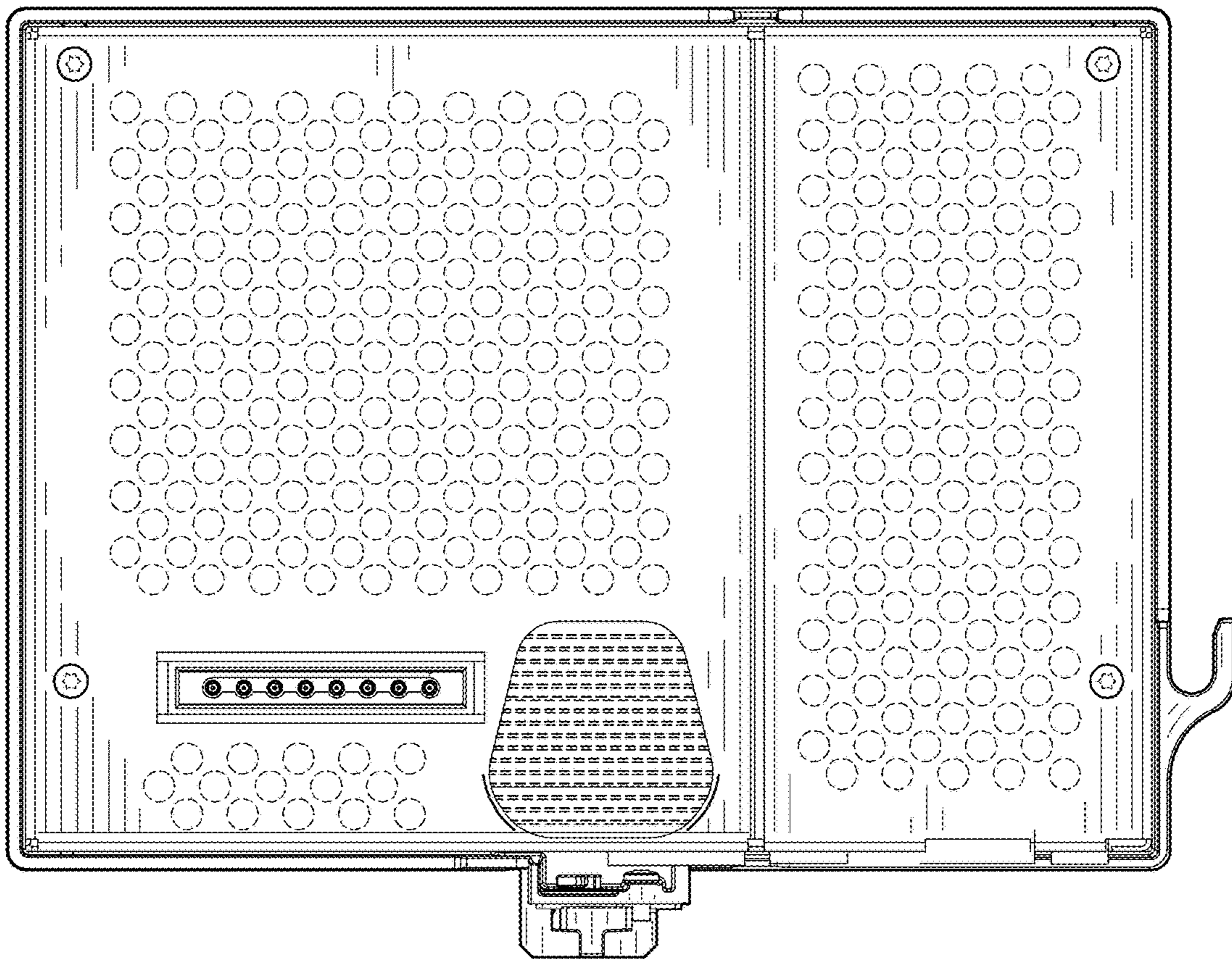


FIG. 6

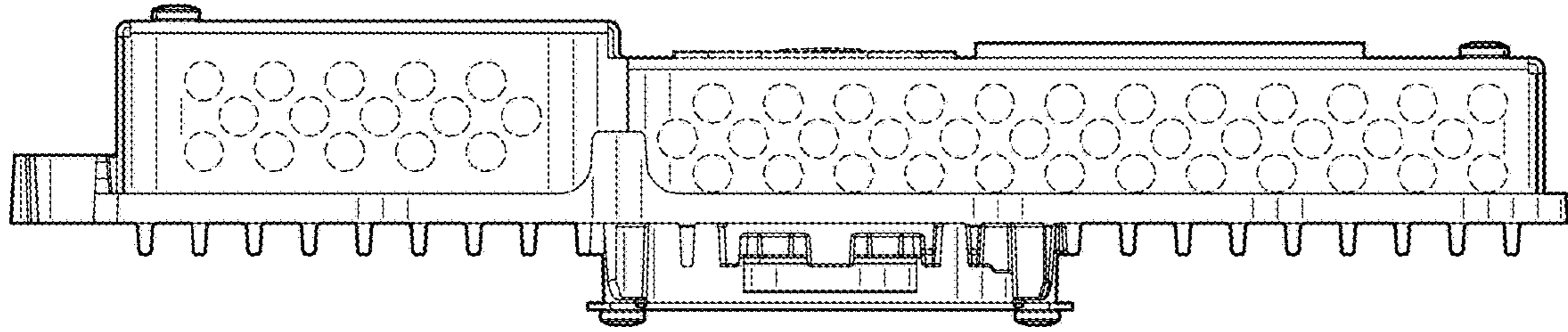


FIG. 7

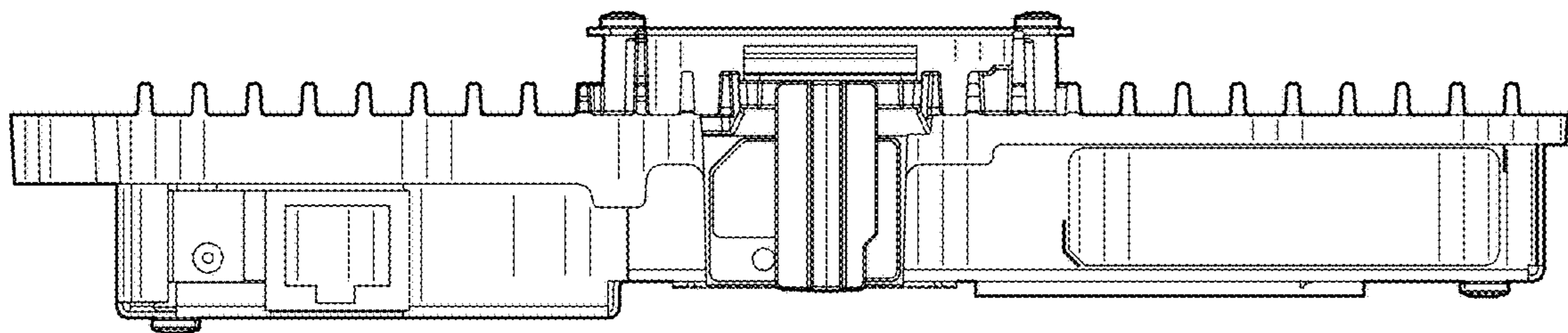


FIG. 8