



US00D791746S

(12) **United States Design Patent**
Blouch et al.

(10) **Patent No.:** **US D791,746 S**
(45) **Date of Patent:** **** Jul. 11, 2017**

(54) **ANTENNA FLUTE**

(71) Applicants: **Susan Blouch**, Oakwood, TX (US);
Roger Blouch, Oakwood, TX (US)

(72) Inventors: **Susan Blouch**, Oakwood, TX (US);
Roger Blouch, Oakwood, TX (US)

(**) Term: **15 Years**

(21) Appl. No.: **29/578,433**

(22) Filed: **Sep. 21, 2016**

(51) **LOC (10) Cl.** **14-03**

(52) **U.S. Cl.**
USPC **D14/230; D14/233; D14/234**

(58) **Field of Classification Search**
USPC D14/138, 230–238, 299, 358; D12/42,
D12/43; 343/700 R–705, 711–713, 735,
343/736, 741, 748, 767, 795, 819, 840,
343/846, 866, 871–908; 455/90.2, 90.3,
455/91, 128, 269, 344, 347, 562.1
CPC H01Q 7/00; H01Q 13/10; H01Q 9/285;
H01Q 19/30; H01Q 19/12; H01Q 1/38;
H01Q 1/36; H04B 1/0475; H04B 1/034;
H05K 11/00

See application file for complete search history.

2,980,909 A * 4/1961 Clanton, Jr. H01Q 1/428
343/705

3,083,364 A * 3/1963 Scheldorf H01Q 1/362
343/843

3,175,220 A * 3/1965 Schetne H01Q 1/421
343/705

D208,772 S * 10/1967 McVey D14/233

D209,506 S * 12/1967 Gaida D14/233

3,795,914 A * 3/1974 Pickles H01Q 3/14
342/399

3,829,863 A * 8/1974 Lipsky H01Q 21/24
343/726

D284,965 S * 8/1986 Nakamura D14/233

D288,443 S * 2/1987 Carr D14/233

D311,540 S * 10/1990 Wickrema D14/233

D394,826 S * 6/1998 Speedling D11/131

D604,277 S * 11/2009 Benedetti D14/230

* cited by examiner

Primary Examiner — John Windmuller
(74) *Attorney, Agent, or Firm* — Law Office of Jeff
Williams; J. Oliver Williams

(57) **CLAIM**

The ornamental design for an antenna flute, as shown and
described.

DESCRIPTION

FIG. 1 is an oblique view of an antenna flute according to the
present application.
FIG. 2 is a front view of the antenna flute of FIG. 1.
FIG. 3 is a rear view of the antenna flute of FIG. 1.
FIG. 4 is a right view of the antenna flute of FIG. 1.
FIG. 5 is a left view of the antenna flute of FIG. 1.
FIG. 6 is a top view of the antenna flute of FIG. 1; and,
FIG. 7 is a bottom view of the antenna flute of FIG. 1.

1 Claim, 6 Drawing Sheets

(56) **References Cited**

U.S. PATENT DOCUMENTS

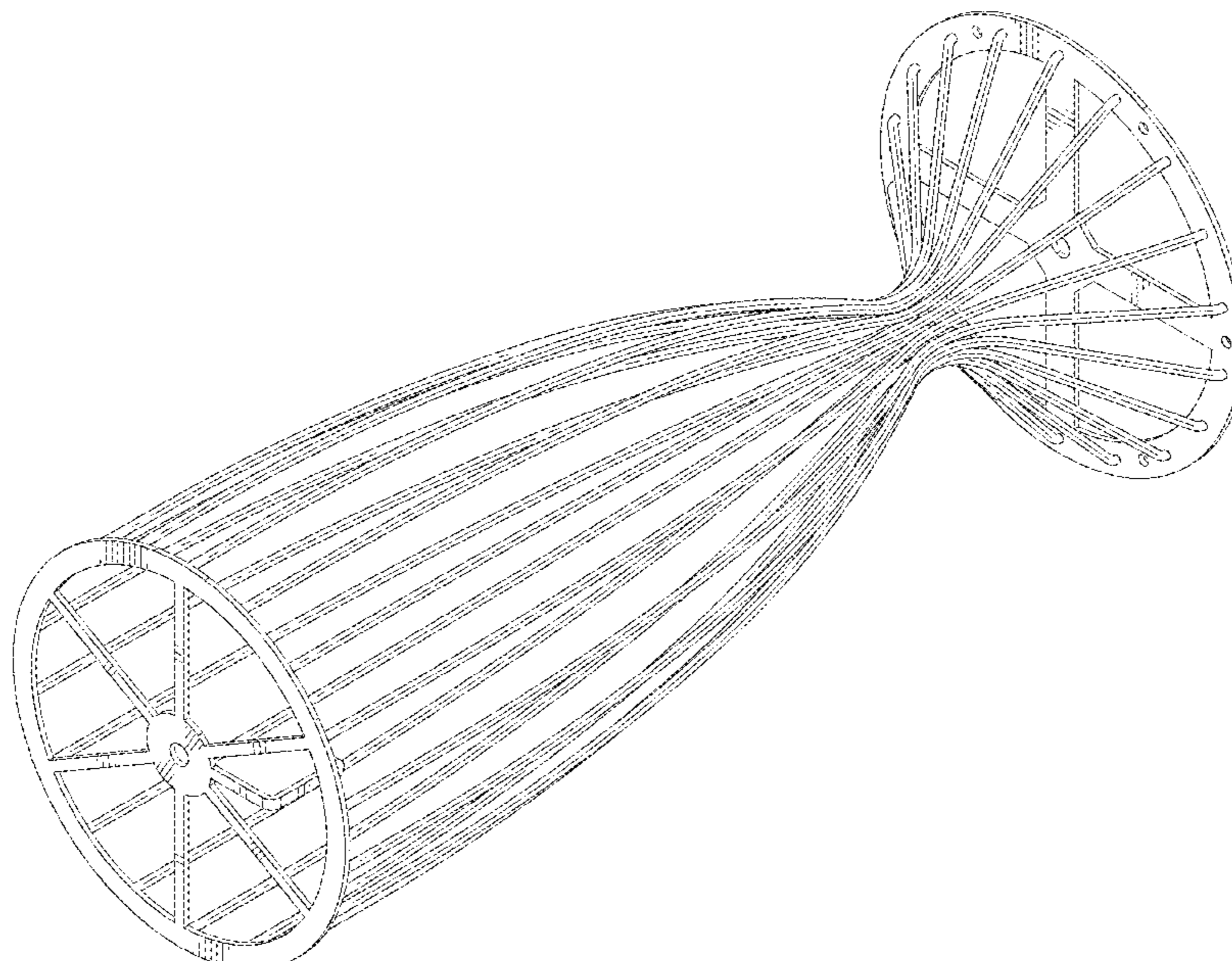
204,179 A * 5/1878 Wilson D06F 57/04
211/197

831,678 A * 9/1906 Osborne A01M 21/046
343/700 R

D171,477 S * 2/1954 Anderson D14/233

D174,292 S * 3/1955 Perez D14/233

2,801,412 A * 7/1957 Maybury H01Q 19/08
343/753



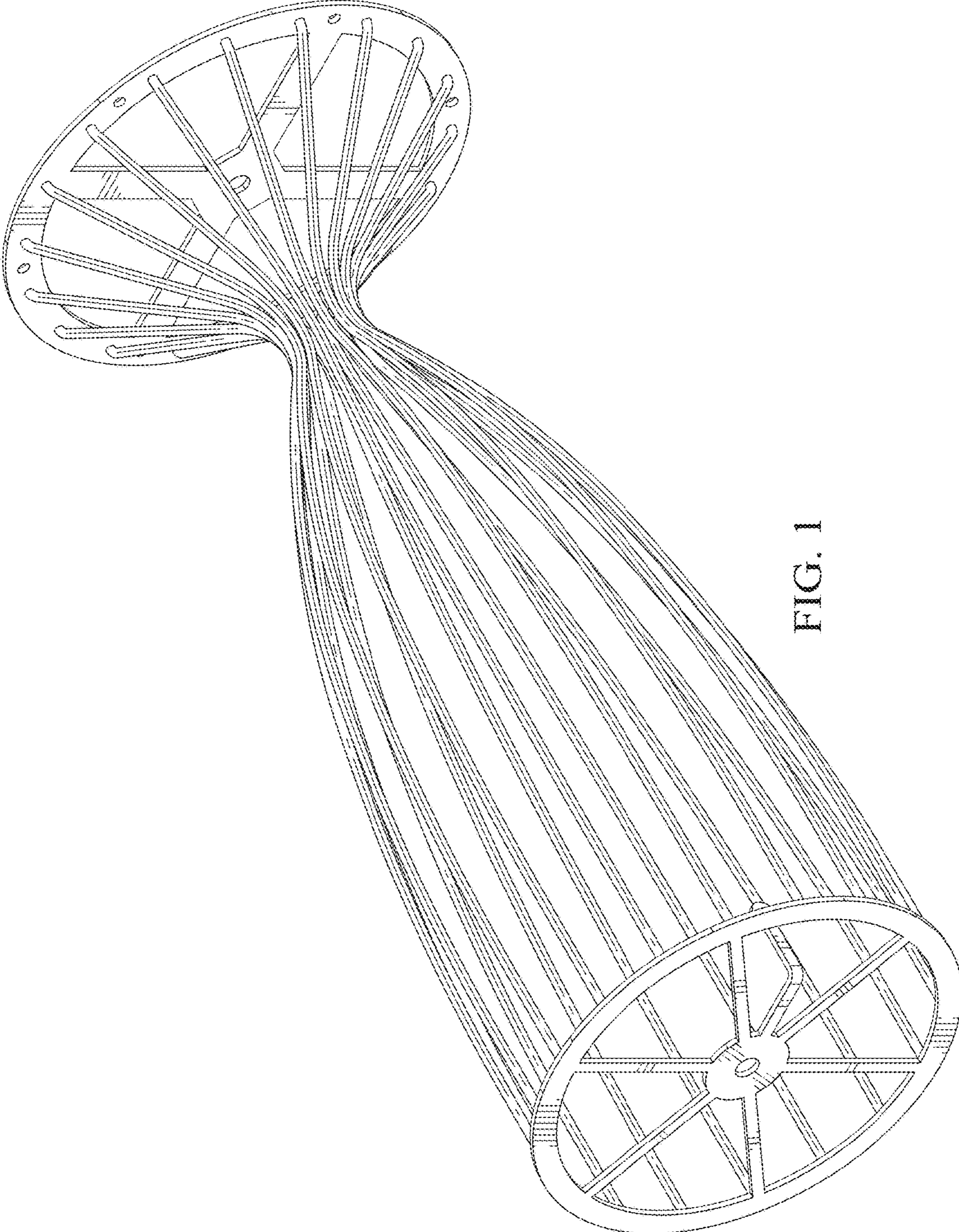


FIG. 1

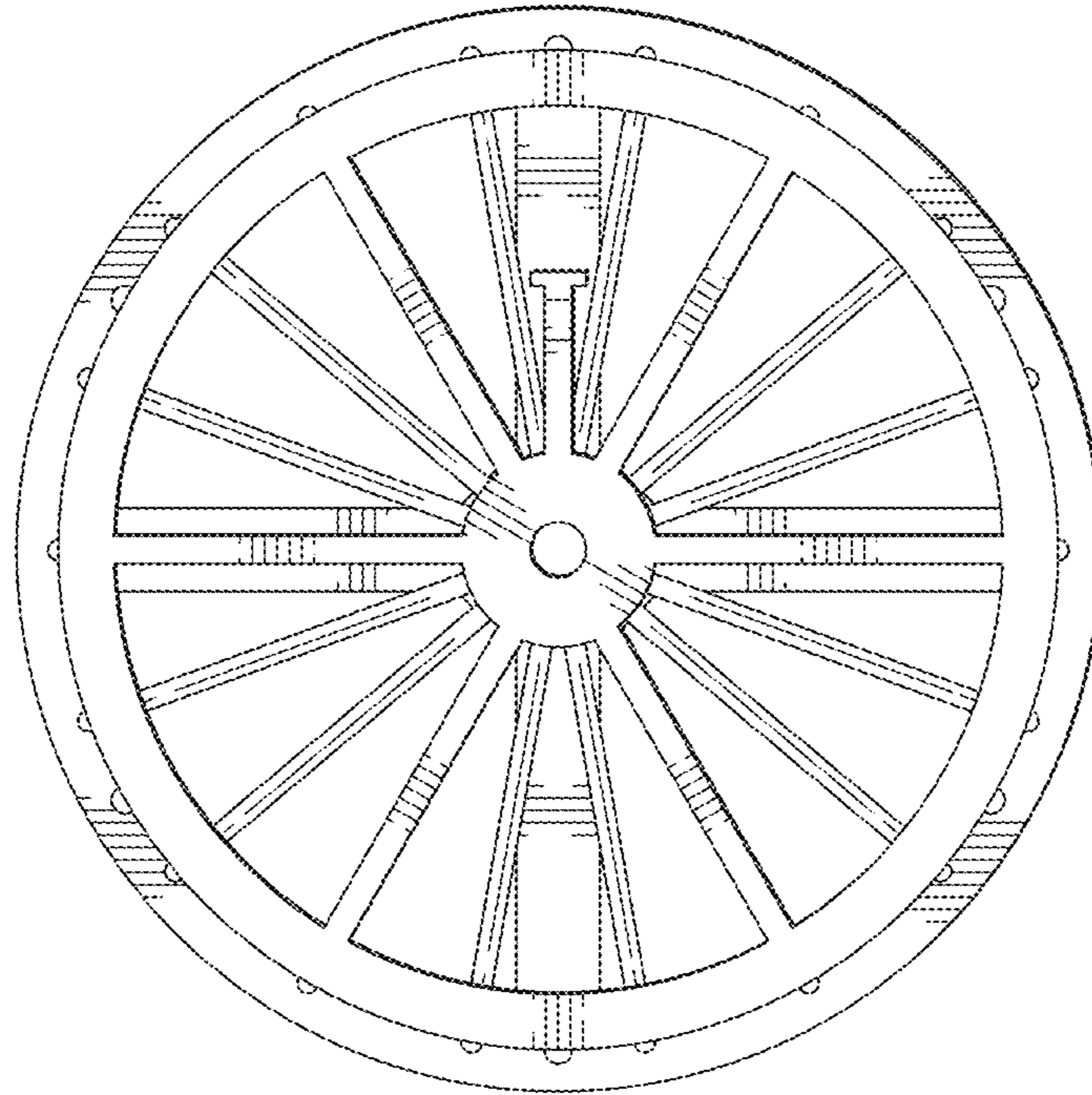


FIG. 3

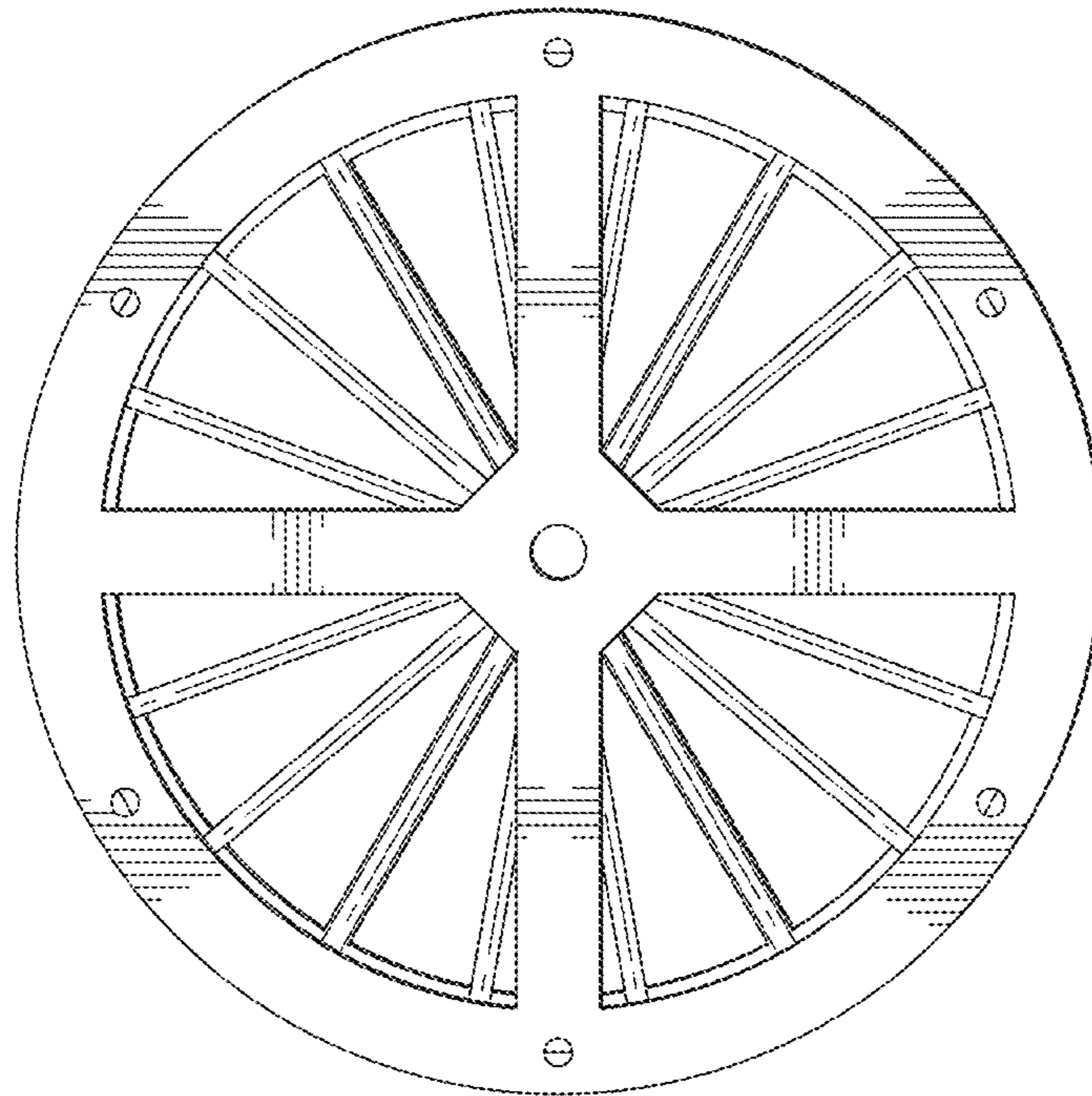


FIG. 2

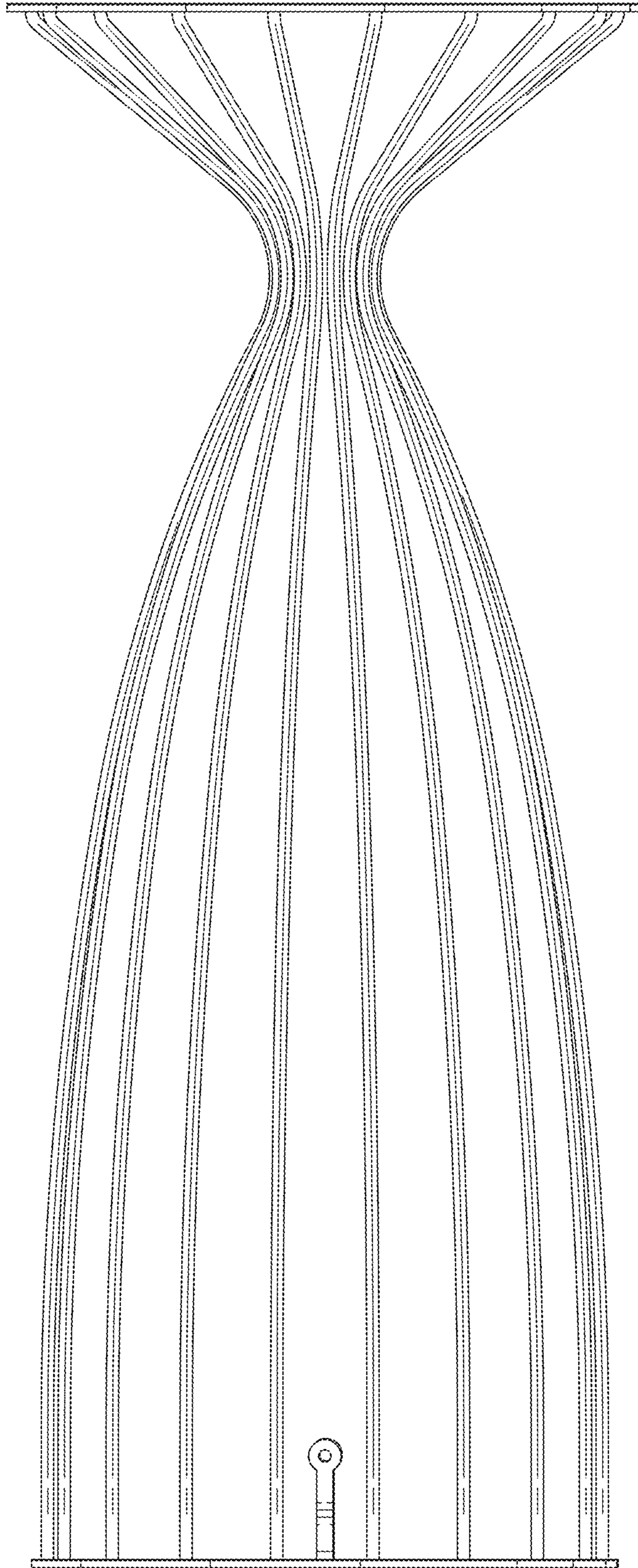


FIG. 4

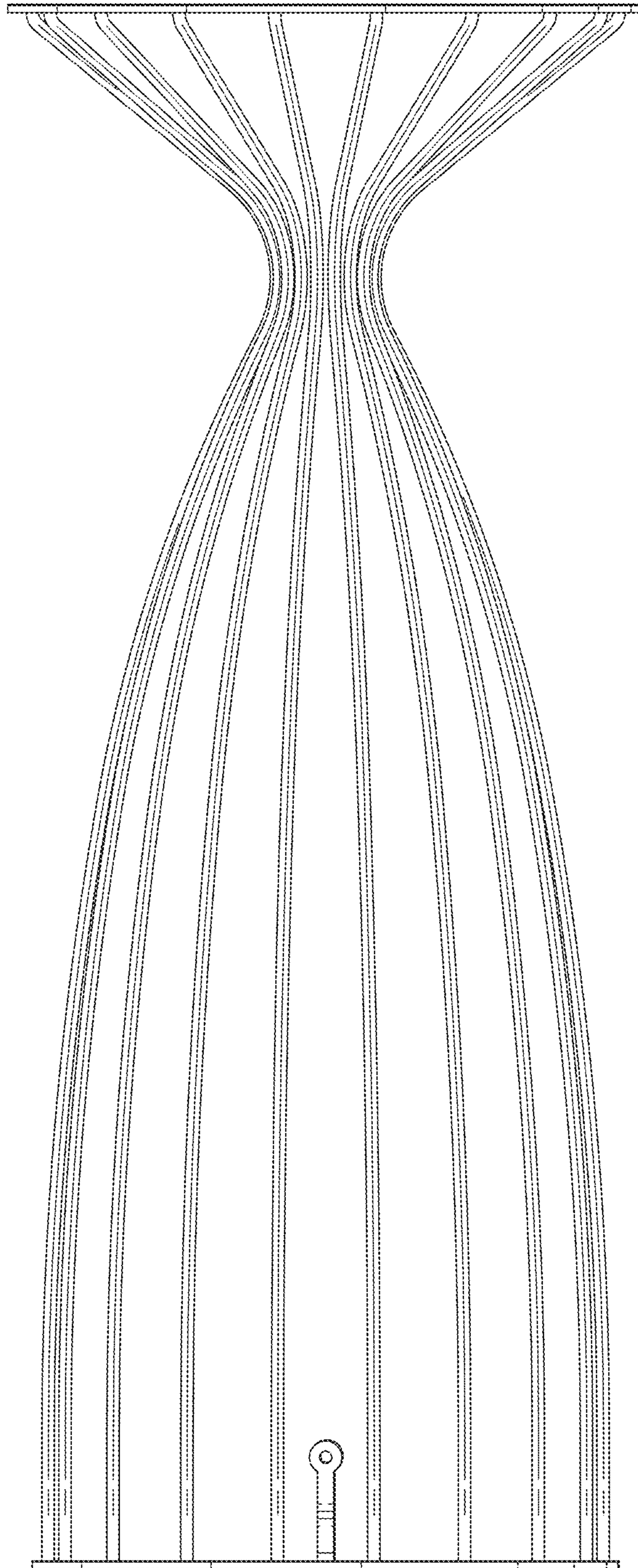


FIG. 5

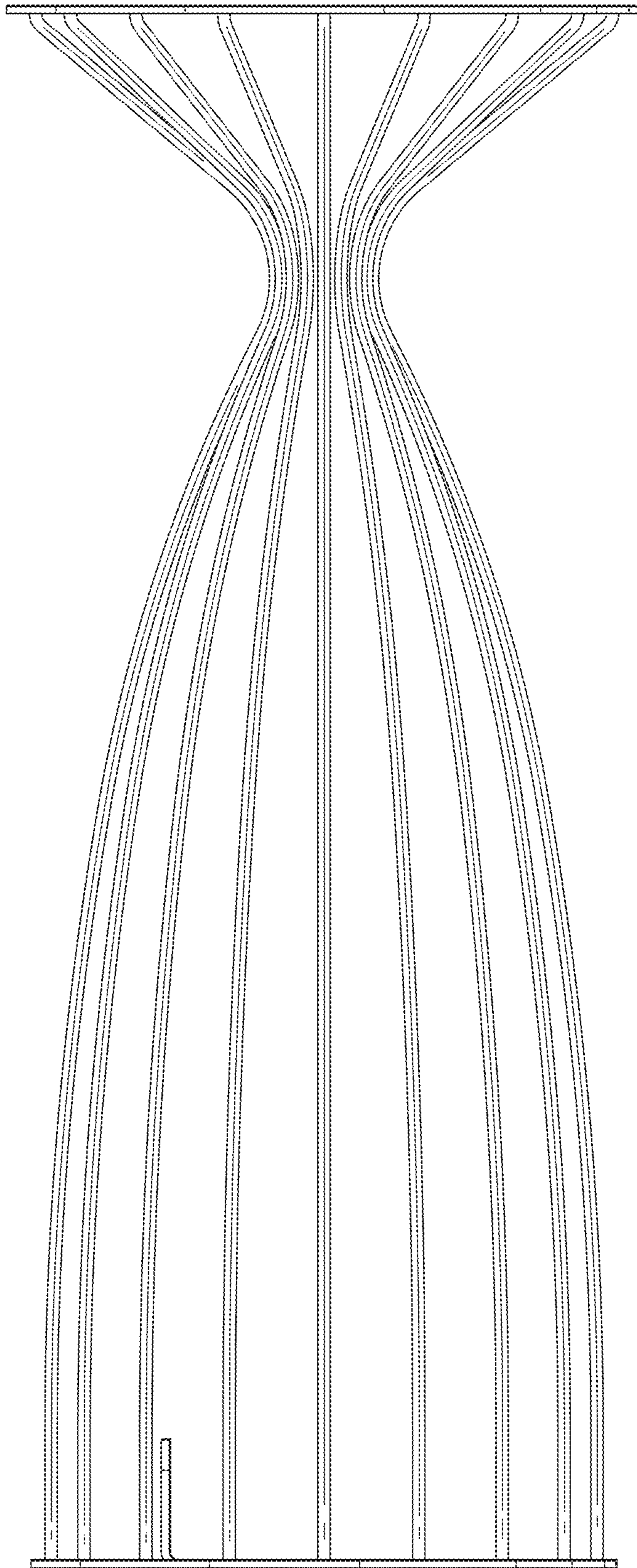


FIG. 6

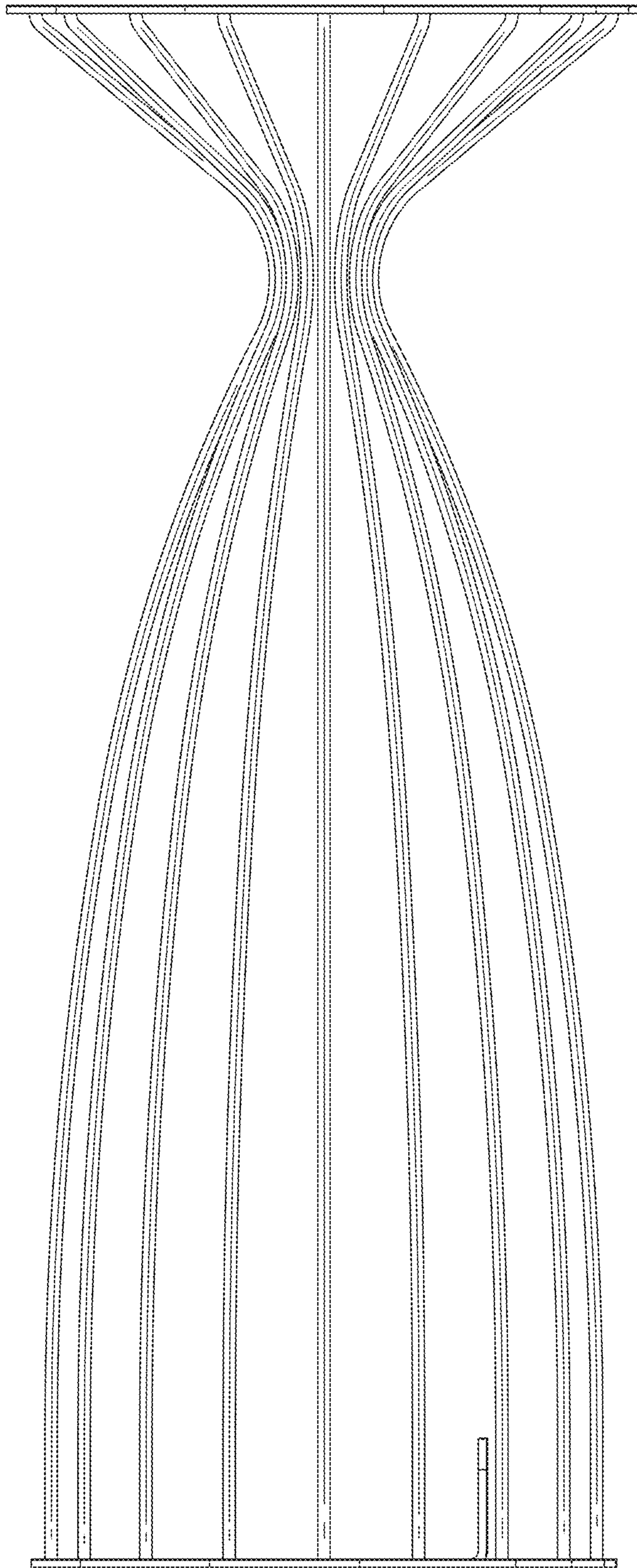


FIG. 7