



US00D791742S

(12) **United States Design Patent**
Lai et al.

(10) **Patent No.:** **US D791,742 S**
(45) **Date of Patent:** **** Jul. 11, 2017**

(54) **WIRELESS HEAD FOR MICROPHONE**
(71) Applicant: **HON HAI PRECISION INDUSTRY CO., LTD.,** New Taipei (TW)
(72) Inventors: **Chun-Hung Lai,** New Taipei (TW);
Wen-Liang Tseng, New Taipei (TW);
Meng-Feng Kuo, New Taipei (TW);
Chih-Chun Chang, New Taipei (TW);
Kuo-Chun Huang, New Taipei (TW);
Han-Chen Chang, New Taipei (TW)
(73) Assignee: **HON HAI PRECISION INDUSTRY CO., LTD.,** New Taipei (TW)

3,007,012 A * 10/1961 Olson H04R 19/04
381/174
3,105,938 A * 10/1963 Onnigian H04B 1/034
331/116 R
3,536,863 A * 10/1970 Schenkel H04R 1/222
381/165
3,564,416 A * 2/1971 Price H04B 5/06
455/117
3,718,862 A * 2/1973 Norris H04B 5/06
455/117
D228,193 S * 8/1973 Pryne D14/228
4,396,800 A * 8/1983 McDonnell H04R 3/005
379/167.01
D277,852 S * 3/1985 Watson D14/228
4,682,139 A * 7/1987 Kuo H01R 13/68
337/186

(**) Term: **15 Years**
(21) Appl. No.: **29/547,701**
(22) Filed: **Dec. 7, 2015**

(Continued)

Primary Examiner — Paula Greene
(74) *Attorney, Agent, or Firm* — Steven Reiss

(30) **Foreign Application Priority Data**
Sep. 24, 2015 (TW) 104305331
(51) **LOC (10) Cl.** **14-01**
(52) **U.S. Cl.**
USPC **D14/225; D14/229**
(58) **Field of Classification Search**
USPC D14/155, 225, 227-229, 240, 243, 256,
D14/140; D13/108, 110, 144, 184;
181/158, 242; 381/77, 91, 111, 122, 174,
381/355, 369; 455/95, 100, 569.2, 550.1
CPC H04R 3/00; H04R 11/04; H01R 39/00;
H01R 3/00; H04M 9/00
See application file for complete search history.

(57) **CLAIM**

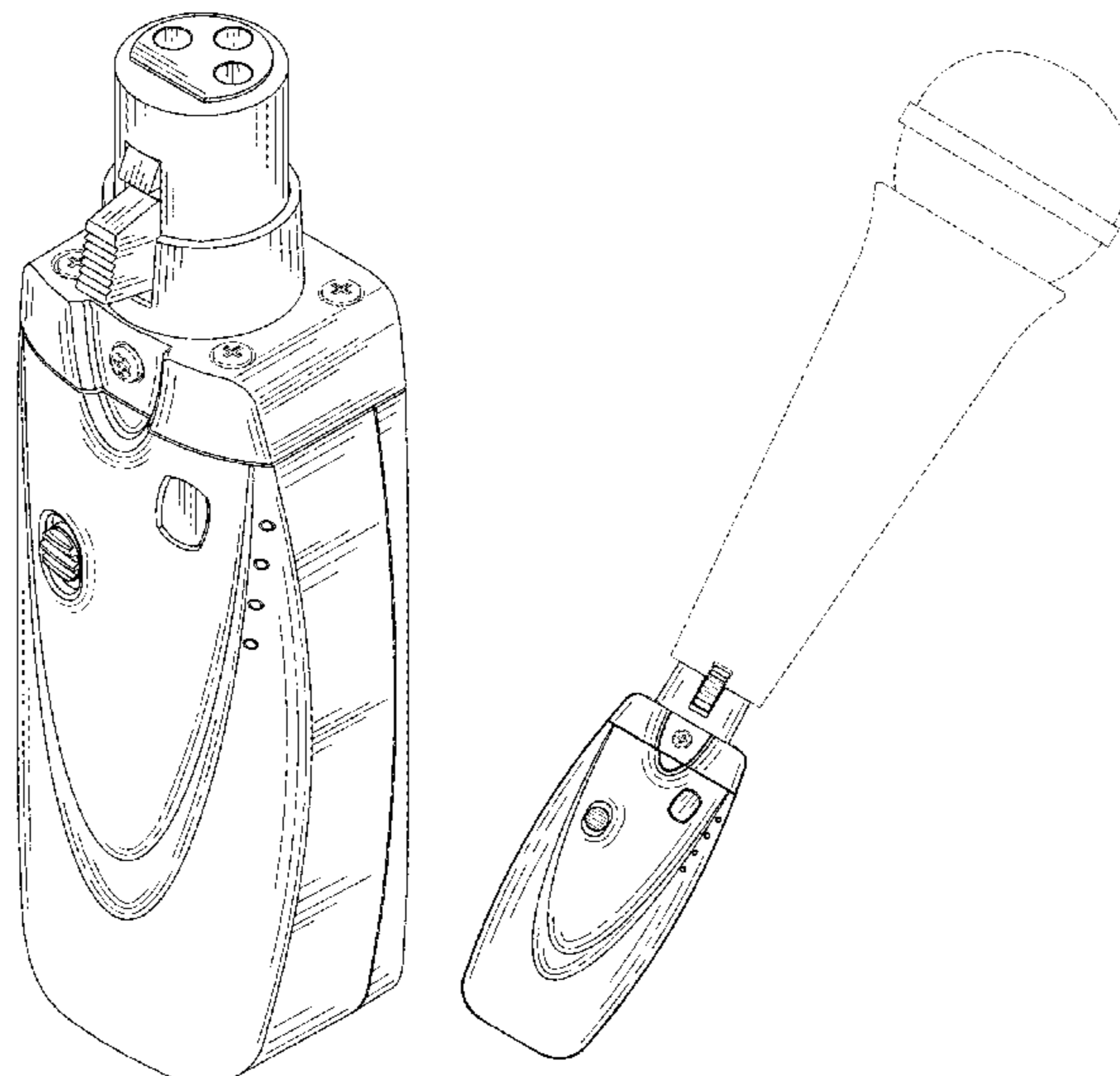
The design for a wireless head for microphone, as shown and as described.

DESCRIPTION

FIG. 1 is a perspective view of the wireless head for microphone;
FIG. 2 is a front elevational view thereof;
FIG. 3 is a rear elevational view thereof;
FIG. 4 is a left side elevational view thereof;
FIG. 5 is a right side elevational view thereof;
FIG. 6 is a top plan view thereof;
FIG. 7 is a bottom plan view thereof; and,
FIG. 8 is a perspective view of a using state of the wireless head for microphone.
The broken lines in the drawings are employed to show unclaimed portions and environment of the wireless head for microphone, and form no part of the claimed design.

(56) **References Cited**
U.S. PATENT DOCUMENTS
2,521,423 A * 9/1950 Stuck H01M 2/1022
334/76
2,840,694 A * 6/1958 Morgan H01Q 1/273
343/702

1 Claim, 8 Drawing Sheets



(56)

References Cited

U.S. PATENT DOCUMENTS

4,910,795 A * 3/1990 McCowen H04R 1/083
 381/355
 5,268,965 A * 12/1993 Badie H04R 1/38
 381/122
 5,313,514 A * 5/1994 Kanasashi H04R 1/326
 379/406.01
 D347,635 S * 6/1994 van Wijnen D14/140
 D349,096 S * 7/1994 Hyvonen D13/107
 D356,571 S * 3/1995 Garmon D14/225
 D370,011 S * 5/1996 Lindeman D14/137
 D384,937 S * 10/1997 Liu D13/108
 D412,705 S * 8/1999 Laiacona D14/172
 6,000,948 A * 12/1999 Peterson H04R 1/08
 439/22
 D439,852 S * 4/2001 Hisatsune D10/104.1
 D442,932 S * 5/2001 Koike D14/155
 6,232,785 B1 * 5/2001 Kelsey G01R 31/02
 324/511
 D449,041 S * 10/2001 Koike D14/228

D455,712 S * 4/2002 Hsiao D13/108
 D461,176 S * 8/2002 Siokola D14/155
 D480,060 S * 9/2003 Siokola D14/155
 D494,541 S * 8/2004 Hriscu D13/110
 D549,209 S * 8/2007 Bauman D14/155
 D583,806 S * 12/2008 Okazaki D14/225
 D592,633 S * 5/2009 Hyneczek D14/155
 D599,786 S * 9/2009 Metlen D14/225
 D604,723 S * 11/2009 Bodley D14/225
 7,769,408 B2 * 8/2010 Hansson H04M 1/0285
 455/550.1
 7,844,303 B2 * 11/2010 Jubelirer H04B 1/034
 248/229.1
 D649,139 S * 11/2011 Waay D14/225
 8,180,087 B2 * 5/2012 Wu H01R 31/06
 381/122
 D694,221 S * 11/2013 Shears D14/225
 2005/0157892 A1 * 7/2005 Chiu H04B 5/06
 381/111
 2011/0044477 A1 * 2/2011 Huang H04R 1/083
 381/122

* cited by examiner

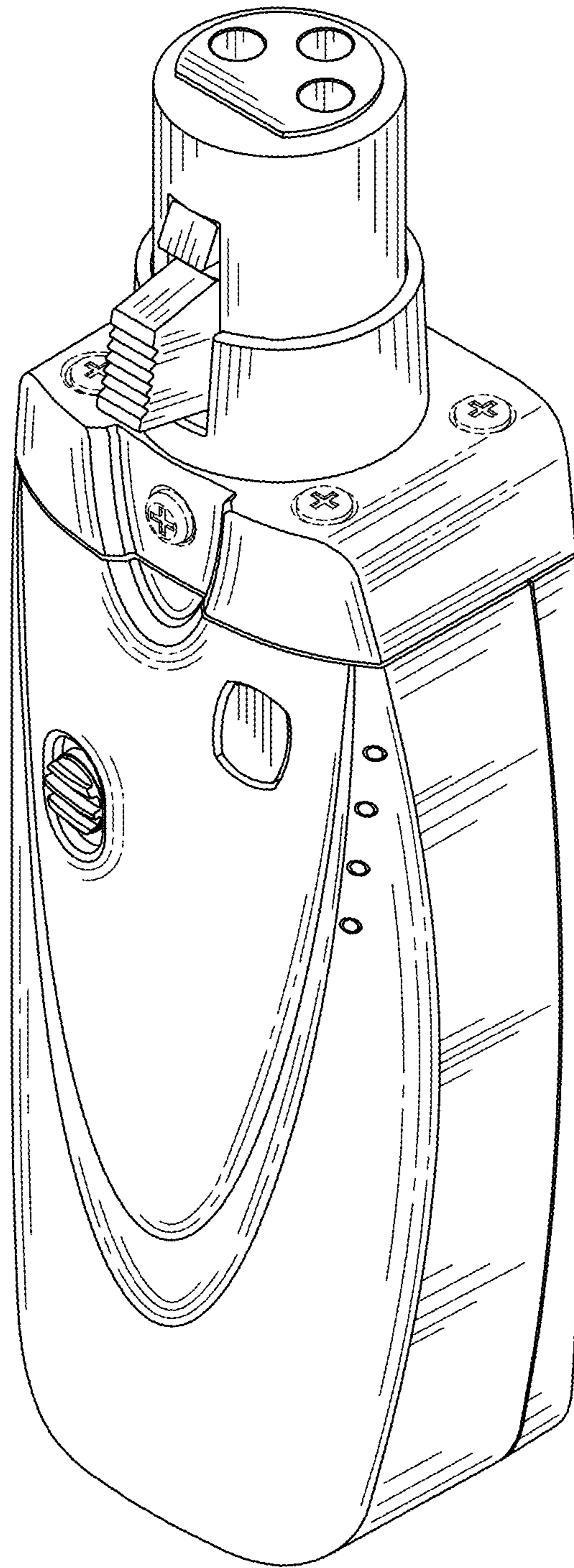


FIG. 1

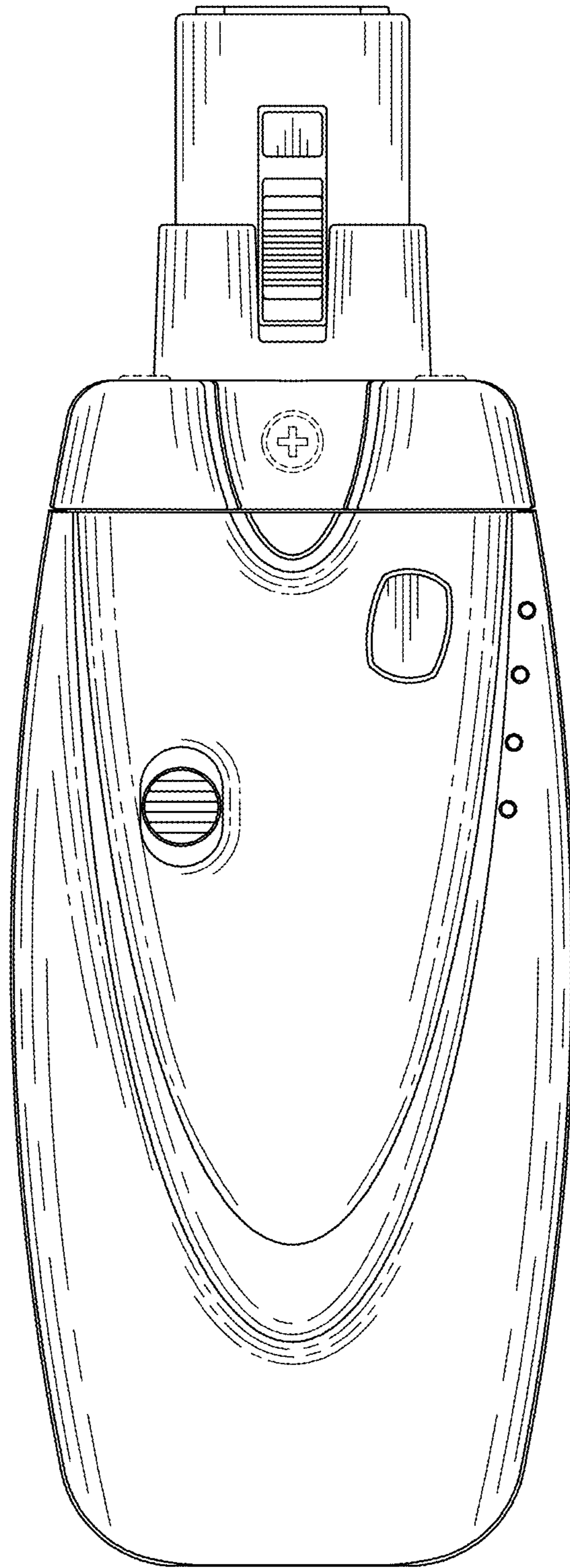


FIG. 2

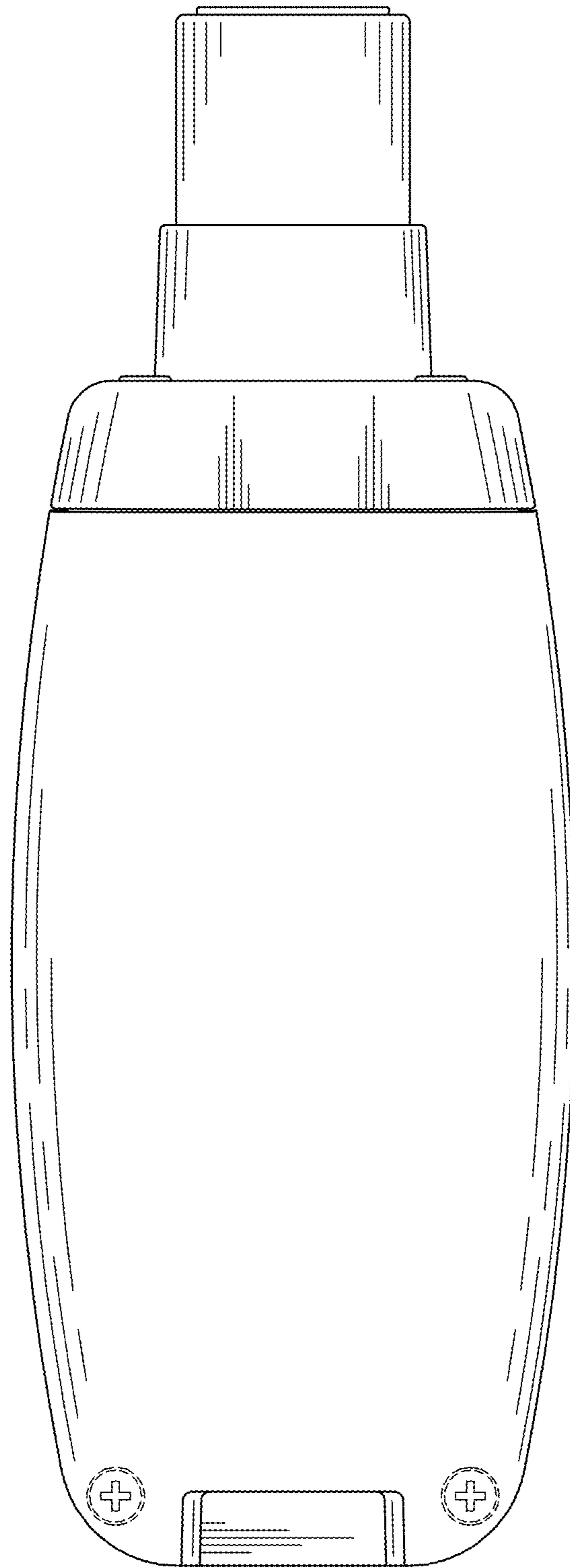


FIG. 3

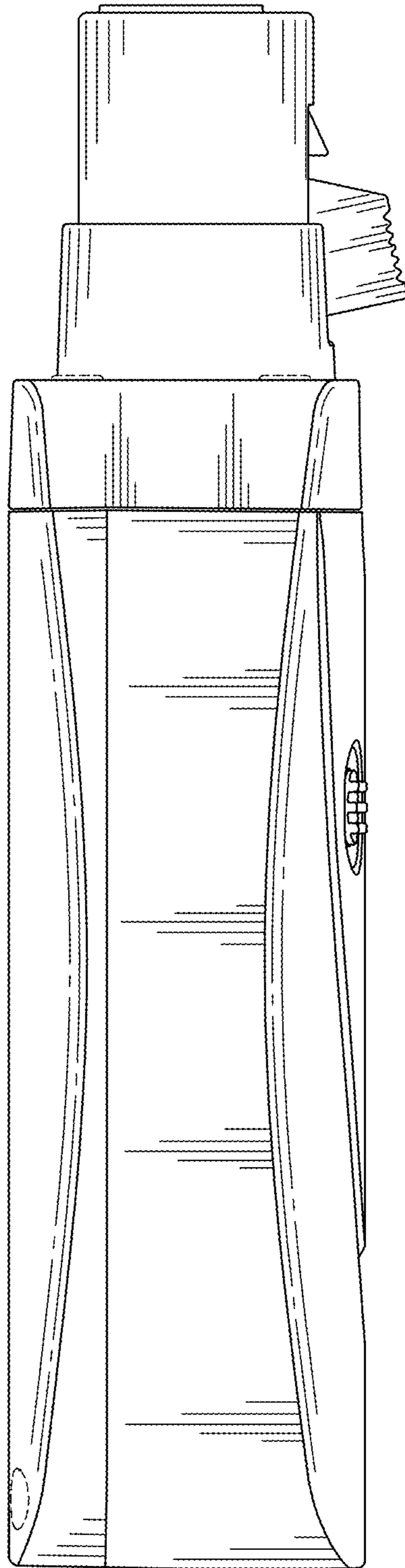


FIG. 4

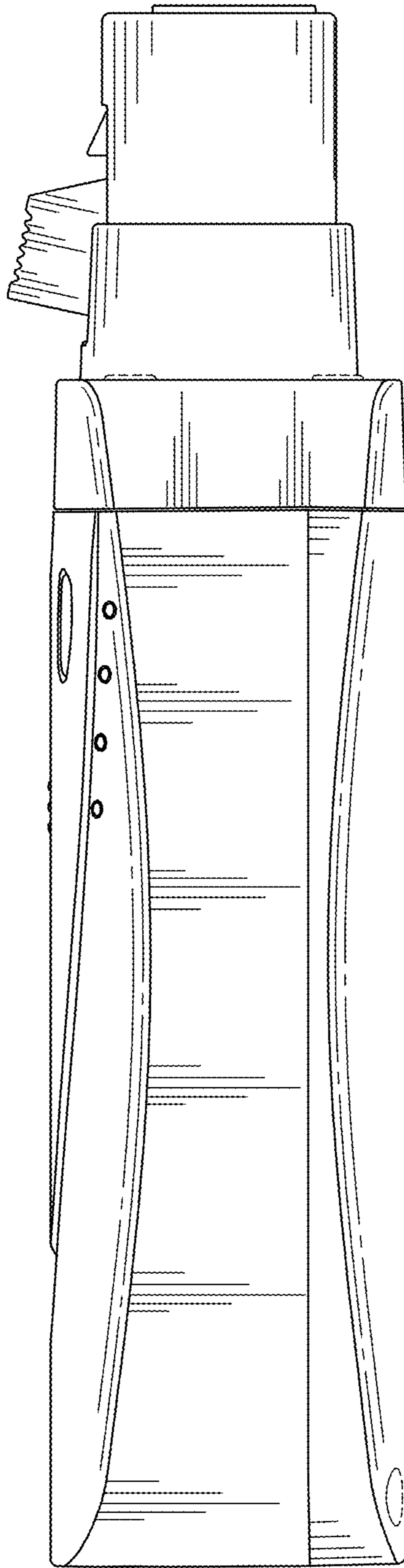


FIG. 5

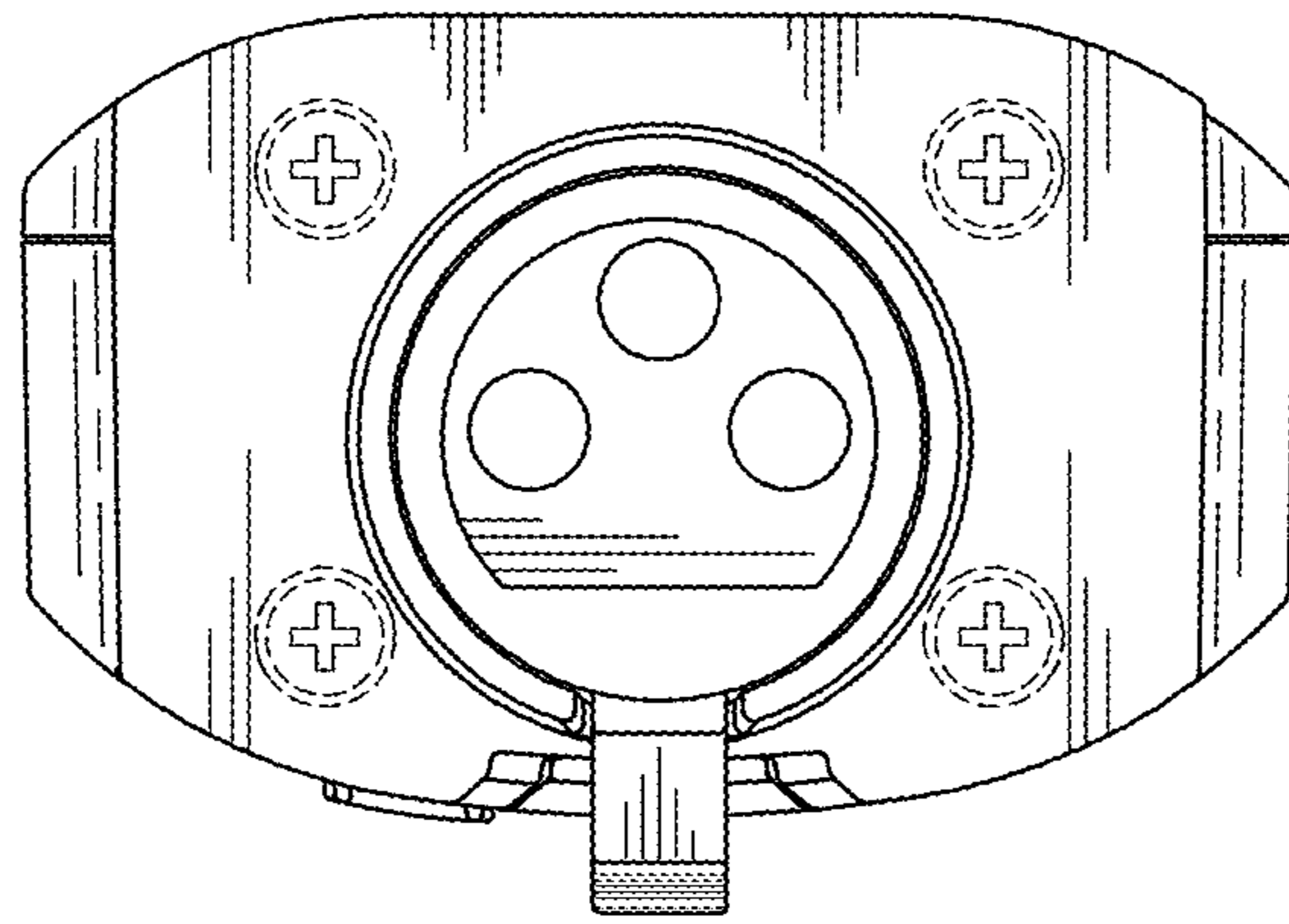


FIG. 6

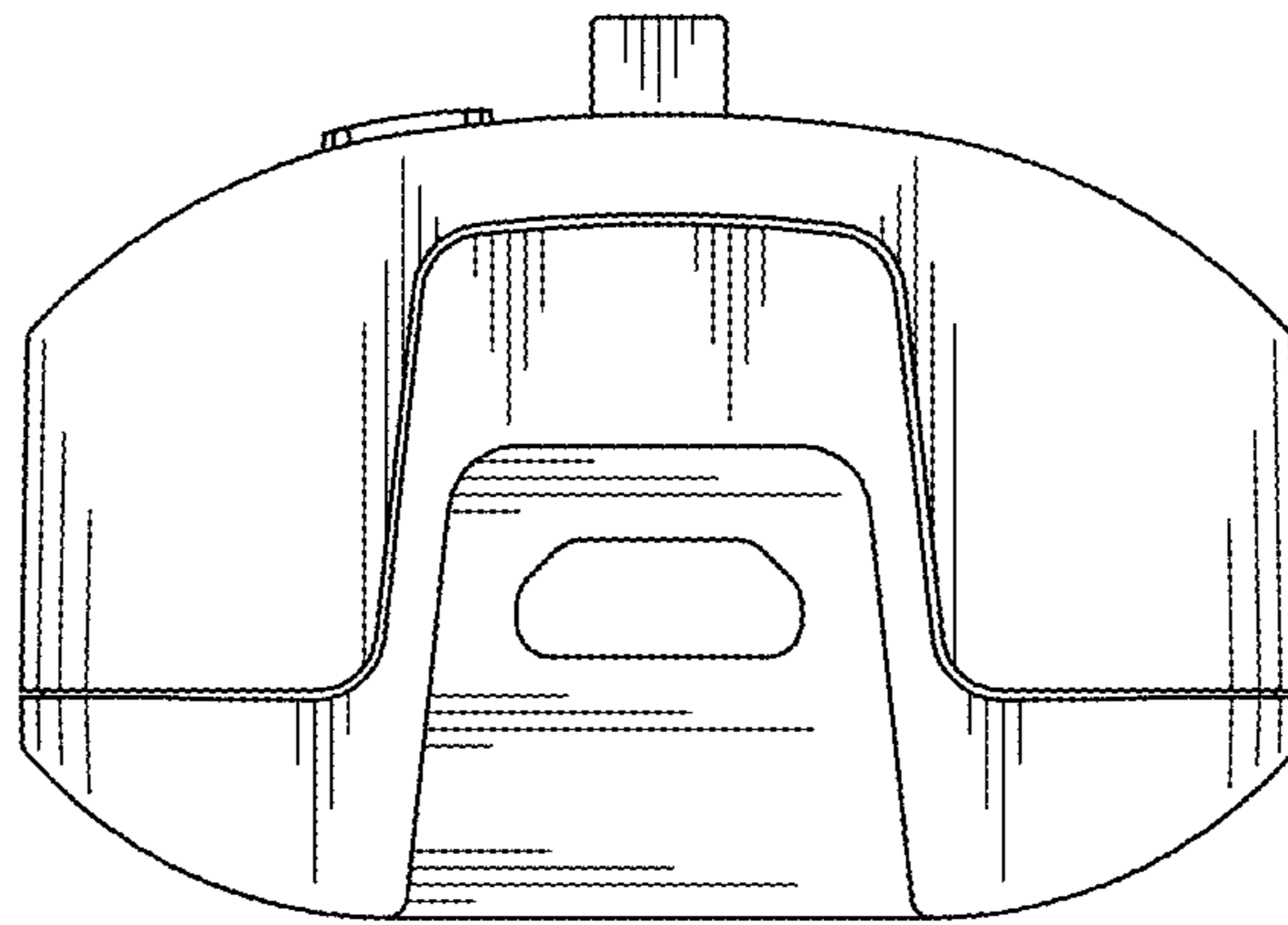


FIG. 7

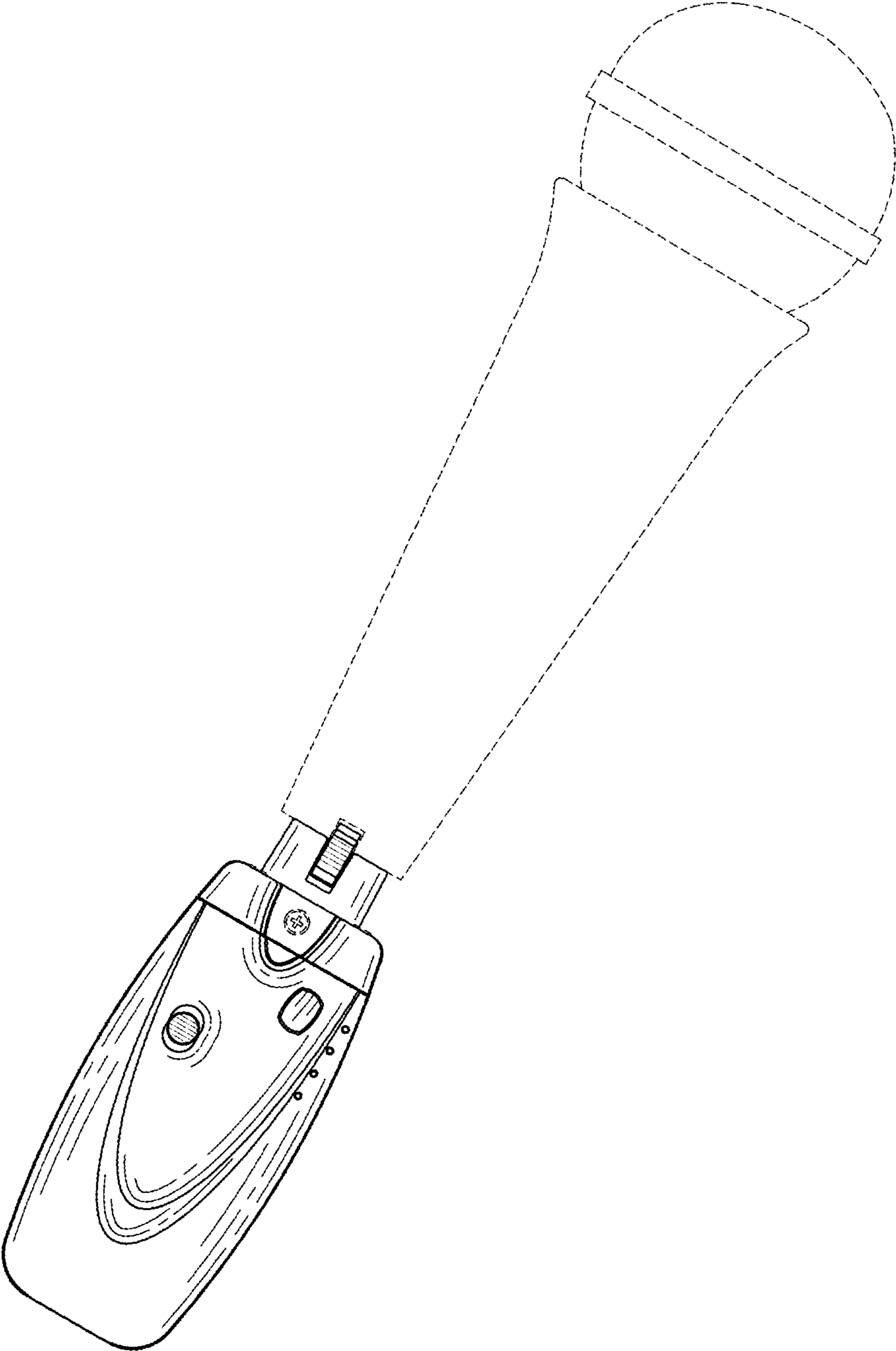


FIG. 8