



US00D791740S

(12) **United States Design Patent**  
**Fuller**

(10) **Patent No.:** **US D791,740 S**

(45) **Date of Patent:** **\*\* Jul. 11, 2017**

(54) **MAGNETIC ASSEMBLY FOR SPEAKER DEVICE**

(71) Applicant: **Jacob Aaron Fuller**, Troutman, NC (US)

(72) Inventor: **Jacob Aaron Fuller**, Troutman, NC (US)

(\*\*) Term: **15 Years**

(21) Appl. No.: **29/565,167**

(22) Filed: **May 18, 2016**

(51) **LOC (10) Cl.** ..... **14-01**

(52) **U.S. Cl.**  
USPC ..... **D14/222**; D14/204; D14/216; D14/217; D14/221

(58) **Field of Classification Search**  
USPC ..... D14/168, 188, 194, 195, 196, 204, 210, D14/211, 212, 213, 214, 215, 216, 221, D14/222

CPC ..... B60R 11/0217; G06F 1/1688; G10K 9/22; G10K 11/004; H03F 1/327; H04M 1/03; H04M 1/035; H04N 5/642; H04N 21/4852; H04S 3/00; H04S 7/30; H04R 1/02; H04R 1/06; H04R 1/021; H04R 1/025; H04R 1/026; H04R 1/028; H04R 1/105; H04R 1/323; H04R 1/403; H04R 1/2803; H04R 1/2834; H04R 5/02; H04R 7/20; H04R 9/06; H04R 9/025; H04R 2201/021; H04R 2400/00; H04R 2400/07; H04R 2499/11; H04R 2499/13; H04R 2499/15

See application file for complete search history.

(56) **References Cited**

**U.S. PATENT DOCUMENTS**

D220,543 S \* 4/1971 Unger ..... D14/188  
D288,560 S \* 3/1987 Anderson ..... D14/212  
D348,066 S \* 6/1994 Lucey ..... D14/205  
D349,499 S \* 8/1994 Collins ..... D14/216  
D387,354 S \* 12/1997 Ueng ..... D14/222

D438,195 S \* 2/2001 Chao ..... D14/222  
D502,169 S \* 2/2005 Yang ..... D14/215  
D518,029 S \* 3/2006 Tsang ..... D14/216  
D577,356 S \* 9/2008 Moon ..... D14/168  
D602,911 S \* 10/2009 Wang ..... D14/216  
D658,156 S \* 4/2012 Olodort ..... D14/205  
D659,681 S \* 5/2012 Suzuki ..... D14/221  
D671,528 S \* 11/2012 Fathollahi ..... D14/211  
D693,330 S \* 11/2013 Lee ..... D14/215  
D695,713 S \* 12/2013 Szymanski ..... D14/216  
D752,551 S \* 3/2016 Wong ..... D14/216  
D771,019 S \* 11/2016 Lee ..... D14/216  
9,571,934 B2 \* 2/2017 Stabile ..... H04R 1/2834

(Continued)

**OTHER PUBLICATIONS**

Hardware Zone—Philips FL3X, announced Jan. 2, 2015 [online], [site visited Mar. 30, 2017]. Available from internet, URL: <<http://www.hardwarezone.com.my/review-philips-fl3x-flexing-music-muscle>>.\*

*Primary Examiner* — Keli L Hill

*Assistant Examiner* — Karra S Johnson

(74) *Attorney, Agent, or Firm* — Seth L. Hudson; Clements Bernard Walker, PLLC

(57) **CLAIM**

The ornamental design for a magnetic assembly for a speaker device, as shown and described.

**DESCRIPTION**

FIG. 1 is a top perspective view of the magnetic assembly for speaker device showing my new design;

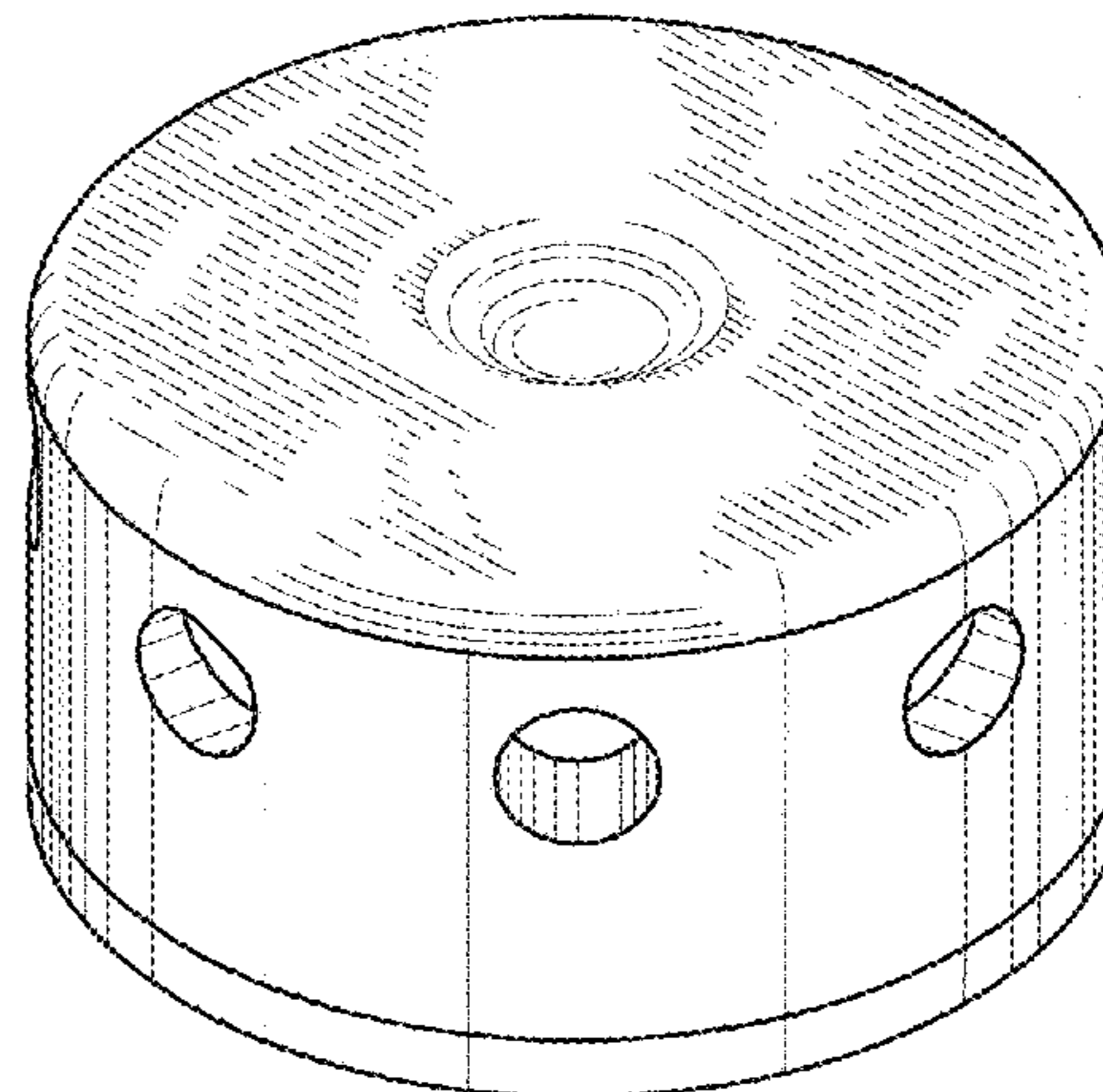
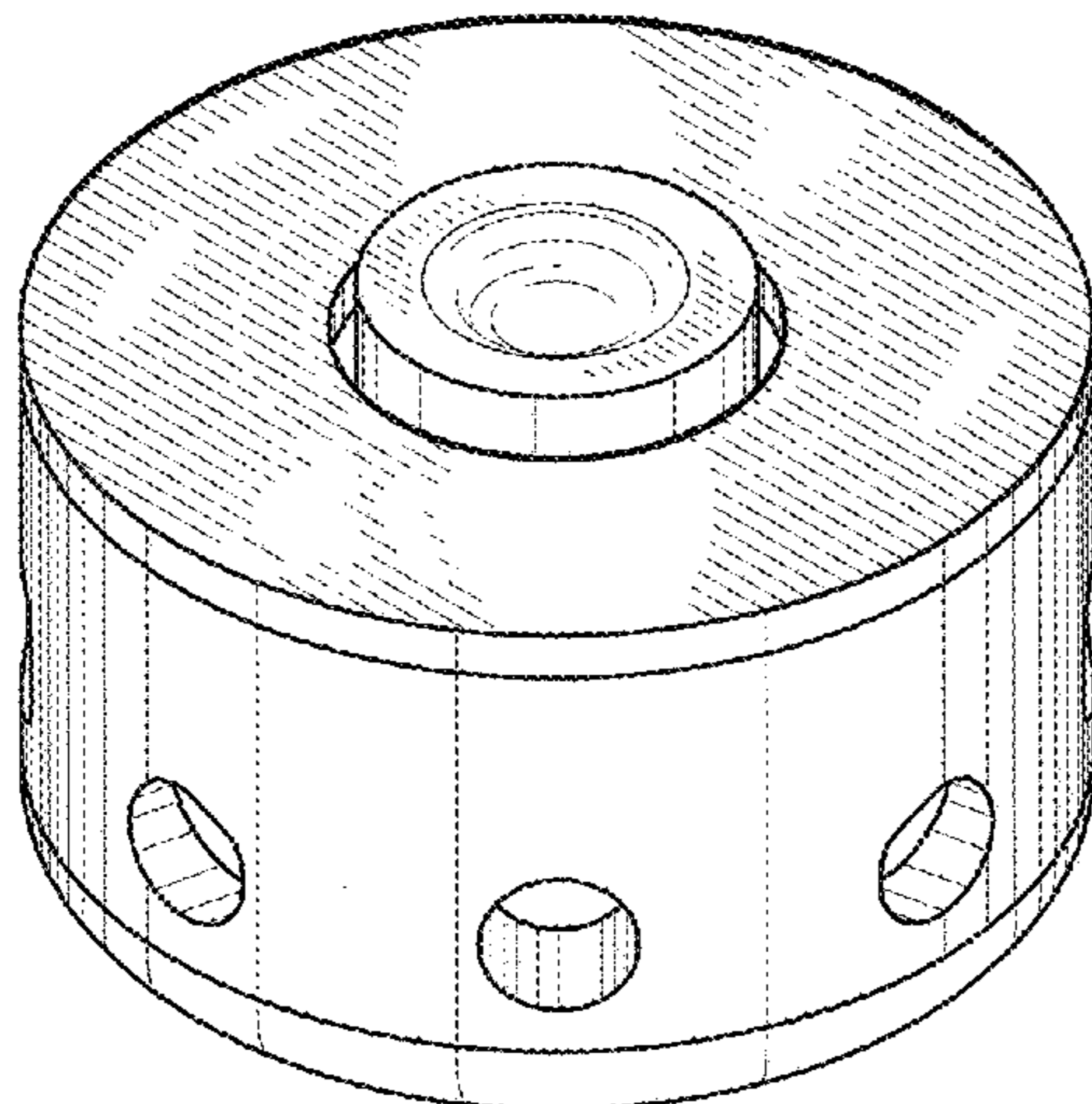
FIG. 2 is a bottom perspective view of the magnetic assembly for speaker device;

FIG. 3 is a side view of the magnetic assembly for speaker device;

FIG. 4 is a top view of the magnetic assembly for speaker device; and,

FIG. 5 is a side view of the magnetic assembly for speaker device.

**1 Claim, 4 Drawing Sheets**



(56)

**References Cited**

U.S. PATENT DOCUMENTS

2015/0312667 A1\* 10/2015 Lei ..... H04R 1/1033  
242/379  
2016/0021461 A1\* 1/2016 Tang ..... H02K 1/34  
381/412

\* cited by examiner

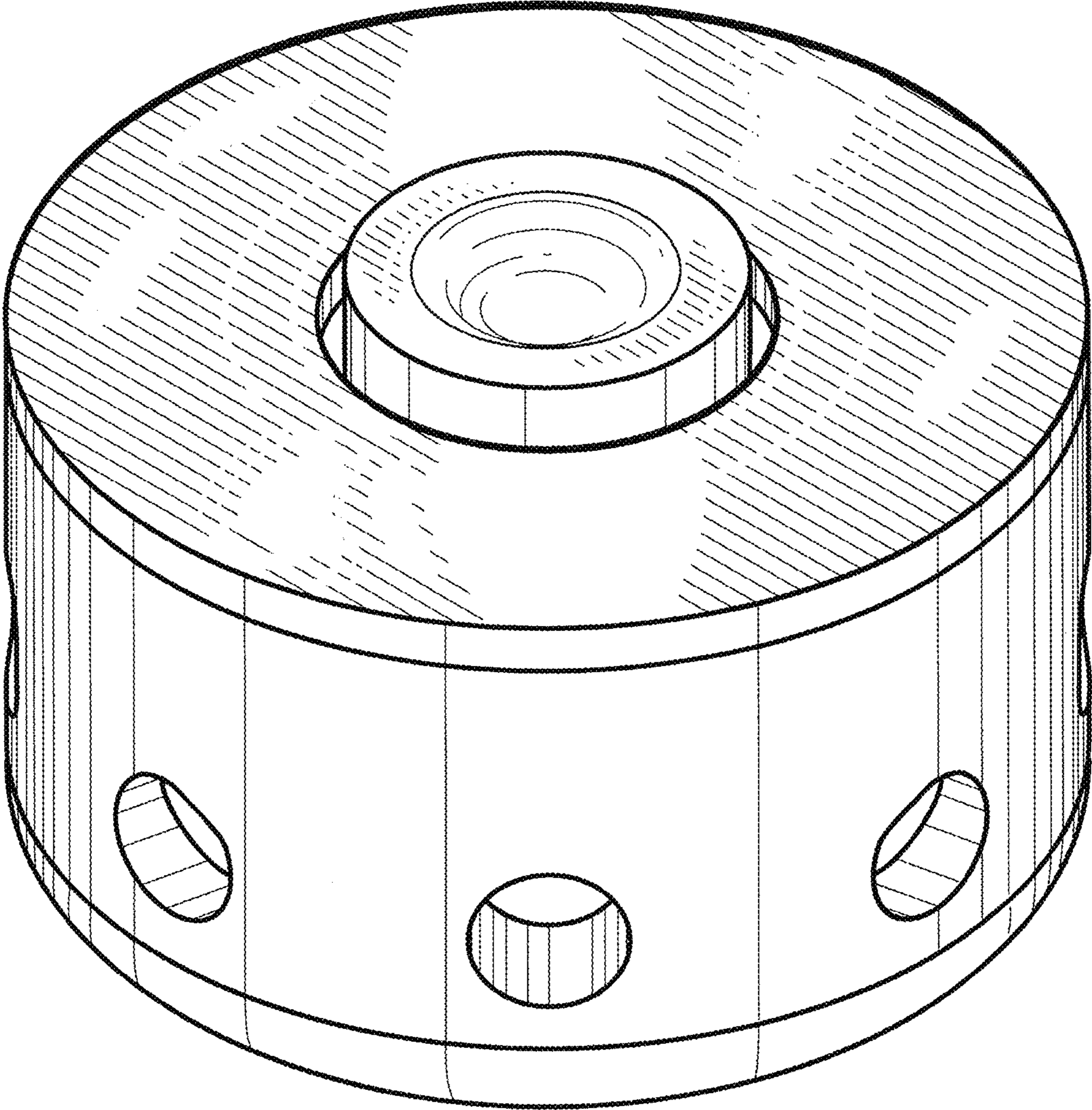


FIG. 1

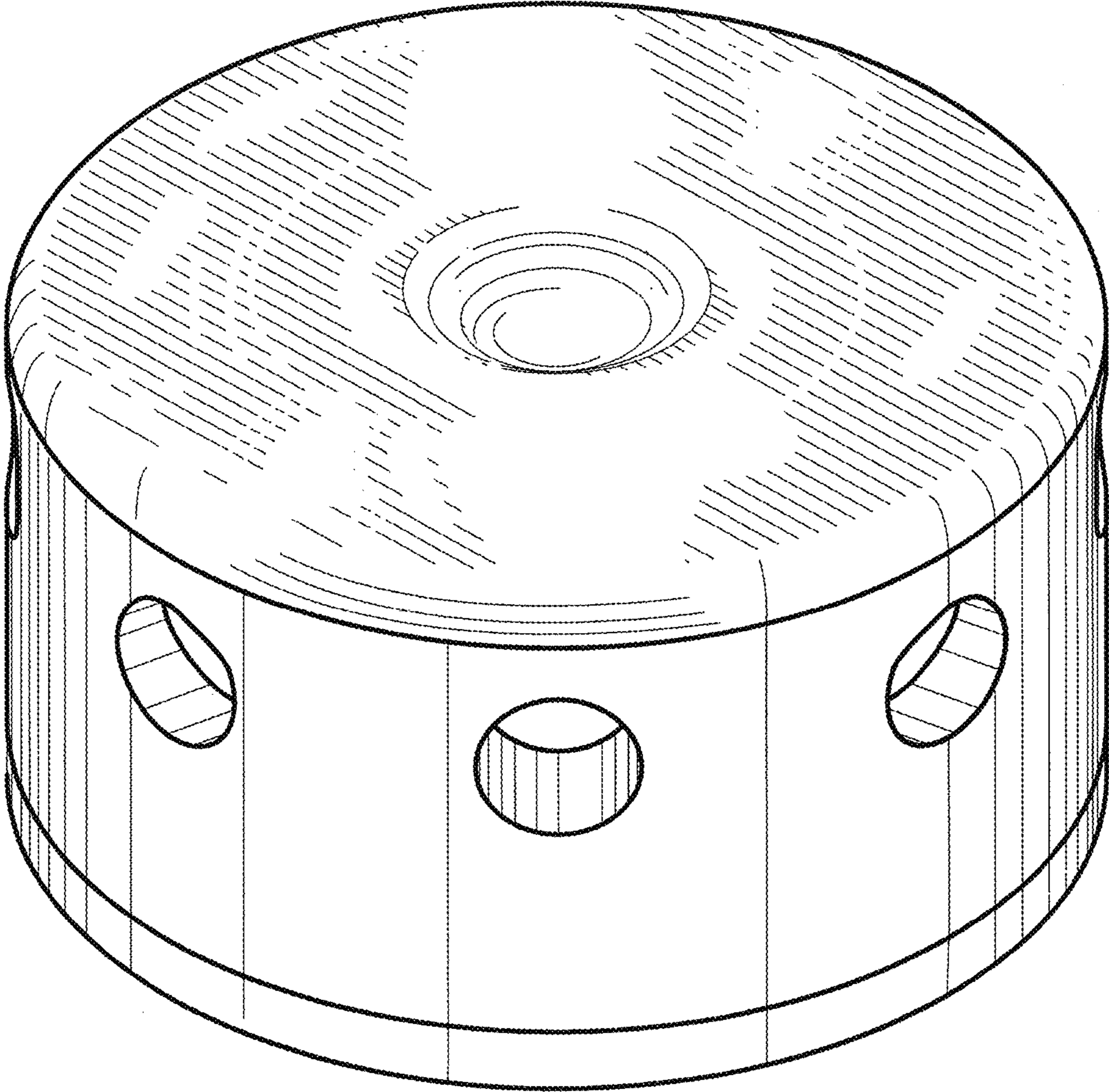


FIG. 2

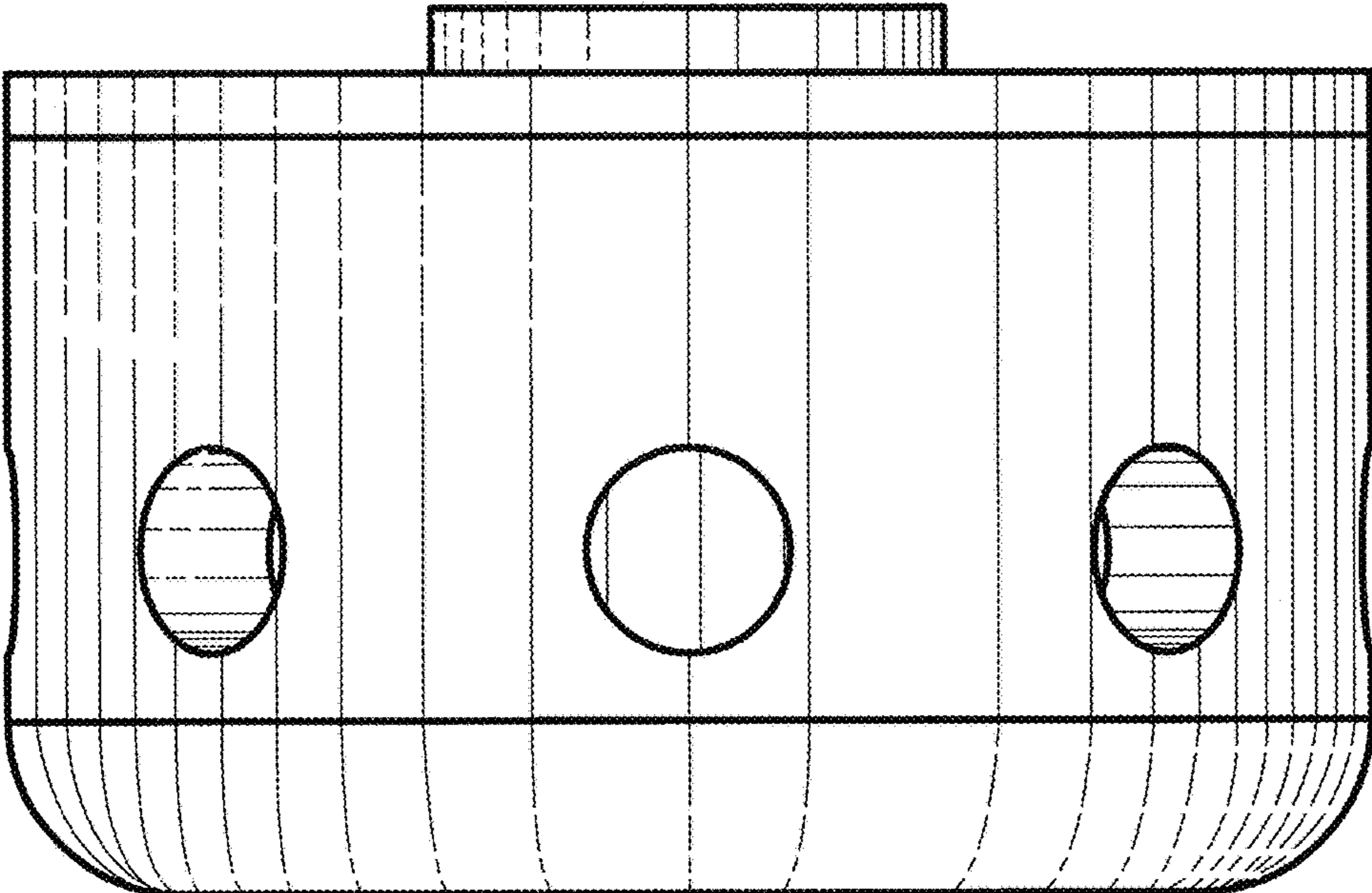


FIG. 3

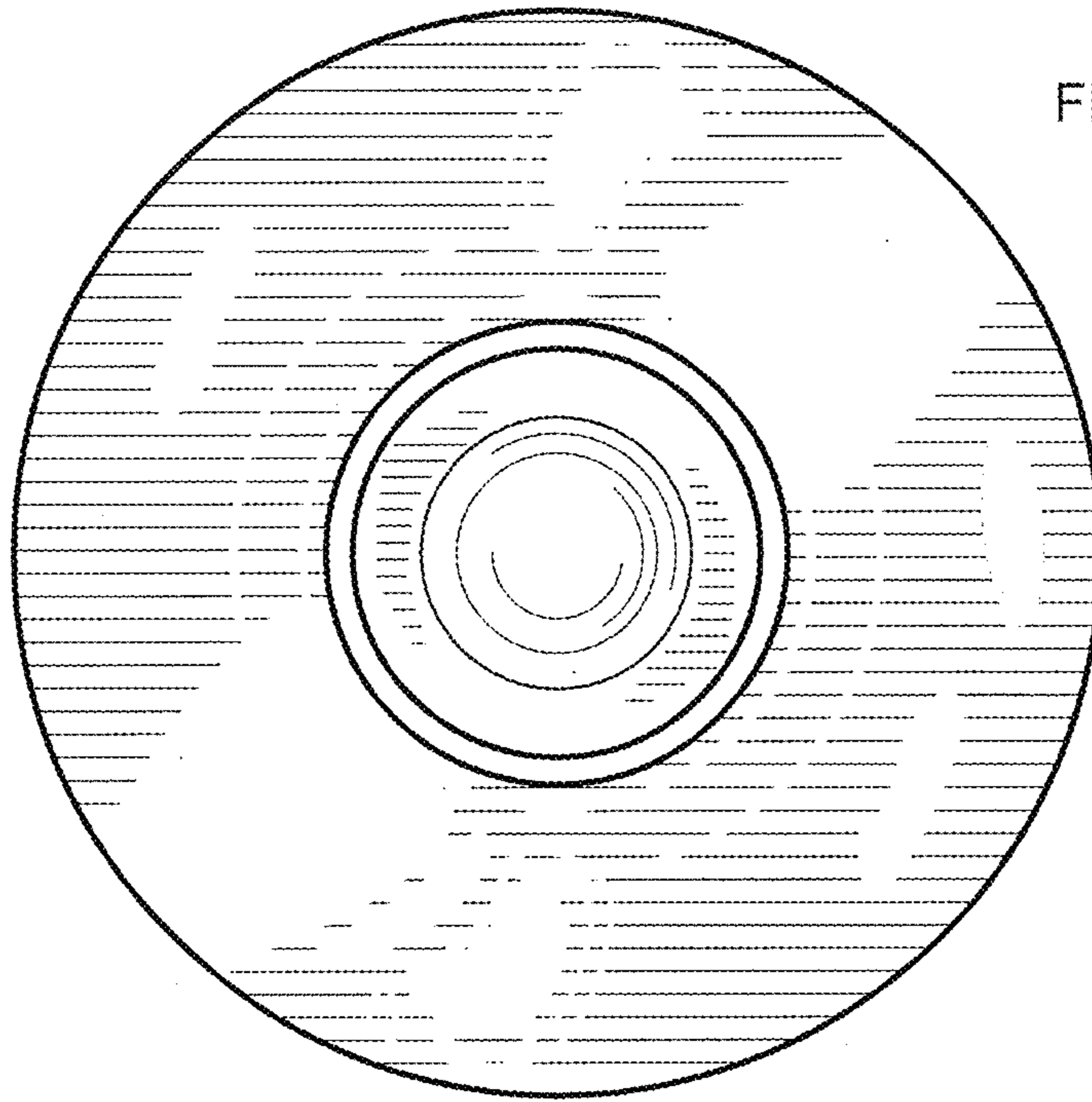


FIG. 4

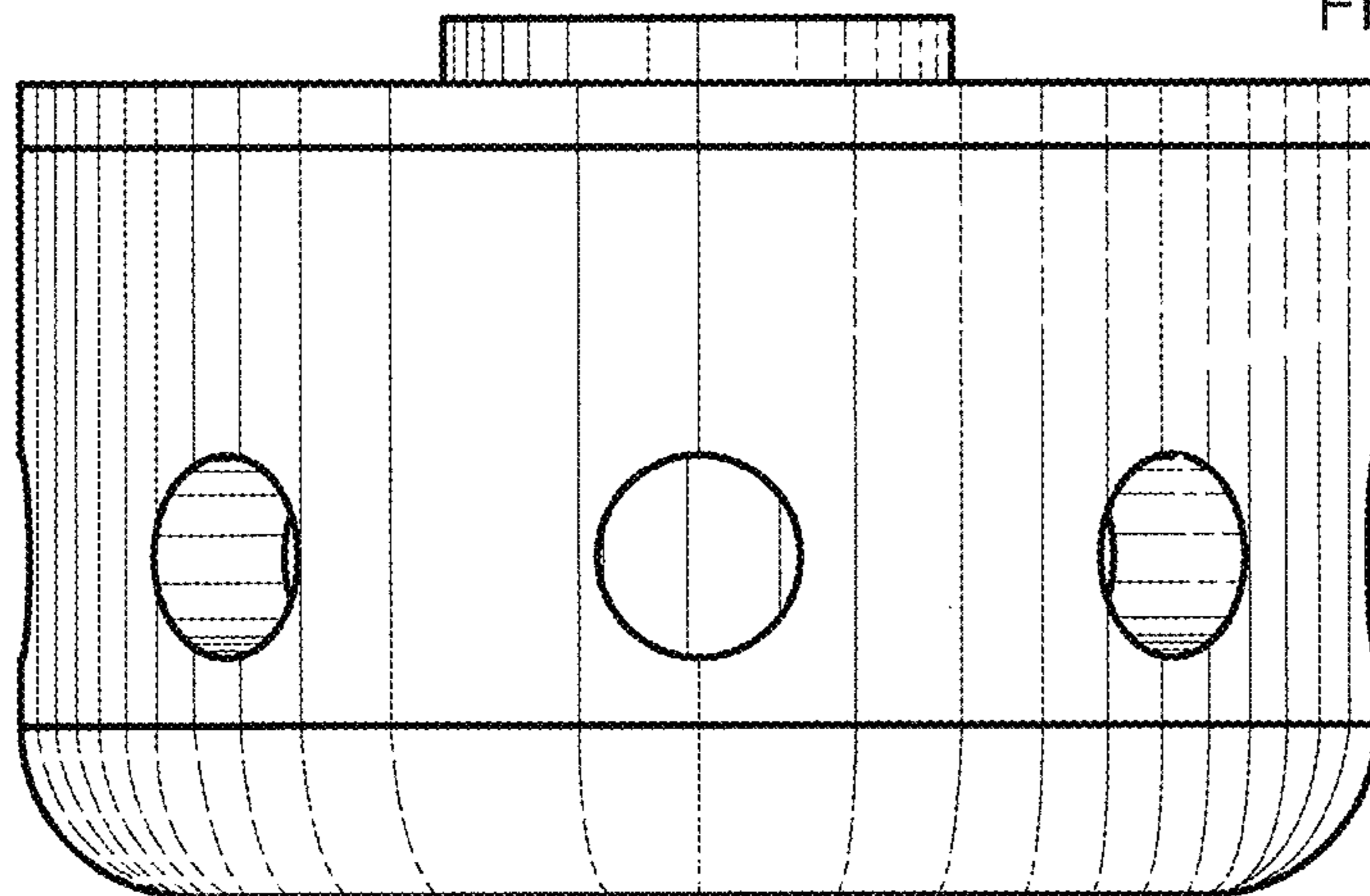


FIG. 5