



US00D791739S

(12) **United States Design Patent** (10) **Patent No.:** **US D791,739 S**
Lee et al. (45) **Date of Patent:** **** Jul. 11, 2017**

(54) **REMOTE CONTROL**

(71) Applicant: **Samsung Electronics Co., Ltd.**,
Suwon-si (KR)

(72) Inventors: **Gil-Jae Lee**, Seoul (KR); **Sang-Min Hyun**, Seoul (KR)

(73) Assignee: **SAMSUNG ELECTRONICS CO., LTD.**, Suwon-si (KR)

(**) Term: **15 Years**

(21) Appl. No.: **29/568,098**

(22) Filed: **Jun. 15, 2016**

(30) **Foreign Application Priority Data**

Dec. 23, 2015 (KR) 30-2015-0065751

(51) **LOC (10) Cl.** **14-03**

(52) **U.S. Cl.**
USPC **D14/218**

(58) **Field of Classification Search**
USPC D14/218; D13/168
CPC . H04N 5/445; H04N 5/44; H04N 7/00; G05B
11/01; G08C 19/00; G06F 3/02
See application file for complete search history.

(56) **References Cited**

U.S. PATENT DOCUMENTS

D266,758 S * 11/1982 Johannsen D13/168
D409,201 S * 5/1999 Barraza D14/218
D604,669 S 11/2009 Della Valle et al.
D609,222 S * 2/2010 Shin D14/218
D611,433 S * 3/2010 Tang D13/168
D626,534 S * 11/2010 Kim D14/218
D640,669 S * 6/2011 Cho D14/218
D649,138 S 11/2011 Akana et al.
D679,266 S * 4/2013 Shin D14/218
D679,681 S * 4/2013 Ann D14/218
D703,188 S * 4/2014 Maier D14/218
D724,059 S * 3/2015 Kim D14/218

D724,062 S * 3/2015 Feldstein D14/218
D728,530 S * 5/2015 Shin D14/218
D734,743 S * 7/2015 Geck D14/218
D739,385 S * 9/2015 James D14/218
D752,554 S * 3/2016 Valeur D14/218

(Continued)

FOREIGN PATENT DOCUMENTS

CN 302551427 S 8/2013
JP 1520661 4/2015
KR 300667230 11/2011

OTHER PUBLICATIONS

Samsung KS8000 review—FlatpanelsHD, dated Jul. 18, 2016, site visited Feb. 3, 2017, <http://www.flatpanelshd.com/review.php?subaction=showfull&id=1468834358>.*

(Continued)

Primary Examiner — John Windmuller

Assistant Examiner — John R Yeh

(74) *Attorney, Agent, or Firm* — McAndrews Held & Malloy, Ltd.

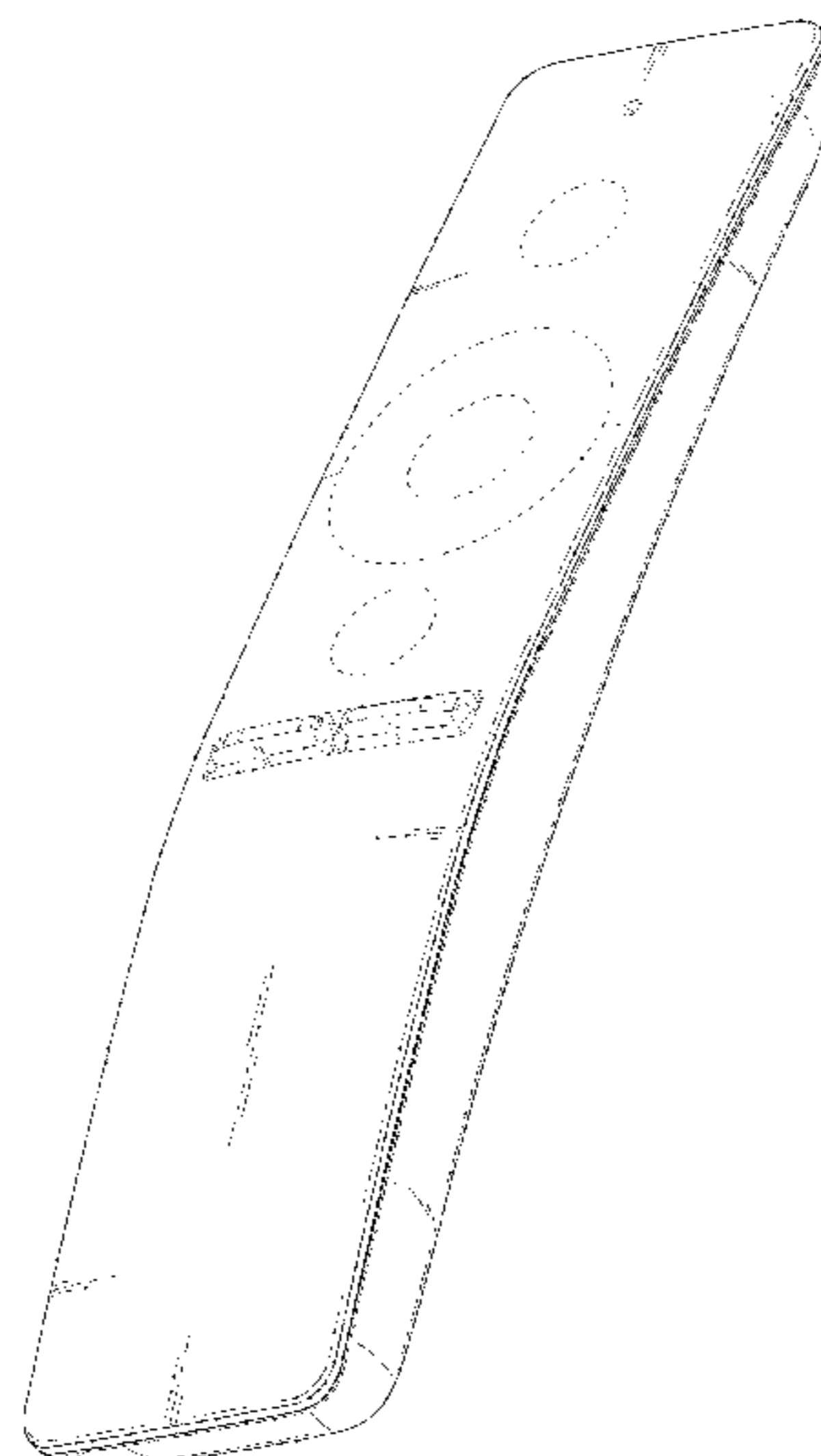
(57) **CLAIM**

The ornamental design for a remote control, as shown and described.

DESCRIPTION

FIG. 1 is a front perspective view of a remote control showing our new design;
FIG. 2 is a front elevation view thereof;
FIG. 3 is a rear elevation view thereof;
FIG. 4 is a left-side elevation view thereof;
FIG. 5 is a right-side elevation view thereof;
FIG. 6 is a top plan view thereof; and,
FIG. 7 is a bottom plan view thereof.
The broken lines in the drawings illustrate portions of the remote control that form no part of the claimed design.

1 Claim, 4 Drawing Sheets



(56)

References Cited

U.S. PATENT DOCUMENTS

D752,555 S * 3/2016 Langhammer D14/218
D753,071 S * 4/2016 Choi D13/174
D760,699 S * 7/2016 Peh D14/218
D764,443 S * 8/2016 Cai D14/218
D769,848 S * 10/2016 Lee D14/218
D772,202 S * 11/2016 Choe D14/218

OTHER PUBLICATIONS

Jet.com OEM Samsung Remote, website 2017, site visited Feb. 3, 2017, https://jet.com/product/detail/acafc2f646224617a523799aa5242279?jcmp=pla:ggl:cwin_electronics_a1:electronics_accessories_remote_controls_a1_other:na:PLA_348772500_24231377460_aud-155003204480:pla161690365020:na:na:na:2&code=PLA15&gclid=CjwKEAiA8dDEBRDf19yl97eO0UsSJAAY_yCSuBH2X_zjr3H.*
Review: Samsung's 4K Ultra HD UN65KS9500, review date Mar. 31, 2016, <https://hdguru.com/review-samsungs-4k-ultra-hd-un65ks9500-brings-hdr-home/>[Feb. 3, 2017 6:40:41 PM].*

* cited by examiner

FIG. 1

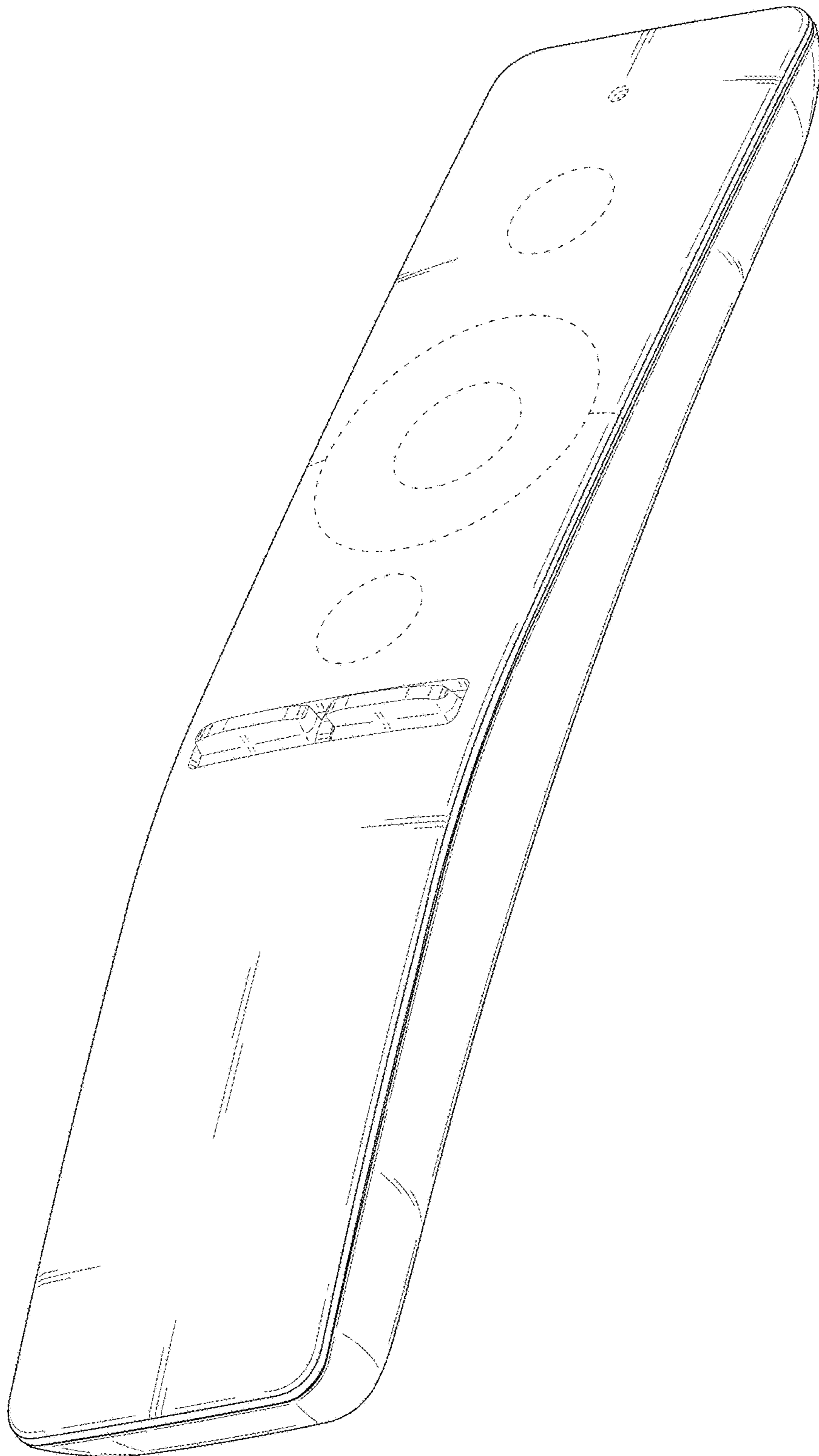


FIG. 2

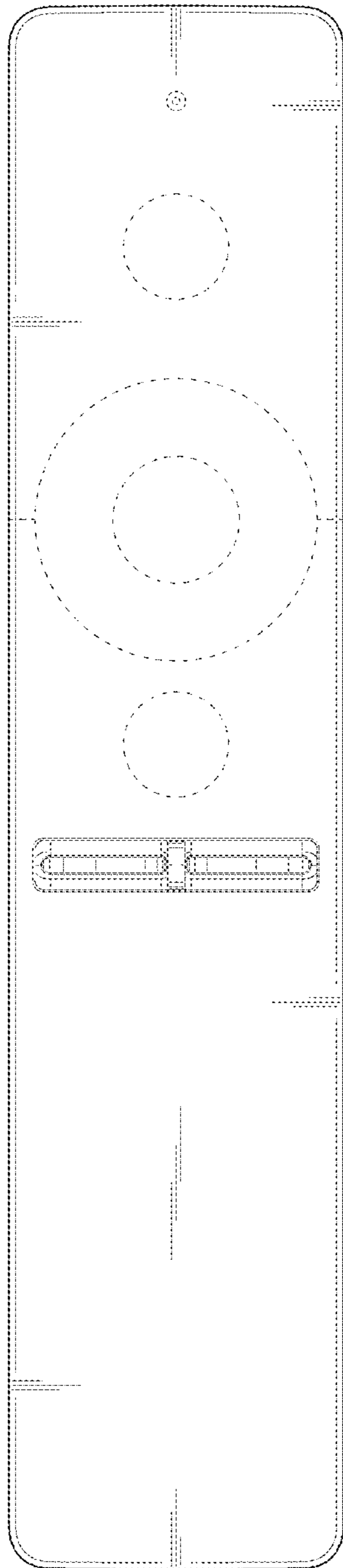


FIG. 3

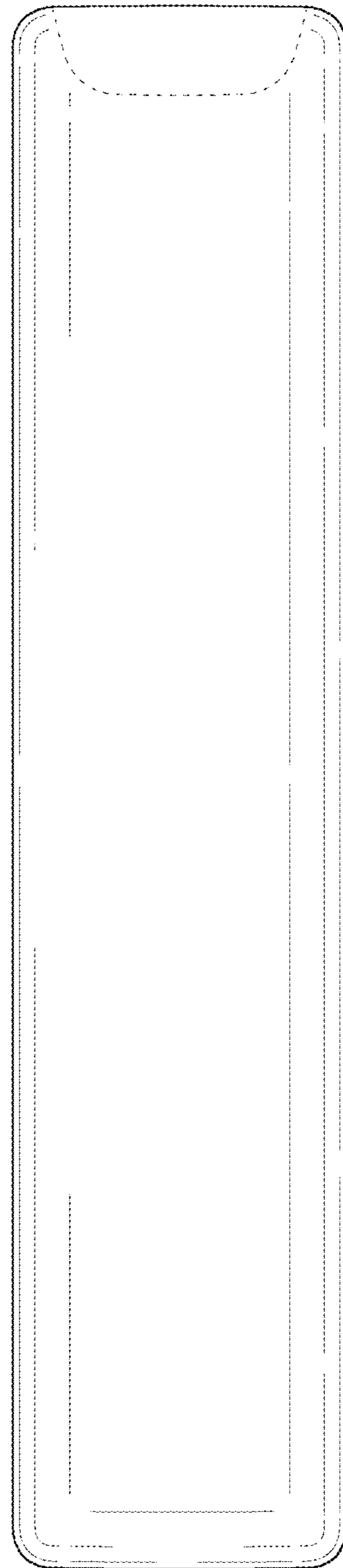


FIG. 4

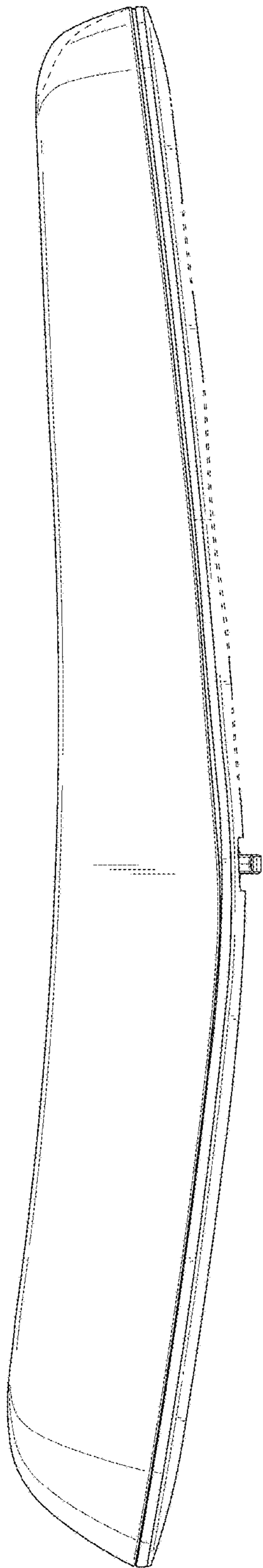


FIG. 5

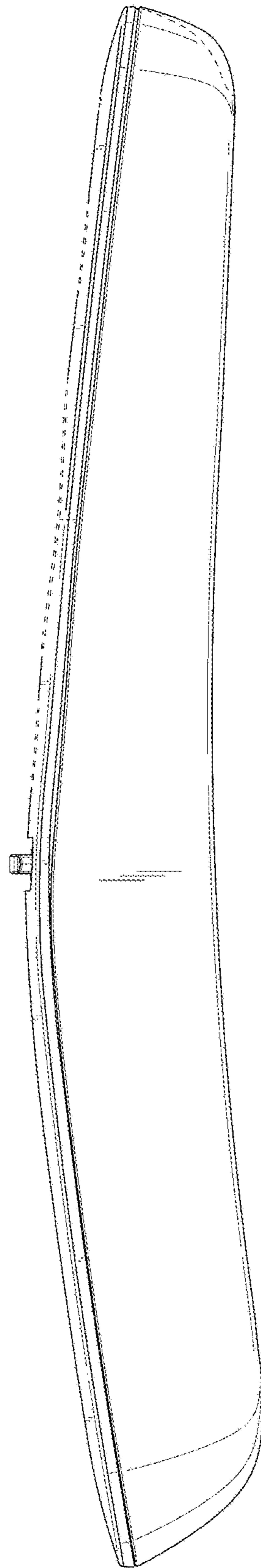


FIG. 6

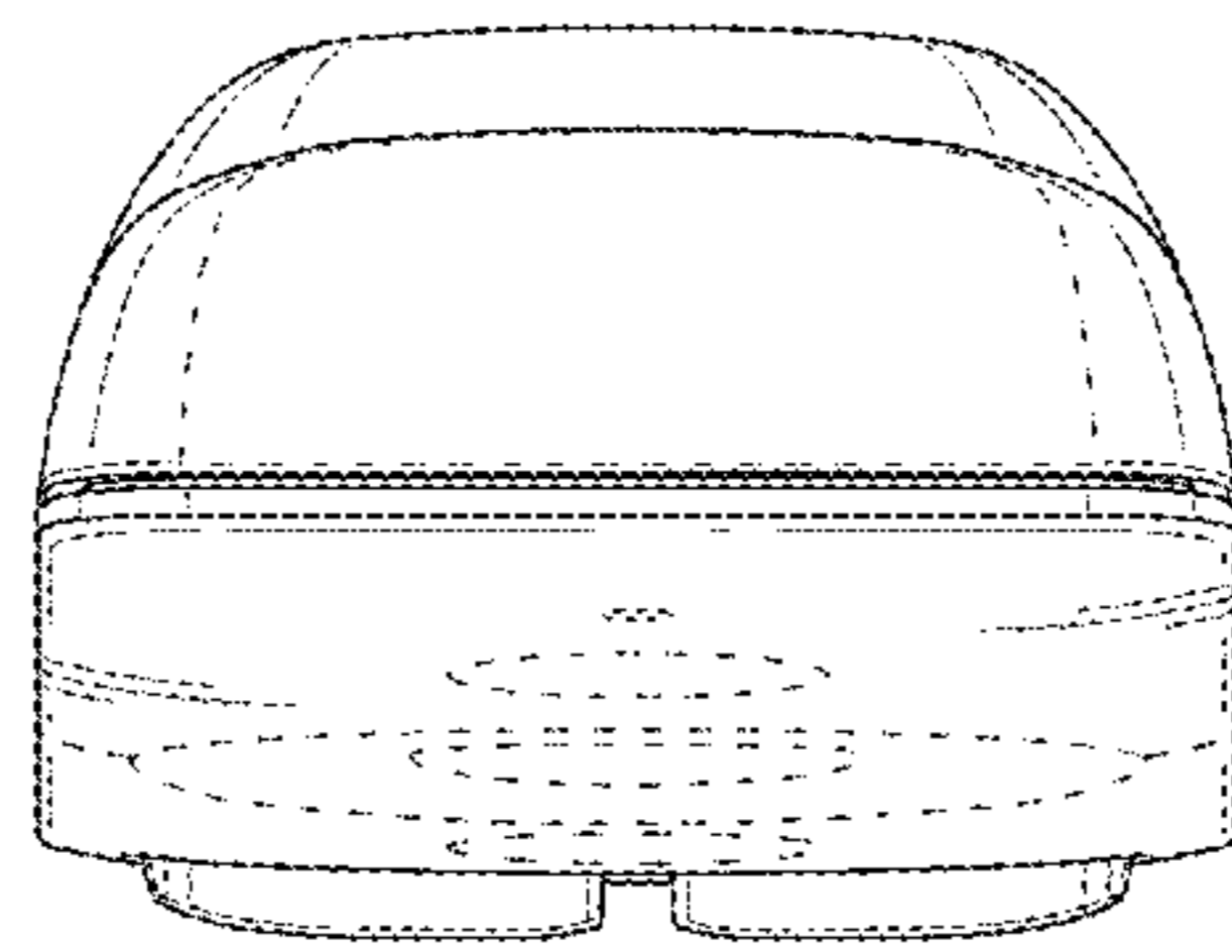


FIG. 7

