

US00D791737S

(12) **United States Design Patent**  
**Plattard**

(10) **Patent No.:** **US D791,737 S**

(45) **Date of Patent:** **\*\* Jul. 11, 2017**

(54) **AUDIO MIXER**

(71) Applicant: **YAMAHA CORPORATION**,  
Hamamatsu-shi (JP)

(72) Inventor: **Yves Plattard**, Hamamatsu (JP)

(73) Assignee: **YAMAHA CORPORATION**,  
Hamamatsu-shi (JP)

(\*\*) Term: **15 Years**

(21) Appl. No.: **29/566,873**

(22) Filed: **Jun. 3, 2016**

(30) **Foreign Application Priority Data**

Dec. 4, 2015 (JP) ..... 2015-027216

(51) **LOC (10) Cl.** ..... **14-03**

(52) **U.S. Cl.**

USPC ..... **D14/217**

(58) **Field of Classification Search**

USPC ..... D14/217, 257, 258, 434, 496, 162, 167,  
D14/175, 188, 196-198

CPC ... G06F 1/1626; G06F 1/1688; G10L 19/008;  
G10L 19/167; H03G 3/00; H03G 3/04;  
H03G 3/3005; H03G 3/3089; H03G 5/00;  
H03G 5/005; H03G 5/025; H03G 9/18;  
G11B 19/02; G11B 20/10527; G11B  
27/00; G11B 27/34; G11B 27/031; G11B  
27/034; G11B 27/038; G11B 27/105;  
G11B 33/025; H04R 3/00; H04R 3/005;  
H04R 5/04; H04R 2205/021; H04R  
2499/11

See application file for complete search history.

(56) **References Cited**

U.S. PATENT DOCUMENTS

D444,460 S \* 7/2001 Kitazawa ..... D14/217  
D565,030 S \* 3/2008 Amit ..... D14/188  
D691,588 S \* 10/2013 Plattard ..... D14/217  
D750,598 S \* 3/2016 Alexander ..... D14/217

\* cited by examiner

*Primary Examiner* — Ian Simmons

*Assistant Examiner* — Khawaja Anwar

(74) *Attorney, Agent, or Firm* — Sughrue Mion, PLLC

(57) **CLAIM**

The ornamental design for an audio mixer, as shown and described.

**DESCRIPTION**

FIG. 1 is a perspective view of the front, top and right side of an audio mixer showing my new design;

FIG. 2 is a perspective view of the rear, top and left side thereof;

FIG. 3 is a front view thereof;

FIG. 4 is a rear view thereof;

FIG. 5 is a left side view thereof;

FIG. 6 is a right side view thereof;

FIG. 7 is a top plan view thereof; and,

FIG. 8 is a bottom view thereof.

The broken line showing the audio mixer is included for the purpose of illustrating portions of the audio mixer and forms no part of the claimed design.

**1 Claim, 8 Drawing Sheets**

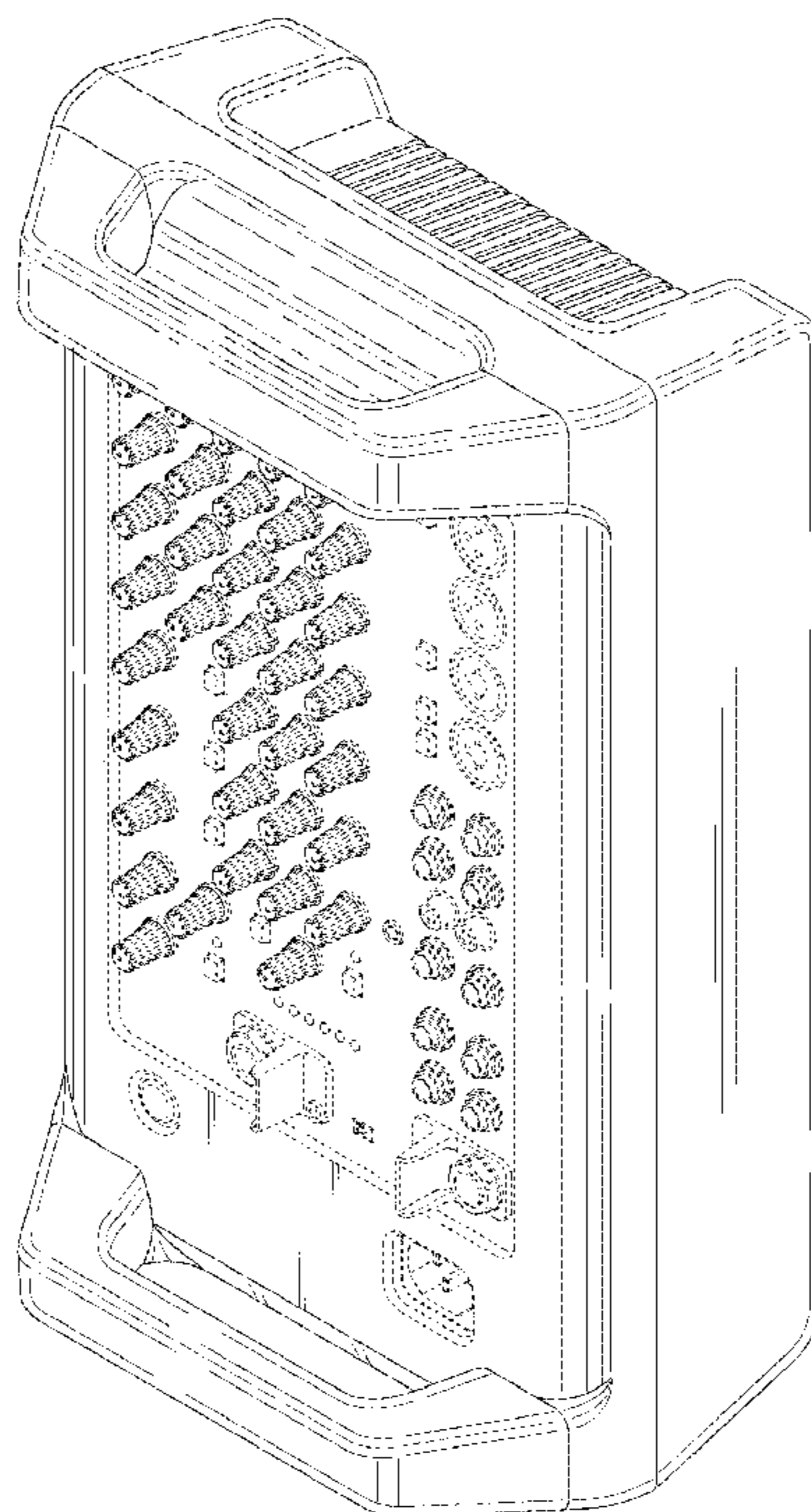


Fig. 1

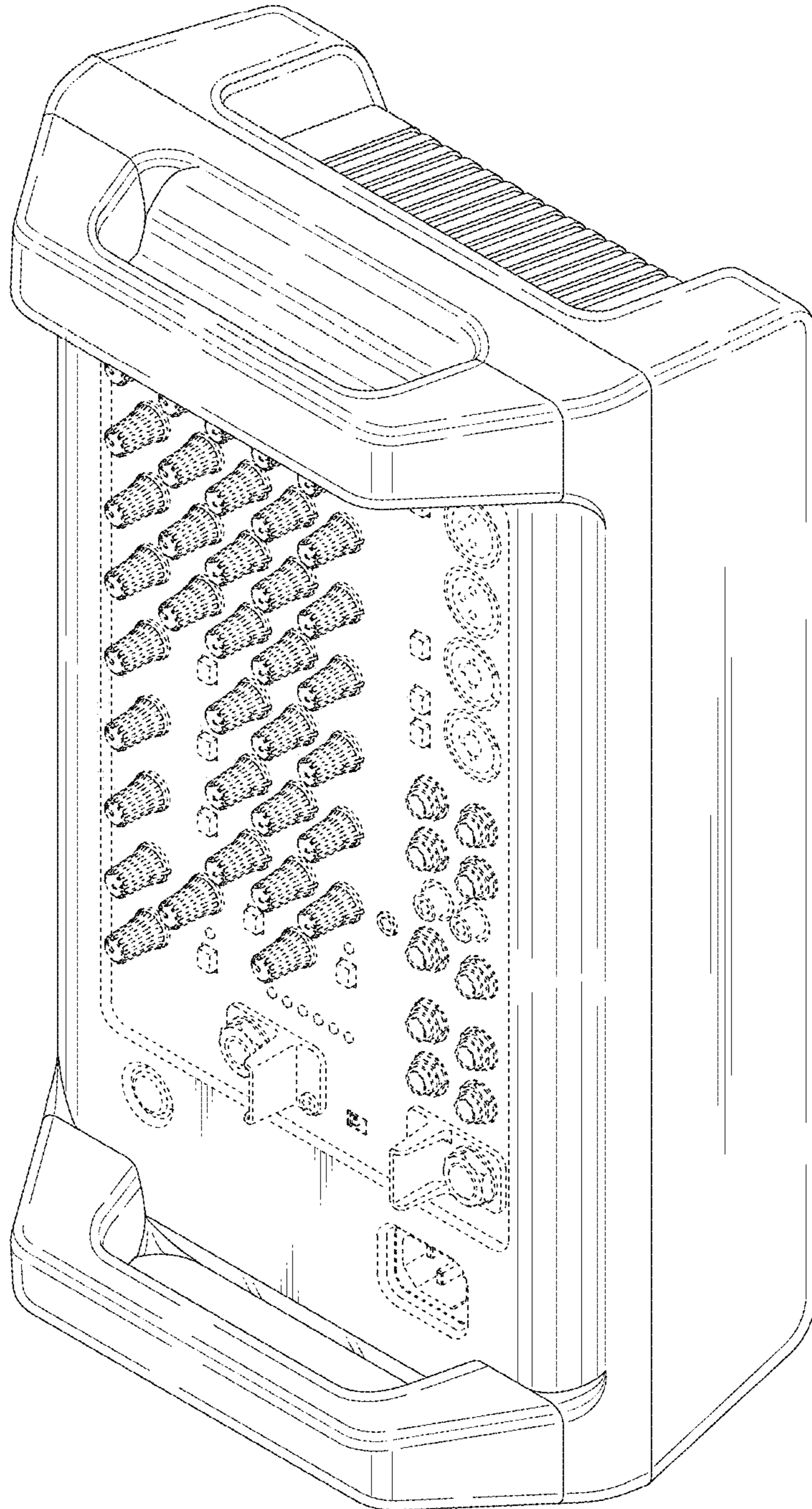


Fig. 2

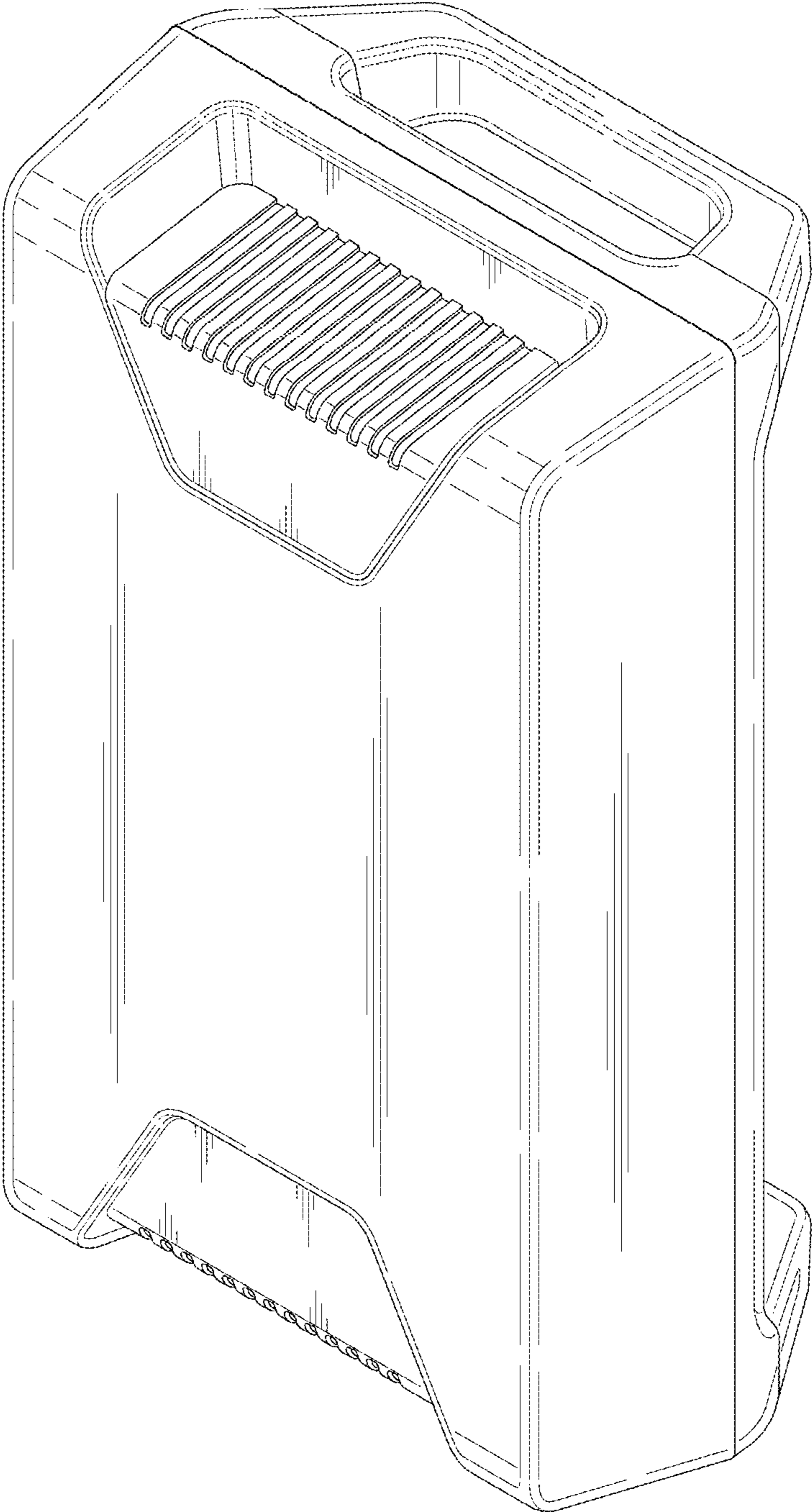




Fig. 3

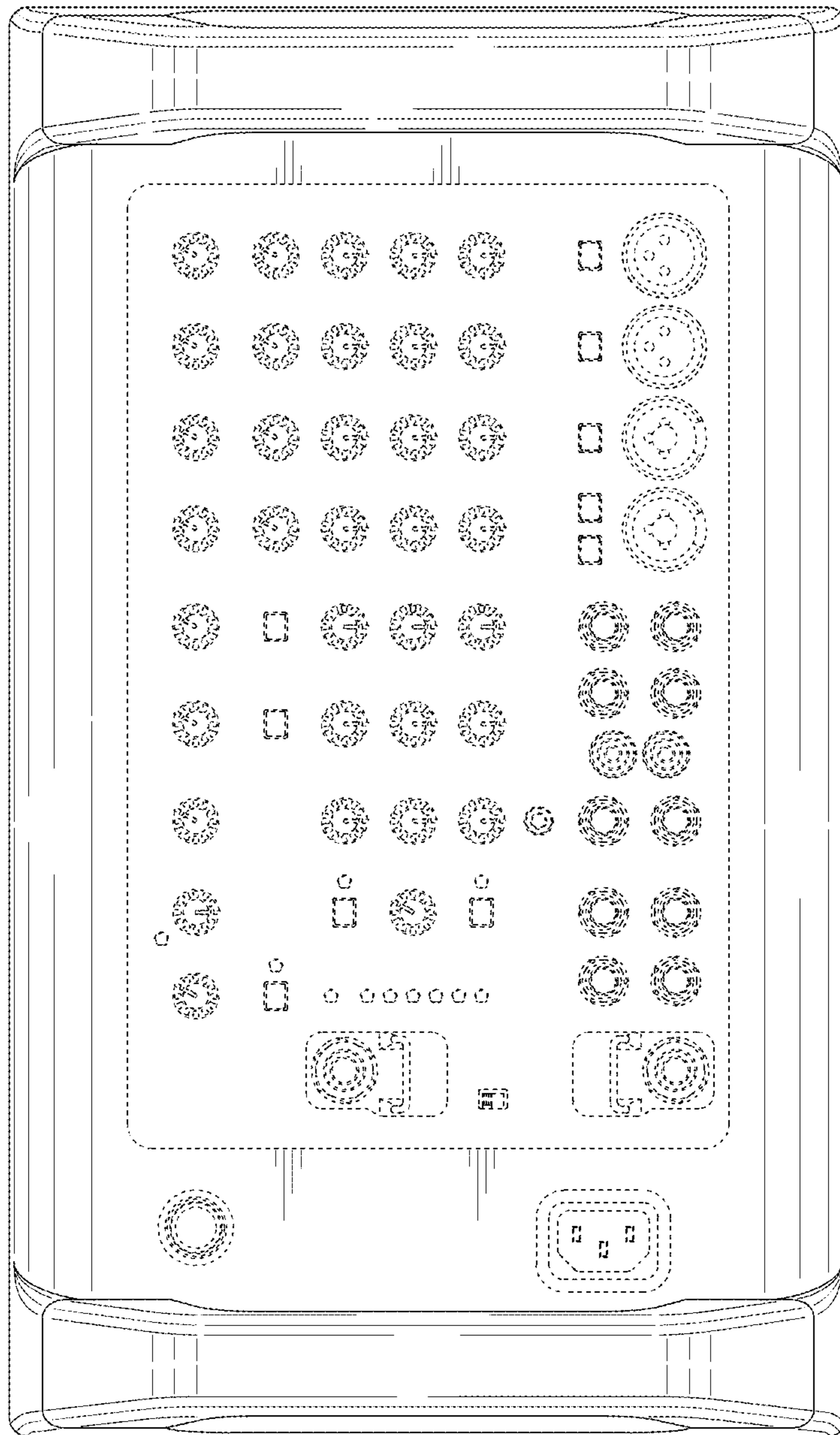


Fig. 4

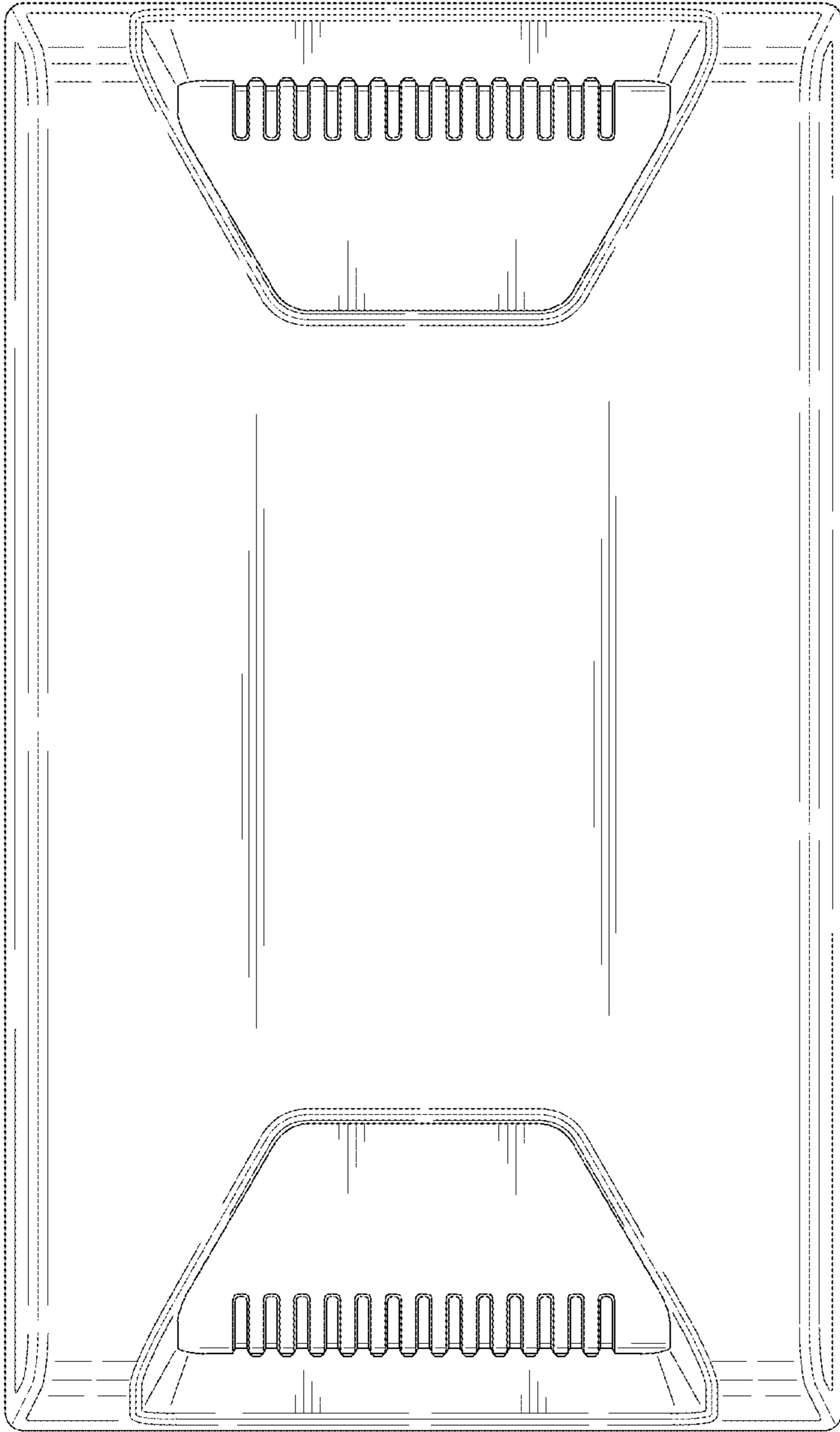


Fig. 5

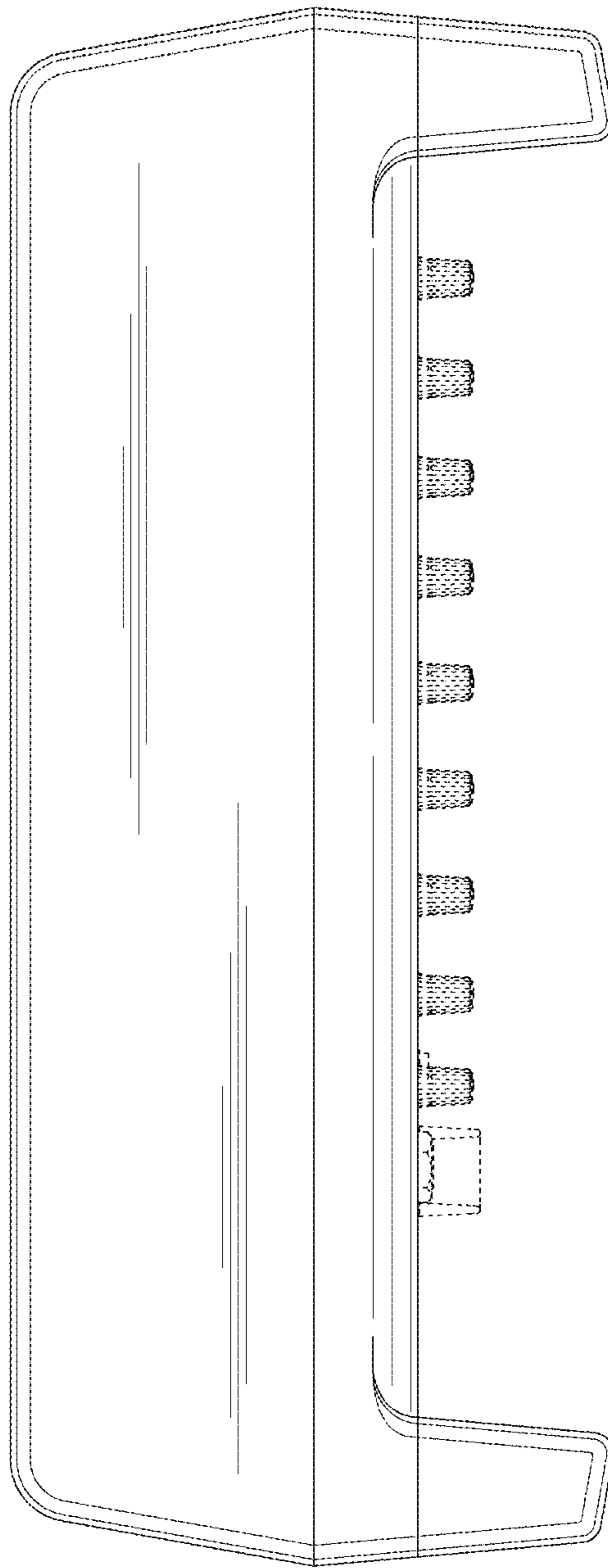


Fig. 6

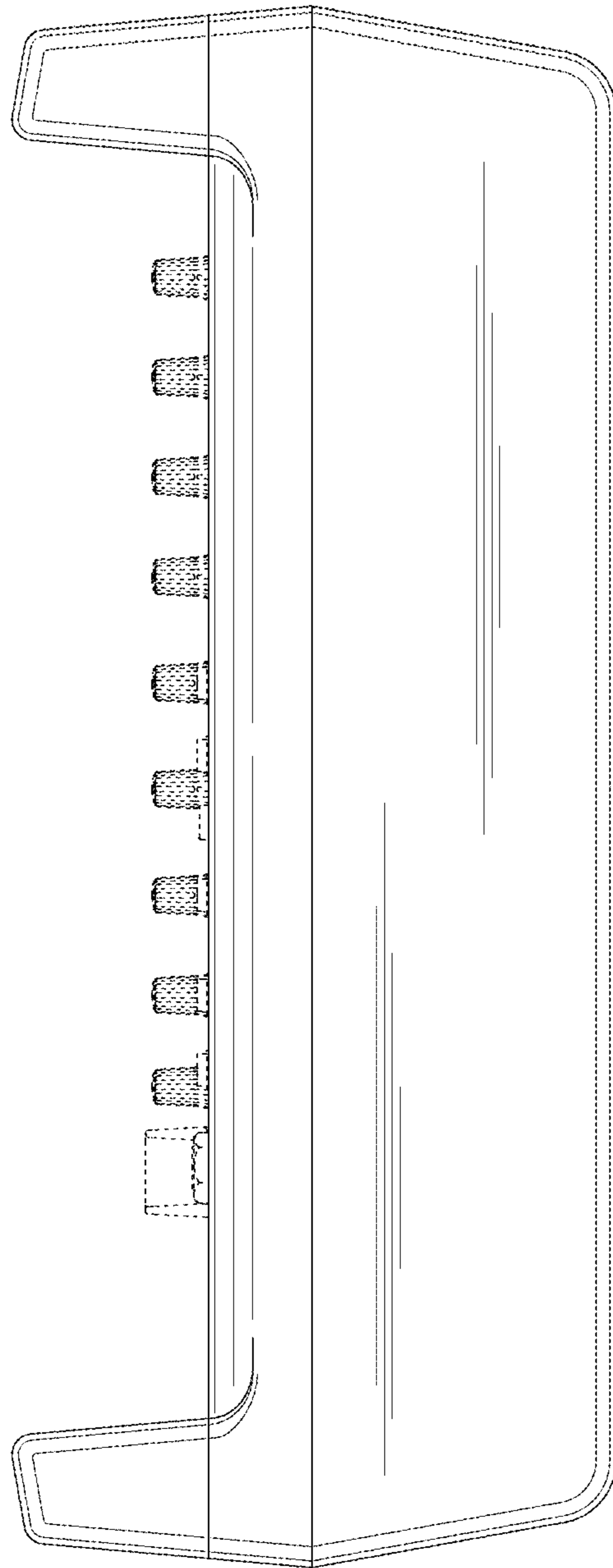


Fig. 7

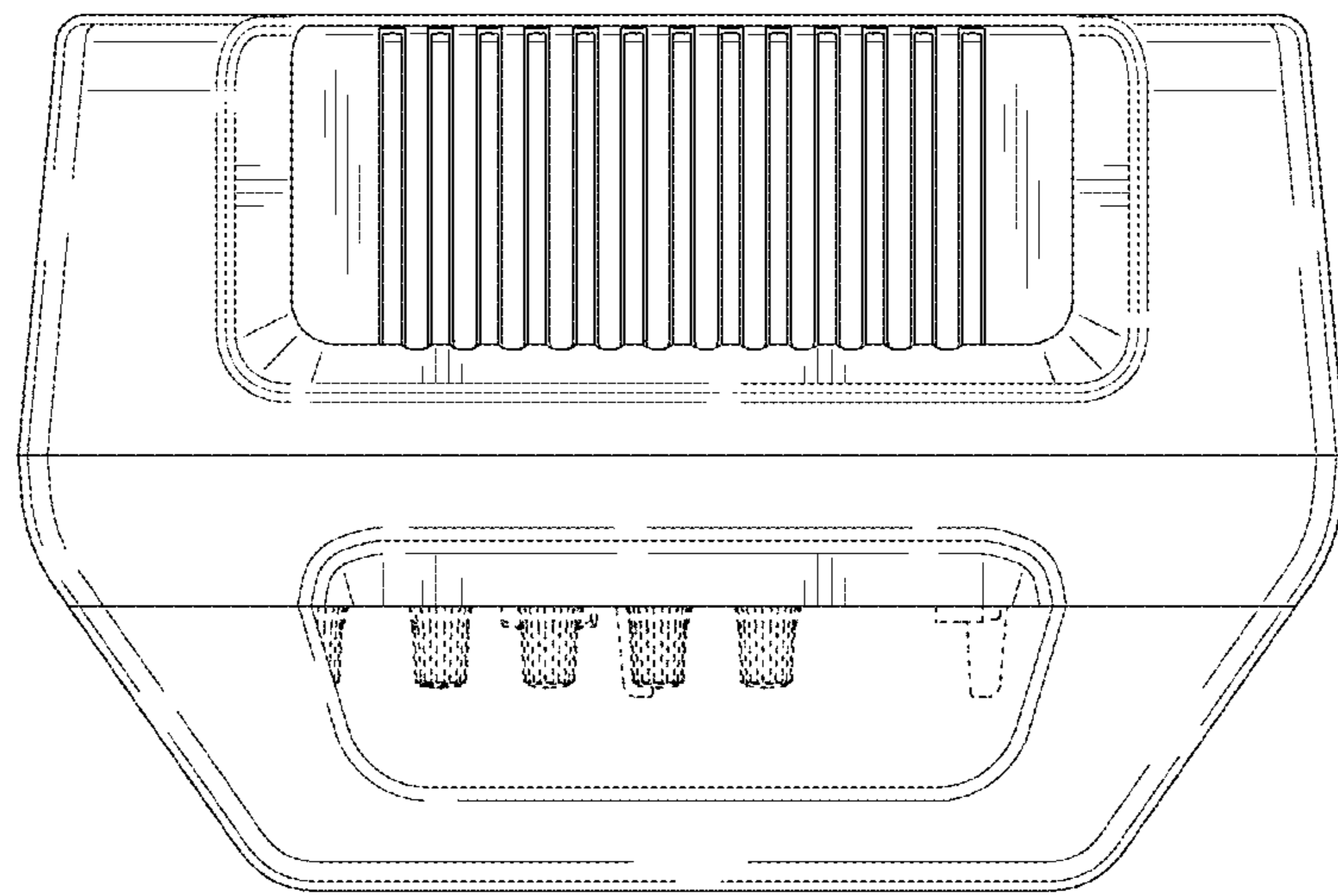




Fig. 8

