



US00D791734S

(12) **United States Design Patent** (10) **Patent No.:** **US D791,734 S**  
**Ou** (45) **Date of Patent:** **\*\* Jul. 11, 2017**

(54) **EARPHONE**  
(71) Applicant: **Chanjiao Ou**, Guangdong (CN)  
(72) Inventor: **Chanjiao Ou**, Guangdong (CN)  
(\*\*) Term: **15 Years**  
(21) Appl. No.: **29/558,365**  
(22) Filed: **Mar. 17, 2016**  
(51) **LOC (10) Cl.** ..... **14-01**  
(52) **U.S. Cl.**  
USPC ..... **D14/206**  
(58) **Field of Classification Search**  
USPC ..... D14/206, 205, 372, 192, 188; D29/112;  
2/209; 181/129, 130, 135; 379/430, 431;  
381/380, 381, 374  
CPC .... H04R 1/1066; H04R 5/033; H04R 5/0335;  
H04R 25/00; H04R 1/10; G09G 5/00  
See application file for complete search history.

(56) **References Cited**

**U.S. PATENT DOCUMENTS**

D255,569 S *	6/1980	Lung	.....	D14/168
D299,337 S *	1/1989	Wiegel	.....	D14/206
4,987,592 A *	1/1991	Flagg	.....	H04R 1/08 379/430
D317,767 S *	6/1991	Banks	.....	D14/205
D326,855 S *	6/1992	Bose	.....	D14/205
5,138,722 A *	8/1992	Urella	.....	A61F 11/14 2/209
D333,137 S *	2/1993	Burke	.....	D14/206
5,185,807 A *	2/1993	Bergin	.....	H04R 1/1066 181/128
D345,981 S *	4/1994	Burke	.....	D14/206
5,793,878 A *	8/1998	Chang	.....	H04R 5/0335 381/370
D418,509 S *	1/2000	Zeitman	.....	D14/192
D430,140 S *	8/2000	Roman	.....	D14/205
D442,340 S *	5/2001	Leight	.....	D29/112

6,295,366 B1 *	9/2001	Haller	.....	H04R 5/0335 379/430
D458,597 S *	6/2002	Davies	.....	D14/206
D484,485 S *	12/2003	Matsuoka	.....	D14/205
7,114,823 B2 *	10/2006	McCullough	.....	F21V 33/0056 362/105
D542,774 S *	5/2007	Rausch	.....	D14/206
D552,077 S *	10/2007	Brunner	.....	D14/205
D576,604 S *	9/2008	Suzuki	.....	D14/205
D594,441 S *	6/2009	Lee	.....	D14/205
D598,901 S *	8/2009	Lee	.....	D14/223
D599,781 S *	9/2009	Lee	.....	D14/205
D600,675 S *	9/2009	Lee	.....	D14/205
D613,266 S *	4/2010	Barry	.....	D14/205
D632,668 S *	2/2011	Brunner	.....	D14/205
D634,732 S *	3/2011	Kondo	.....	D14/205
D637,182 S *	5/2011	Lee	.....	D14/223
D638,397 S *	5/2011	McManigal	.....	D14/205
D641,003 S *	7/2011	Alden	.....	D14/205
D641,008 S *	7/2011	Lee	.....	D14/223

(Continued)

*Primary Examiner* — Paula Greene

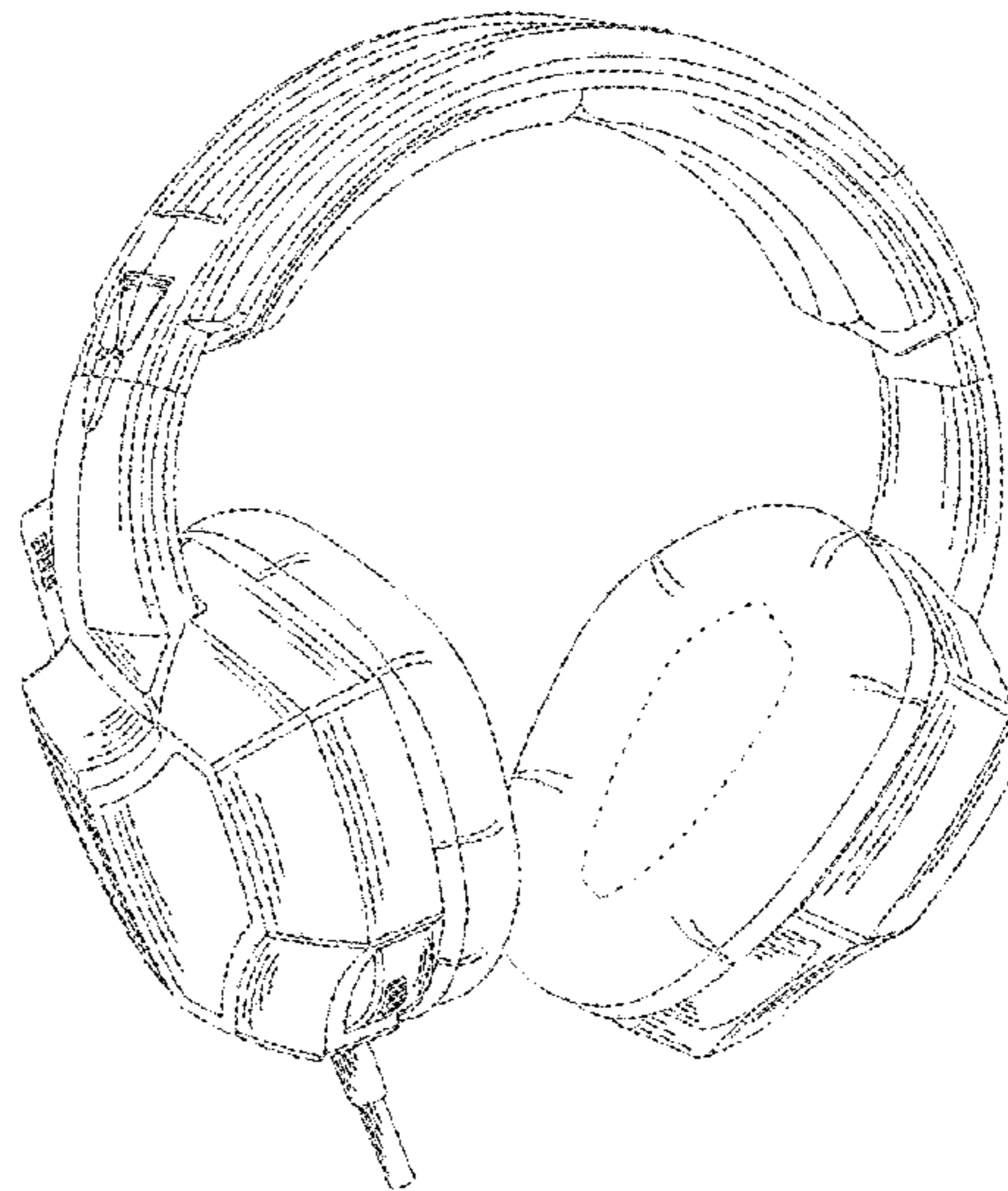
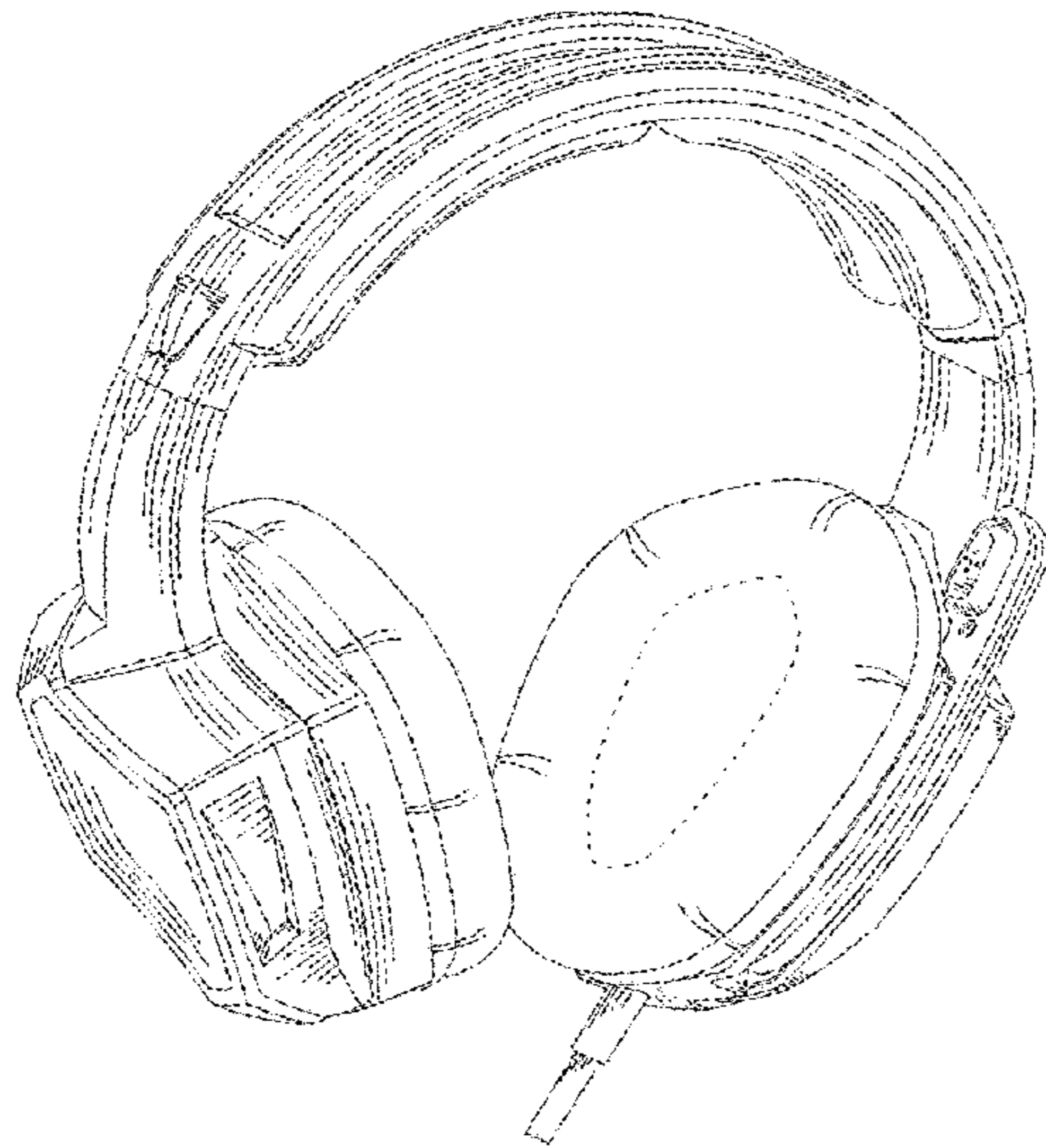
(57) **CLAIM**

The ornamental design for an earphone, as shown and described.

**DESCRIPTION**

FIG. 1 is a front elevational view of an earphone showing my new design;  
FIG. 2 is a rear elevational view thereof;  
FIG. 3 is a left side view thereof;  
FIG. 4 is a right side view thereof;  
FIG. 5 is a top plan view thereof;  
FIG. 6 is a bottom plan view thereof;  
FIG. 7 is a first perspective view thereof;  
FIG. 8 is a second perspective view thereof; and,  
FIG. 9 is a third perspective view thereof.  
The broken lines depict environment that forms no part of the claimed design.

**1 Claim, 8 Drawing Sheets**



(56)

References Cited

U.S. PATENT DOCUMENTS

D641,725	S *	7/2011	Chong	.....	D14/205
D642,163	S *	7/2011	Lee	.....	D14/223
D643,417	S *	8/2011	Lee	.....	D14/223
D643,418	S *	8/2011	Lee	.....	D14/223
D643,833	S *	8/2011	Lee	.....	D14/223
D649,528	S *	11/2011	Park	.....	D14/205
D651,586	S *	1/2012	Lee	.....	D14/205
D652,406	S *	1/2012	Lee	.....	D14/205
D656,480	S *	3/2012	McManigal	.....	D14/205
8,139,807	B2 *	3/2012	Reiss	.....	H04R 1/1058 381/371
D659,672	S *	5/2012	Lee	.....	D14/205
D672,744	S *	12/2012	Scarpa	.....	D14/205
D672,745	S *	12/2012	Abed	.....	D14/205
D684,949	S *	6/2013	Lee	.....	D14/205
D687,409	S *	8/2013	Lee	.....	D14/205
D689,464	S *	9/2013	Bonahoom	.....	D14/206
D691,111	S *	10/2013	Lee	.....	D14/206
8,559,665	B2 *	10/2013	Schmidt	.....	H04R 1/1066 381/370
D693,327	S *	11/2013	Chiu	.....	D14/206
D697,896	S *	1/2014	Lee	.....	D14/205
D699,216	S *	2/2014	Bonahoom	.....	D14/205
8,643,568	B2 *	2/2014	West	.....	G02B 27/0176 345/7
D716,762	S *	11/2014	Greve	.....	D14/206
D733,677	S *	7/2015	Ling	.....	D14/206
D734,736	S *	7/2015	Jin	.....	D14/206
D745,860	S *	12/2015	Logan	.....	D14/206
D746,793	S *	1/2016	Logan	.....	D14/206
2001/0017925	A1 *	8/2001	Ceravolo	.....	H04M 1/05 381/370
2011/0194721	A1 *	8/2011	Schmidt	.....	H04R 1/1066 381/370

\* cited by examiner



FIG. 1

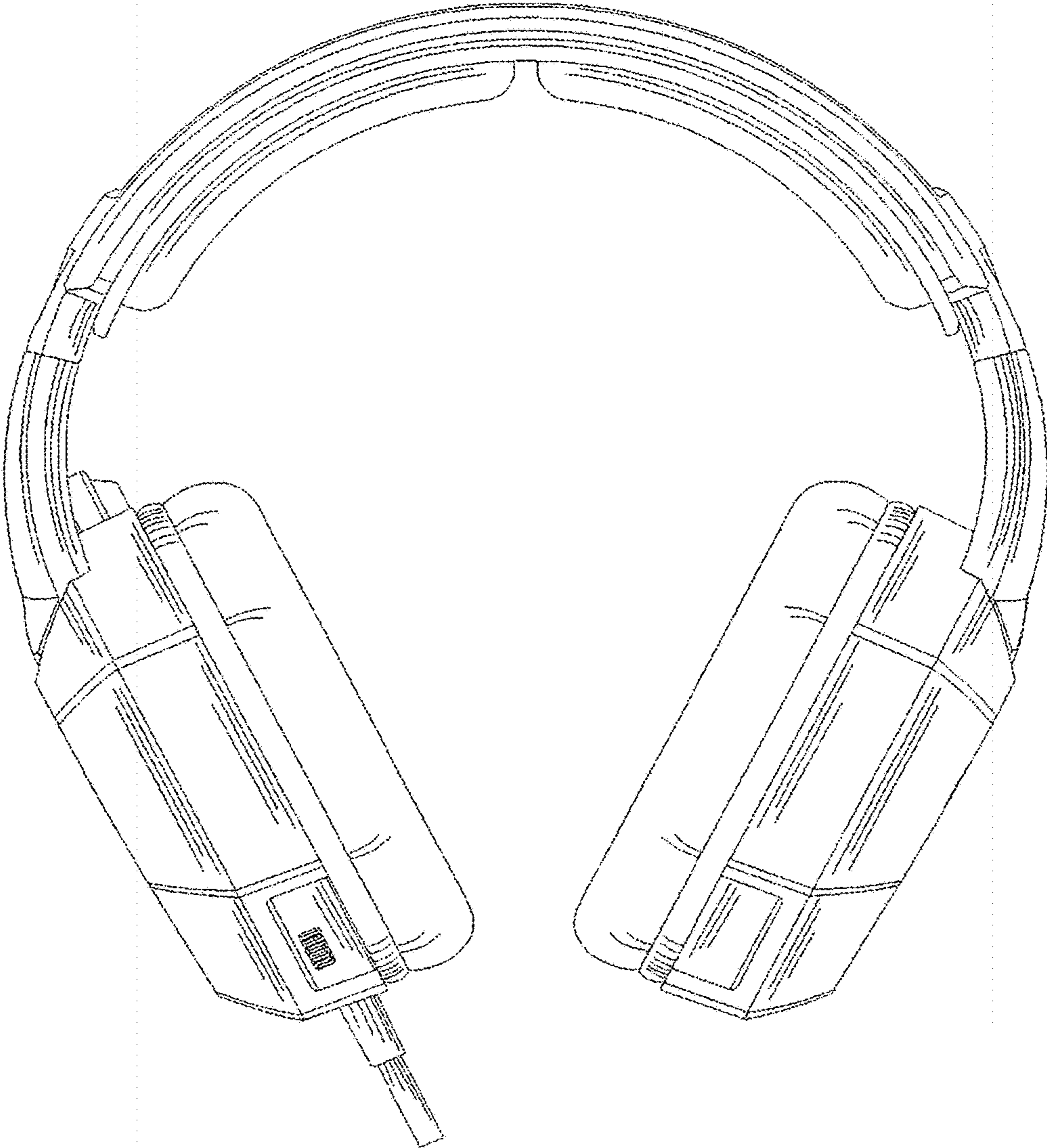


FIG. 2

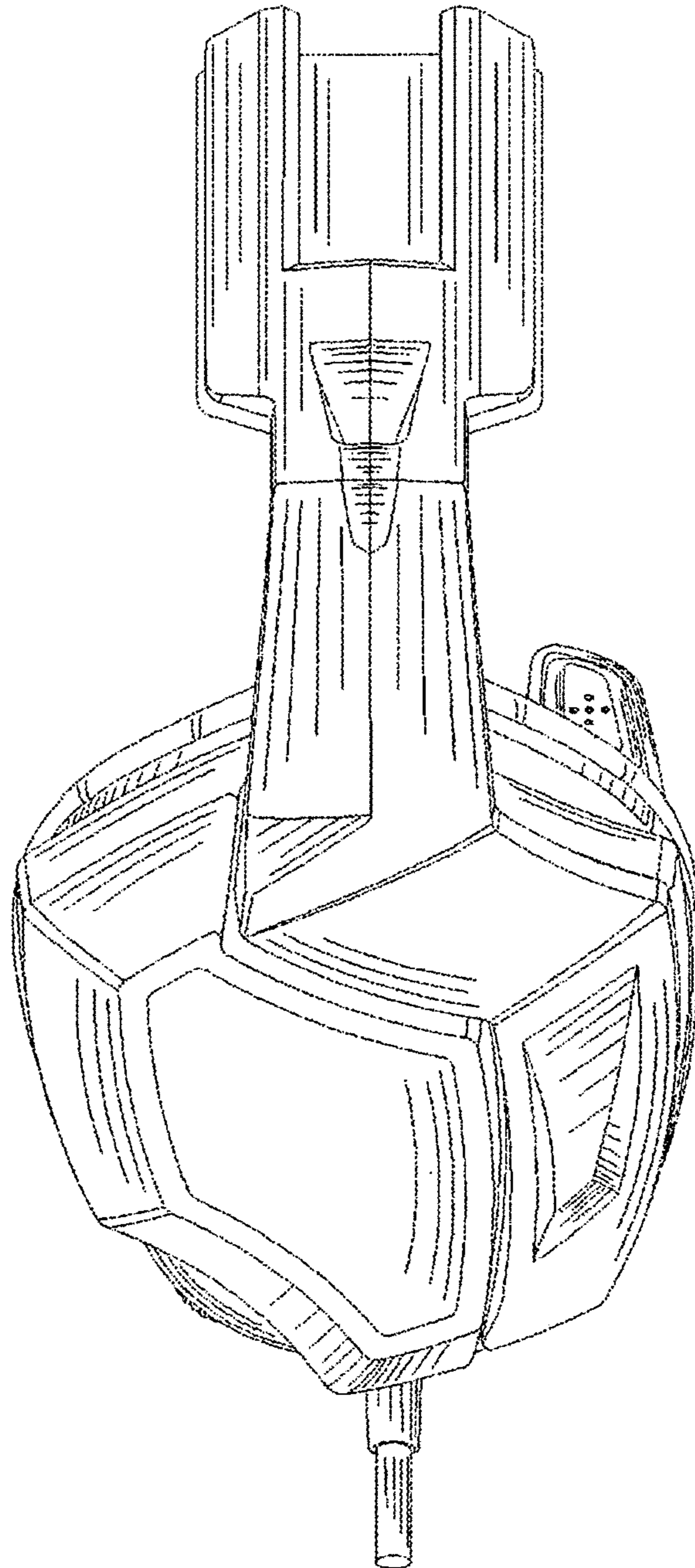


FIG. 3

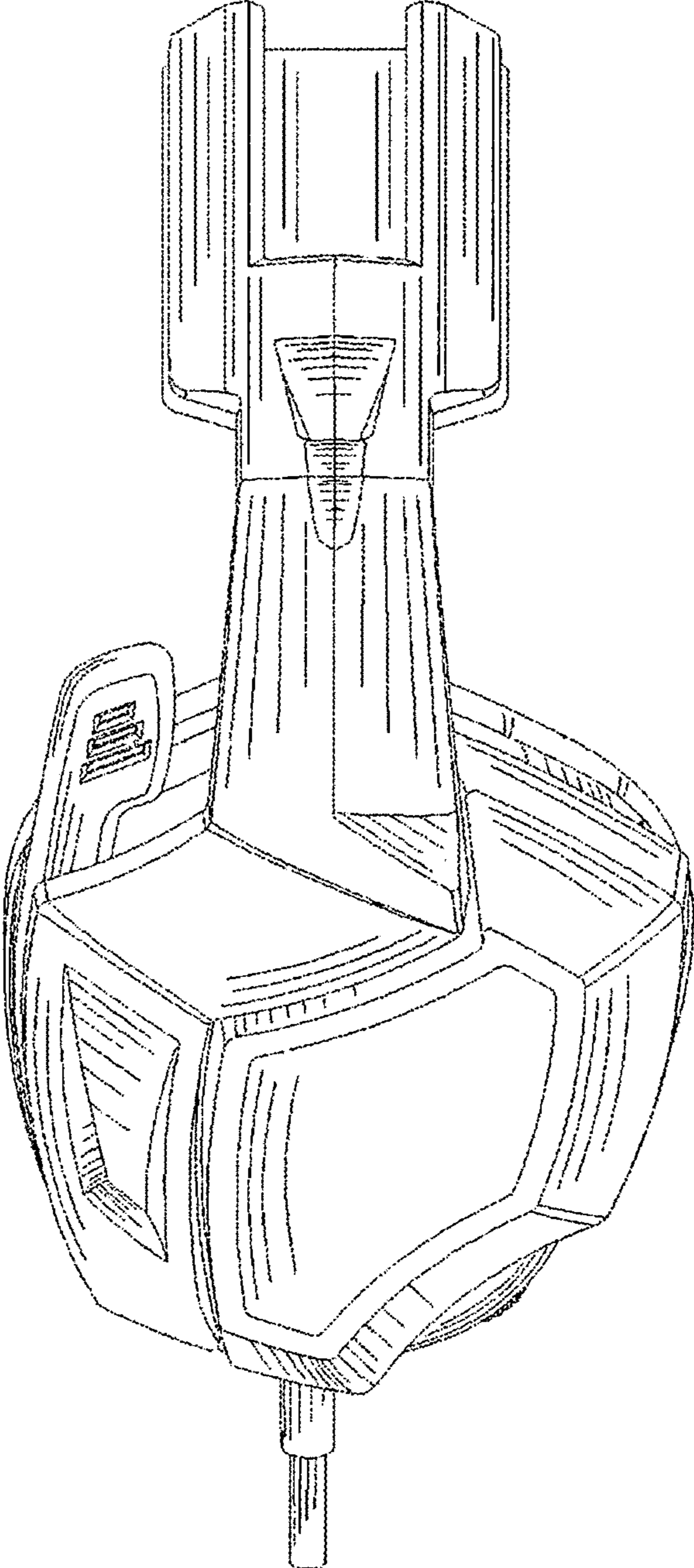


FIG. 4

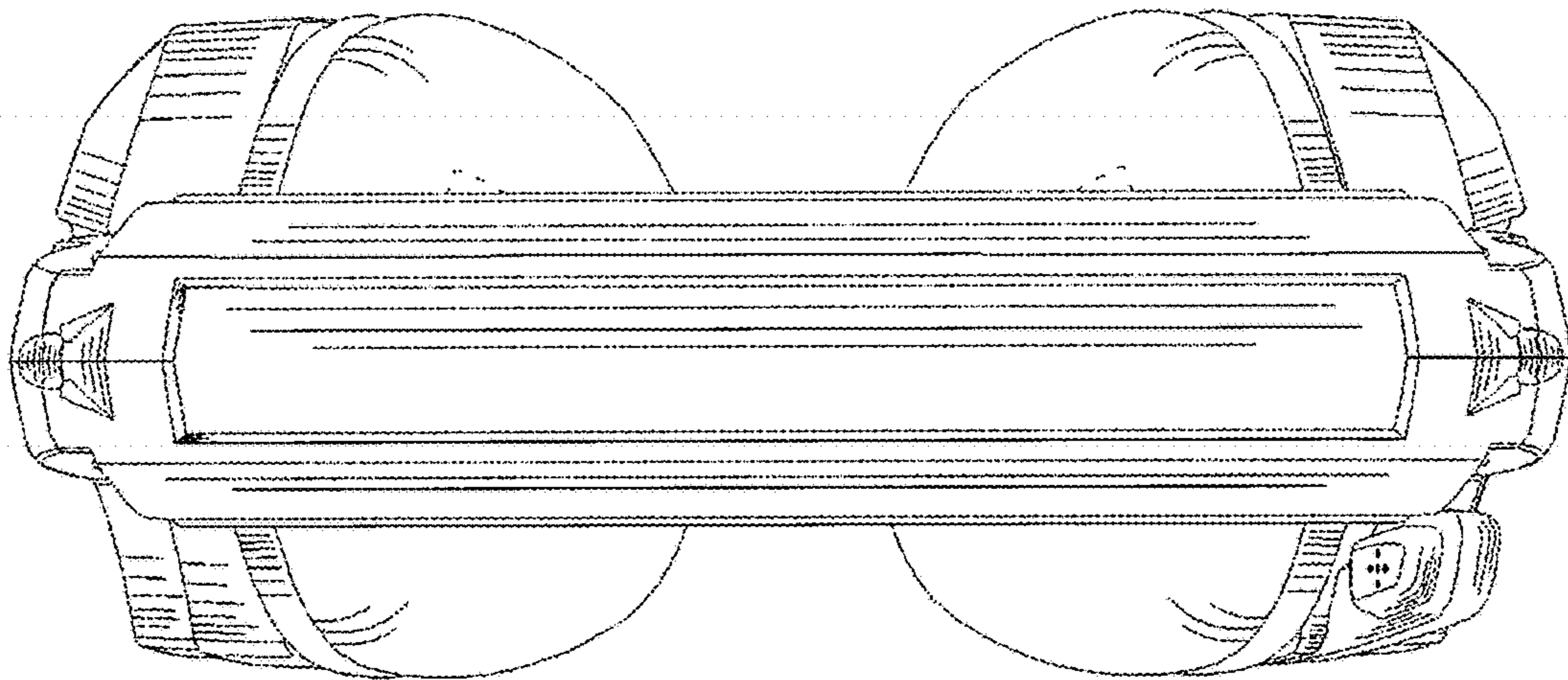


FIG. 5

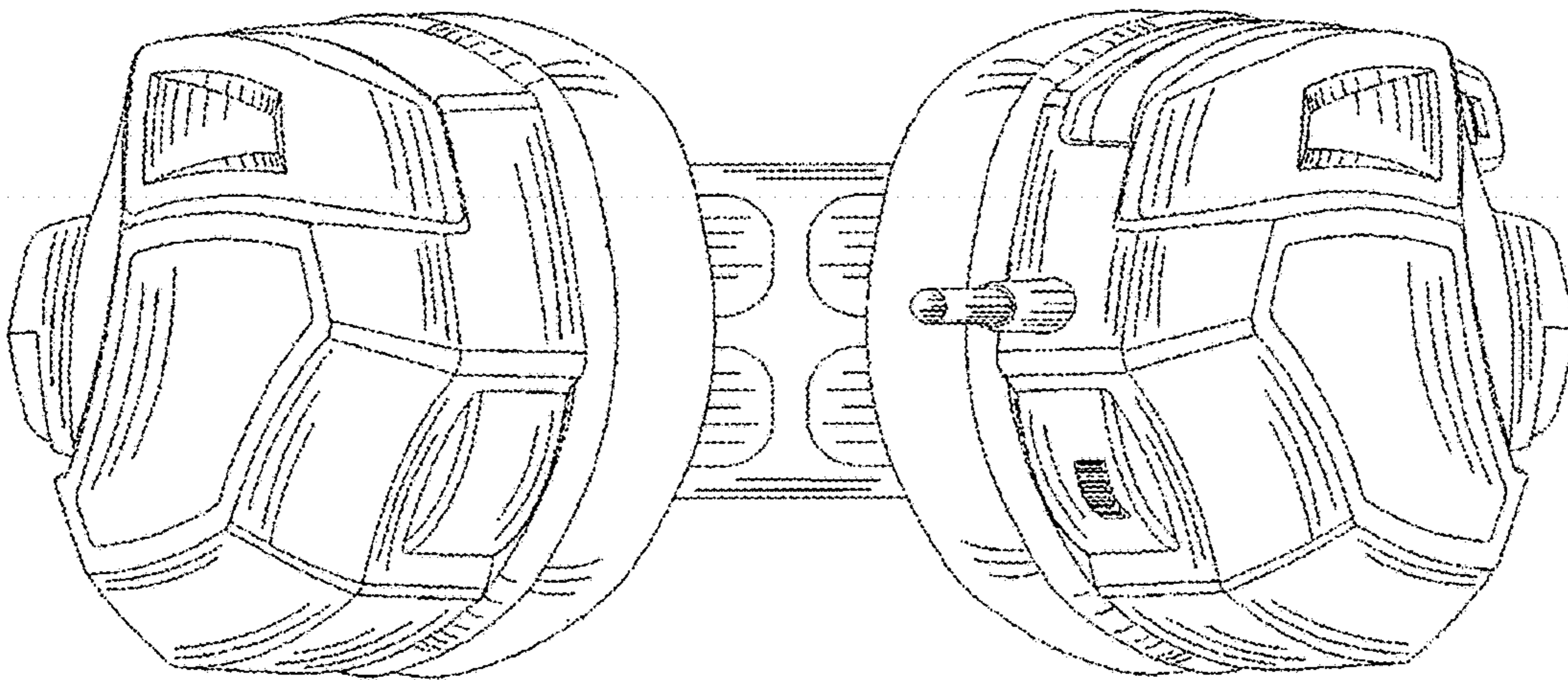


FIG. 6



FIG. 7



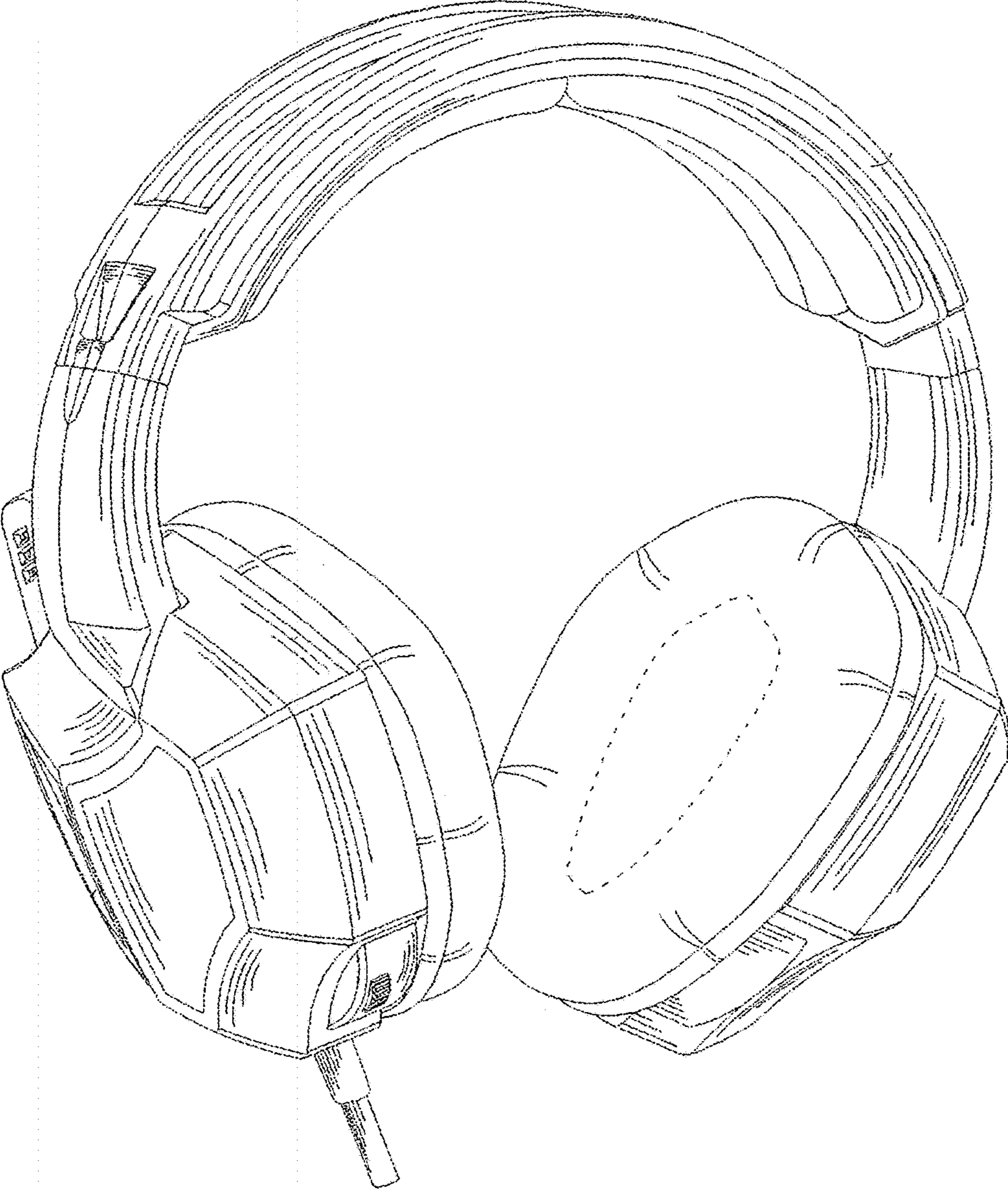


FIG. 8

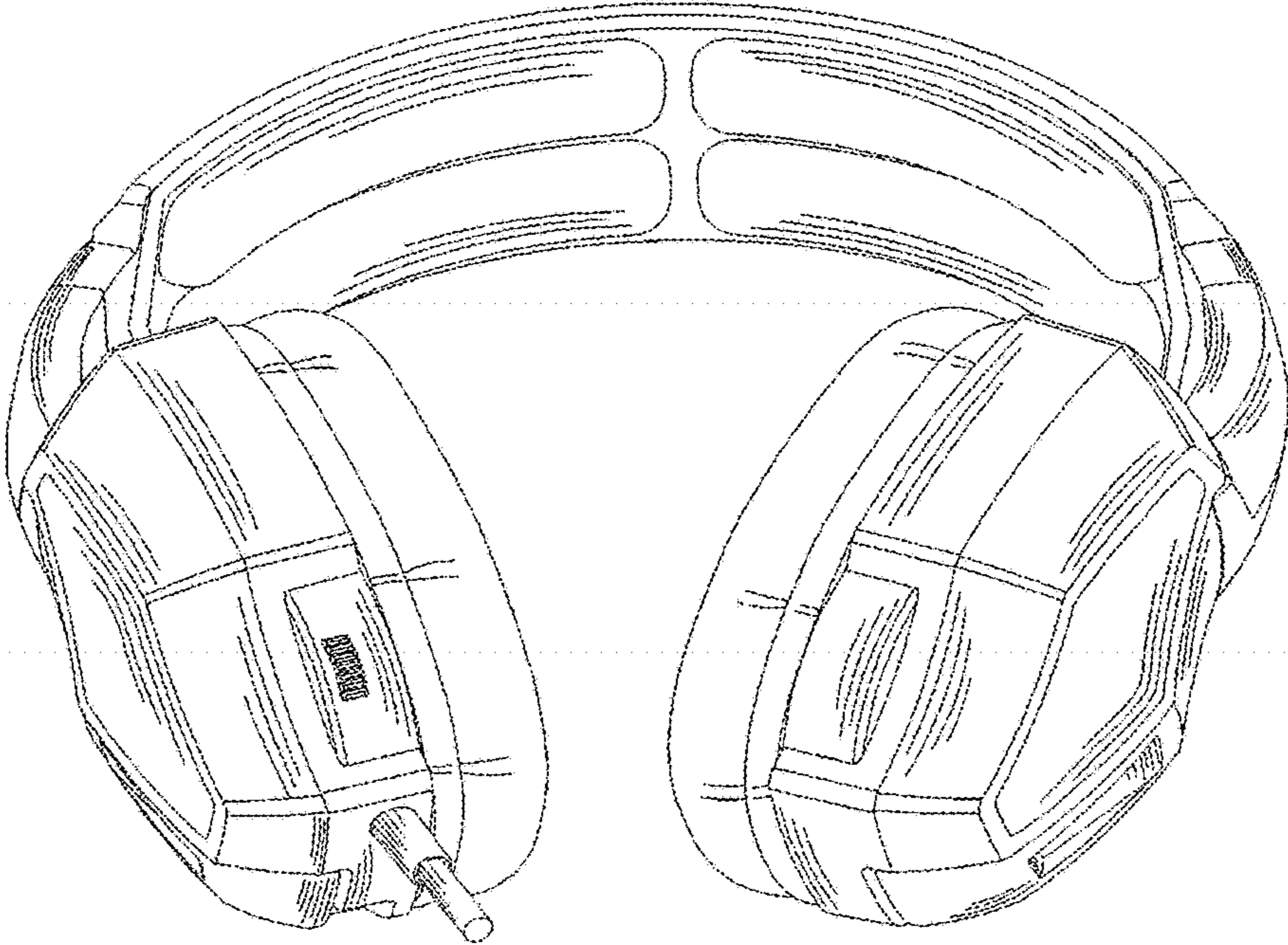


FIG. 9