



US00D791733S

(12) **United States Design Patent**  
**Brunner et al.**

(10) **Patent No.:** **US D791,733 S**  
(45) **Date of Patent:** **\*\* Jul. 11, 2017**

(54) **AUDIO LISTENING SYSTEM**

CPC ..... H04R 1/1066; H04R 1/1016; H04R 1/10;  
H04R 25/00; H04R 5/033; H04R 5/0335;  
H04R 1/1075; H04R 1/1091

(71) Applicant: **Apple Inc.**, Cupertino, CA (US)

See application file for complete search history.

(72) Inventors: **Robert Brunner**, San Francisco, CA (US); **Rhys Bonahoom**, Burlingame, CA (US); **Gregoire Vandebussche**, San Francisco, CA (US); **Nivay Anandarajah**, San Francisco, CA (US); **Christopher Fruhauf**, San Anselmo, CA (US)

(56) **References Cited**

U.S. PATENT DOCUMENTS

4,385,209 A *	5/1983	Greason .....	H04M 1/03 307/400
D328,074 S	7/1992	Yamazaki et al.	
D328,461 S	8/1992	Daido et al.	
D484,485 S *	12/2003	Matsuoka .....	D14/205
D504,414 S	4/2005	Yoshida	
6,980,165 B2 *	12/2005	Yuasa .....	H01Q 1/273 343/718
7,072,483 B2	7/2006	Lenhard-Backhaus	
D534,155 S	12/2006	Obata	

(Continued)

(73) Assignee: **Apple Inc.**, Cupertino, CA (US)

(\*\*) Term: **15 Years**

(21) Appl. No.: **29/559,678**

(22) Filed: **Mar. 30, 2016**

**Related U.S. Application Data**

(63) Continuation of application No. 29/527,765, filed on May 21, 2015, now Pat. No. Des. 760,687, which is a continuation of application No. 29/489,127, filed on Apr. 25, 2014, now Pat. No. Des. 731,457, and a continuation of application No. 29/490,507, filed on May 9, 2014, now Pat. No. Des. 732,000, which is a continuation-in-part of application No. 29/489,127, filed on Apr. 25, 2014, now Pat. No. Des. 731,457, said application No. 29/527,765 is a continuation of application No. 29/490,508, filed on May 9, 2014, now Pat. No. Des. 738,350, which is a continuation of application No. 29/489,127, filed on Apr. 25, 2014, now Pat. No. Des. 731,457.

(51) **LOC (10) Cl.** ..... **14-01**

(52) **U.S. Cl.**  
USPC ..... **D14/205**

(58) **Field of Classification Search**  
USPC ..... D14/205; D29/112; 2/209; 181/129,  
181/130, 135; 379/430, 431; 381/380,  
381/381, 379, 374, 74

OTHER PUBLICATIONS

U.S. Appl. No. 29/559,676, filed Mar. 30, 2016; Brunner et al.

*Primary Examiner* — Paula Greene

(74) *Attorney, Agent, or Firm* — Sterne, Kessler, Goldstein & Fox P.L.L.C.

(57) **CLAIM**

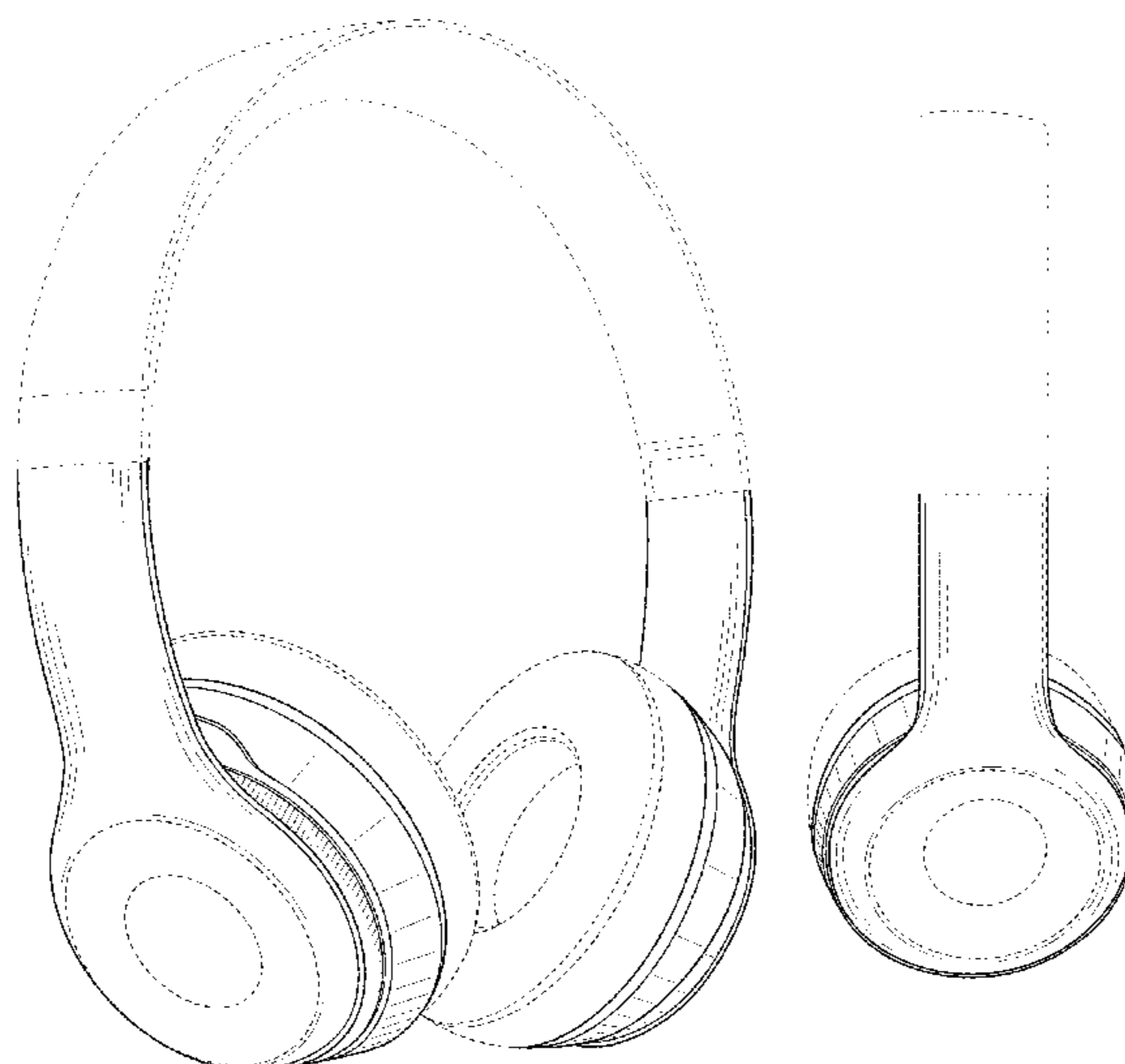
The ornamental design for an audio listening system, as shown and described.

**DESCRIPTION**

FIG. 1 is a front left perspective view of an audio listening system showing our new design;  
FIG. 2 is a rear view thereof;  
FIG. 3 is a front view thereof;  
FIG. 4 is a right side view thereof;  
FIG. 5 is a left side view thereof; and,  
FIG. 6 is a top view thereof.

The broken lines in the figures show portions of the audio listening system that form no part of the claimed design.

**1 Claim, 4 Drawing Sheets**



(56)

References Cited

U.S. PATENT DOCUMENTS

D540,301 S	4/2007	Obata		D683,329 S	5/2013	Hagelin	
D552,077 S	10/2007	Brunner et al.		D689,843 S	9/2013	Lee	
7,356,362 B2 *	4/2008	Chang .....	H04R 1/1033	D691,984 S	10/2013	Wang	
				D693,791 S	11/2013	Troy	
				D696,226 S *	12/2013	Brunner .....	H04R 5/033
							D14/205
D582,890 S *	12/2008	Koza .....	D14/205	D696,228 S	12/2013	Miyake et al.	
D585,870 S *	2/2009	Zheng .....	D14/205	D699,702 S	2/2014	Chen	
D592,182 S *	5/2009	Sanguinetti .....	D14/205	D706,240 S *	6/2014	Szymanski .....	H04R 1/1066
D600,674 S *	9/2009	Brennwald .....	D14/205				D14/205
D603,371 S *	11/2009	Boateng .....	D14/205	D715,255 S	10/2014	Nunez et al.	
D625,705 S	10/2010	Ohori et al.		D725,630 S *	3/2015	Nakagawa .....	D14/205
D628,554 S	12/2010	Tedja et al.		D731,457 S	6/2015	Brunner et al.	
D632,668 S	2/2011	Brunner et al.		D732,000 S	6/2015	Brunner et al.	
D635,959 S	4/2011	Hutchieson		D734,296 S *	7/2015	Paterson .....	D14/205
D637,176 S *	5/2011	Brunner .....	D14/205	D738,350 S	9/2015	Brunner et al.	
8,006,320 B1	8/2011	Rohbani		D739,378 S *	9/2015	Chung .....	D14/205
D652,406 S *	1/2012	Lee .....	D14/205	D742,357 S *	11/2015	Chung .....	D14/205
8,098,872 B2	1/2012	Chang		D760,687 S *	7/2016	Brunner .....	D14/205
D657,344 S	4/2012	Brunner et al.		D765,056 S *	8/2016	Yang .....	D14/205
D657,345 S *	4/2012	Brunner .....	H04R 5/033	D767,531 S *	9/2016	Szymanski .....	D14/205
			D14/205	2004/0216946 A1 *	11/2004	Lenhard-Backhaus	H04R 1/1066
D657,776 S	4/2012	Lee et al.					181/129
D660,823 S	5/2012	Hardi et al.		2008/0037816 A1 *	2/2008	Lee .....	H04R 5/0335
D660,824 S	5/2012	Hardi et al.					381/379
D662,080 S	6/2012	Carr et al.		2011/0206216 A1 *	8/2011	Brunner .....	H04R 1/1066
D663,716 S	7/2012	Hardi et al.					381/74
D664,117 S	7/2012	Tappeiner et al.		2013/0177195 A1 *	7/2013	Sze .....	H04R 1/1033
D671,914 S	12/2012	Lee et al.					381/384
D673,136 S	12/2012	Kelly et al.		2013/0343591 A1 *	12/2013	Brunner .....	H04R 1/1066
D673,520 S	1/2013	Tan					381/371
D675,595 S	2/2013	Cho et al.		2015/0189422 A1 *	7/2015	Nakano .....	H04R 1/105
D677,648 S	3/2013	Lee et al.					381/378
D678,860 S	3/2013	Hagelin		2016/0212519 A1 *	7/2016	Henderson .....	H04R 5/0335

\* cited by examiner

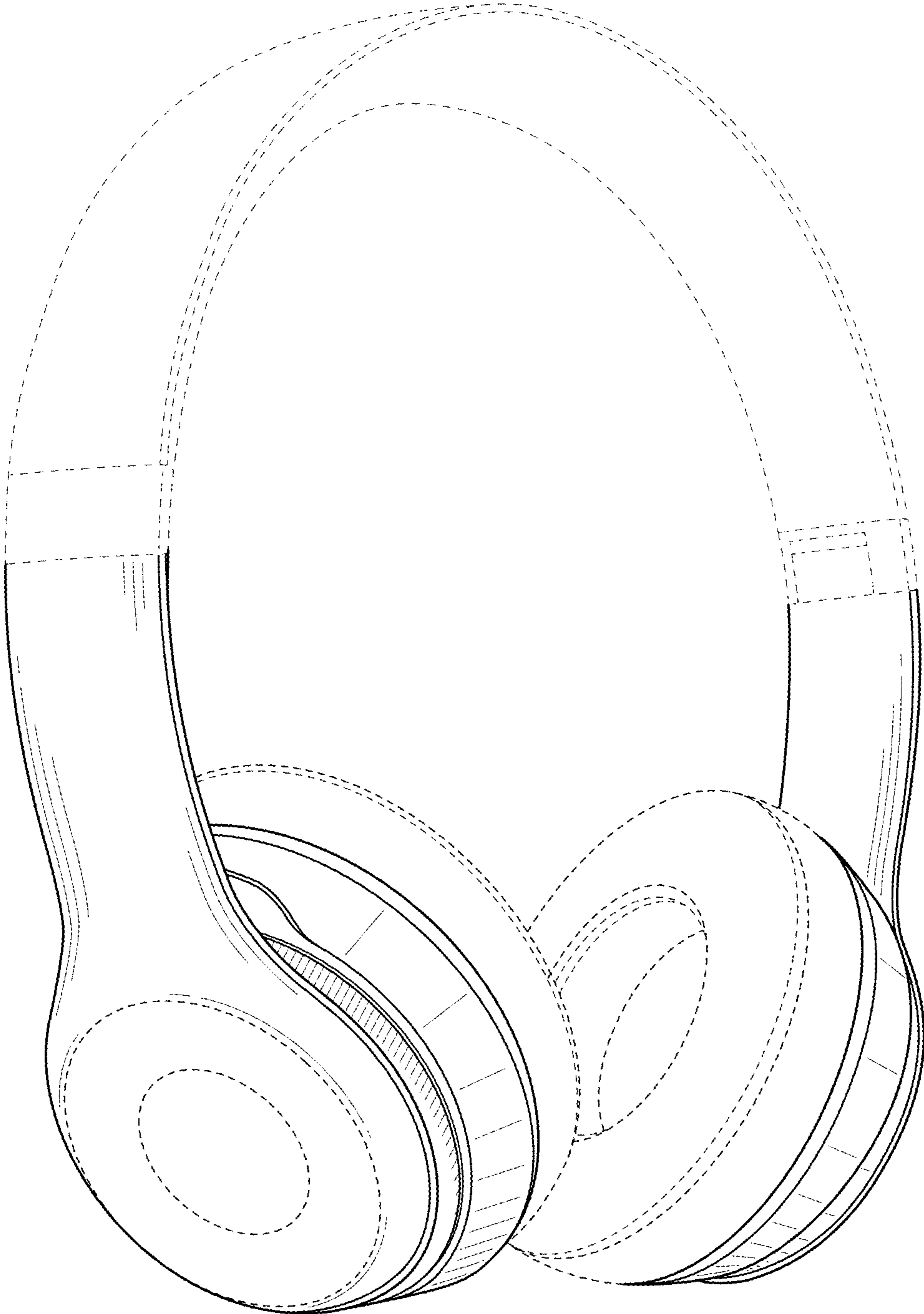
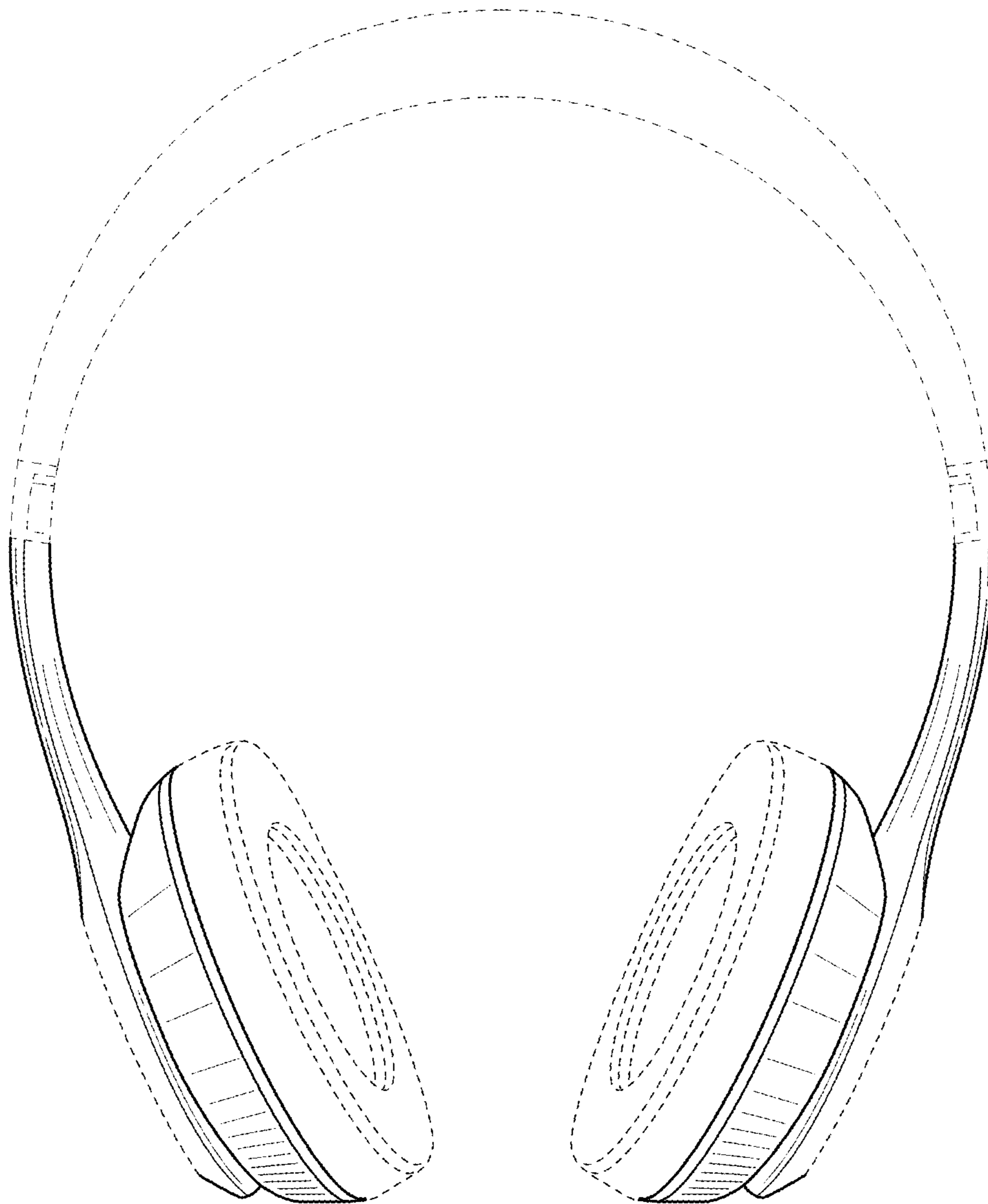
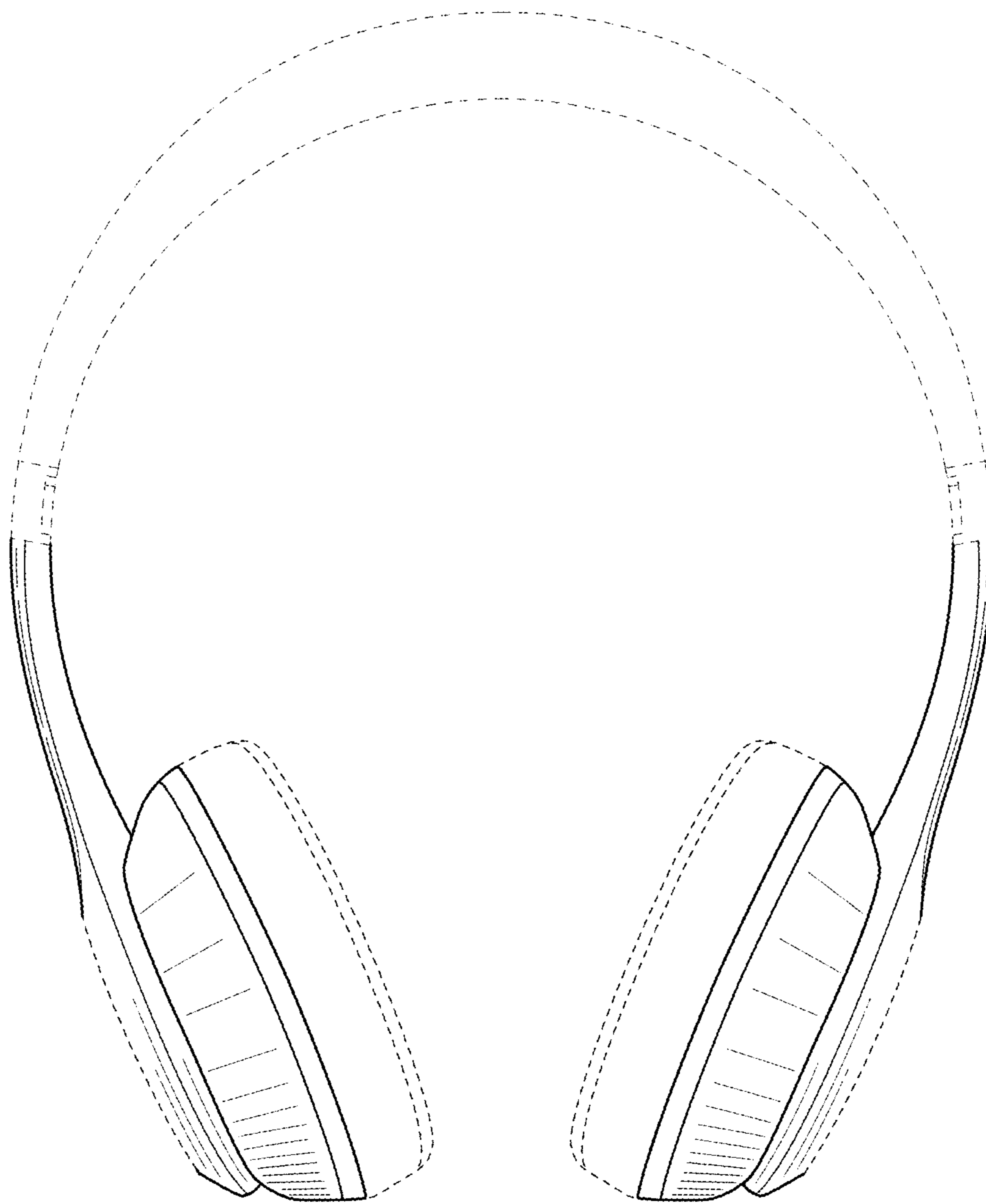


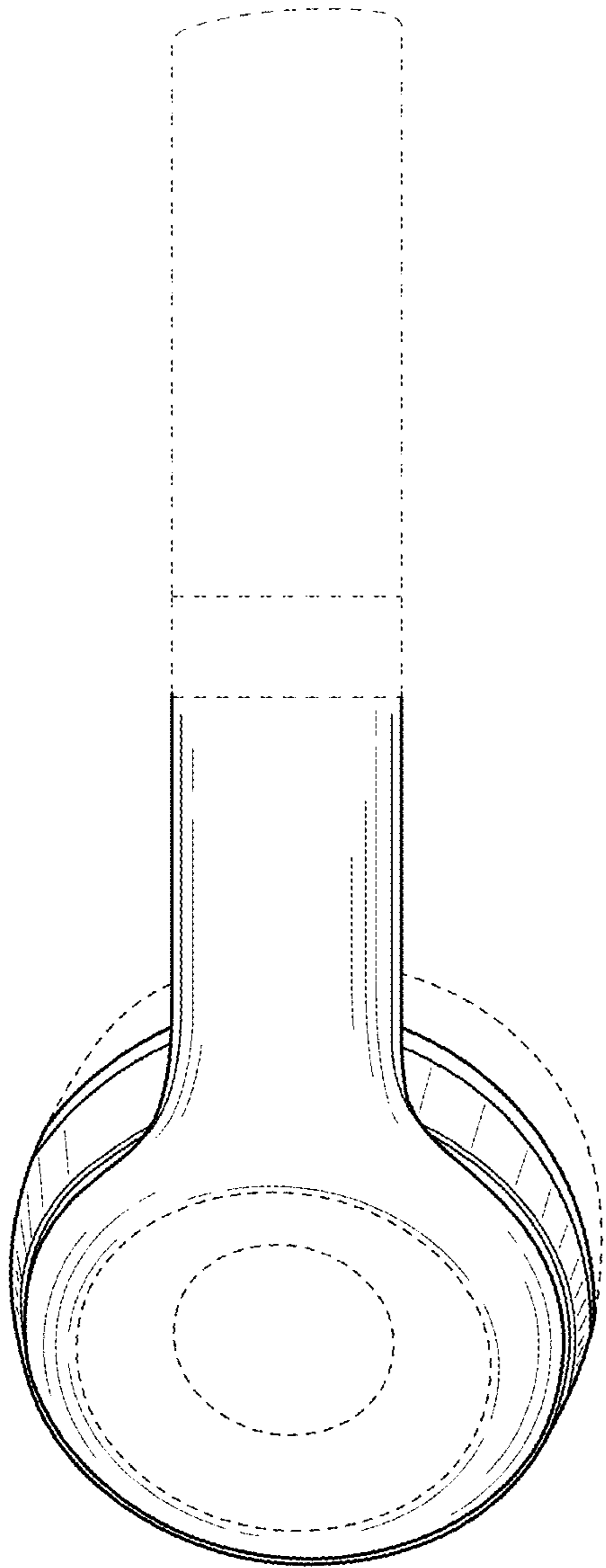
FIG. 1



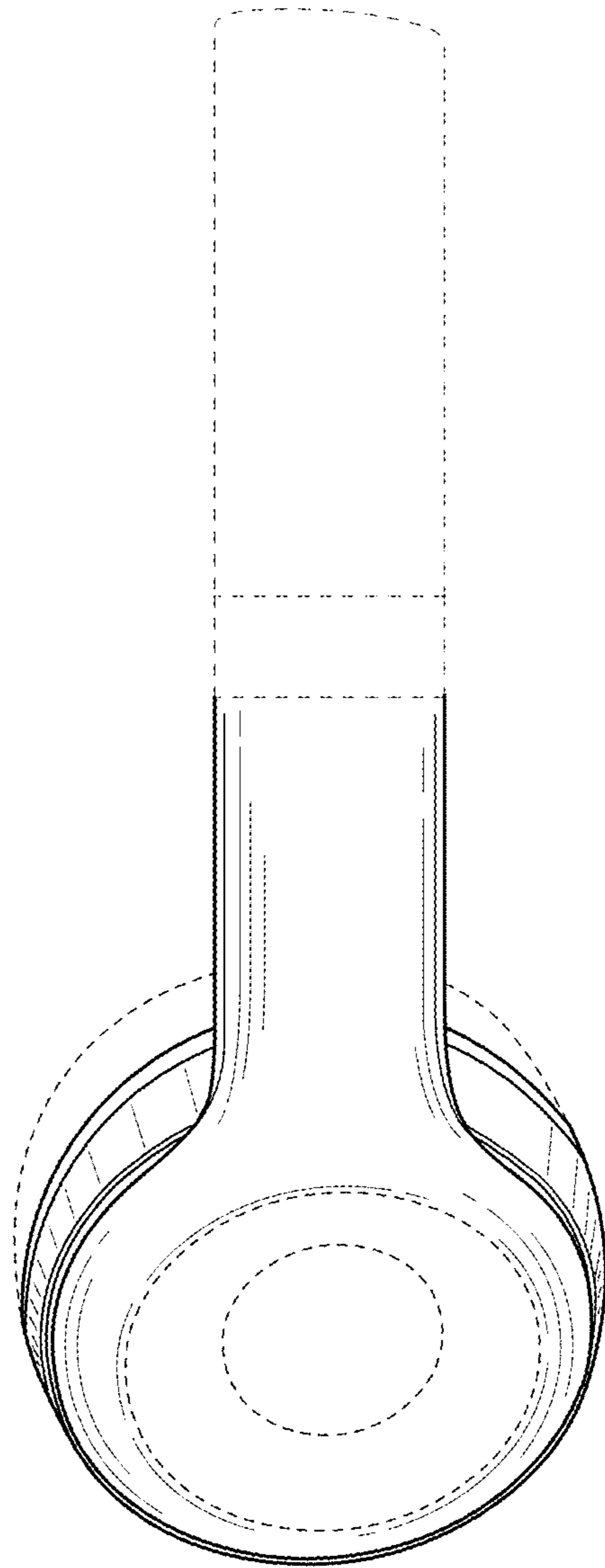
**FIG. 2**



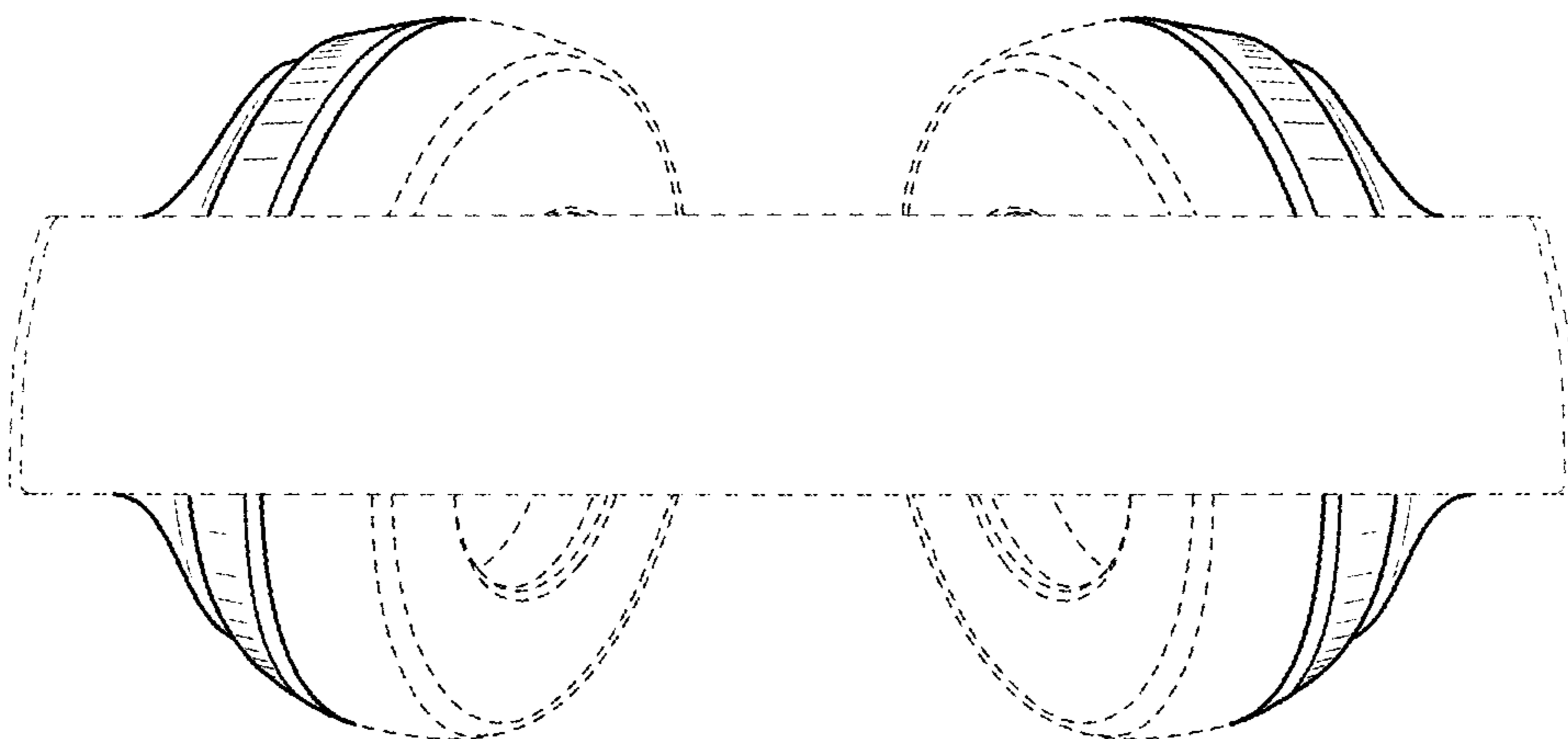
**FIG. 3**



**FIG. 4**



**FIG. 5**



**FIG. 6**