

US00D791731S

(12) **United States Design Patent** (10) **Patent No.:** **US D791,731 S**
Aihara (45) **Date of Patent:** **** Jul. 11, 2017**

(54) **ELECTRONIC DEVICE**

D726,170 S * 4/2015 Ng D14/250
D733,119 S * 6/2015 Tanaka D14/315
D775,100 S * 12/2016 Teruyama D14/138 G

(71) Applicant: **KYOCERA Corporation**, Kyoto-shi,
Kyoto (JP)

(72) Inventor: **Tateki Aihara**, Osaka (JP)

(73) Assignee: **KYOCERA CORPORATION**,
Kyoto-shi, Kyoto (JP)

(**) Term: **15 Years**

(21) Appl. No.: **29/553,030**

(22) Filed: **Jan. 28, 2016**

(30) **Foreign Application Priority Data**

Dec. 14, 2015 (JP) 2015-027847

(51) **LOC (10) Cl.** **14-03**

(52) **U.S. Cl.**
USPC **D14/138 G**

(58) **Field of Classification Search**

USPC D14/138 AA, 138 AB, 138 AD, 138 AC,
D14/138 C, 138 G, 138 R, 248, 250, 253,
D14/341, 440; D3/215, 218, 269
CPC H05K 5/0217; H04M 1/03; H04B 1/3888;
H04N 5/2252

See application file for complete search history.

(56) **References Cited**

U.S. PATENT DOCUMENTS

D576,598 S * 9/2008 Lim D14/138 AA
D597,046 S * 7/2009 Millora D14/138 AA
D635,134 S * 3/2011 Li D14/315
D648,696 S * 11/2011 Hirota D14/138 AB
D682,240 S * 5/2013 Hirota D14/138 AB
D687,806 S * 8/2013 Hachiya D14/138 G
D695,734 S * 12/2013 Nishimura D14/318
D701,211 S * 3/2014 Ng D14/440
D716,294 S * 10/2014 Park D14/341

OTHER PUBLICATIONS

<http://www.samsung.com/uk/consumer/mobile-devices/smartphones/others/SM-G388FDSABTU>.
<http://juggly.cn/archives/145664.html>.

* cited by examiner

Primary Examiner — Sheryl Lane

Assistant Examiner — Calvin E Vansant

(74) *Attorney, Agent, or Firm* — Kenja IP Law PC

(57) **CLAIM**

The ornamental design for an electronic device, as shown and described.

DESCRIPTION

FIG. 1 is a front perspective view of an electronic device showing my new design;
FIG. 2 is a rear perspective view thereof;
FIG. 3 is a front view thereof;
FIG. 4 is a rear view thereof;
FIG. 5 is a top plan view thereof;
FIG. 6 is a bottom view thereof;
FIG. 7 is a right side view thereof;
FIG. 8 is a left side view thereof; and,
FIG. 9 is a cross-sectional view taken along line 9-9 in FIG. 3.

The portions of the electronic device shown in broken lines in FIG. 9 form no part of the claimed design. The dot-dashed lines in FIG. 9 show a boundary and form no part of the claimed design.

1 Claim, 9 Drawing Sheets

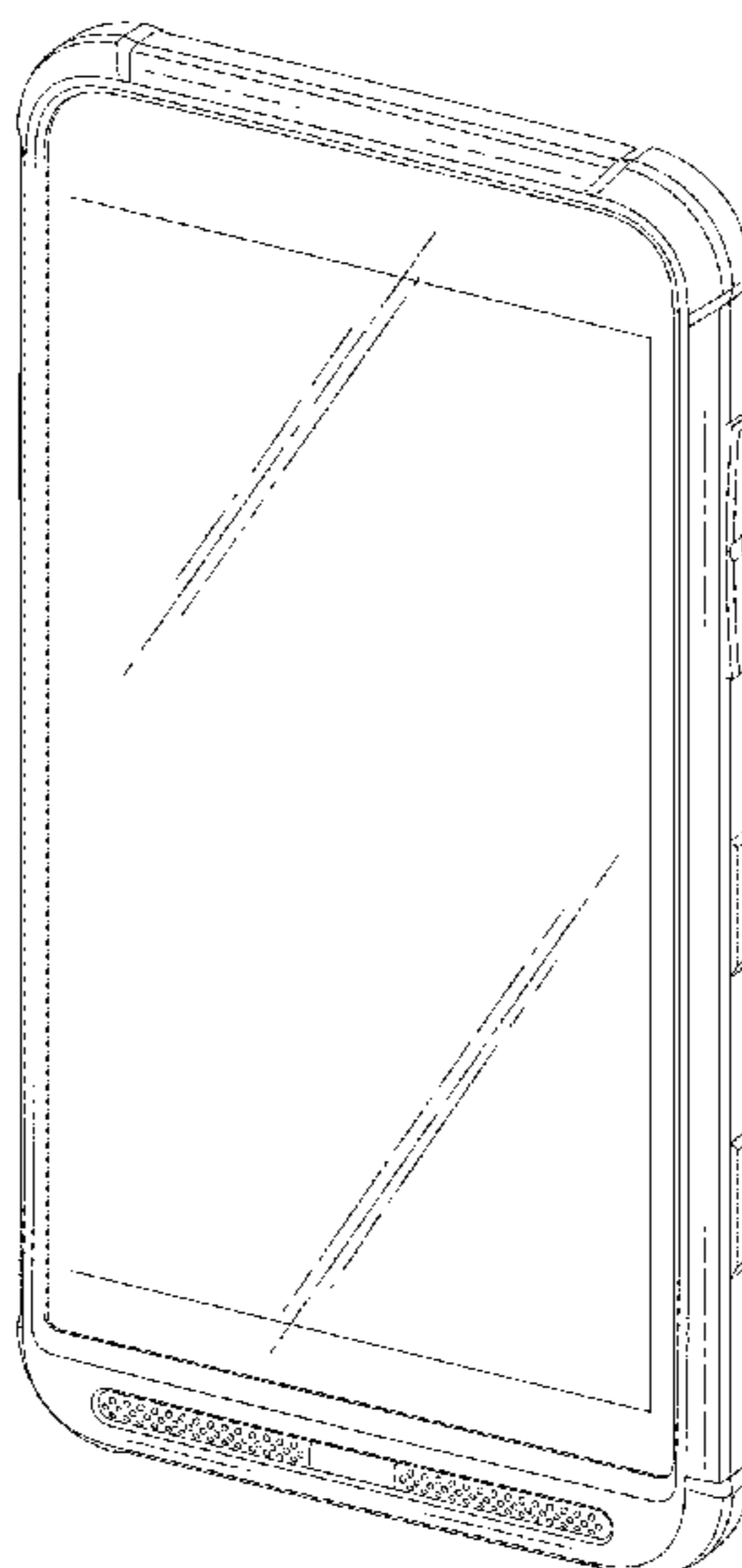


FIG. 1

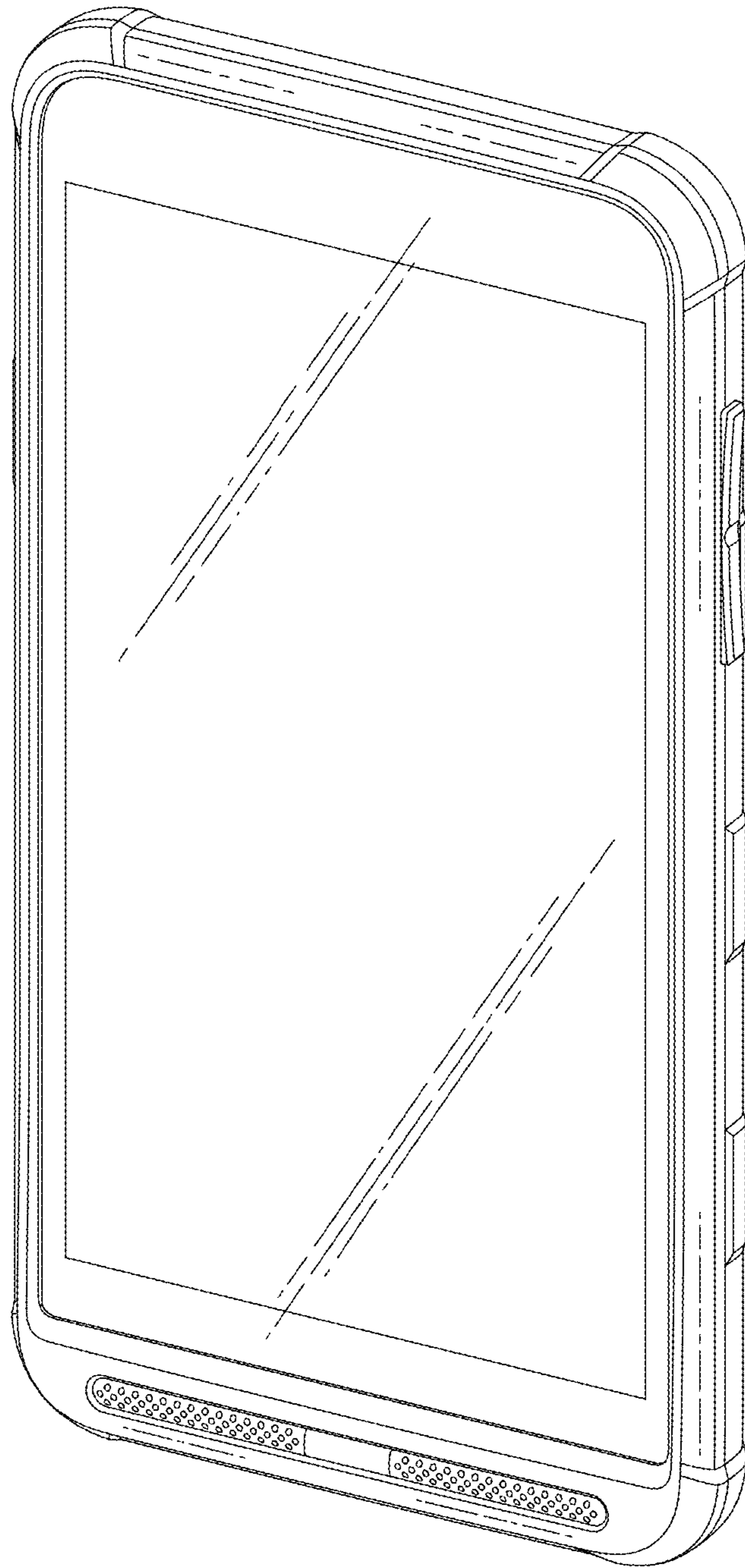


FIG. 2

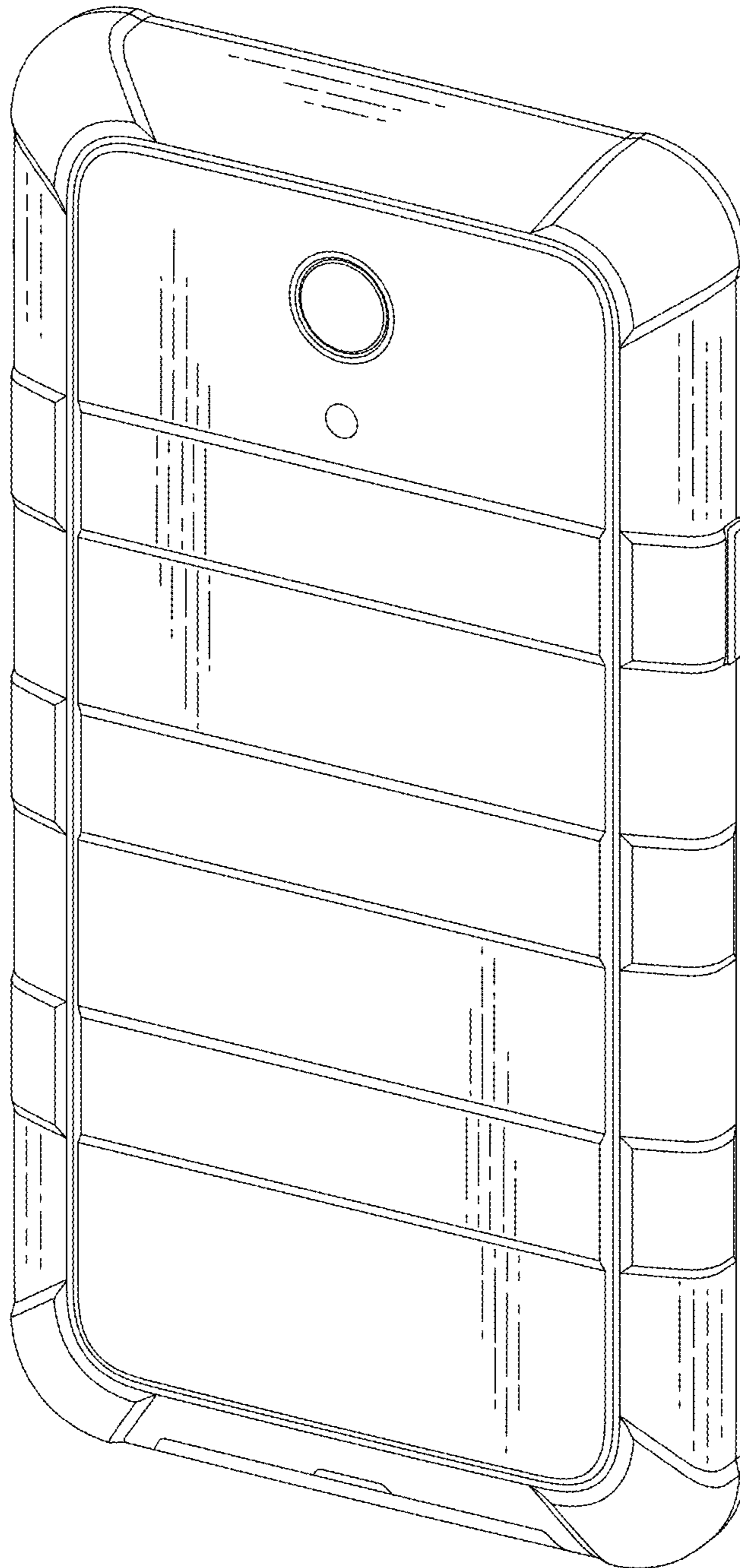


FIG. 3

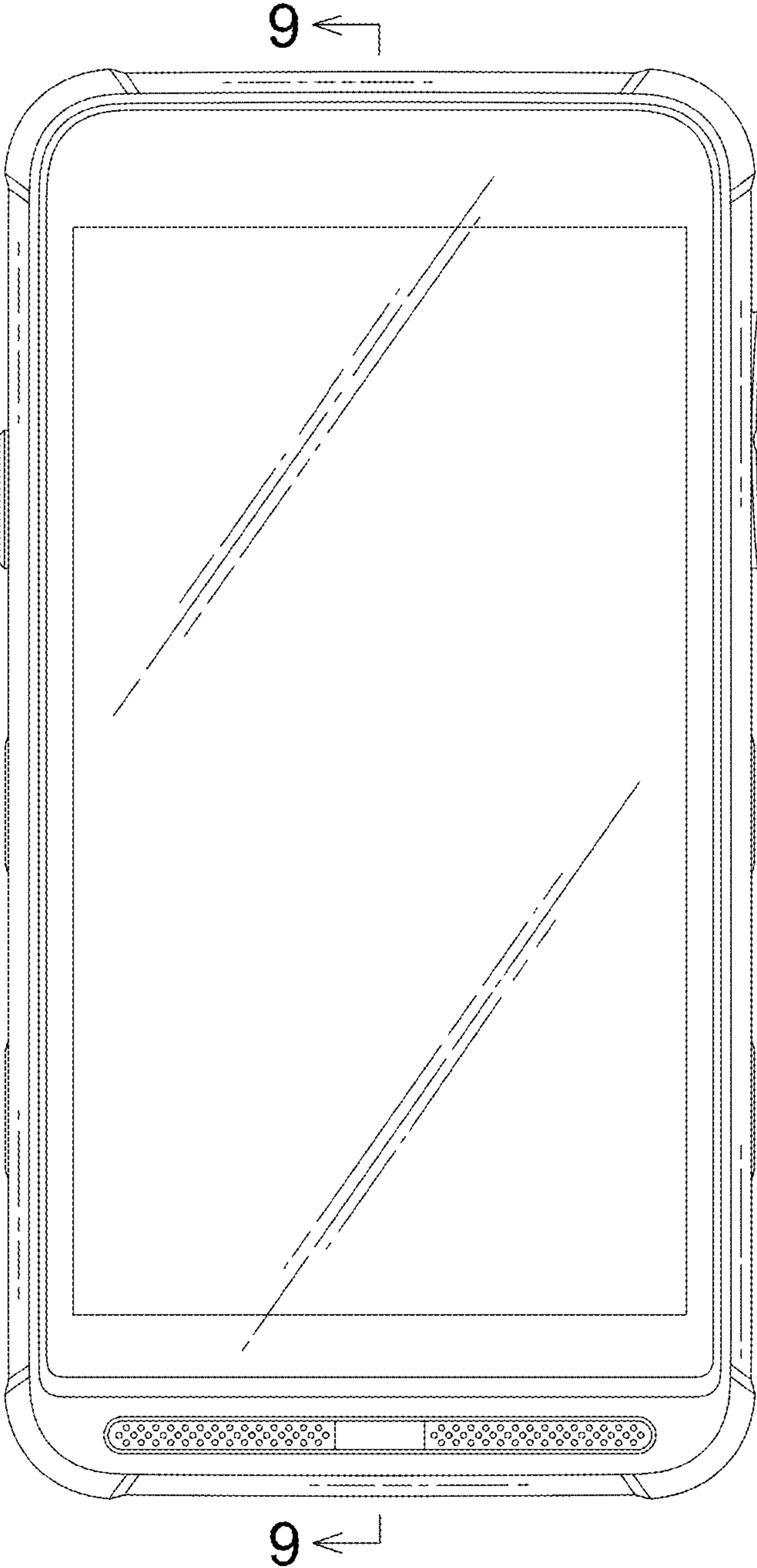


FIG. 4

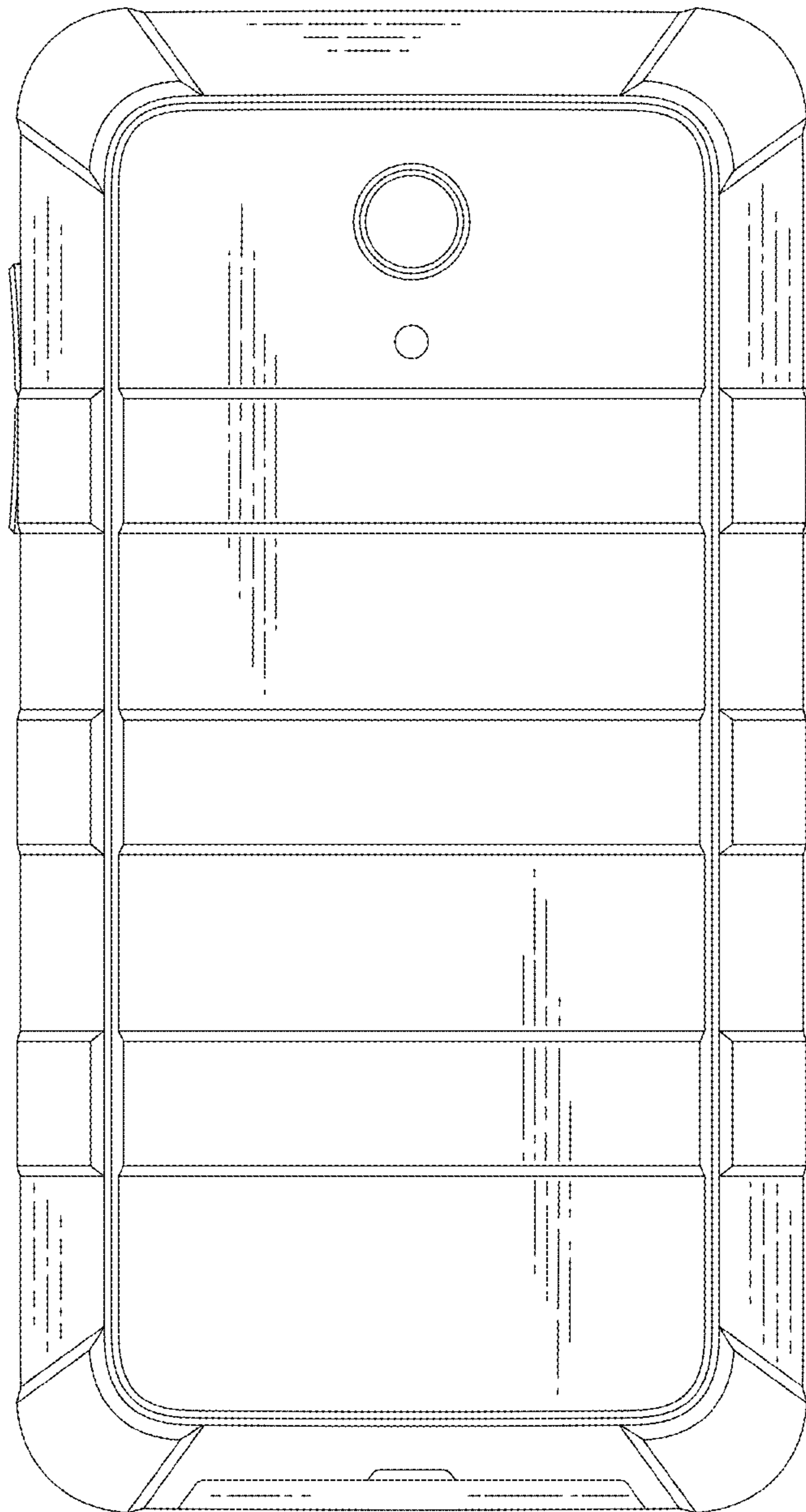


FIG. 5

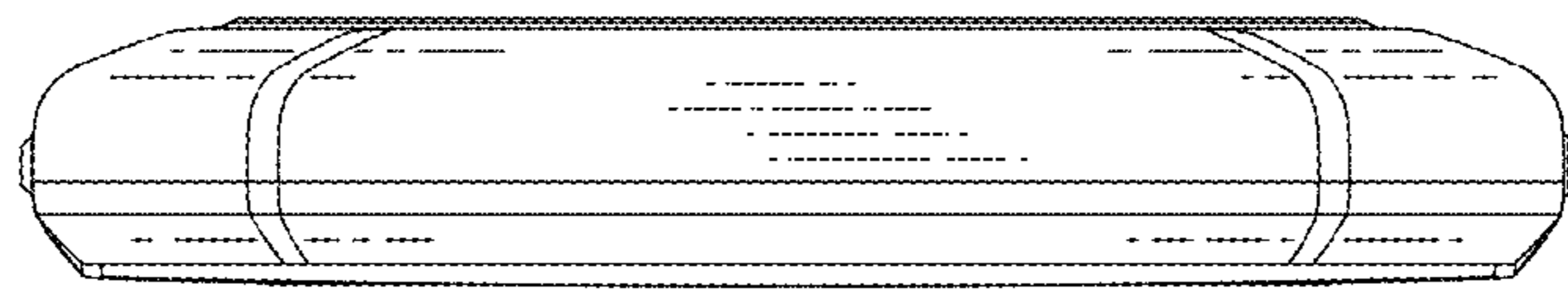


FIG. 6

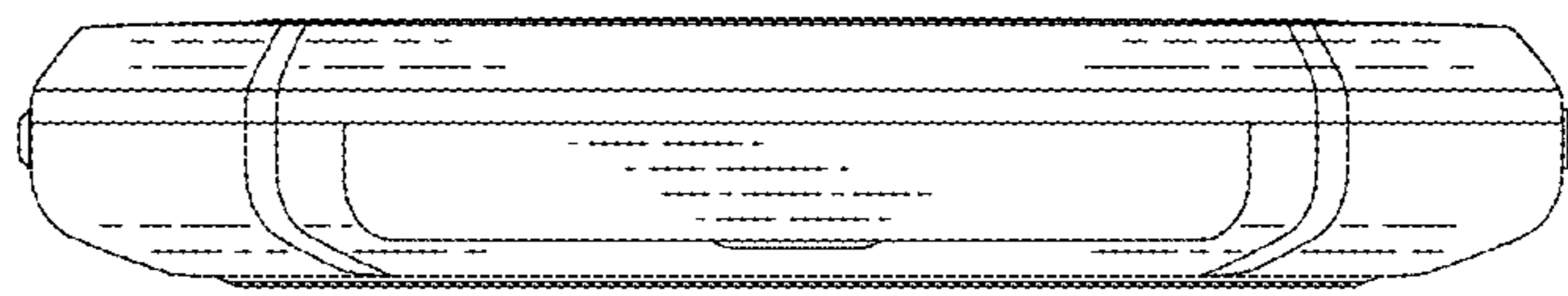


FIG. 7

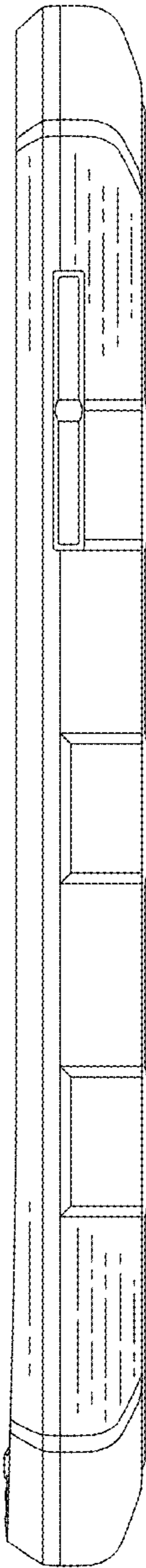


FIG. 8

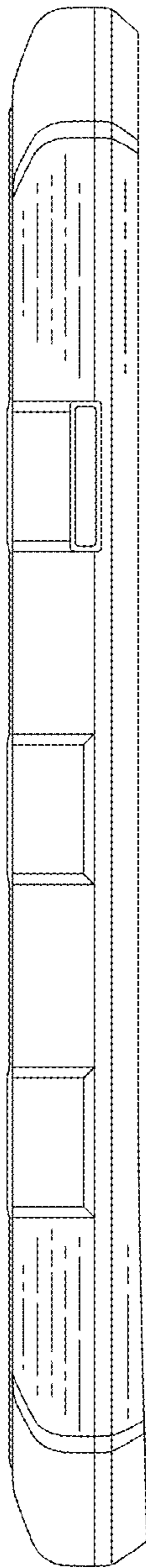


FIG. 9

