



US00D791720S

(12) **United States Design Patent** (10) **Patent No.:** **US D791,720 S**
Barna et al. (45) **Date of Patent:** **** Jul. 11, 2017**

(54) **WIRELESS LIGHTING CONTROL SYSTEM DEVICE**
(71) Applicant: **RAB Lighting Inc.**, Northvale, NJ (US)
(72) Inventors: **Ross Barna**, New York, NY (US); **Michael Theodore Case-Hayes**, Long Island City, NY (US); **Gregory Allen Mihalko, Jr.**, Brooklyn, NY (US)
(73) Assignee: **RAB Lighting Inc.**, Northvale, NJ (US)
(**) Term: **14 Years**
(21) Appl. No.: **29/507,573**
(22) Filed: **Oct. 29, 2014**
(51) **LOC (10) Cl.** **14-03**
(52) **U.S. Cl.**
USPC **D13/168**
(58) **Field of Classification Search**
USPC D13/168, 174; D14/218; D8/376, 477; D23/266; D27/163
CPC H03J 1/0025; H03J 9/00; H03J 9/02; H03J 9/04; H03J 9/06; H01H 2009/187; H01H 9/02; H01H 9/0214; H01H 9/0242; H01H 9/18; H05B 37/02; H05B 37/0227; H05B 37/0272; H05B 39/088; G08C 17/00; G08C 17/02; G08C 19/28; G08C 23/02; G08C 23/04
See application file for complete search history.

(56) **References Cited**
U.S. PATENT DOCUMENTS
D322,609 S * 12/1991 Patton D14/218
6,204,584 B1 * 3/2001 Muszynski H02K 1/2733
310/156.08
D475,126 S * 5/2003 Bonne D23/266
D481,016 S * 10/2003 Hillis D13/168
D499,702 S * 12/2004 Abe D13/168

6,940,230 B2 * 9/2005 Myron H05B 41/42
315/159
D530,681 S * 10/2006 Huang D13/168
D552,043 S * 10/2007 Thursfield D13/168
D578,871 S * 10/2008 Rogers D8/376
D597,637 S * 8/2009 Krohmer D23/266
D601,976 S * 10/2009 Petrillo D13/168
D625,294 S * 10/2010 Wada D14/218
D685,750 S * 7/2013 Nakagawa D13/168
D690,662 S * 10/2013 Maier D13/168
9,006,998 B2 * 4/2015 Dau H05B 33/0845
315/308
2005/0007031 A1 * 1/2005 Hyder F21S 2/005
315/276
2009/0278479 A1 * 11/2009 Platner H05B 37/0245
315/312

(Continued)

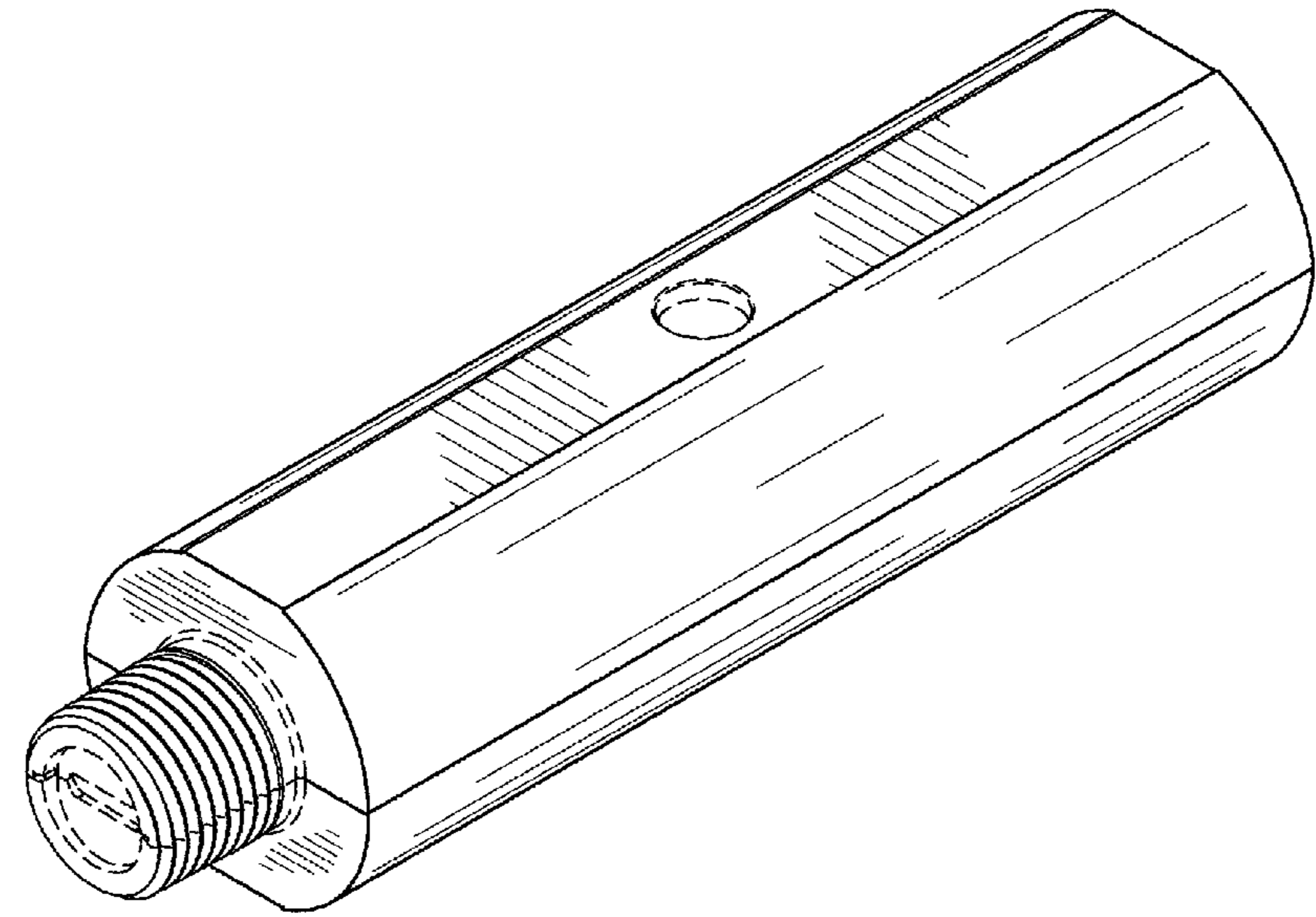
Primary Examiner — Selina Sikder
(74) *Attorney, Agent, or Firm* — SmithAmundsen LLC;
Douglas G. Gallagher; Stephen L. Farris

(57) **CLAIM**
The ornamental design for a wireless lighting control system device, substantially as shown and described.

DESCRIPTION

FIG. 1 is a top perspective view of an embodiment of the new design;
FIG. 2 is a bottom perspective view of the embodiment of FIG. 1;
FIG. 3 is a top view of the embodiment of FIG. 1;
FIG. 4 is a bottom view of the embodiment of FIG. 1;
FIG. 5 is a left side view of the embodiment of FIG. 1;
FIG. 6 is a right side view of the embodiment of FIG. 1;
FIG. 7 is a front view of the embodiment of FIG. 1; and,
FIG. 8 is a rear view of the embodiment of FIG. 1.
The broken lines shown in the drawings are for the purpose of illustrating portions of the article that form no part of the claimed design.

1 Claim, 4 Drawing Sheets



(56)

References Cited

U.S. PATENT DOCUMENTS

2013/0229132 A1* 9/2013 Fong G08C 19/00
315/312

* cited by examiner

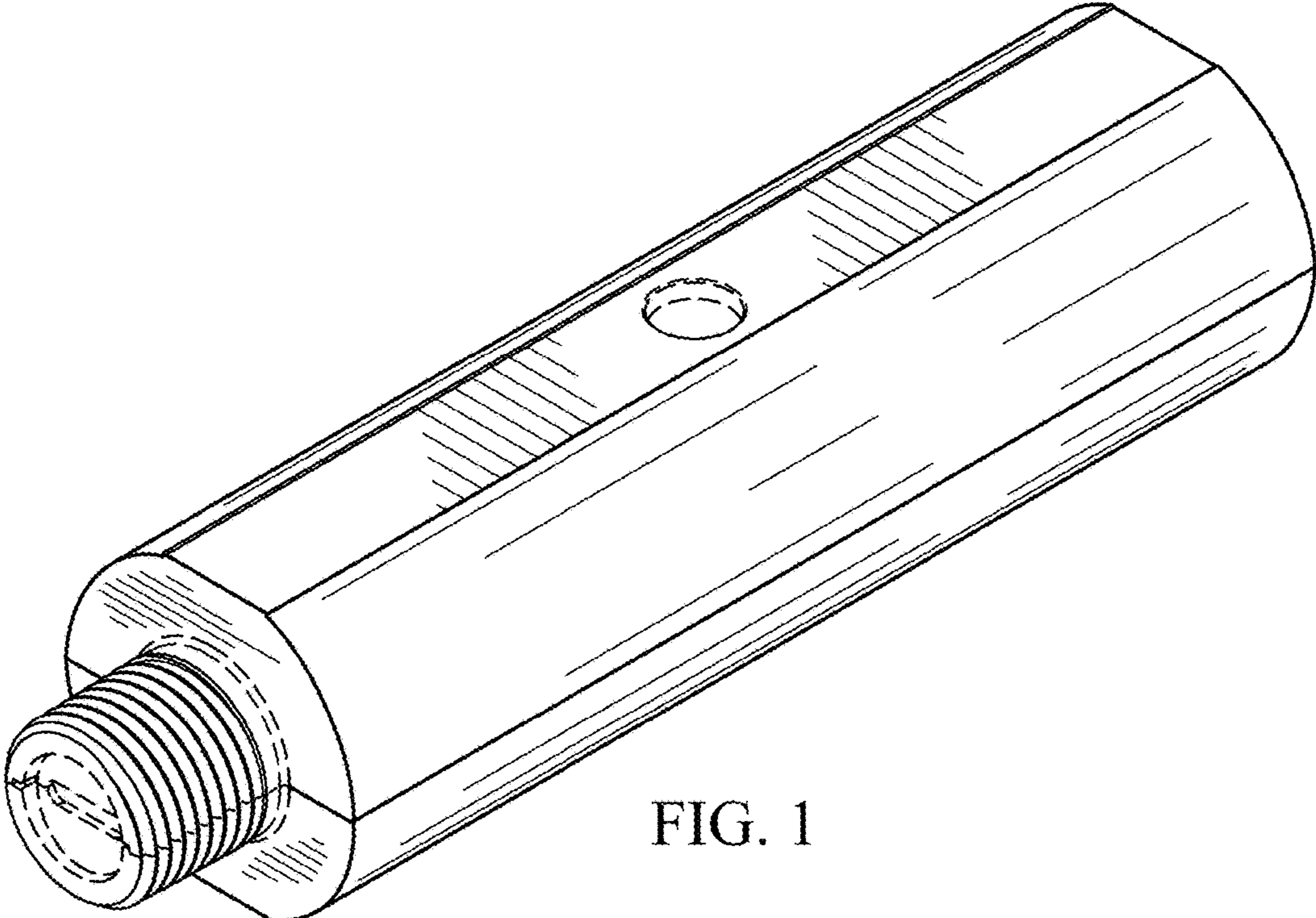


FIG. 1

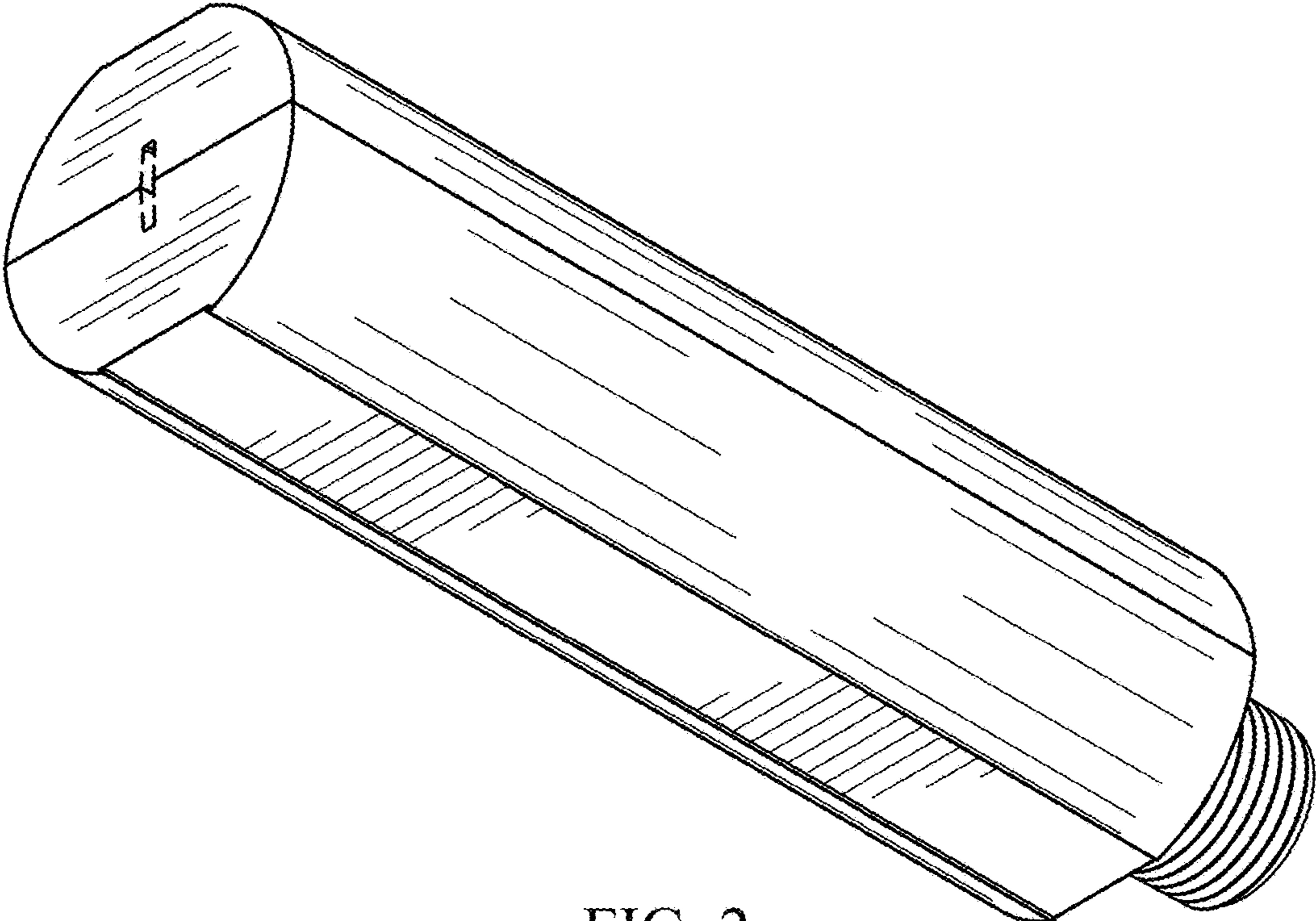


FIG. 2

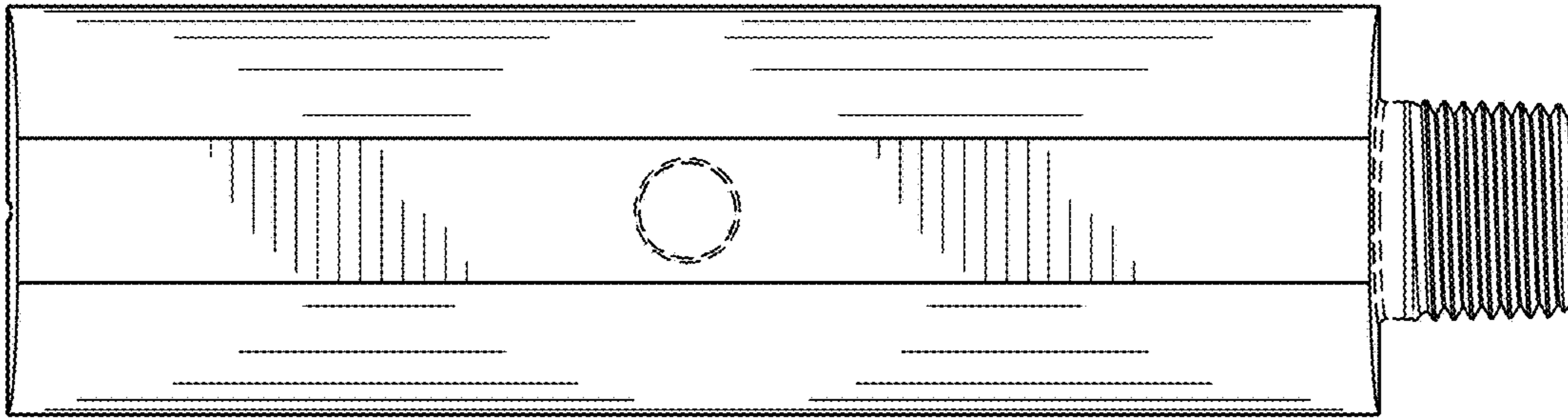


FIG. 3

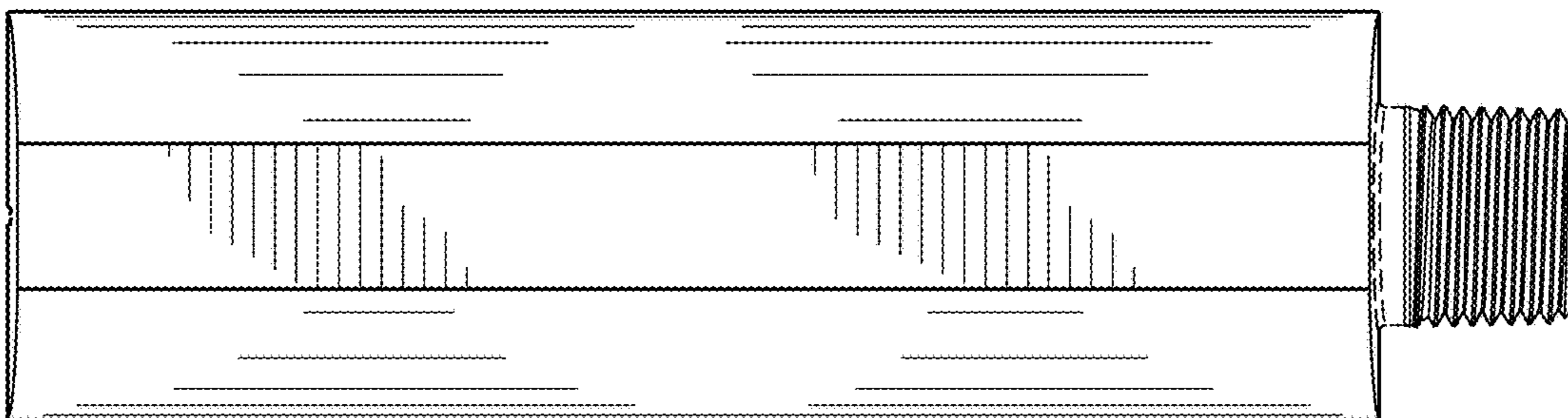


FIG. 4

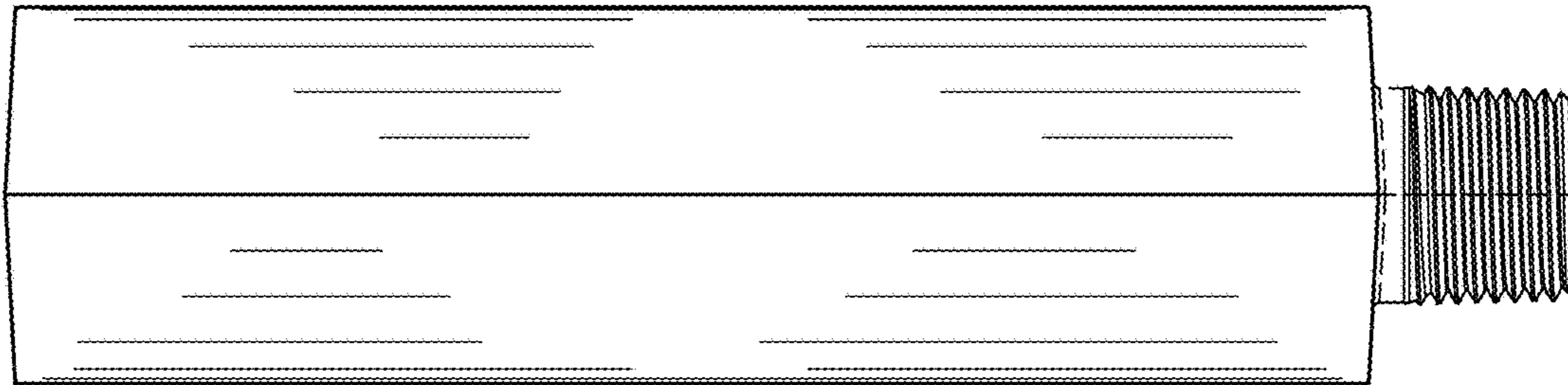


FIG. 5

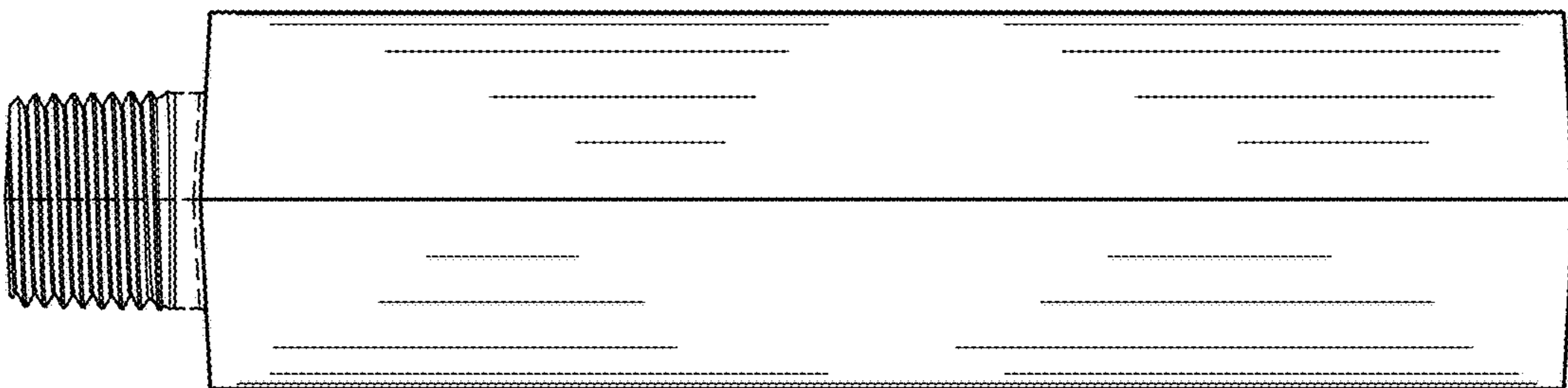


FIG. 6

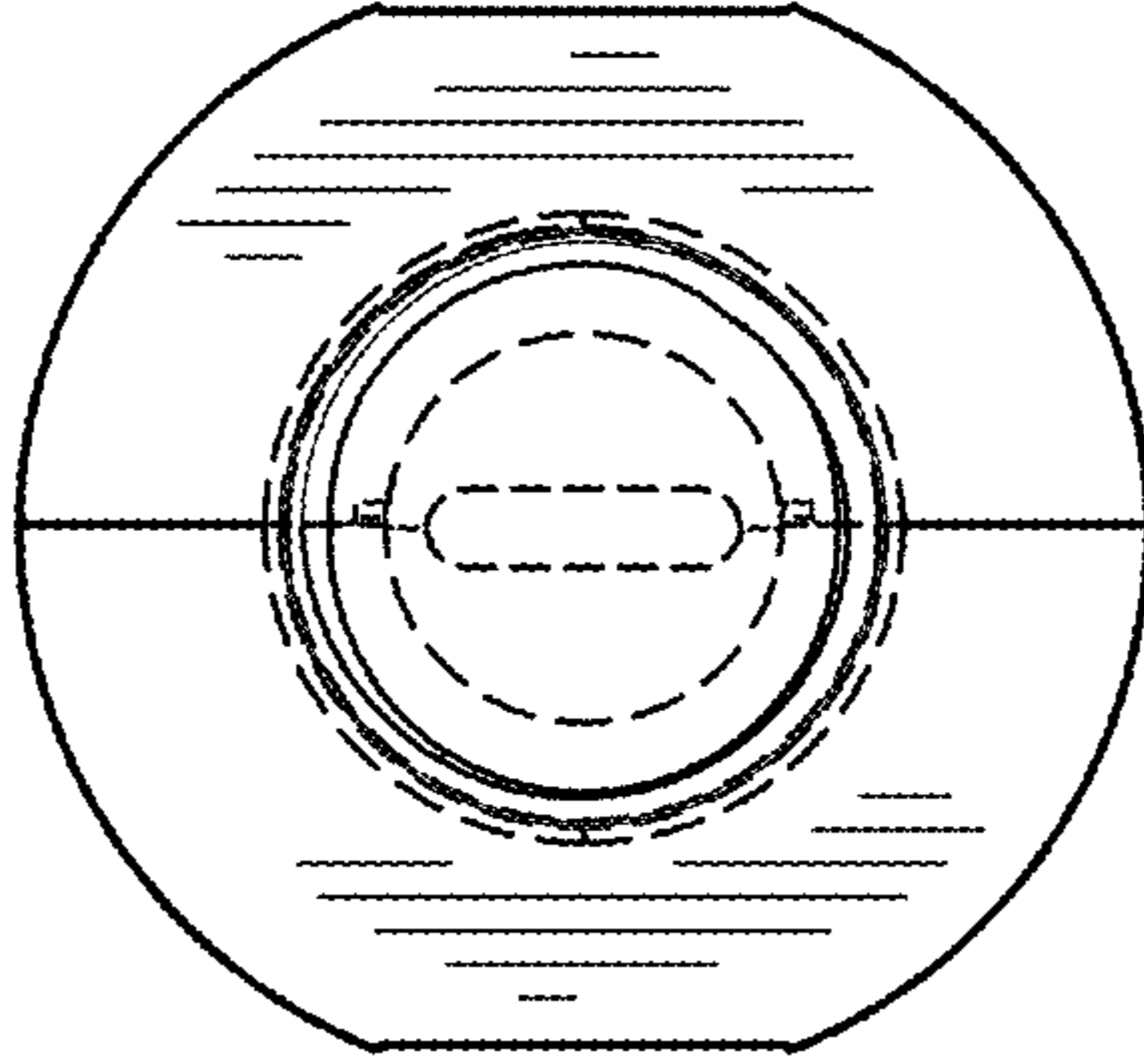


FIG. 7

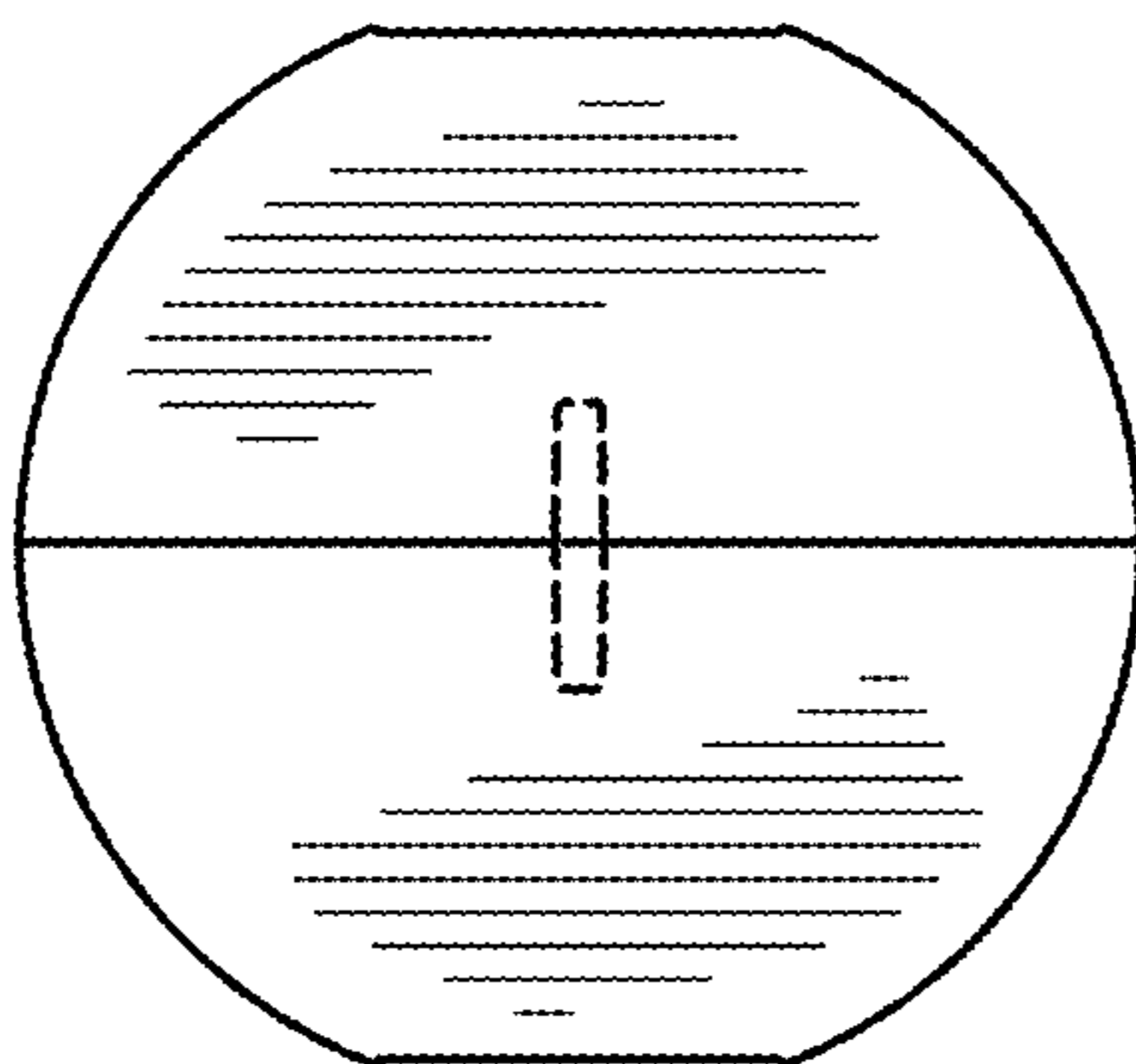


FIG. 8