



US00D791718S

(12) **United States Design Patent** (10) **Patent No.:** **US D791,718 S**  
**Conti** (45) **Date of Patent:** **\*\* Jul. 11, 2017**

(54) **CONTROLLER FOR A LIGHTING DEVICE**

(71) Applicant: **Production Resource Group, LLC,**  
New Windsor, NY (US)

(72) Inventor: **Christopher Conti,** Rutherford, NJ  
(US)

(73) Assignee: **Production Resource Group, LLC,**  
New Windsor, NY (US)

(\*\*) Term: **15 Years**

(21) Appl. No.: **29/543,457**

(22) Filed: **Oct. 23, 2015**

(51) **LOC (10) Cl.** ..... **13-03**

(52) **U.S. Cl.**  
USPC ..... **D13/163**

(58) **Field of Classification Search**  
USPC ..... D13/158, 162, 163; D16/214; D14/217,  
D14/307  
CPC H05B 33/0803; H05B 33/0806; H05B 37/02;  
H05B 37/029; H05B 37/0254; H05B  
37/0272; H05B 39/02; H05B 39/04;  
H05B 39/085; H05B 39/086; H05B  
39/088; G03B 15/02; G03B 15/03; F21V  
23/04

See application file for complete search history.

(56) **References Cited**

**U.S. PATENT DOCUMENTS**

D388,055 S *	12/1997	Mariotta .....	D10/103
D399,493 S *	10/1998	Nakajima .....	D10/75
D442,560 S *	5/2001	Price .....	D13/163
D541,267 S *	4/2007	Sagen .....	D14/307
D661,291 S *	6/2012	Renukanand .....	D14/307
8,773,364 B2 *	7/2014	Adenau .....	H05B 37/029 345/173

9,097,957 B2 *	8/2015	Pohlert .....	G03B 15/02
9,491,344 B2 *	11/2016	Takabatake .....	H04N 5/2256
2005/0083704 A1 *	4/2005	Pohlert .....	F21K 9/65 362/494
2005/0259409 A1 *	11/2005	Pohlert .....	F21K 9/65 362/3
2007/0103447 A1 *	5/2007	Varian .....	G06F 3/0219 345/173
2008/0012849 A1 *	1/2008	Snyder .....	G06F 3/0238 345/418

\* cited by examiner

*Primary Examiner* — Selina Sikder

(74) *Attorney, Agent, or Firm* — Law Office of Scott C  
Harris, Inc

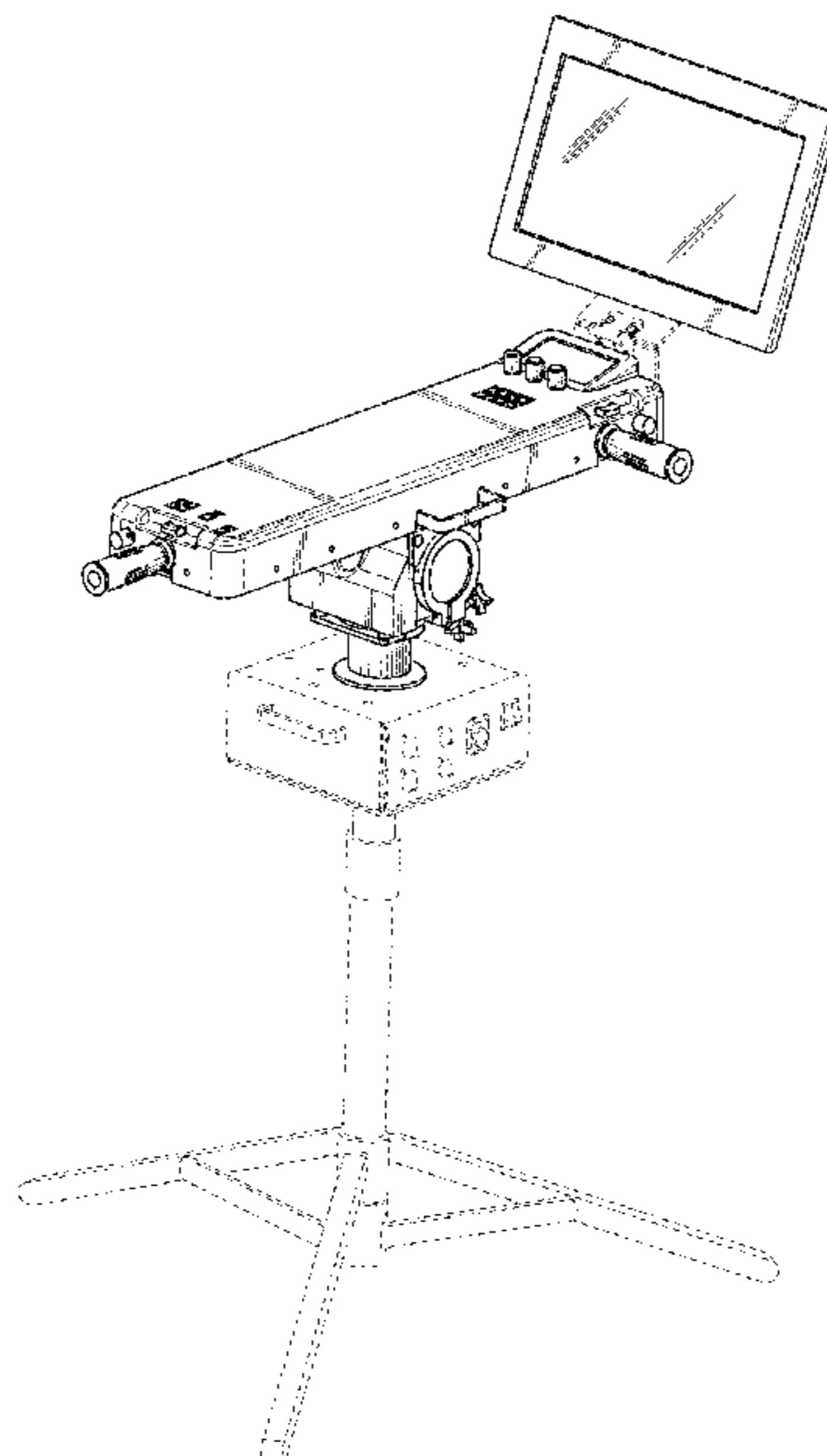
(57) **CLAIM**

I claim the ornamental design for a controller for a lighting device, as shown and described.

**DESCRIPTION**

FIG. 1 is a side perspective view of the controller for a lighting device;  
FIG. 2 is a front view of the controller for a lighting device;  
FIG. 3 shows a rear view of the controller for a lighting device;  
FIG. 4 shows a side view of the controller for a lighting device from a first side;  
FIG. 5 shows a side view of the controller for a lighting device from a second side;  
FIG. 6 shows a top view of the controller for a lighting device; and,  
FIG. 7 shows a bottom view of the controller for a lighting device.  
The portions of the controller shown in broken lines form no part of the claimed design.

**1 Claim, 6 Drawing Sheets**



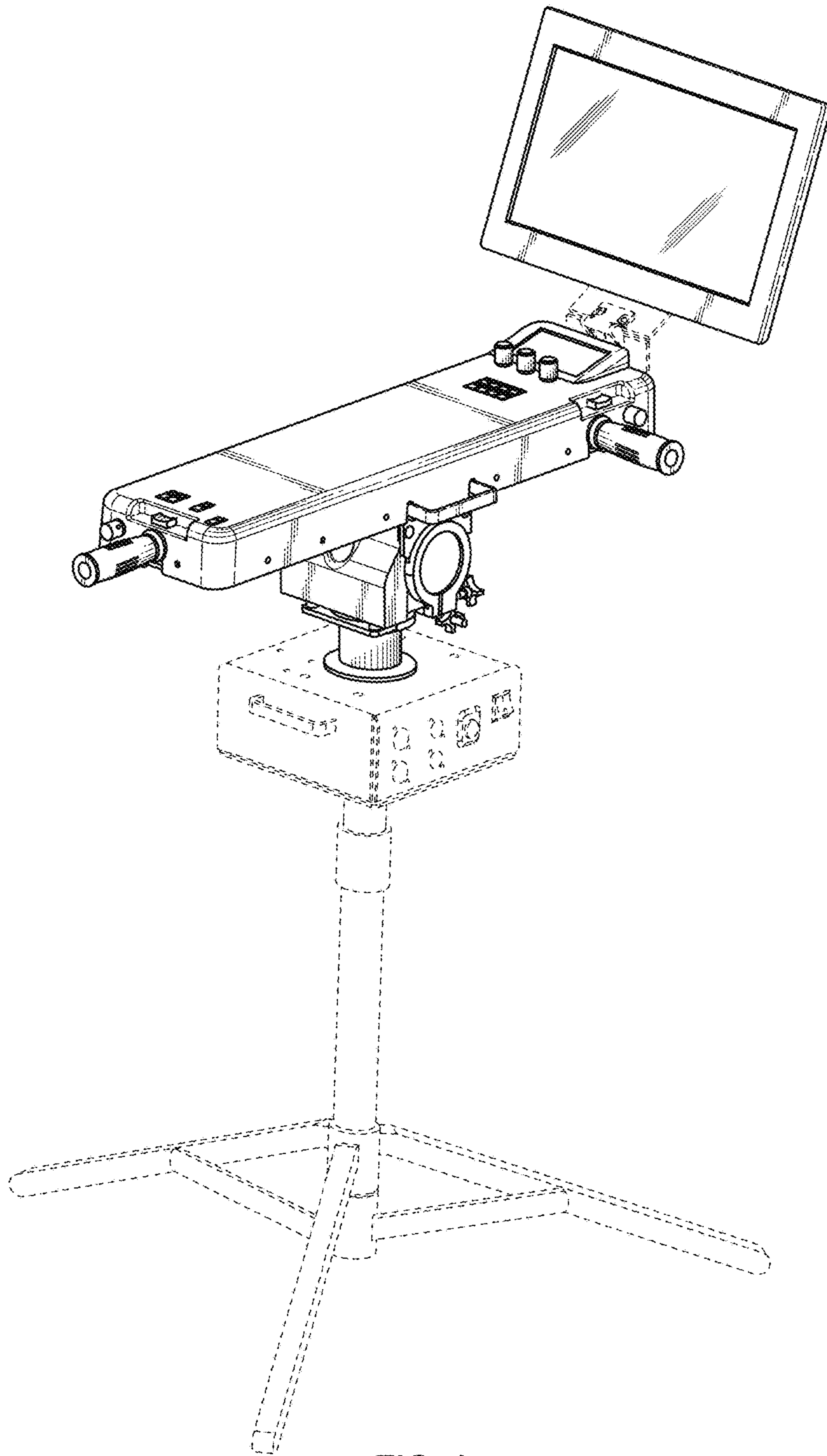


FIG. 1

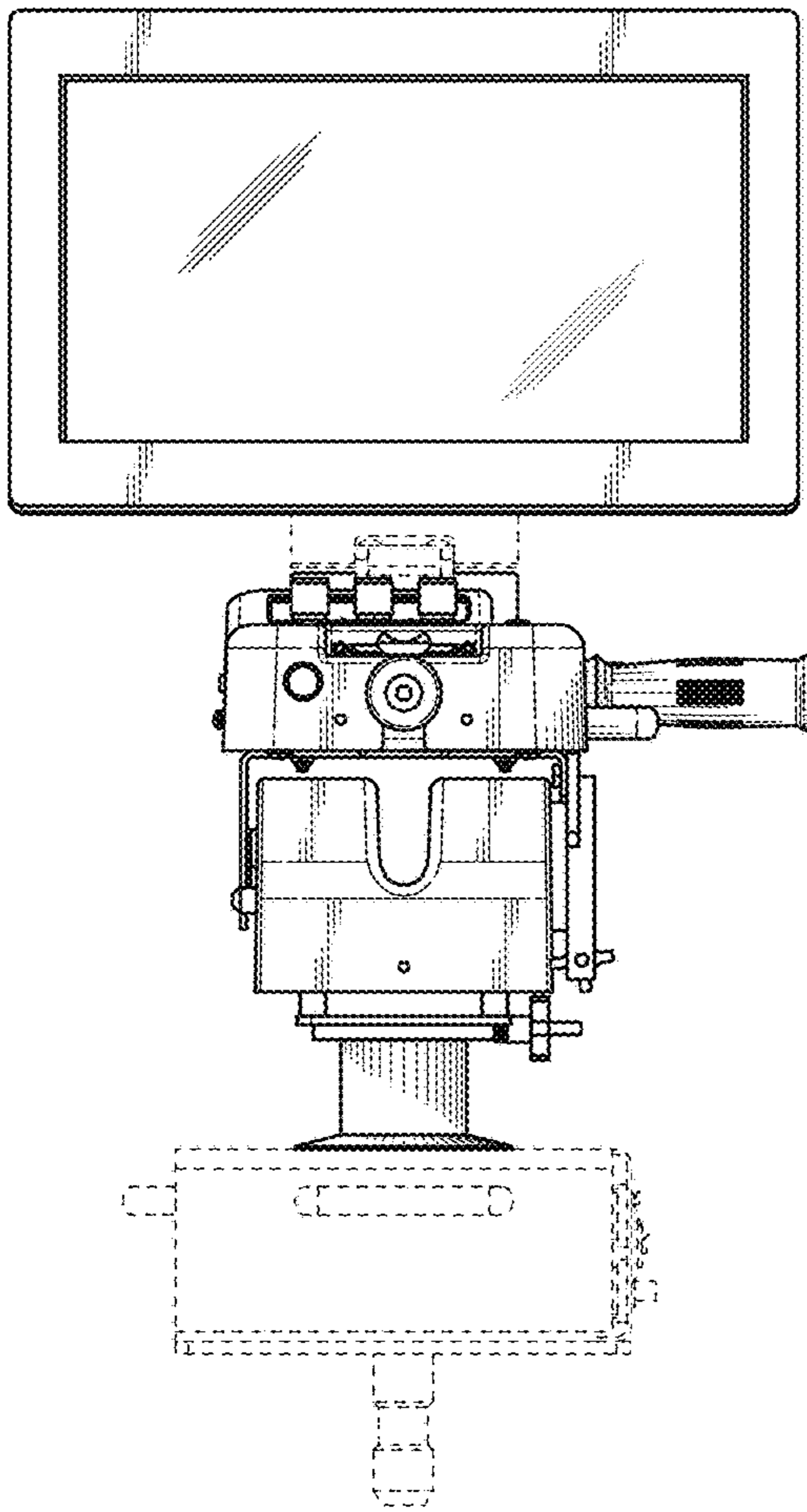


FIG. 2

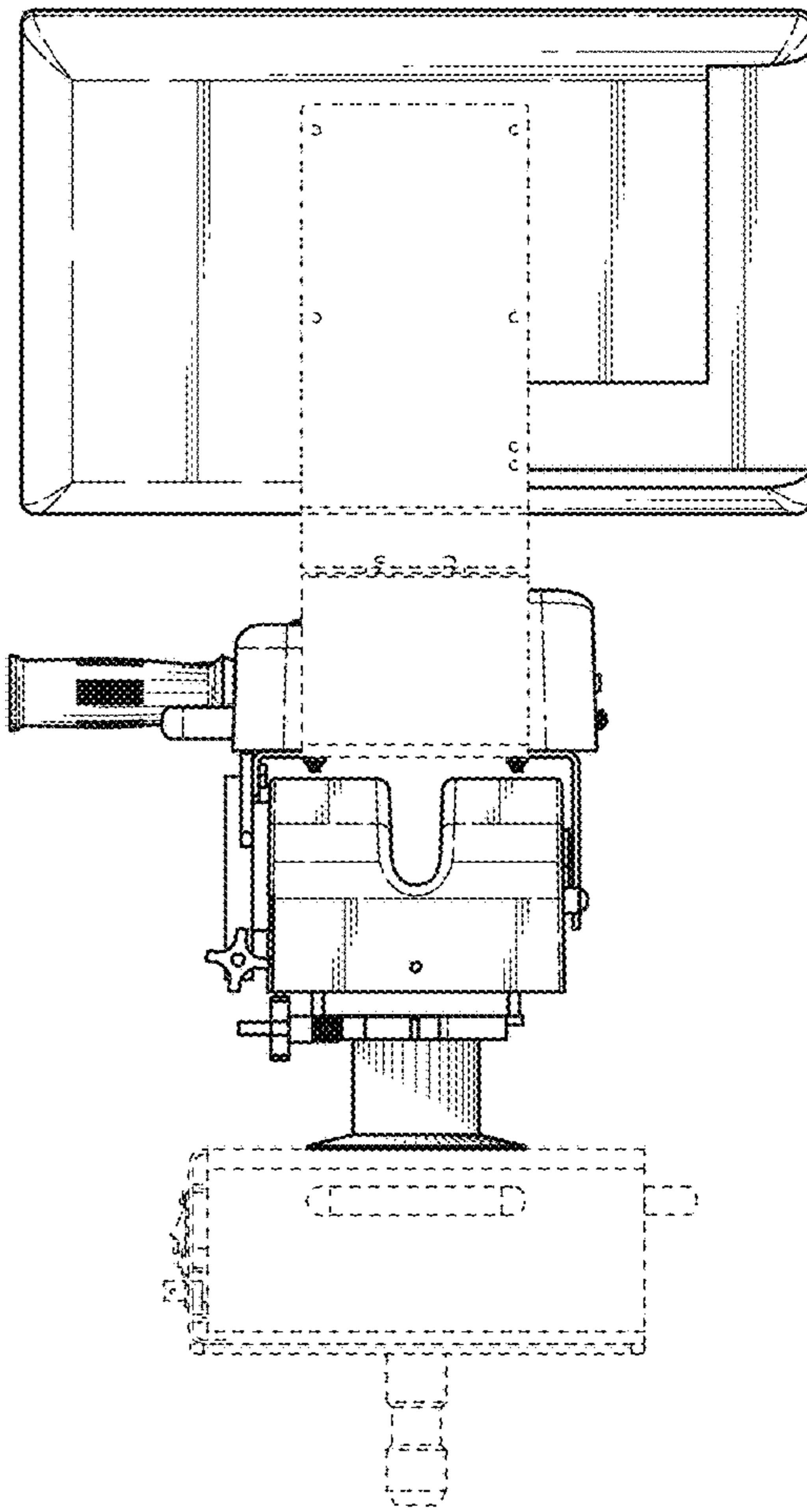


FIG. 3

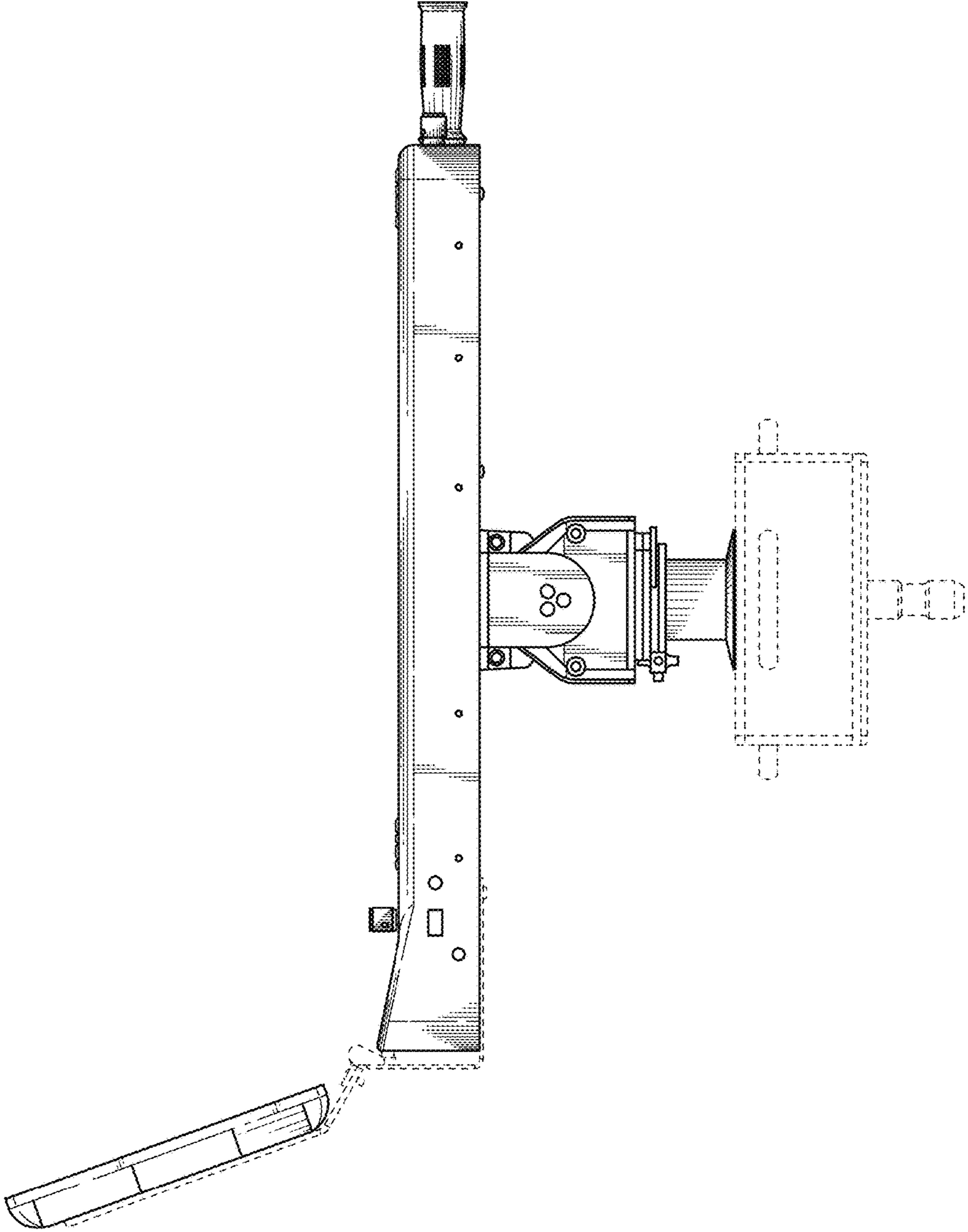


FIG. 4



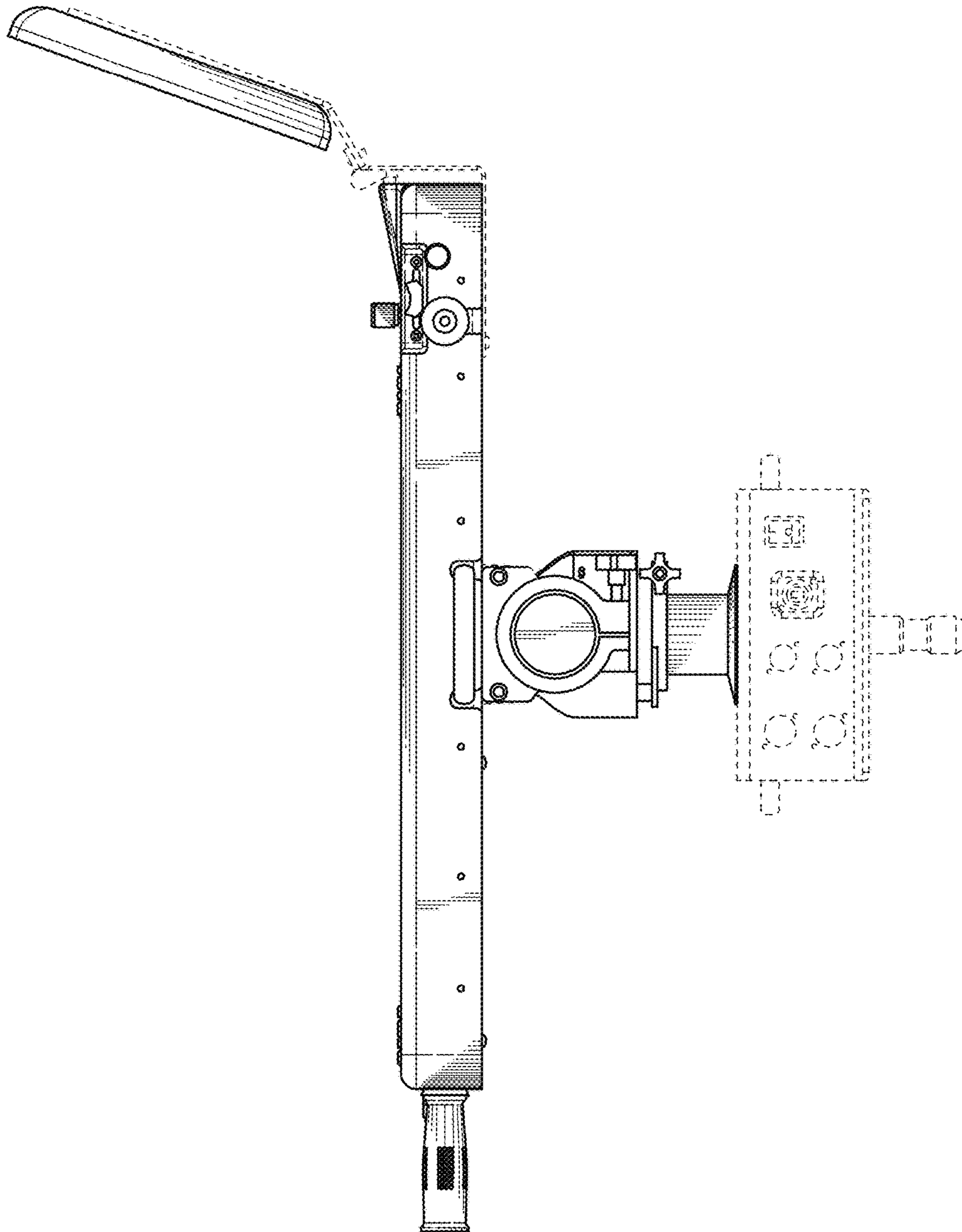


FIG. 5

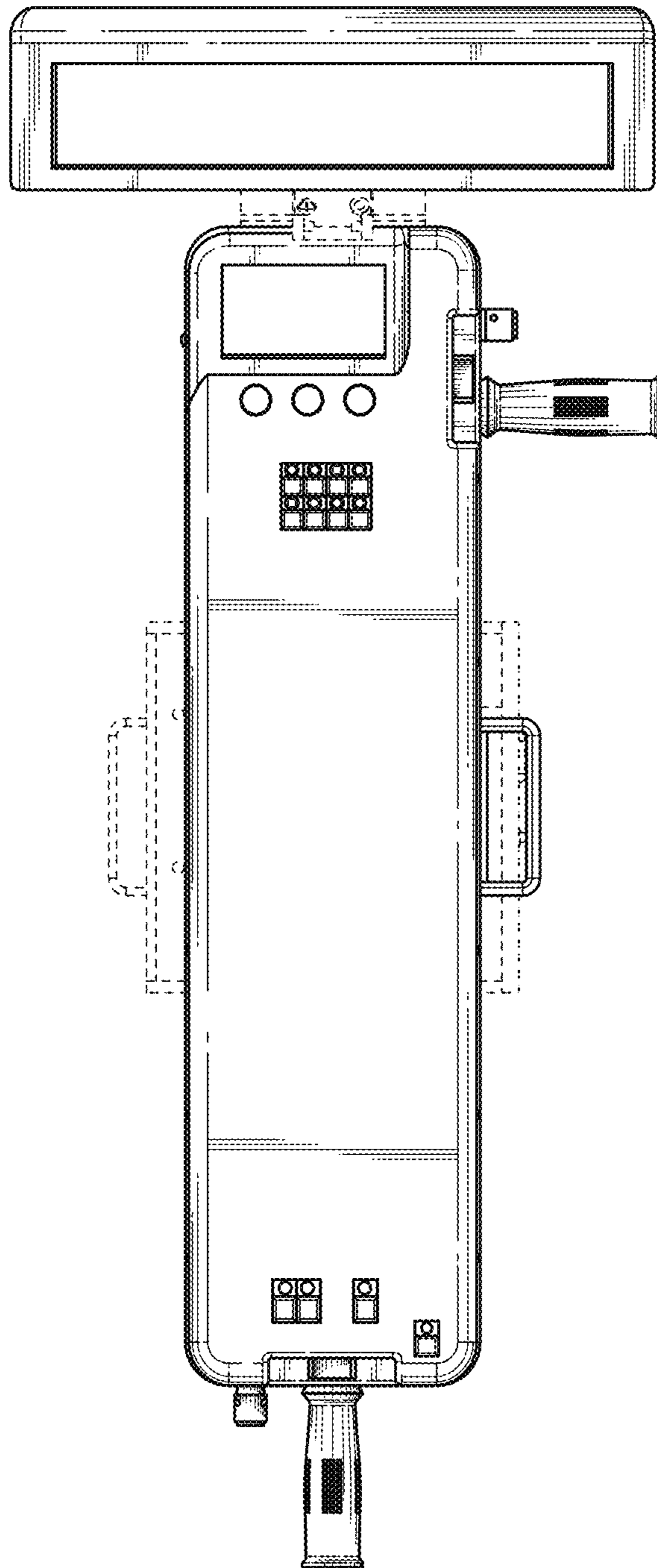


FIG. 6

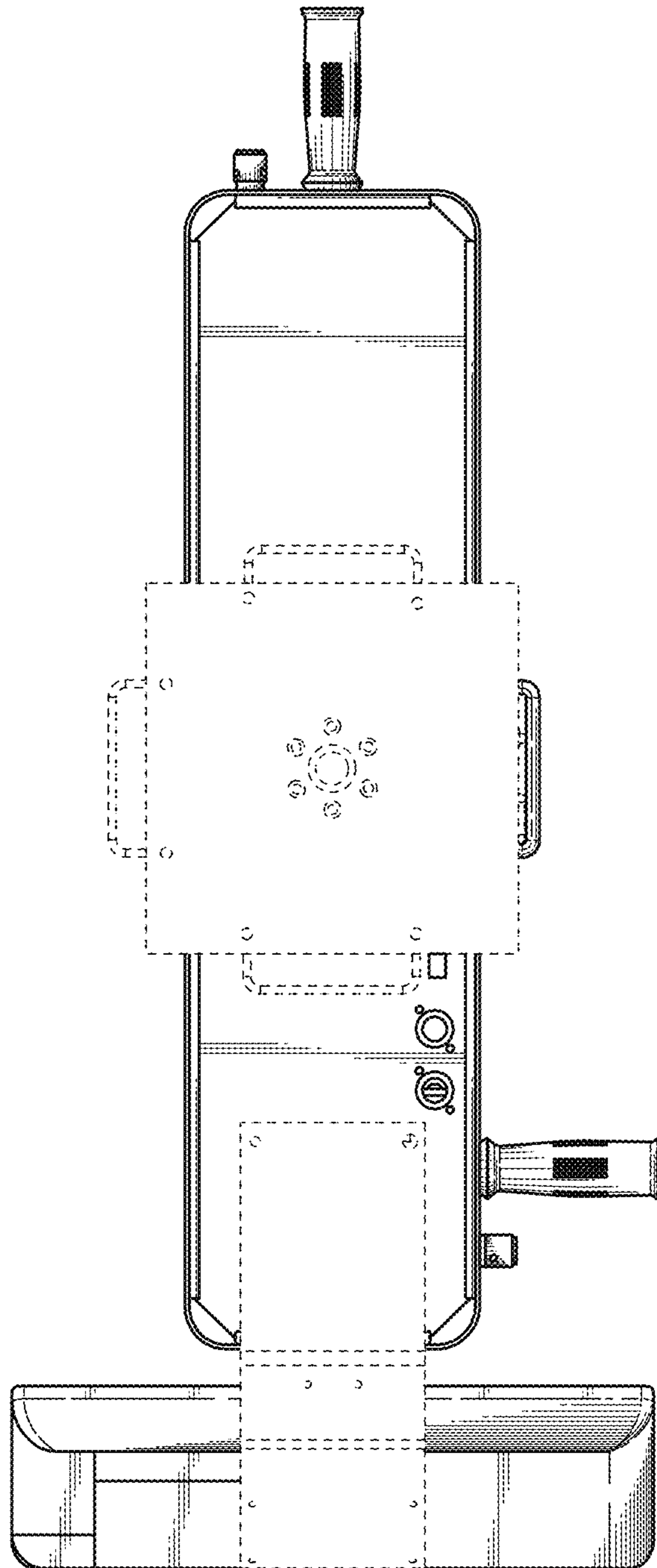


FIG. 7