



US00D791717S

(12) **United States Design Patent**  
**Uusitalo et al.**

(10) **Patent No.:** **US D791,717 S**  
(45) **Date of Patent:** **\*\* Jul. 11, 2017**

(54) **COVER FOR SHORT-CIRCUITING BAR**

(71) Applicant: **ABB Oy**, Helsinki (FI)  
(72) Inventors: **Kai Uusitalo**, Vaasa (FI); **Mikko Valivainio**, Vaasa (FI); **Oskari Uitto**, Vaasa (FI)

(73) Assignee: **ABB Oy**, Helsinki (FI)

(\*\*) Term: **14 Years**

(21) Appl. No.: **29/523,155**

(22) Filed: **Apr. 7, 2015**

(30) **Foreign Application Priority Data**

Oct. 7, 2014 (EM) ..... 002551929

(51) **LOC (10) Cl.** ..... **13-03**

(52) **U.S. Cl.**  
USPC ..... **D13/160; D13/173**

(58) **Field of Classification Search**  
USPC ..... D13/110, 112, 123, 133, 154, 156,  
D13/158-160, 173, 177, 178, 182, 184,  
D13/199

CPC ... H01R 3/06; H01R 4/40; H01R 4/66; H01R  
9/00; H01R 9/22; H01R 9/24; H01R  
11/09; H01R 13/52; H01R 25/16

See application file for complete search history.

(56) **References Cited**

**U.S. PATENT DOCUMENTS**

D618,995 S \* 7/2010 Lavelle ..... D8/403  
D637,600 S \* 5/2011 Leyva-Menendez ..... D14/447

D641,692 S \* 7/2011 Wharram ..... D13/102  
D648,283 S \* 11/2011 Chu ..... D13/158  
D658,582 S \* 5/2012 Looi ..... D13/110  
D678,212 S \* 3/2013 Peckham ..... D13/156  
D754,106 S \* 4/2016 Wise ..... D14/225  
D758,979 S \* 6/2016 Moon ..... D13/184  
D760,229 S \* 6/2016 Lawson ..... D14/432  
D761,740 S \* 7/2016 Masters ..... D13/159

\* cited by examiner

*Primary Examiner* — Thomas Johannes

*Assistant Examiner* — Shawn T Gingrich

(74) *Attorney, Agent, or Firm* — Taft Stettinius & Hollister LLP

(57) **CLAIM**

The ornamental design for a cover for short-circuiting bar, as shown and described.

**DESCRIPTION**

FIG. 1 is a front perspective view of a cover for short-circuiting bar according to a first embodiment of our new design.

FIG. 2 is a front elevational view thereof.

FIG. 3 is a left side elevational view thereof.

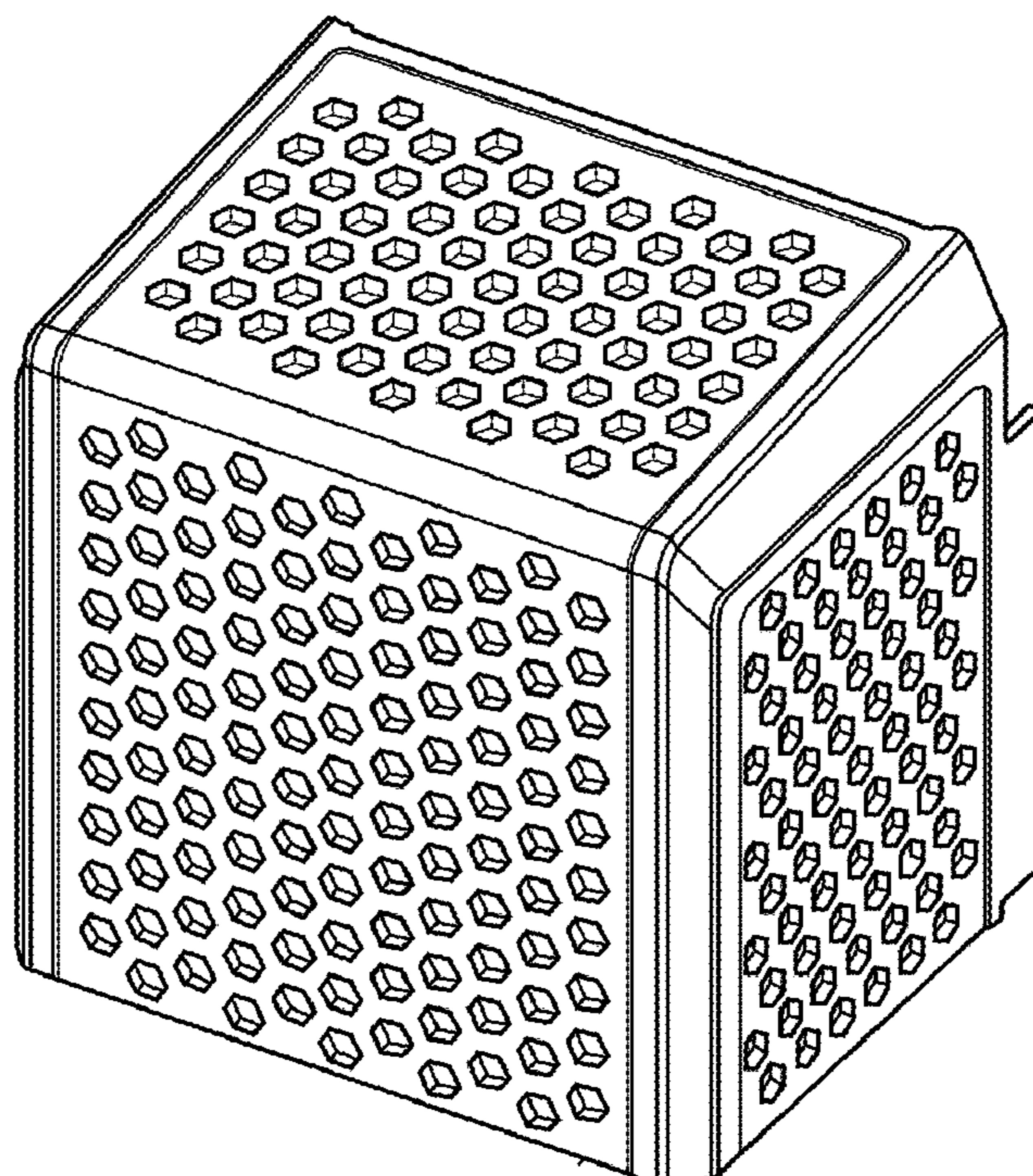
FIG. 4 is a right side elevational view thereof.

FIG. 5 is a top plan view thereof; and,

FIG. 6 is a bottom plan view thereof.

The broken line portion of the figure drawings is included to show portions of the article that form no part of the claimed design.

**1 Claim, 6 Drawing Sheets**



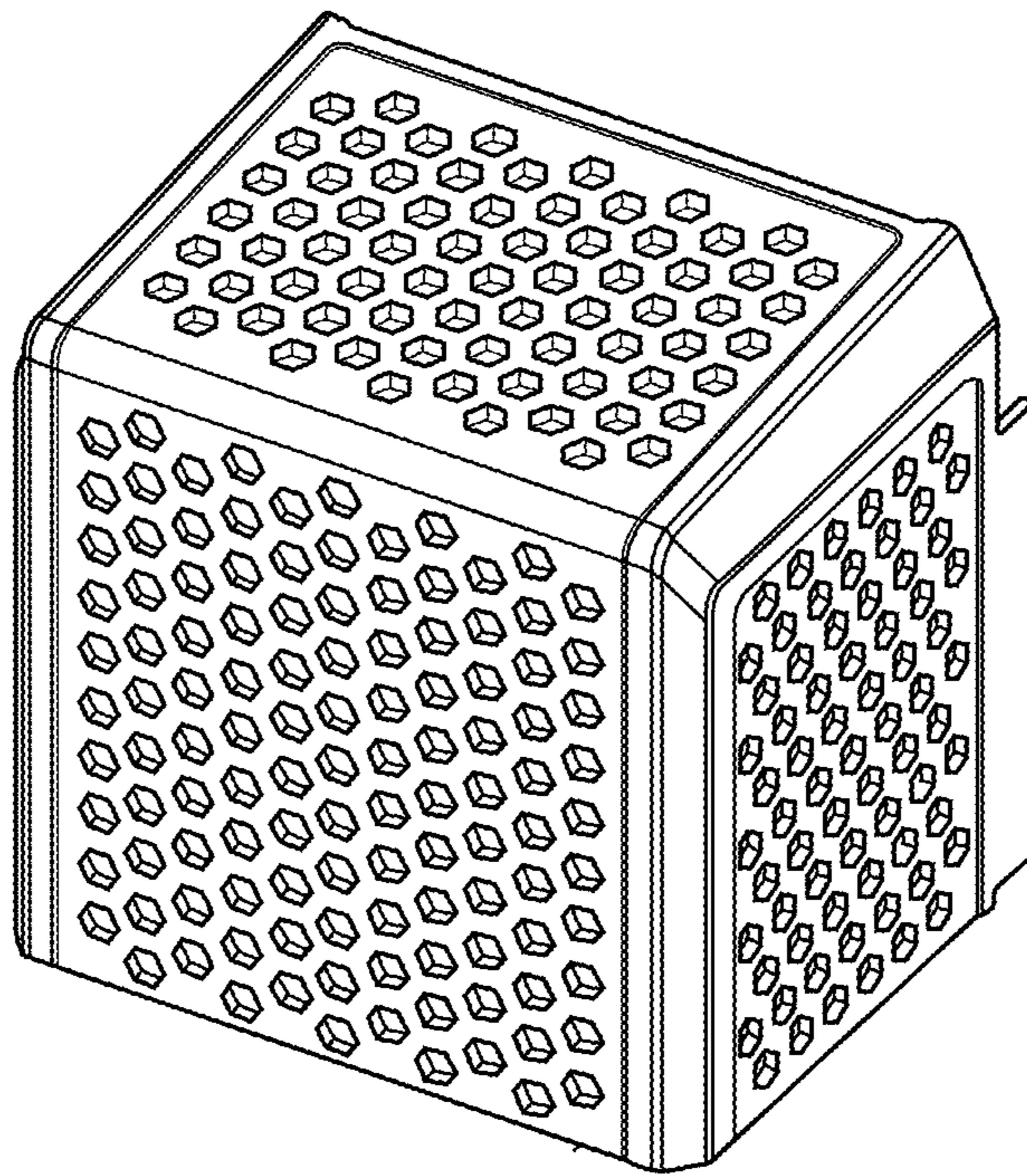


FIG. 1

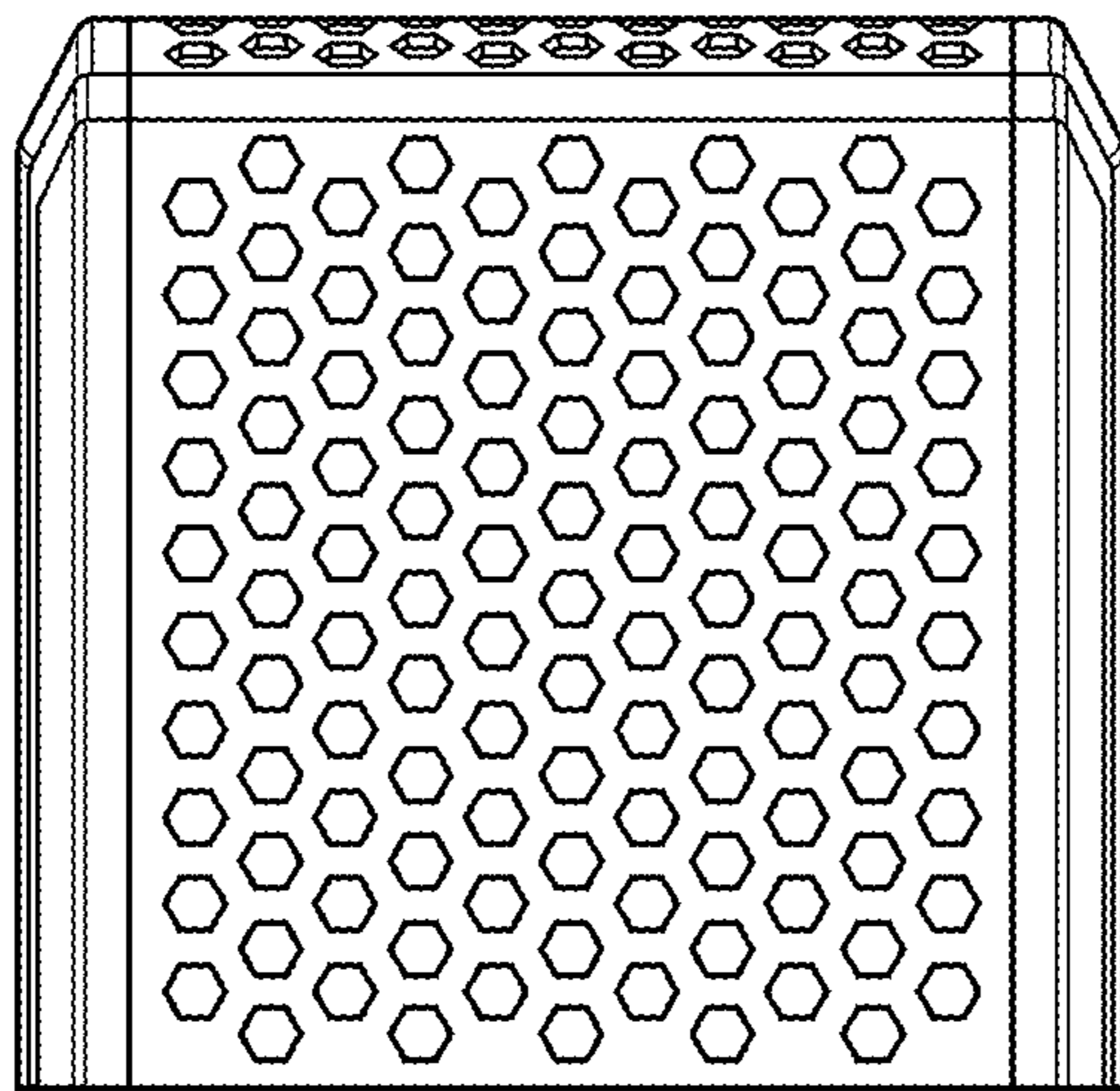


FIG. 2

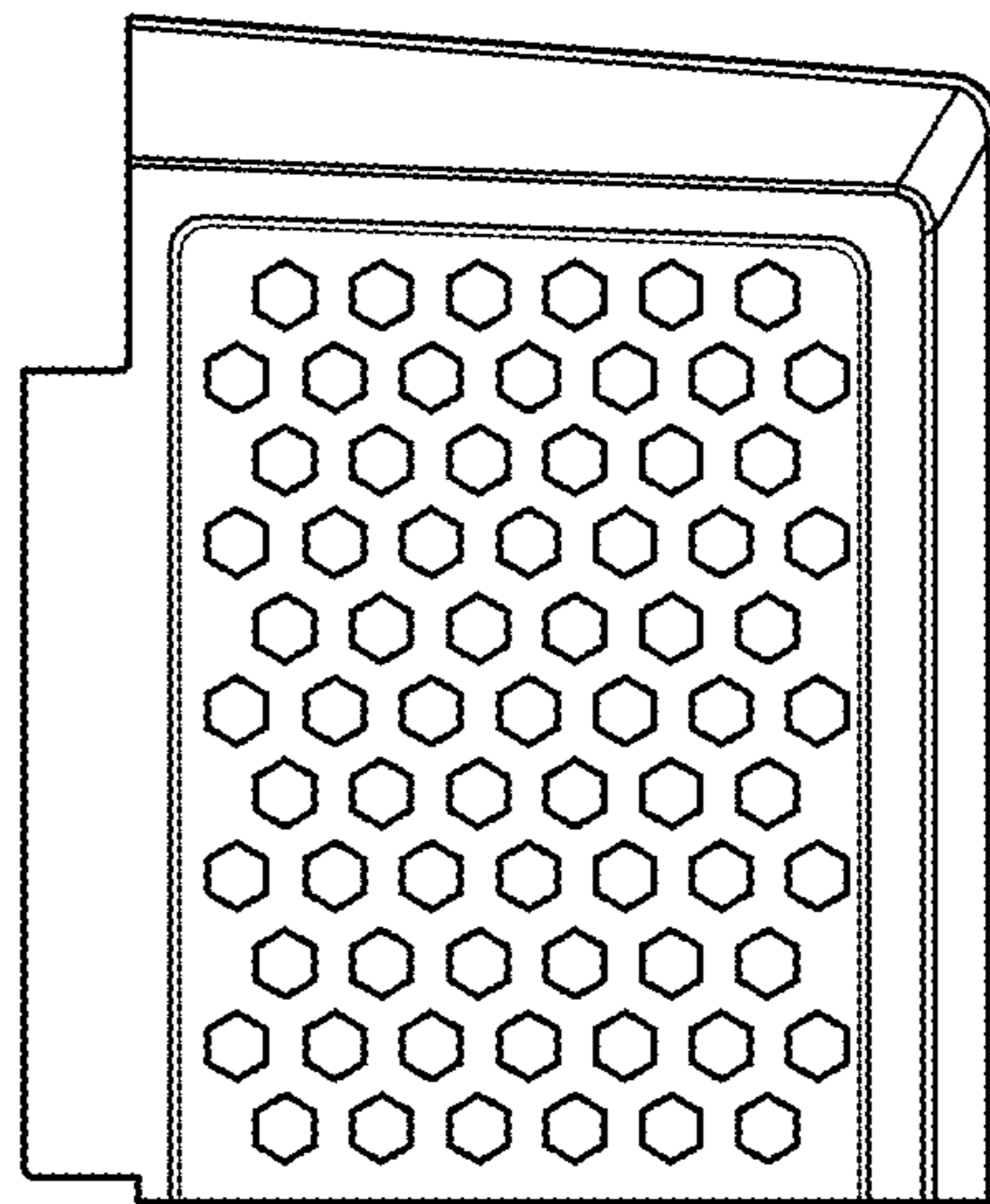


FIG. 3

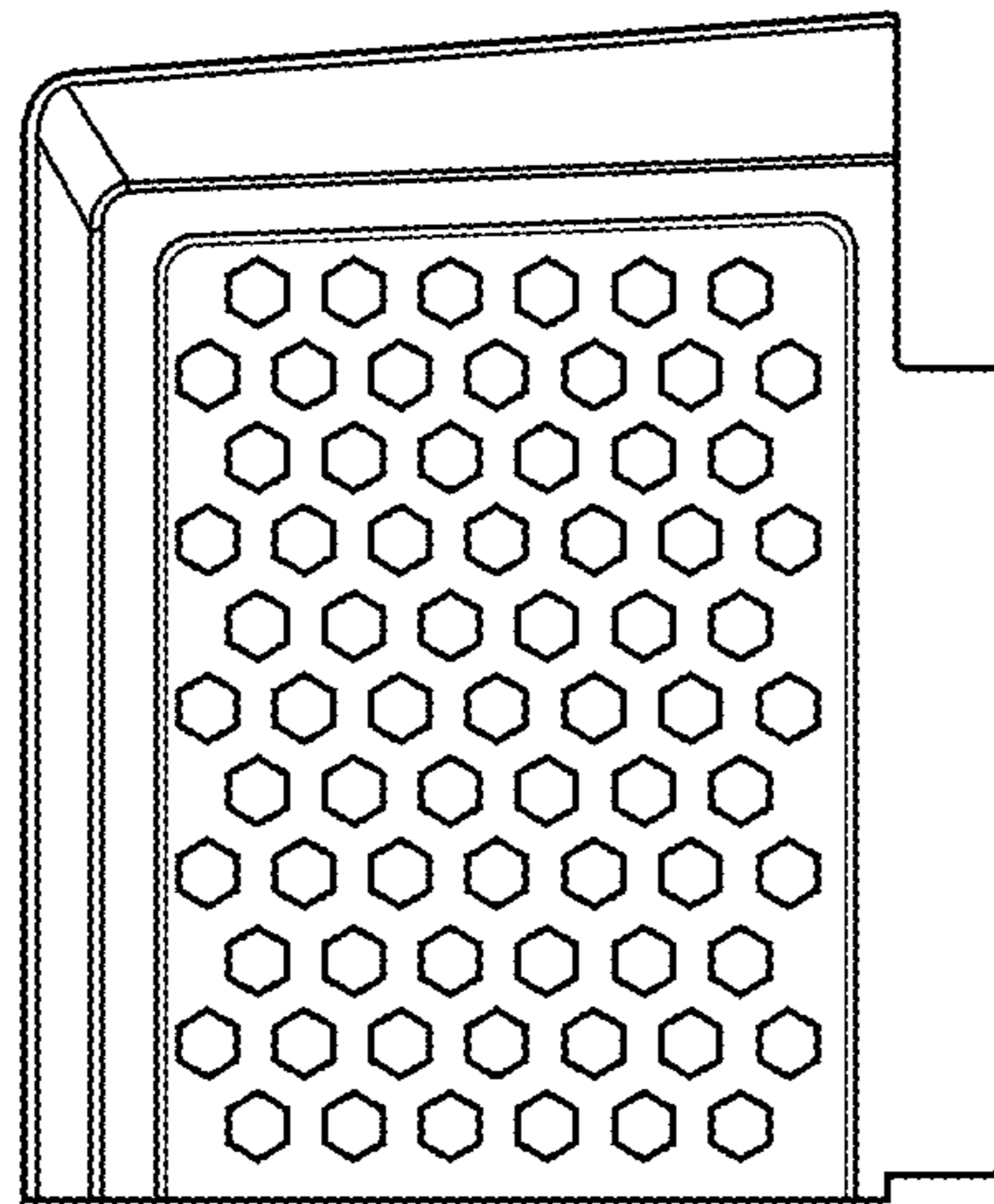


FIG. 4

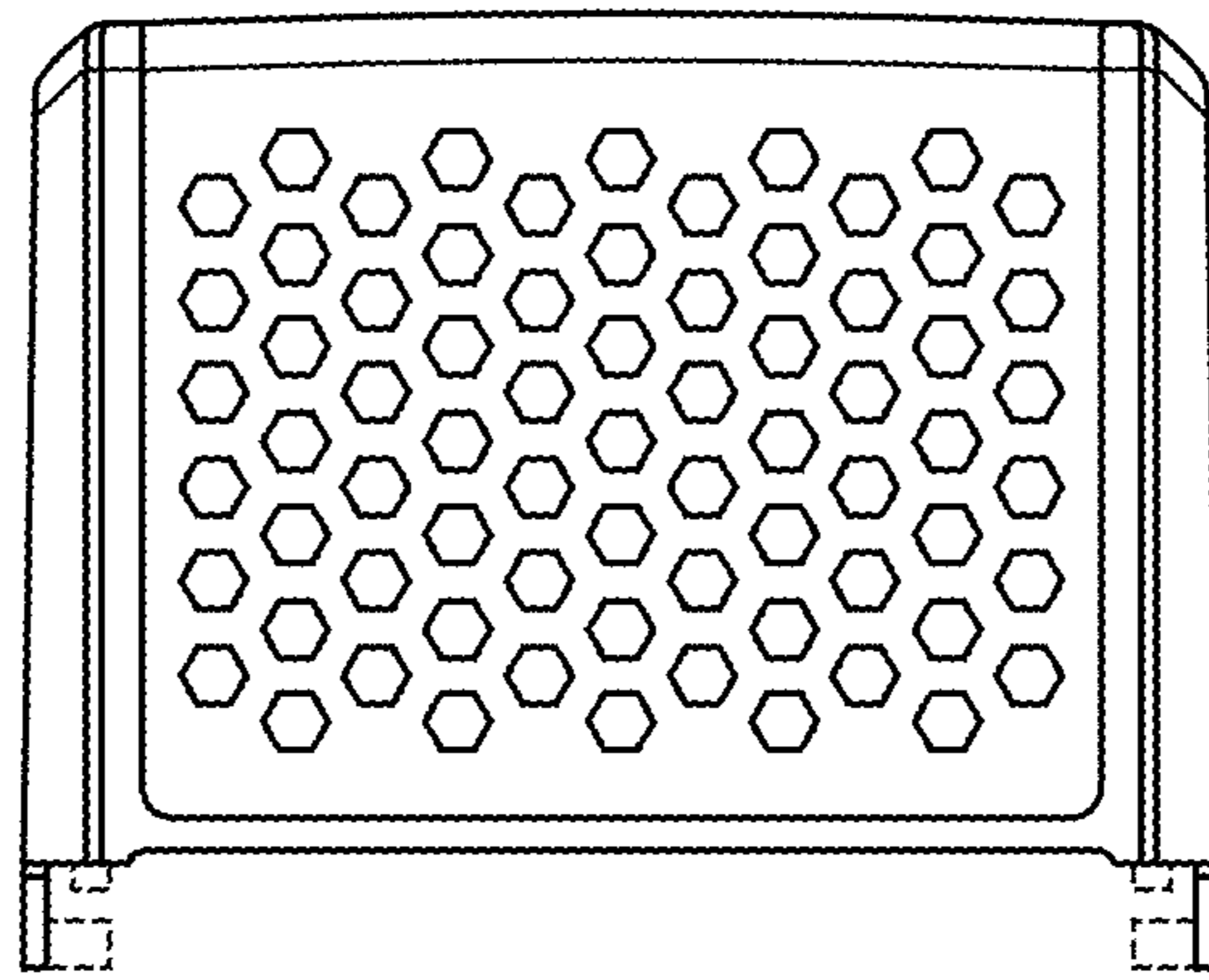


FIG. 5

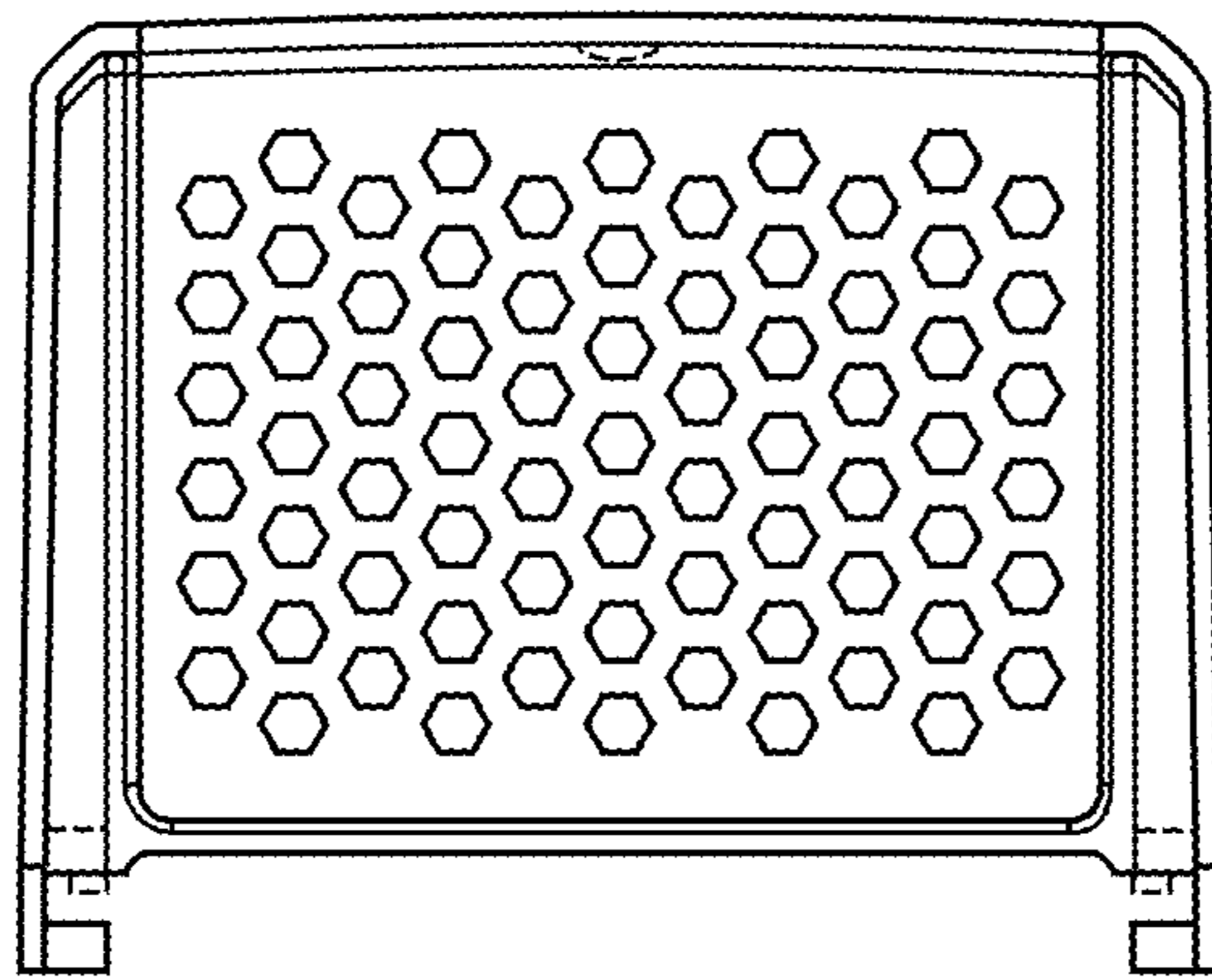


FIG. 6