



US00D791713S

(12) **United States Design Patent**
Papakos et al.

(10) **Patent No.:** **US D791,713 S**

(45) **Date of Patent:** **** Jul. 11, 2017**

(54) **FRONT PANEL FOR A CIRCUIT CARD WITH HANDLES**

(71) Applicants: **Kimon Papakos**, Evanston, IL (US);
Mark E. Boduch, Geneva, IL (US)

(72) Inventors: **Kimon Papakos**, Evanston, IL (US);
Mark E. Boduch, Geneva, IL (US)

(**) Term: **15 Years**

(21) Appl. No.: **29/538,094**

(22) Filed: **Sep. 1, 2015**

(51) **LOC (10) Cl.** **13-03**

(52) **U.S. Cl.**
USPC **D13/154**

(58) **Field of Classification Search**
USPC D13/133, 146, 147, 154, 155, 156, 184,
D13/199
CPC ... G02B 6/12; G02B 6/26; G02B 6/36; G02B
6/42; G02B 6/43; G02B 6/44; H01R
13/62

See application file for complete search history.

(56) **References Cited**

U.S. PATENT DOCUMENTS

D385,253 S *	10/1997	Spriester	D13/123
D400,512 S *	11/1998	Korhonen	D13/184
D629,365 S *	12/2010	Garcia De Vicuna	D13/152
D709,043 S *	7/2014	Isaacks	D13/184

* cited by examiner

Primary Examiner — Daniel Bui

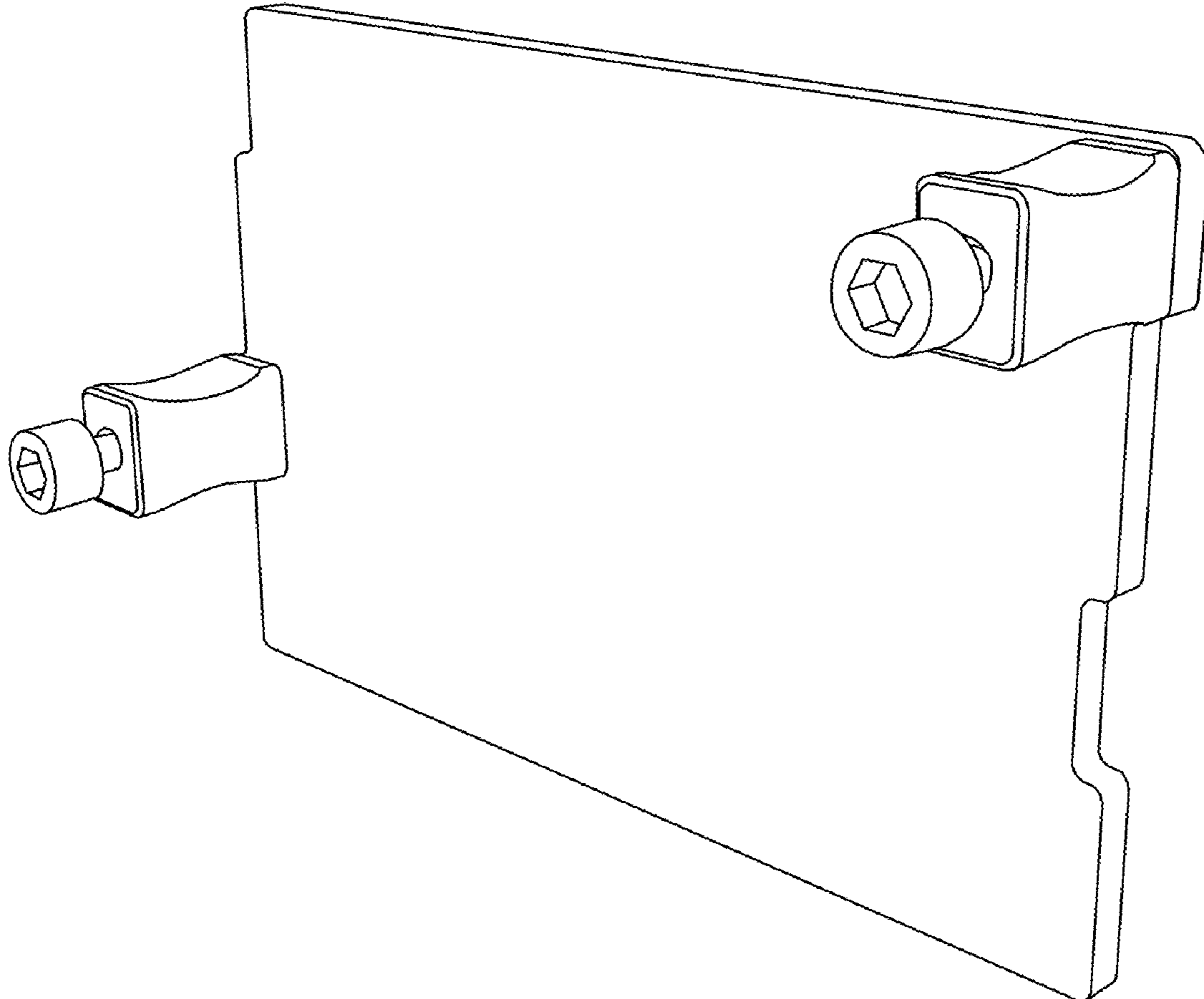
(57) **CLAIM**

The ornamental design for a front panel for a circuit card with handles, as shown and described.

DESCRIPTION

FIG. 1 is a front perspective view of a front panel for a circuit card with handles showing our new design; FIG. 2 is a front elevation view thereof; FIG. 3 is a top plan view thereof; and, FIG. 4 is a side elevation view thereof.

1 Claim, 2 Drawing Sheets



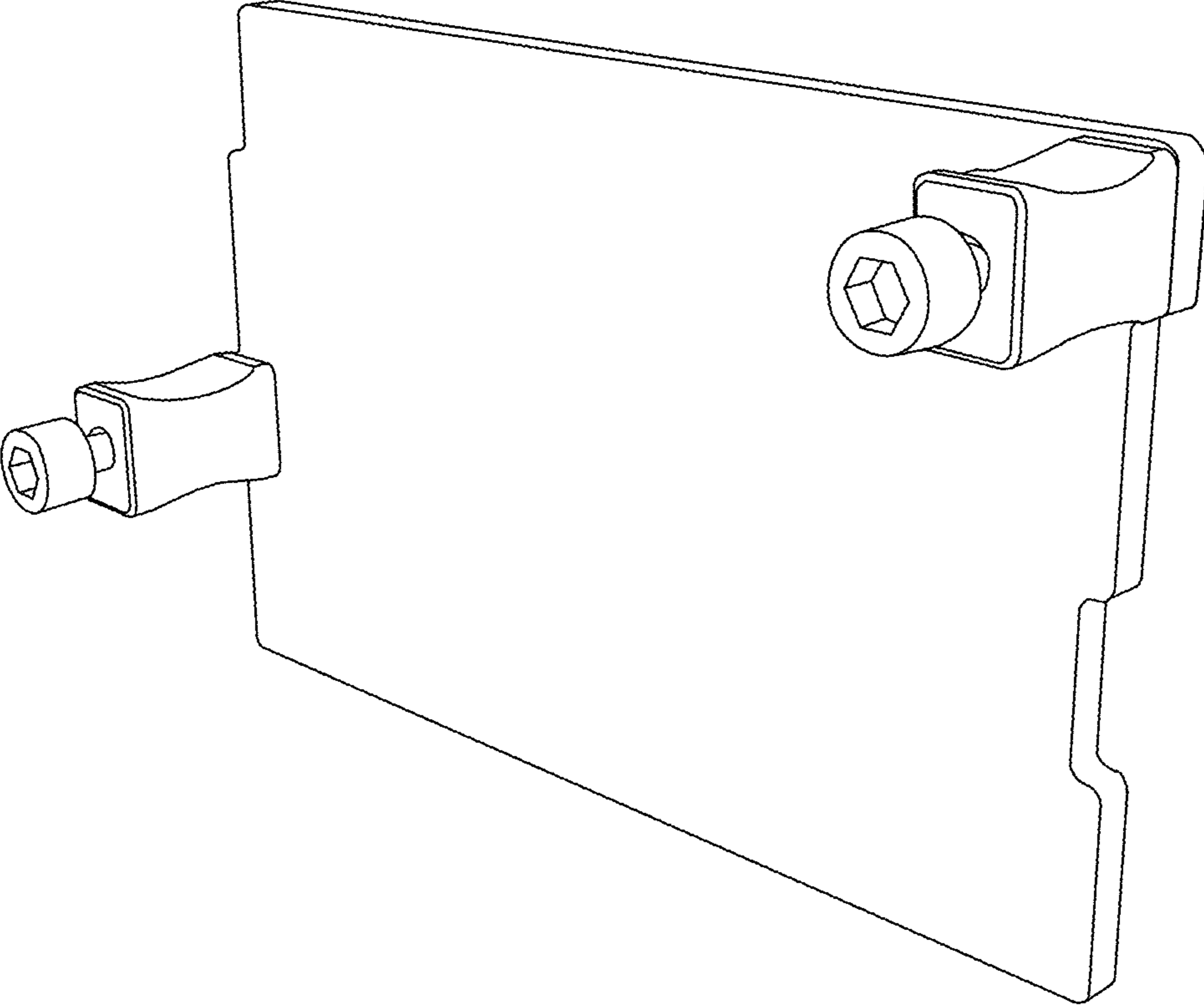


FIG. 1

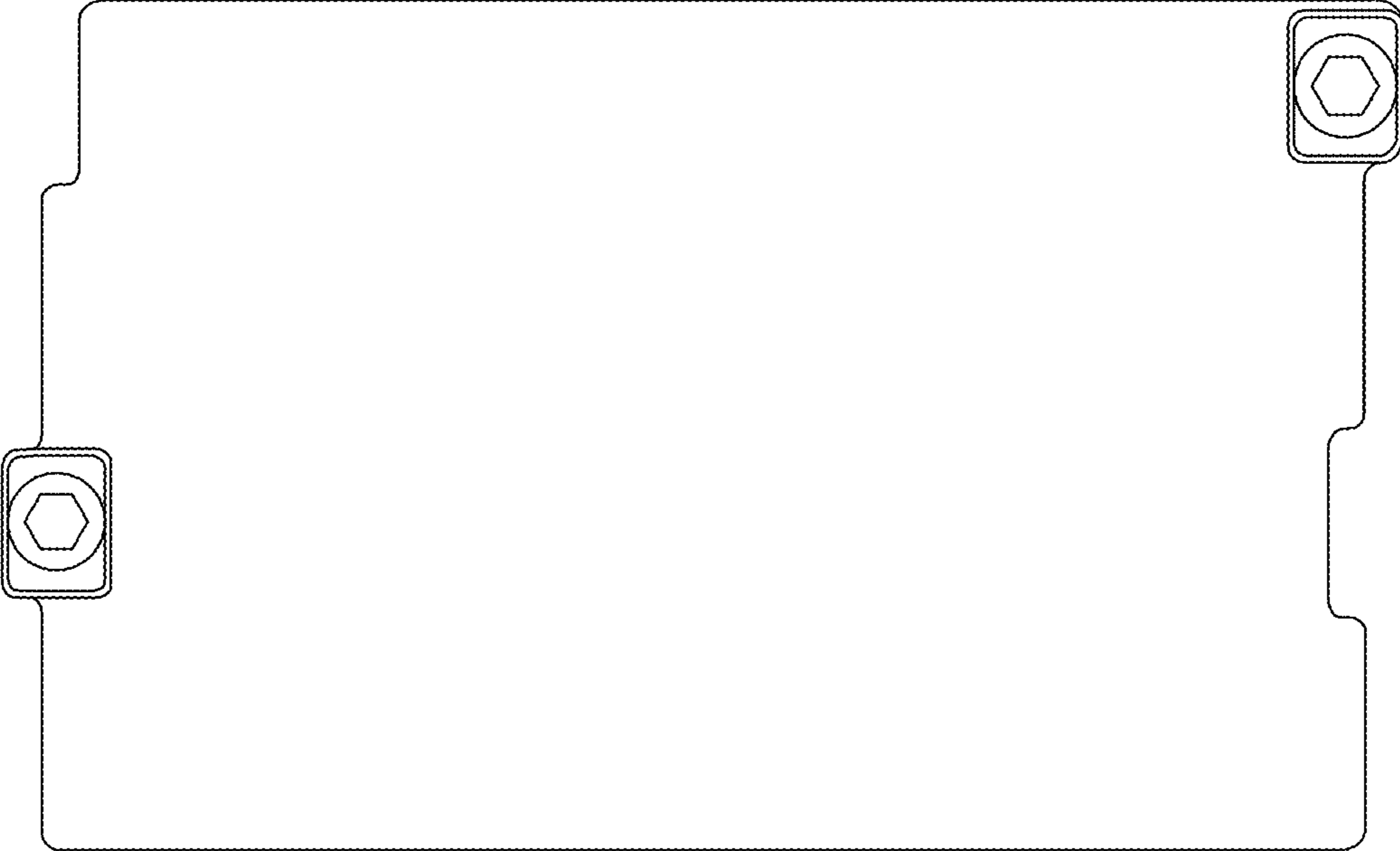


FIG. 2

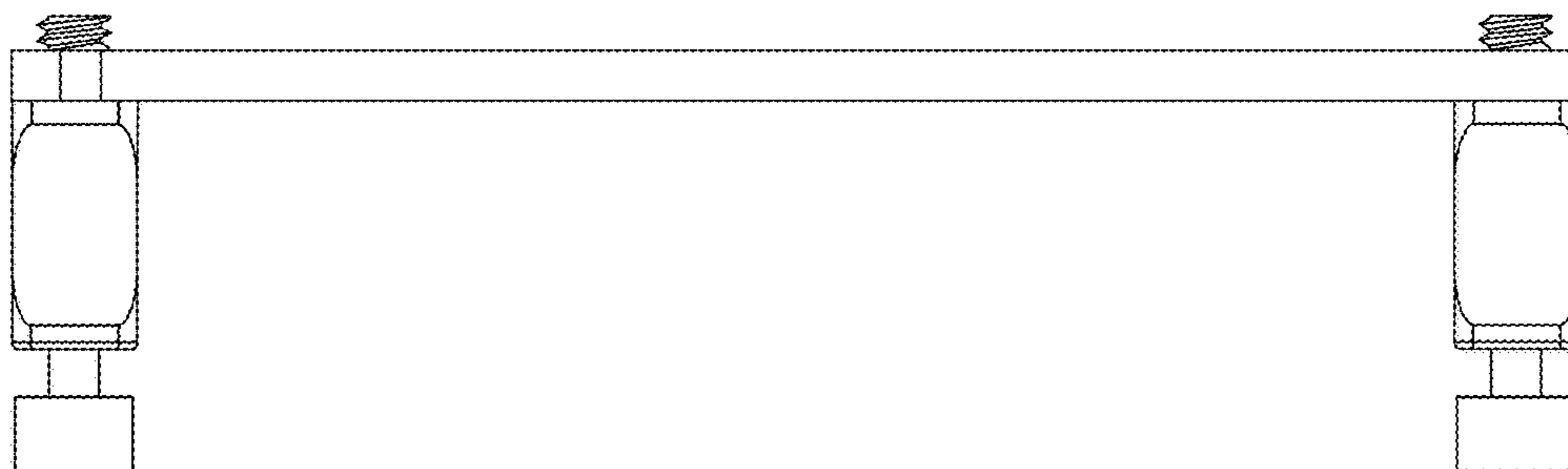


FIG. 3

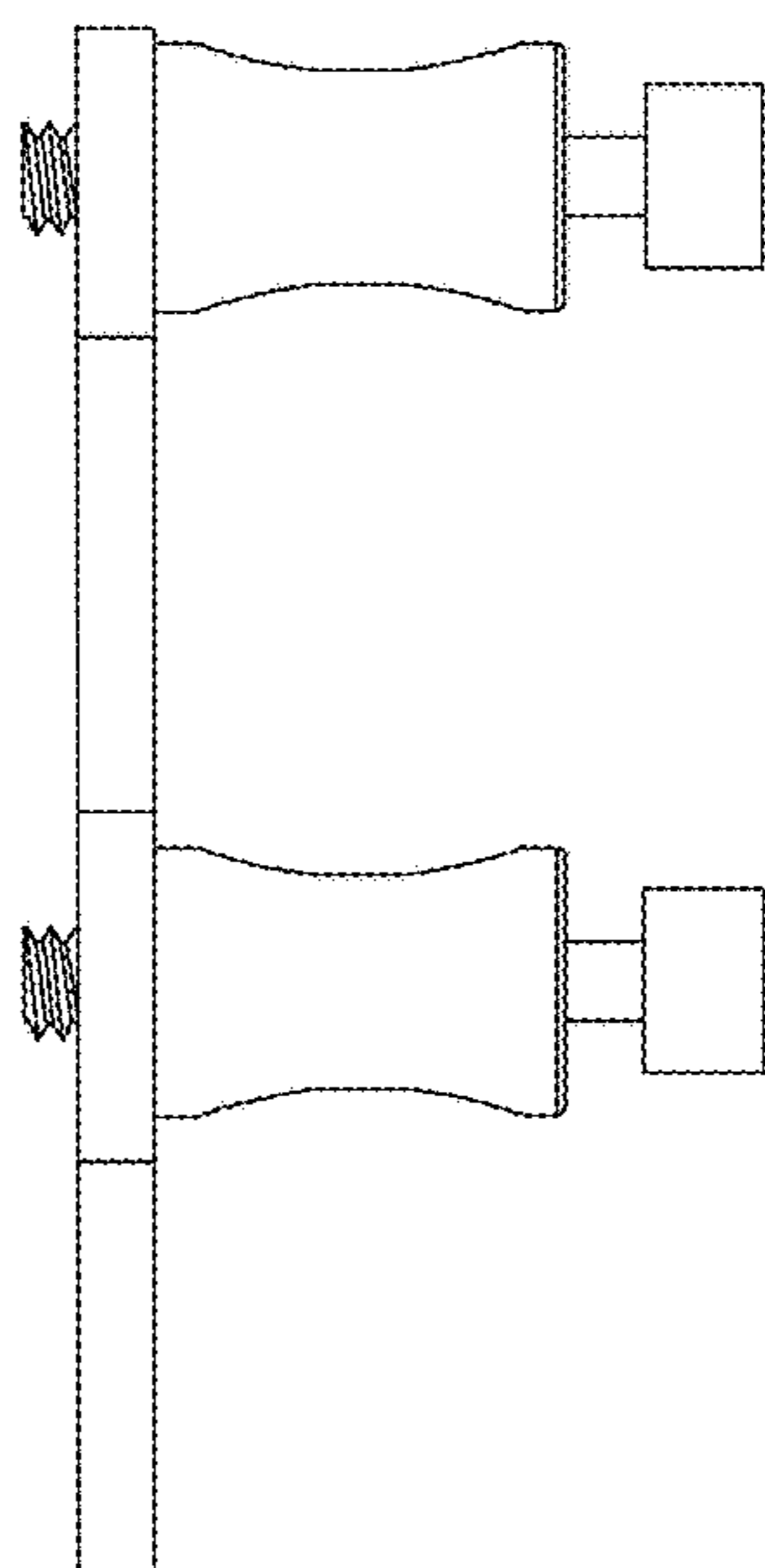


FIG. 4