



US00D791712S

(12) **United States Design Patent**  
**Holton**

(10) **Patent No.:** **US D791,712 S**

(45) **Date of Patent:** **\*\* Jul. 11, 2017**

(54) **CONICAL JUNCTION BOX COVER**

(71) Applicant: **William H. Holton**, Matthews, NC  
(US)

(72) Inventor: **William H. Holton**, Matthews, NC  
(US)

(\*\*) Term: **15 Years**

(21) Appl. No.: **29/558,545**

(22) Filed: **Mar. 18, 2016**

(51) **LOC (10) Cl.** ..... **13-03**

(52) **U.S. Cl.**  
USPC ..... **D13/152**

(58) **Field of Classification Search**  
USPC ..... D13/152-156, 139.1-139.3, 133, 184,  
D13/199; D8/349, 353; D14/496  
CPC .. H01H 2085/2075; H02G 3/08; H02G 3/123;  
H02G 3/081; H02G 3/14; H02G 3/16;  
H05K 5/00; H05K 5/008; H05K 5/0086;  
H05K 5/04; G06F 1/181; B65D 43/00  
See application file for complete search history.

(56) **References Cited**

**U.S. PATENT DOCUMENTS**

D345,145 S \* 3/1994 Fogg ..... D10/103  
D684,935 S \* 6/2013 DeCosta ..... D13/152

D715,509 S \* 10/2014 Terlizzi ..... D34/1  
D732,482 S \* 6/2015 Hagarty ..... D13/156  
D745,466 S \* 12/2015 Hagarty ..... D13/153

\* cited by examiner

*Primary Examiner* — Rosemary K Tarcza

*Assistant Examiner* — Christy Nemeth

(74) *Attorney, Agent, or Firm* — Schwartz Law Firm, P.C.

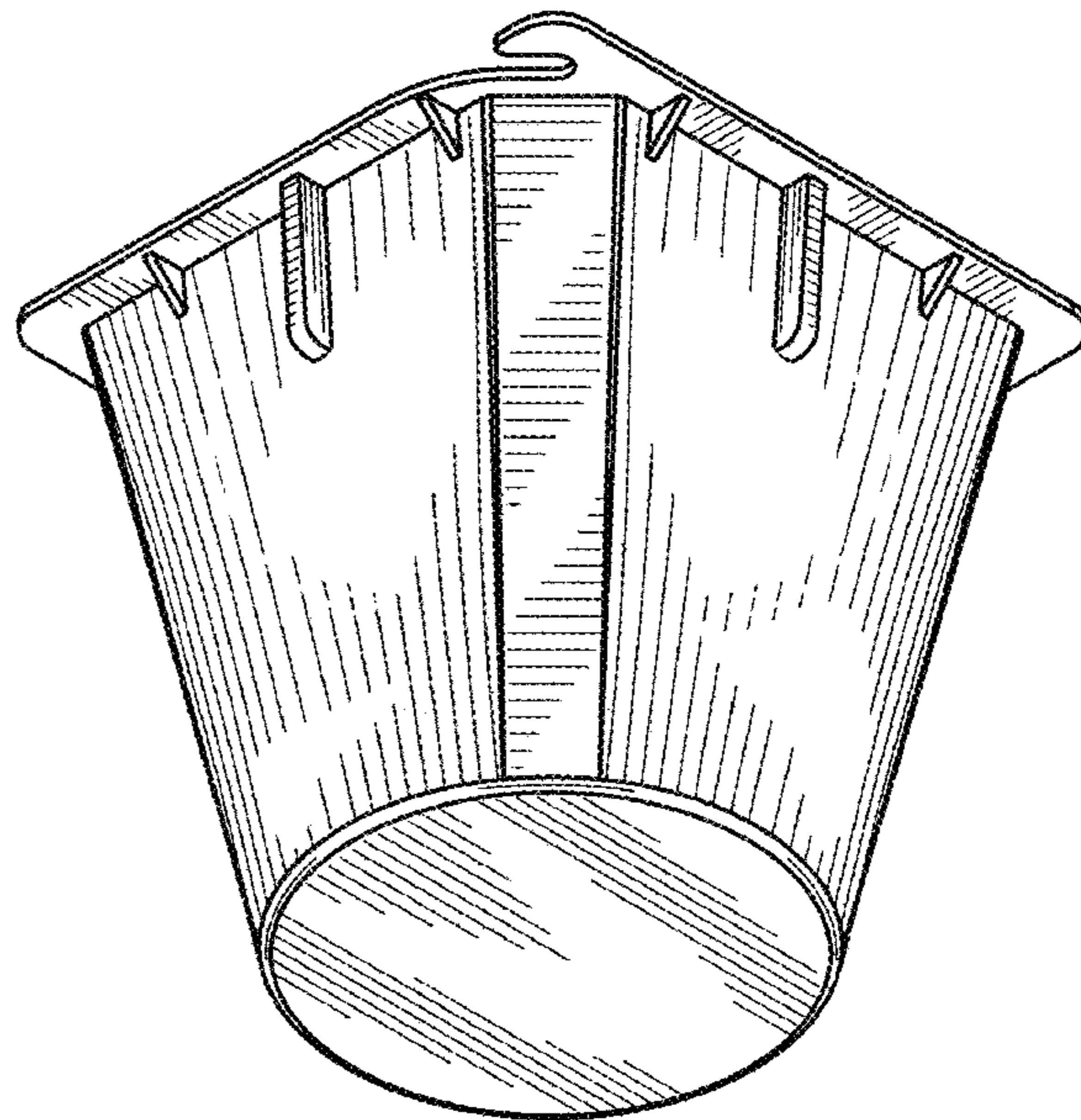
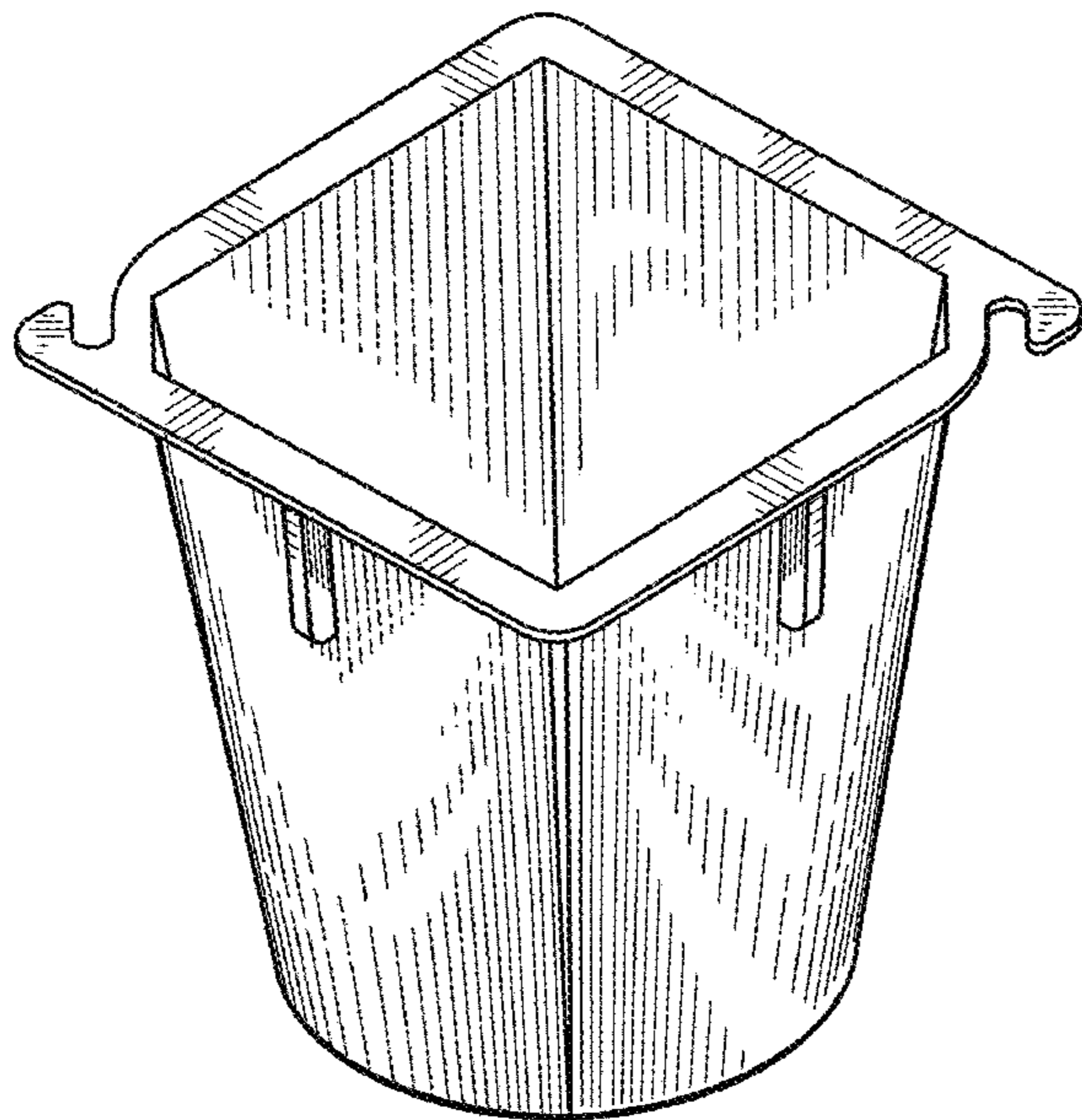
(57) **CLAIM**

I claim the ornamental design for a conical junction box cover, as shown.

**DESCRIPTION**

FIG. 1 is a top perspective view of a conical junction box cover;  
FIG. 2 is a another top perspective view thereof;  
FIG. 3 is a side view thereof;  
FIG. 4 is another side view thereof;  
FIG. 5 is a bottom perspective view thereof;  
FIG. 6 is a top view thereof; and,  
FIG. 7 is a bottom view thereof.

**1 Claim, 5 Drawing Sheets**



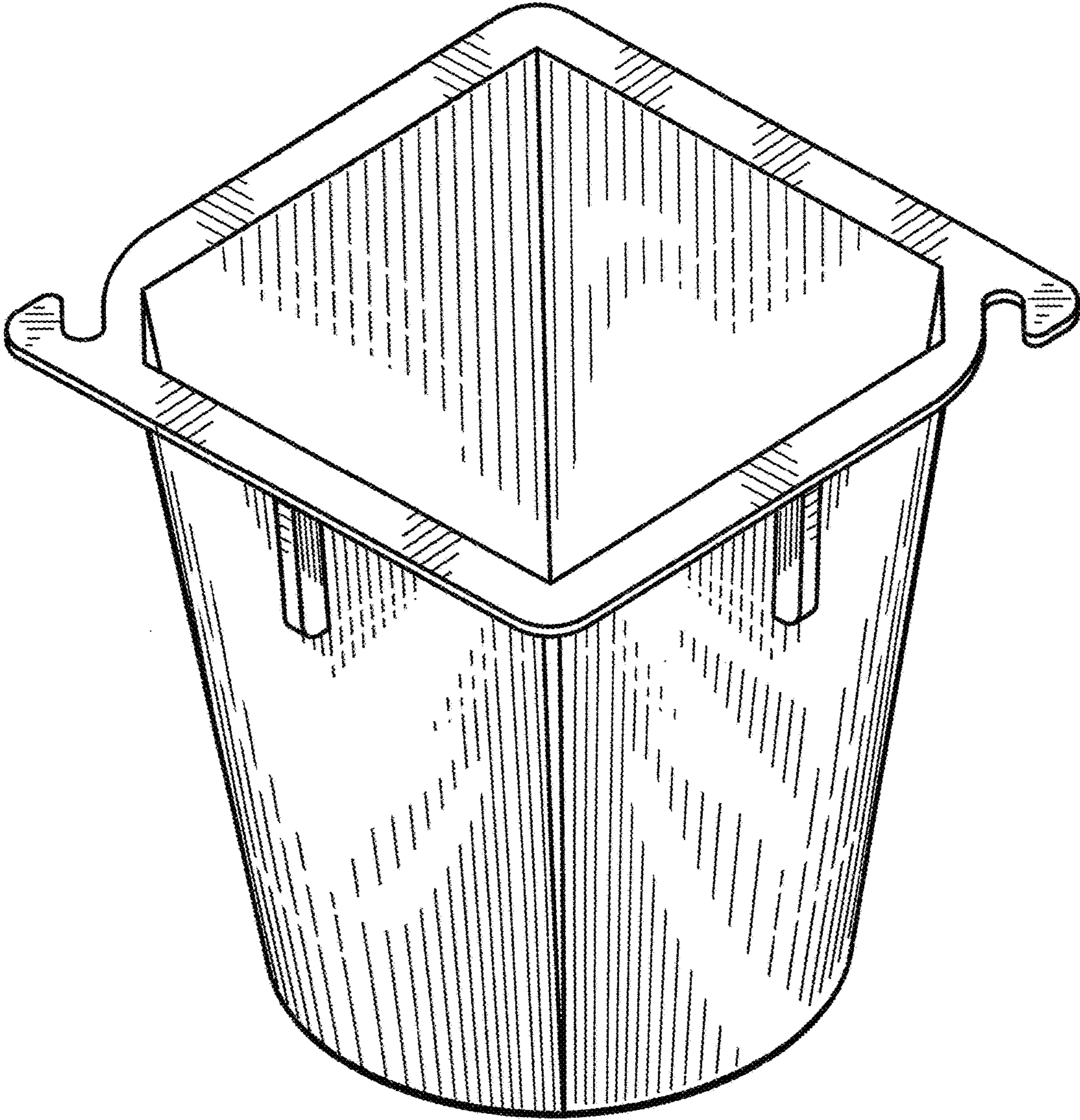


FIG. 1

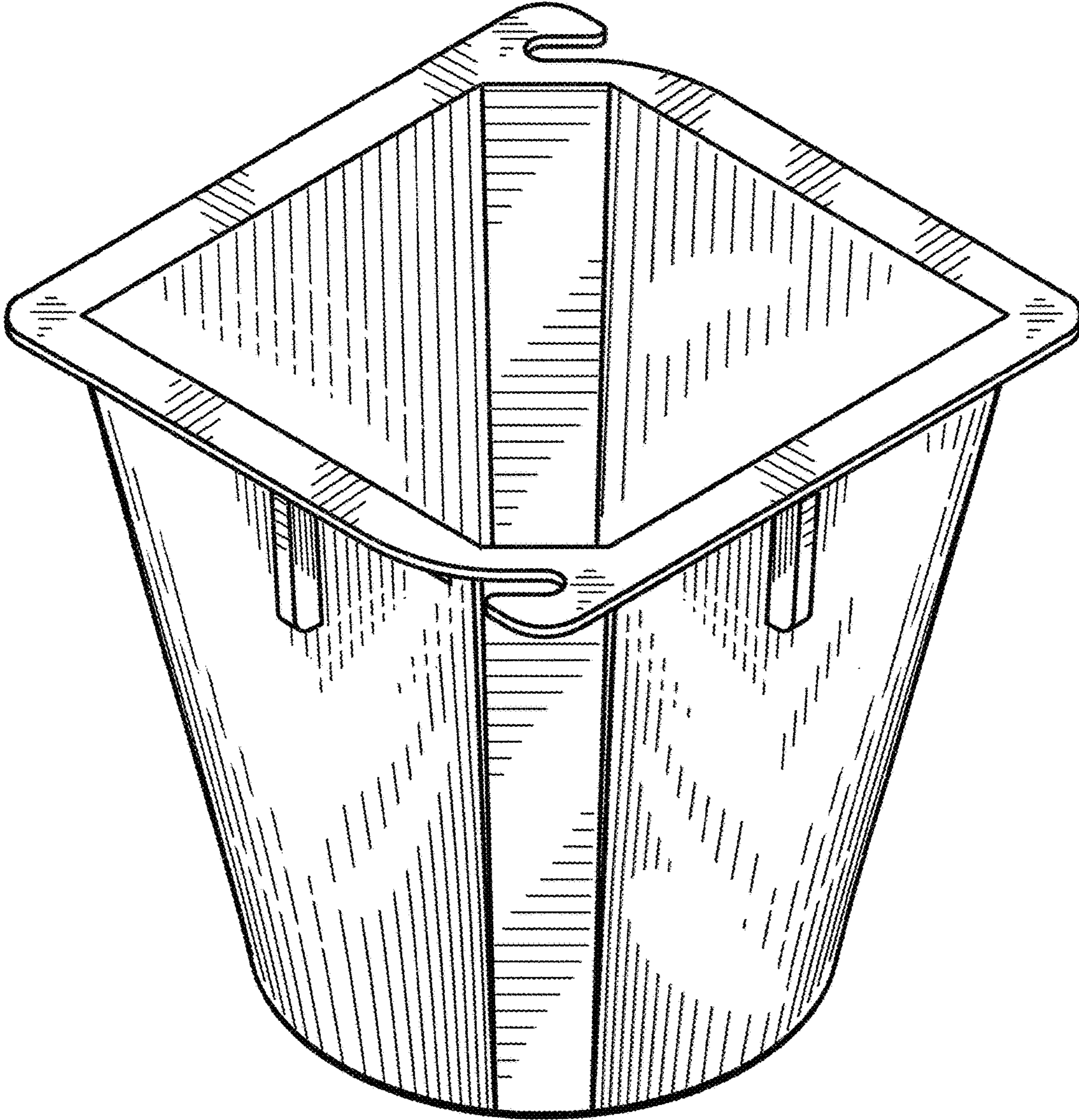


FIG. 2

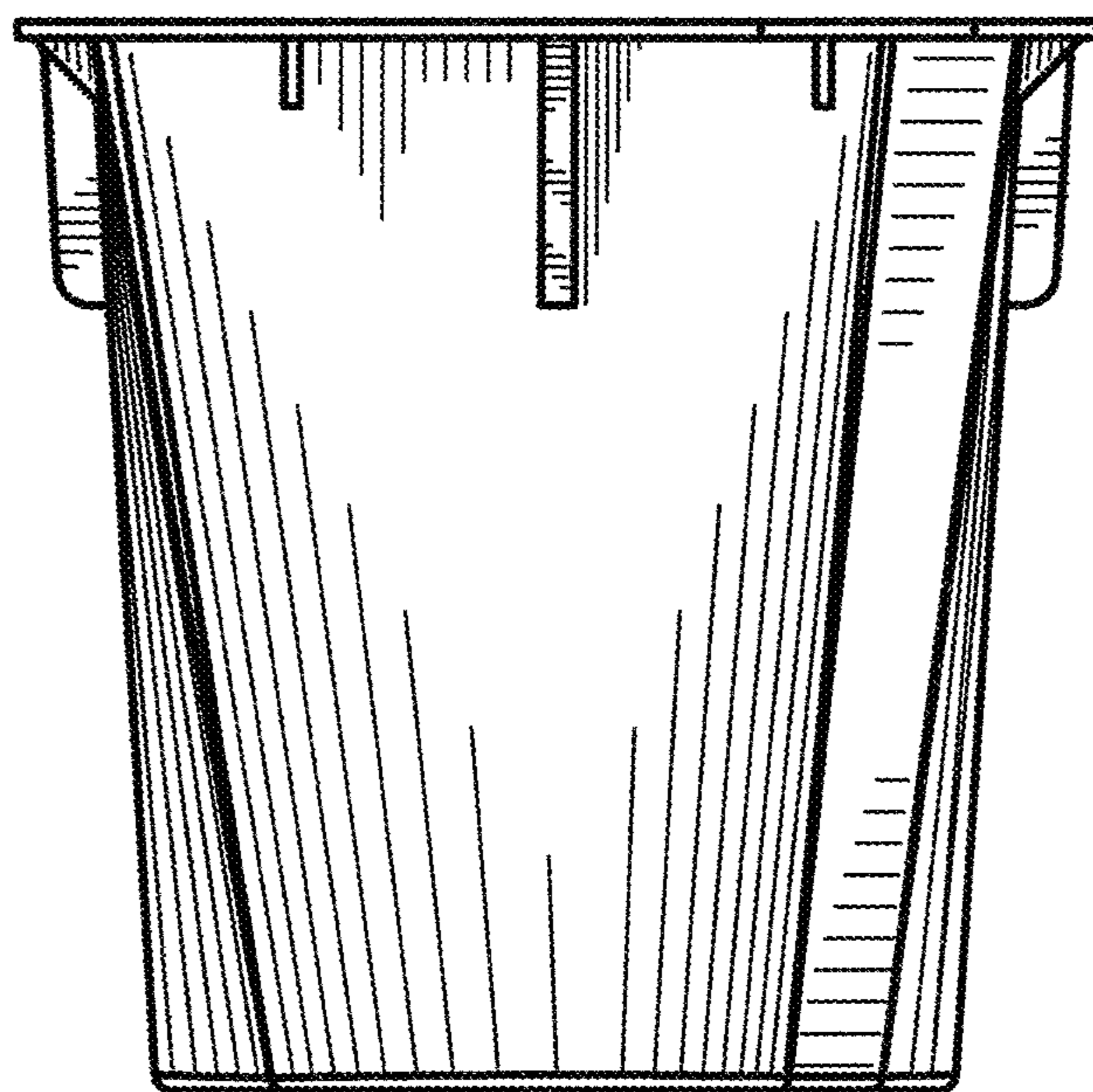


FIG. 3

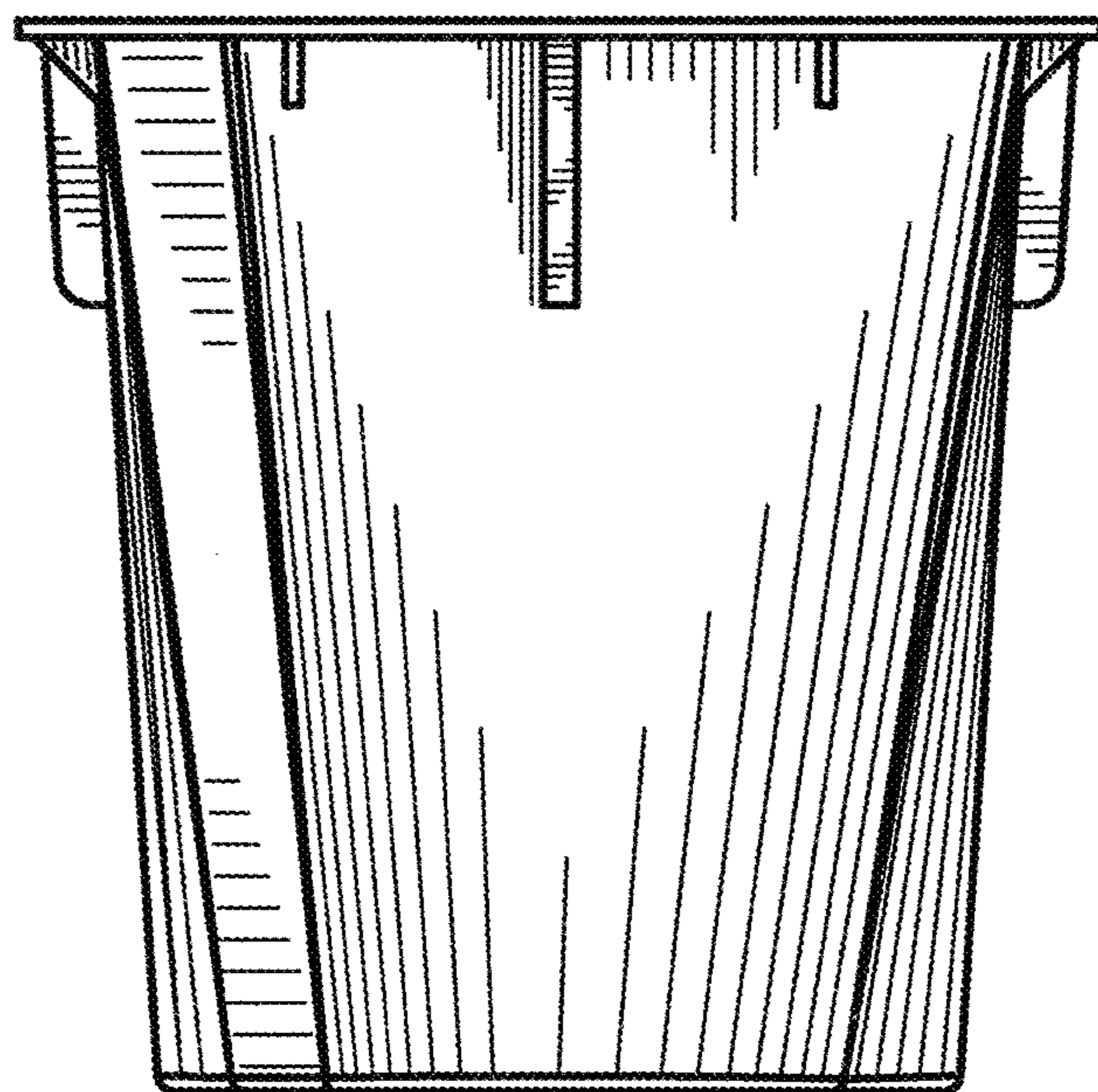


FIG. 4

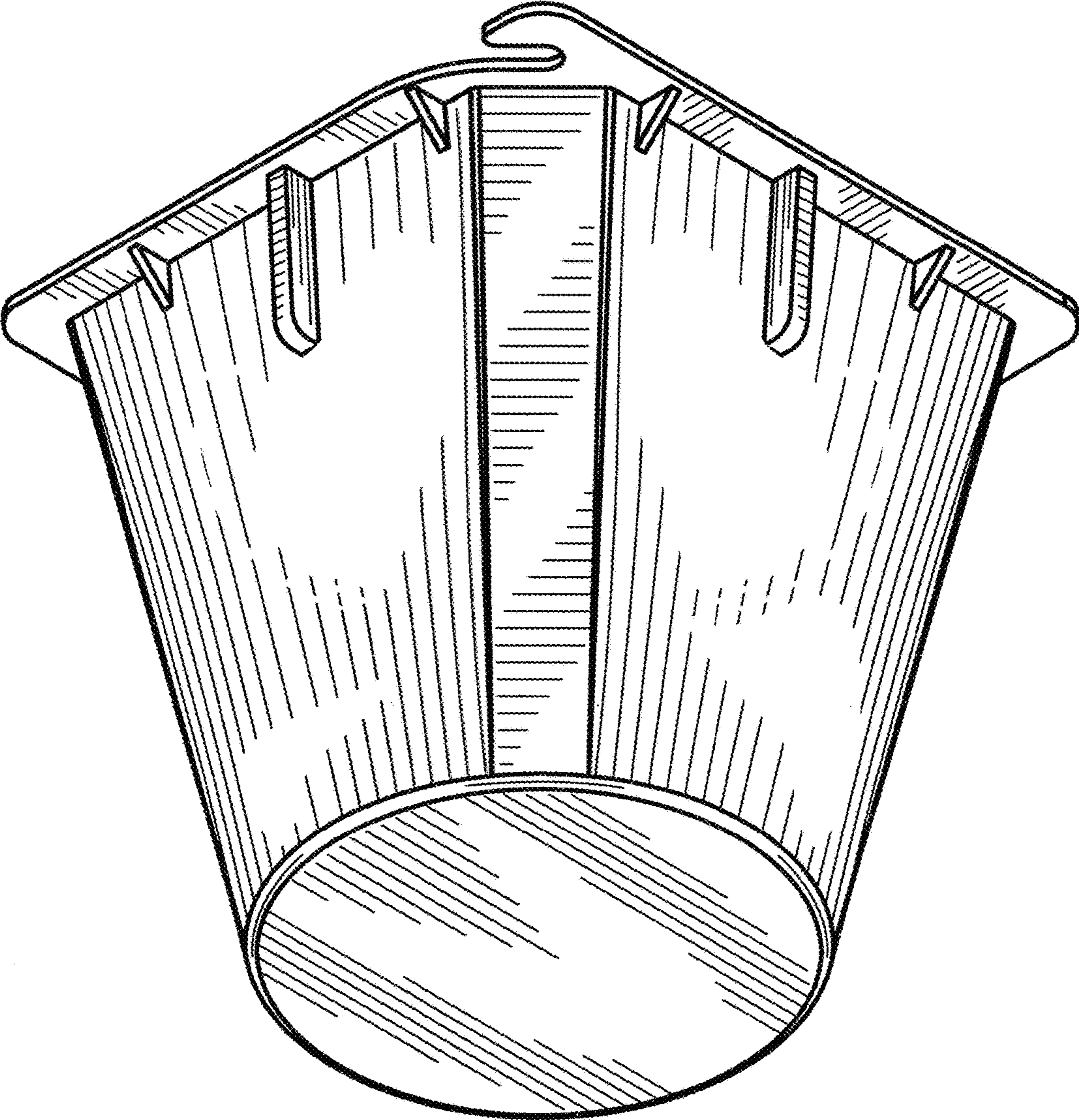


FIG. 5

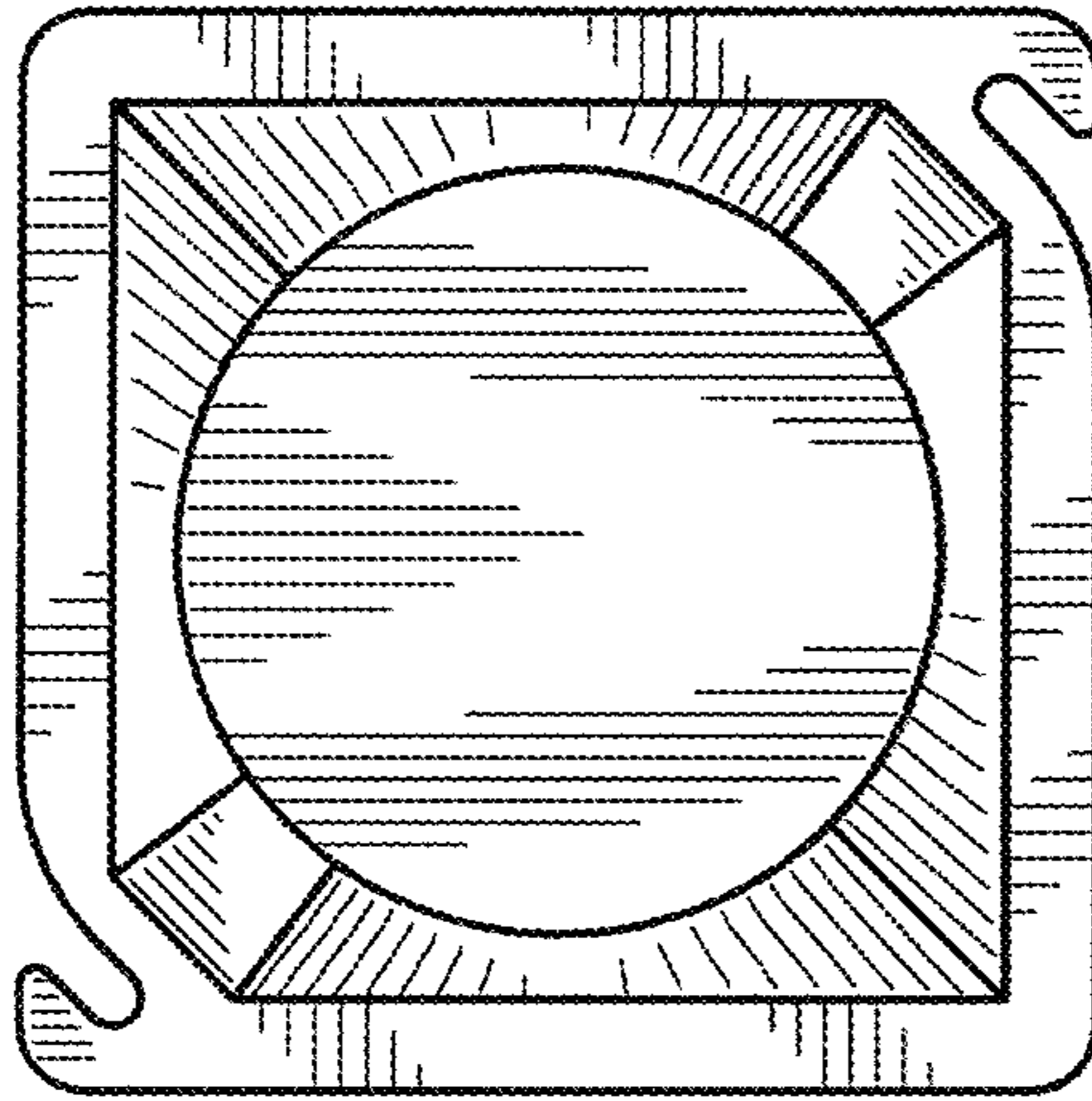


FIG. 6

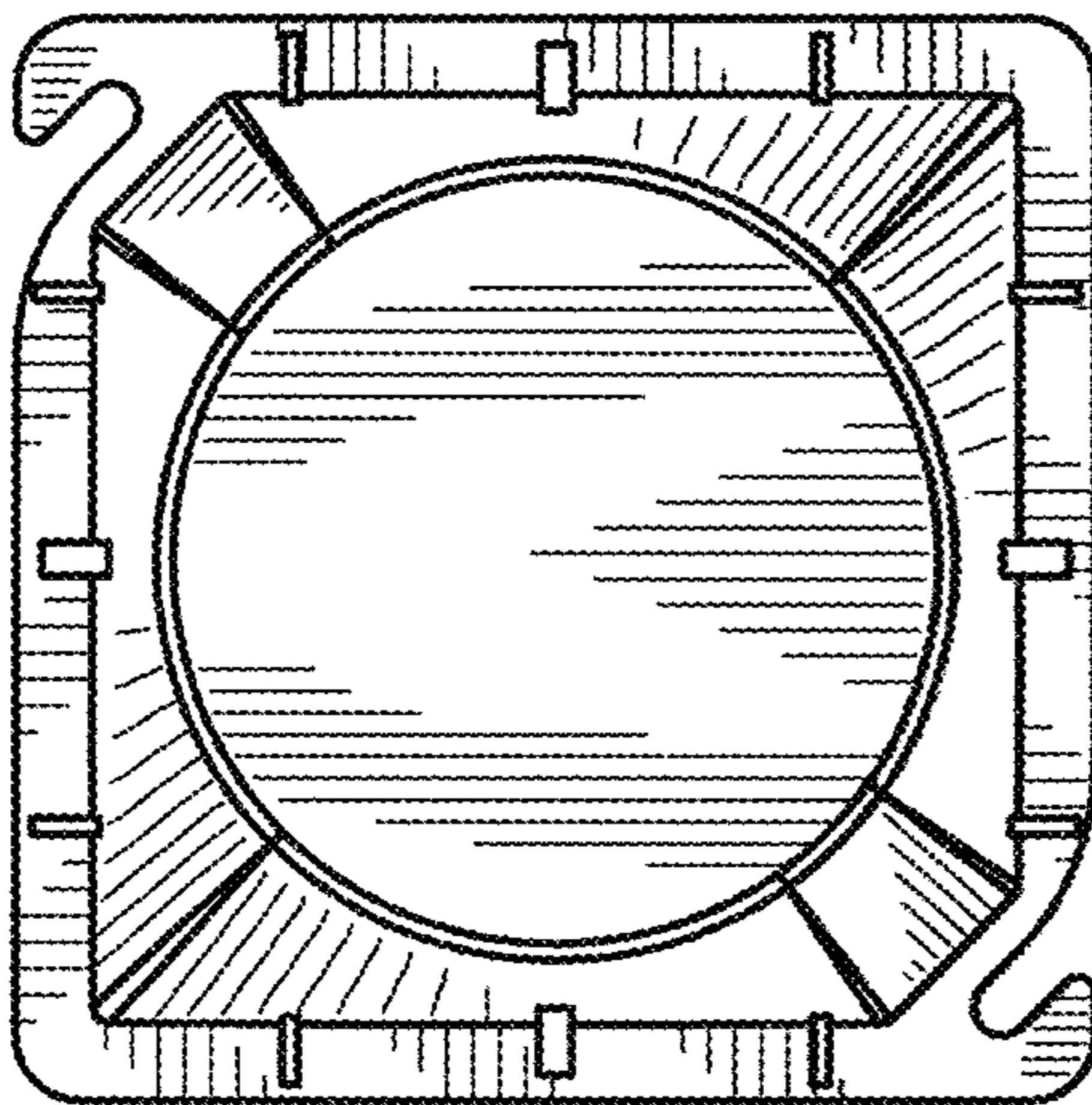


FIG. 7