



US00D791710S

(12) **United States Design Patent**
Holton

(10) **Patent No.:** **US D791,710 S**
(45) **Date of Patent:** **** Jul. 11, 2017**

(54) **SQUARE JUNCTION BOX COVER**

(71) Applicant: **William H. Holton**, Matthews, NC
(US)

(72) Inventor: **William H. Holton**, Matthews, NC
(US)

(**) Term: **15 Years**

(21) Appl. No.: **29/558,539**

(22) Filed: **Mar. 18, 2016**

(51) **LOC (10) Cl.** **13-03**

(52) **U.S. Cl.**
USPC **D13/152**

(58) **Field of Classification Search**
USPC D13/152-156, 139.1-139.3, 133, 184,
D13/199; D8/349, 353; D14/496
CPC .. H01H 2085/2075; H02G 3/08; H02G 3/123;
H02G 3/081; H02G 3/14; H02G 3/16;
H05K 5/00; H05K 5/008; H05K 5/0086;
H05K 5/04; G06F 1/181; B65D 43/00
See application file for complete search history.

(56) **References Cited**

U.S. PATENT DOCUMENTS

D684,935 S * 6/2013 Decosta D13/152
D732,482 S * 6/2015 Hagarty D13/156

D745,466 S * 12/2015 Hagarty D13/153
D778,241 S * 2/2017 Holbrook D13/152
D780,703 S * 3/2017 Bergum D13/177

* cited by examiner

Primary Examiner — Rosemary K Tarcza
Assistant Examiner — Christy Nemeth
(74) *Attorney, Agent, or Firm* — Schwartz Law Firm, P.C.

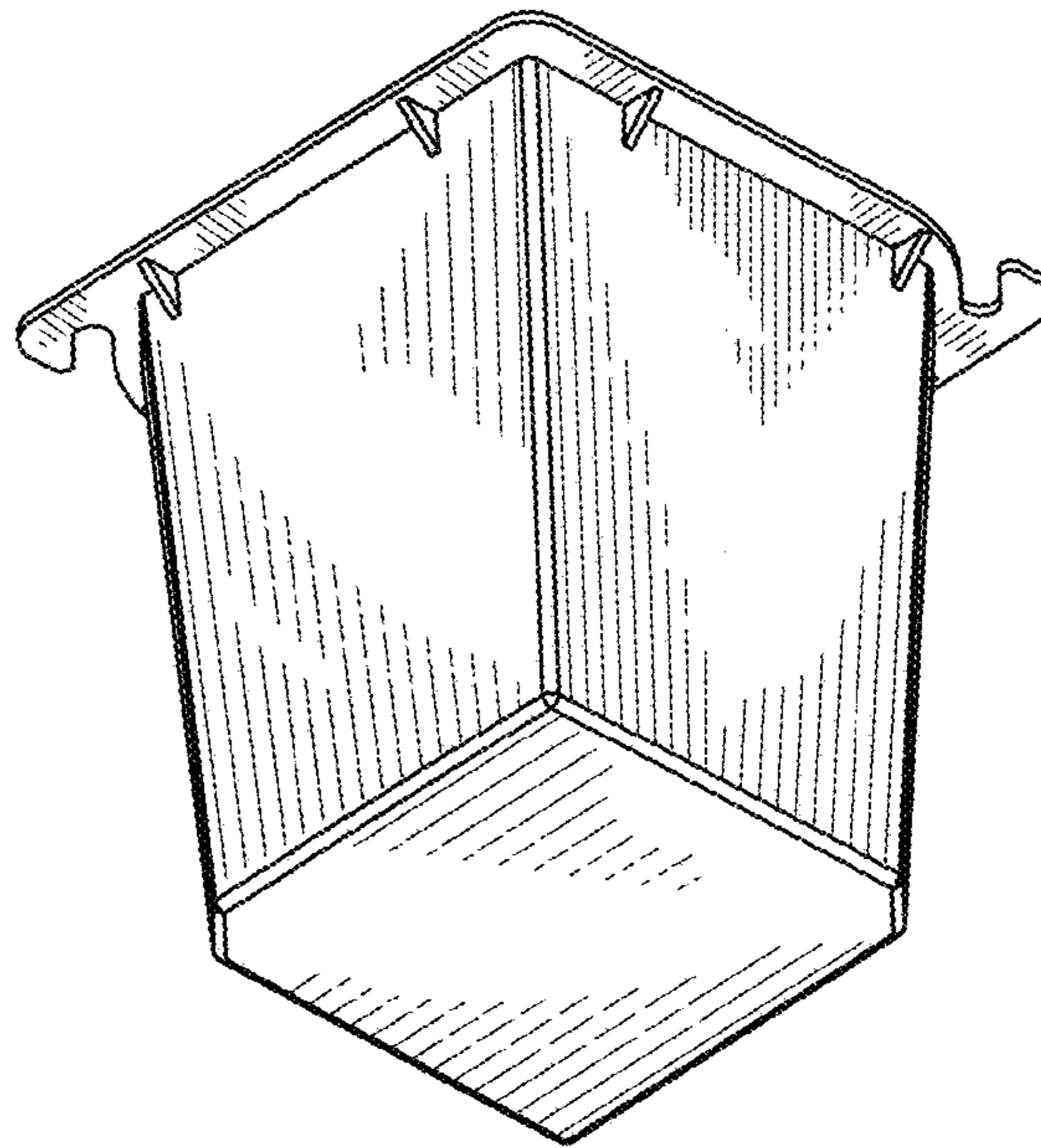
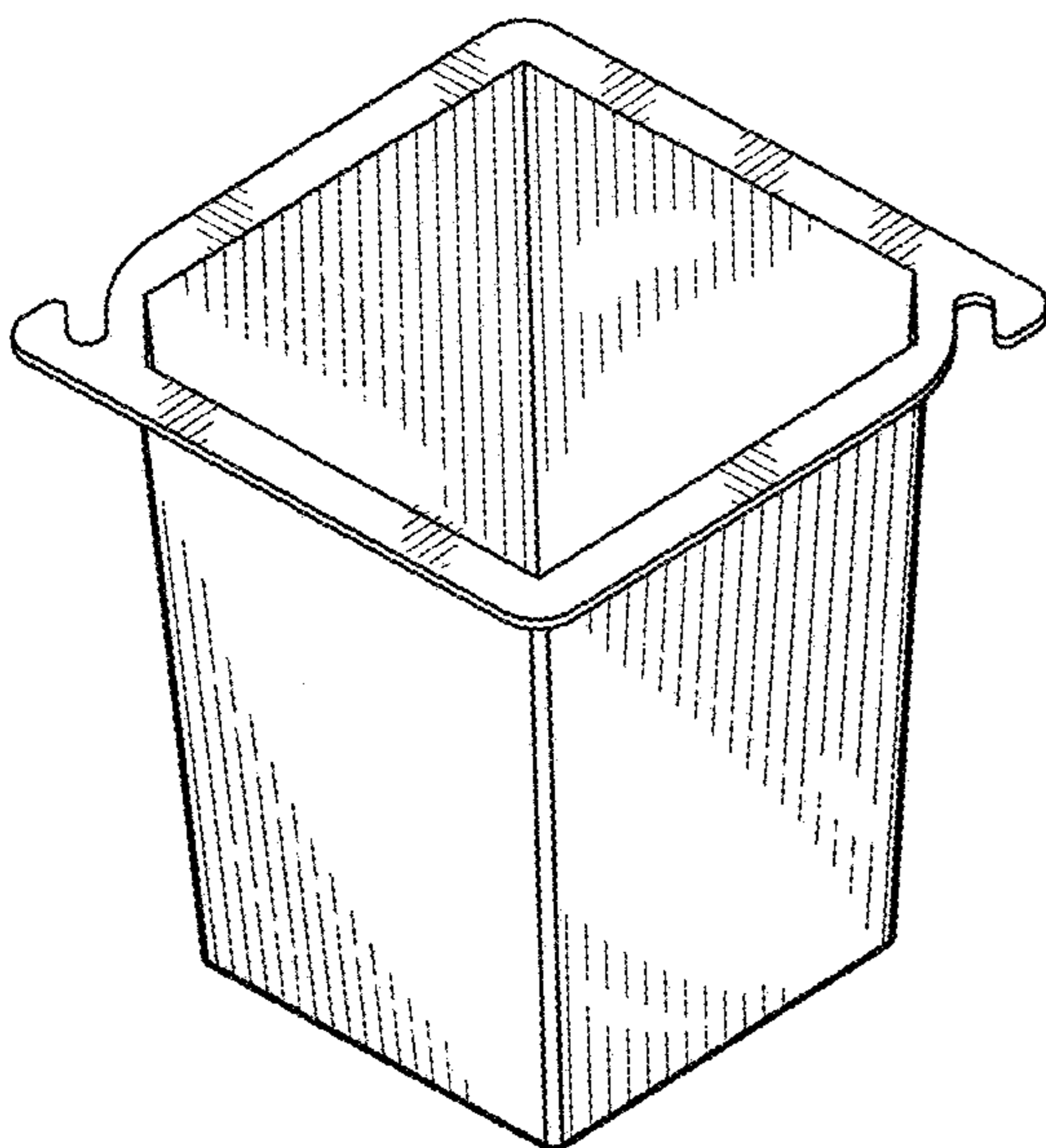
(57) **CLAIM**

I claim the ornamental design for a square junction box cover, as shown.

DESCRIPTION

FIG. 1 is a top perspective view of a square junction box cover;
FIG. 2 is another top perspective view thereof;
FIG. 3 is a side view thereof;
FIG. 4 is another side view thereof;
FIG. 5 is a bottom perspective view thereof;
FIG. 6 is a top view thereof; and,
FIG. 7 is a bottom view thereof.

1 Claim, 5 Drawing Sheets



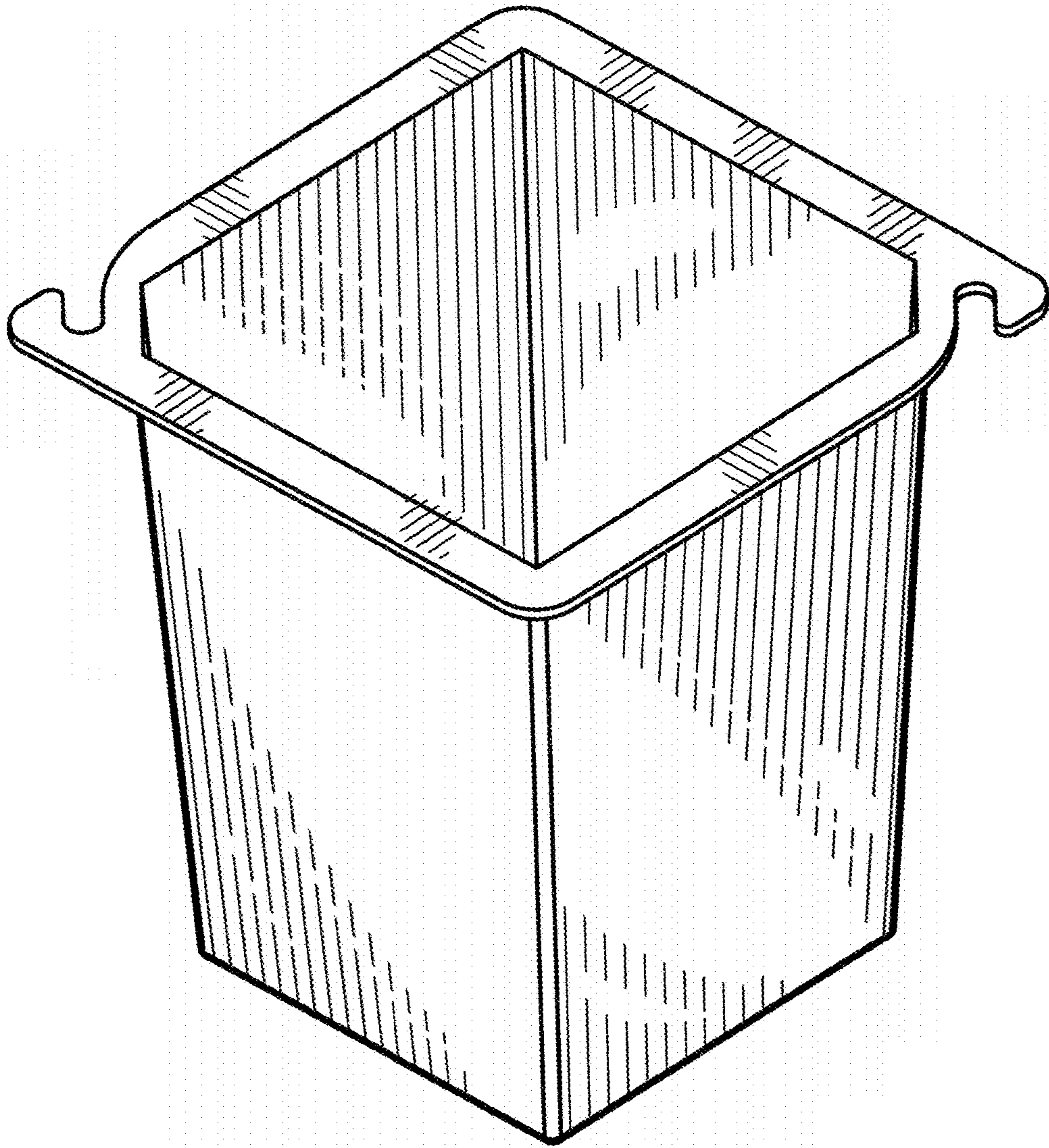


FIG. 1

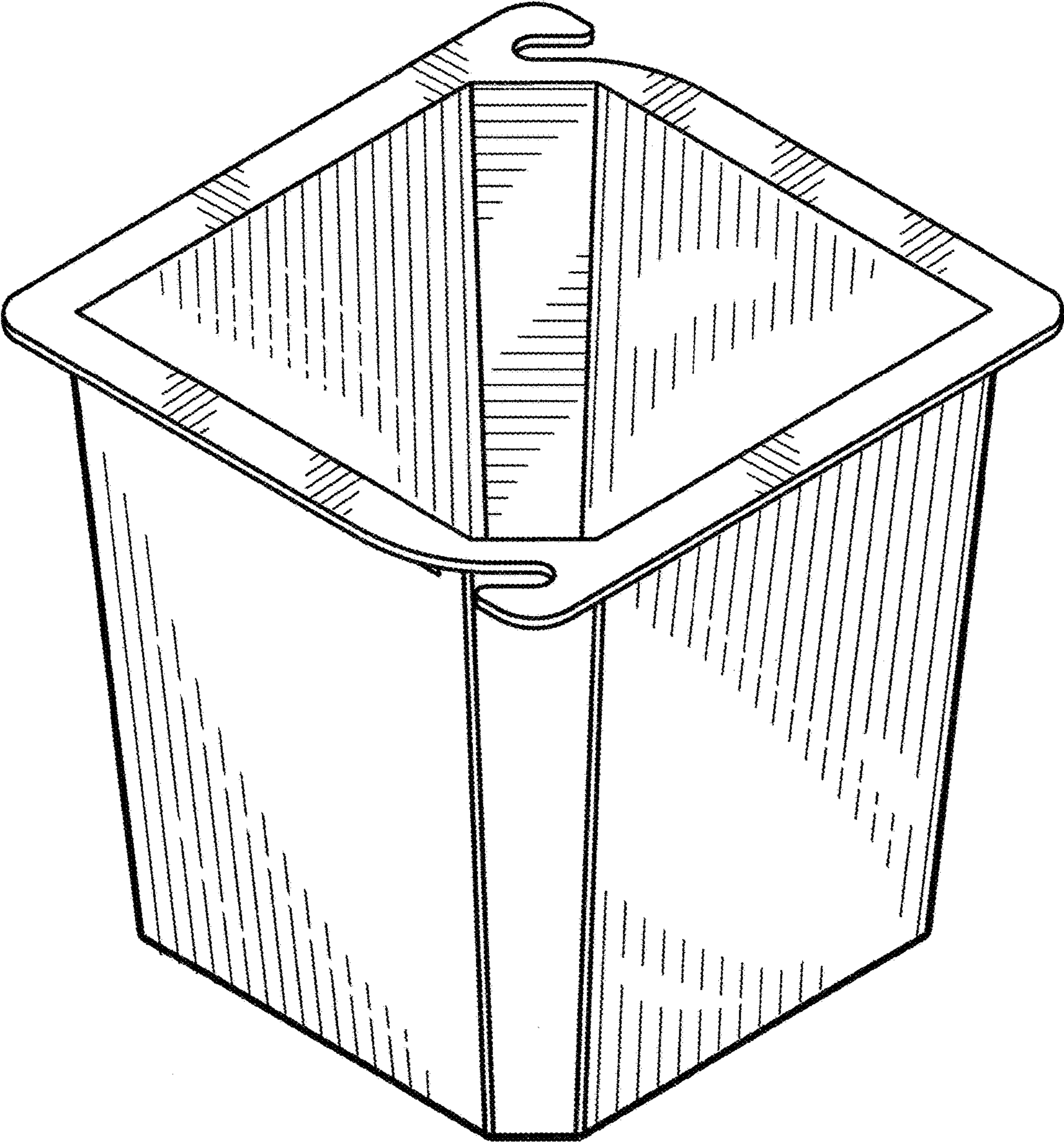


FIG. 2

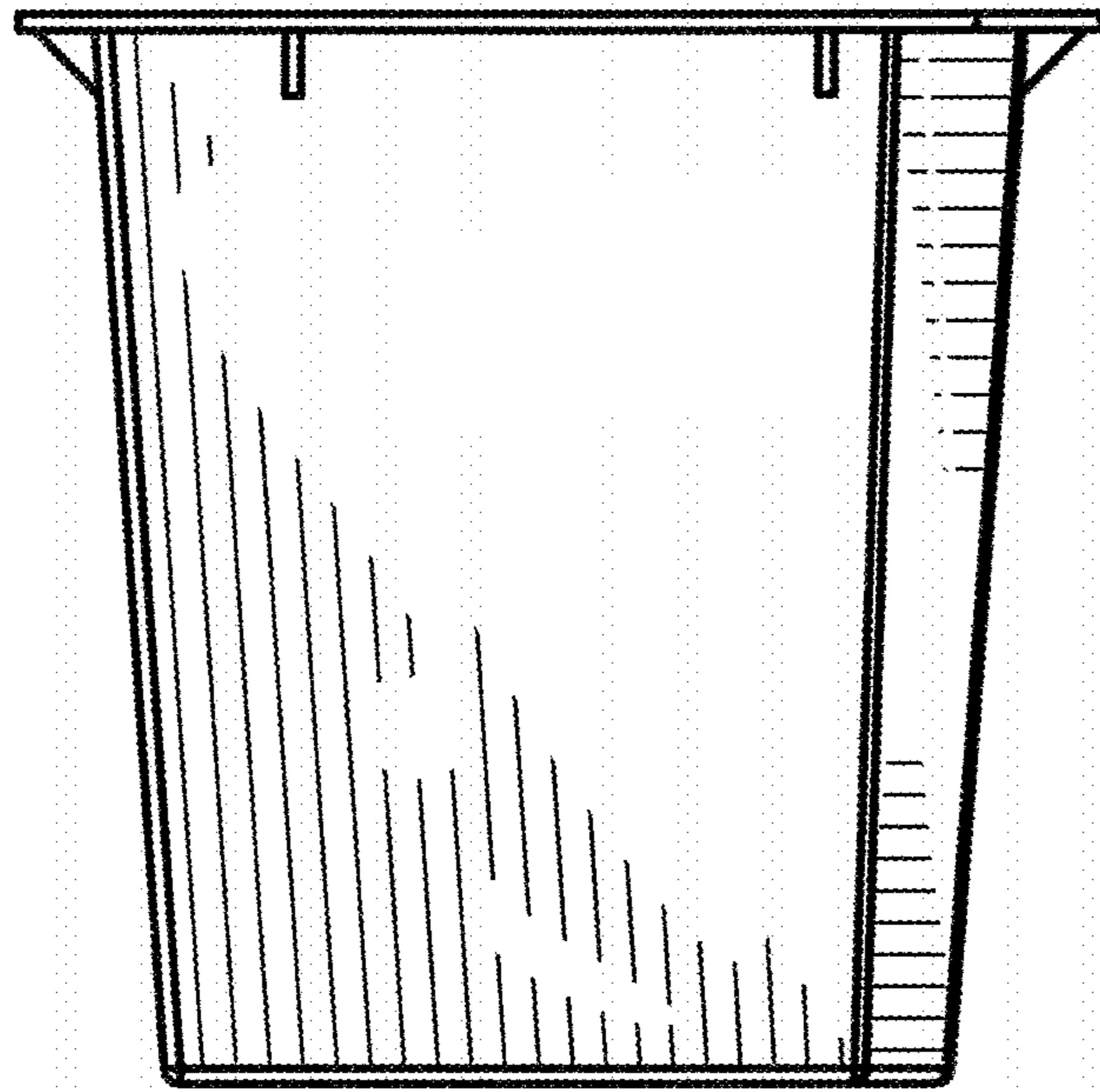


FIG. 3

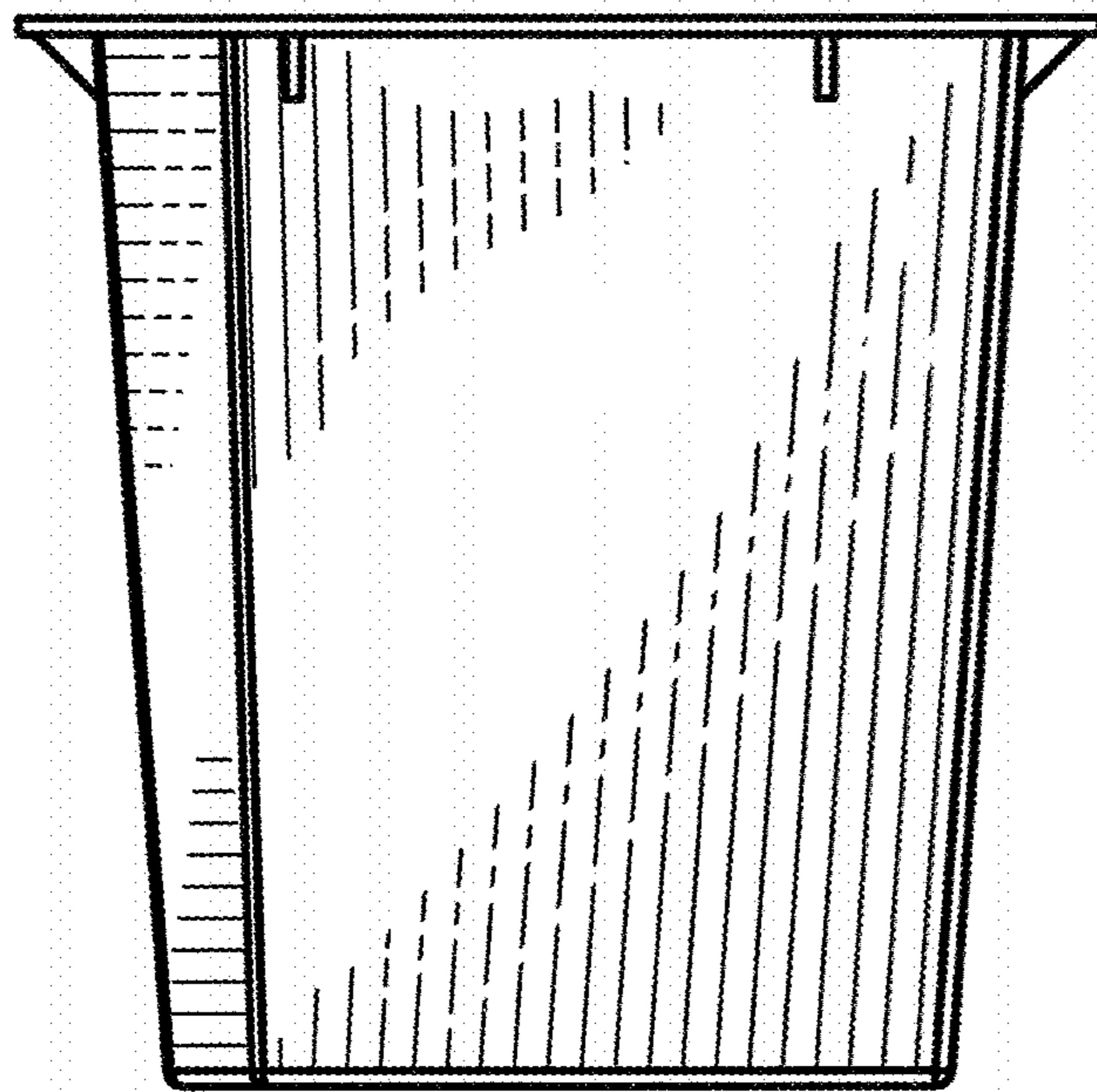


FIG. 4

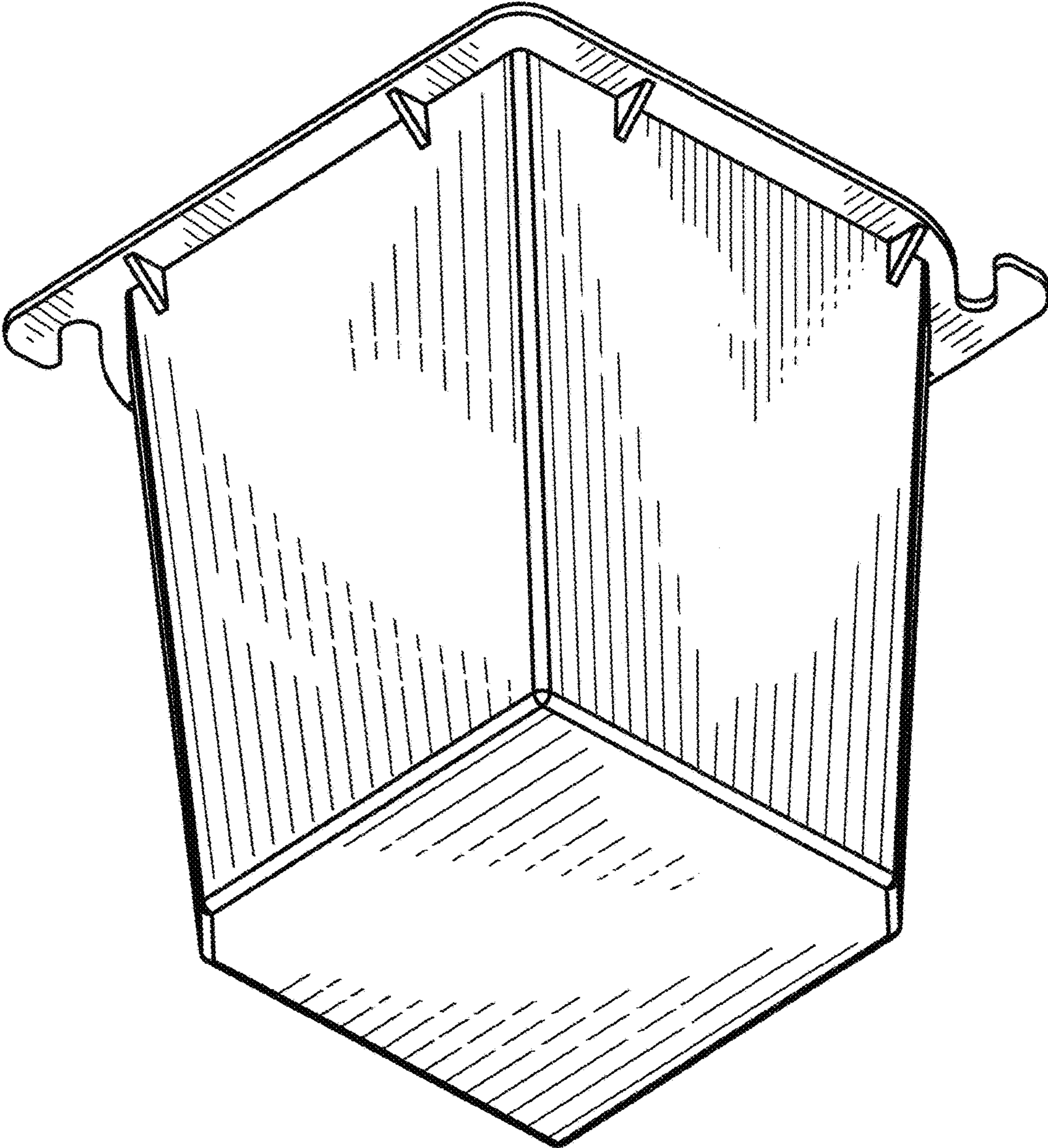


FIG. 5

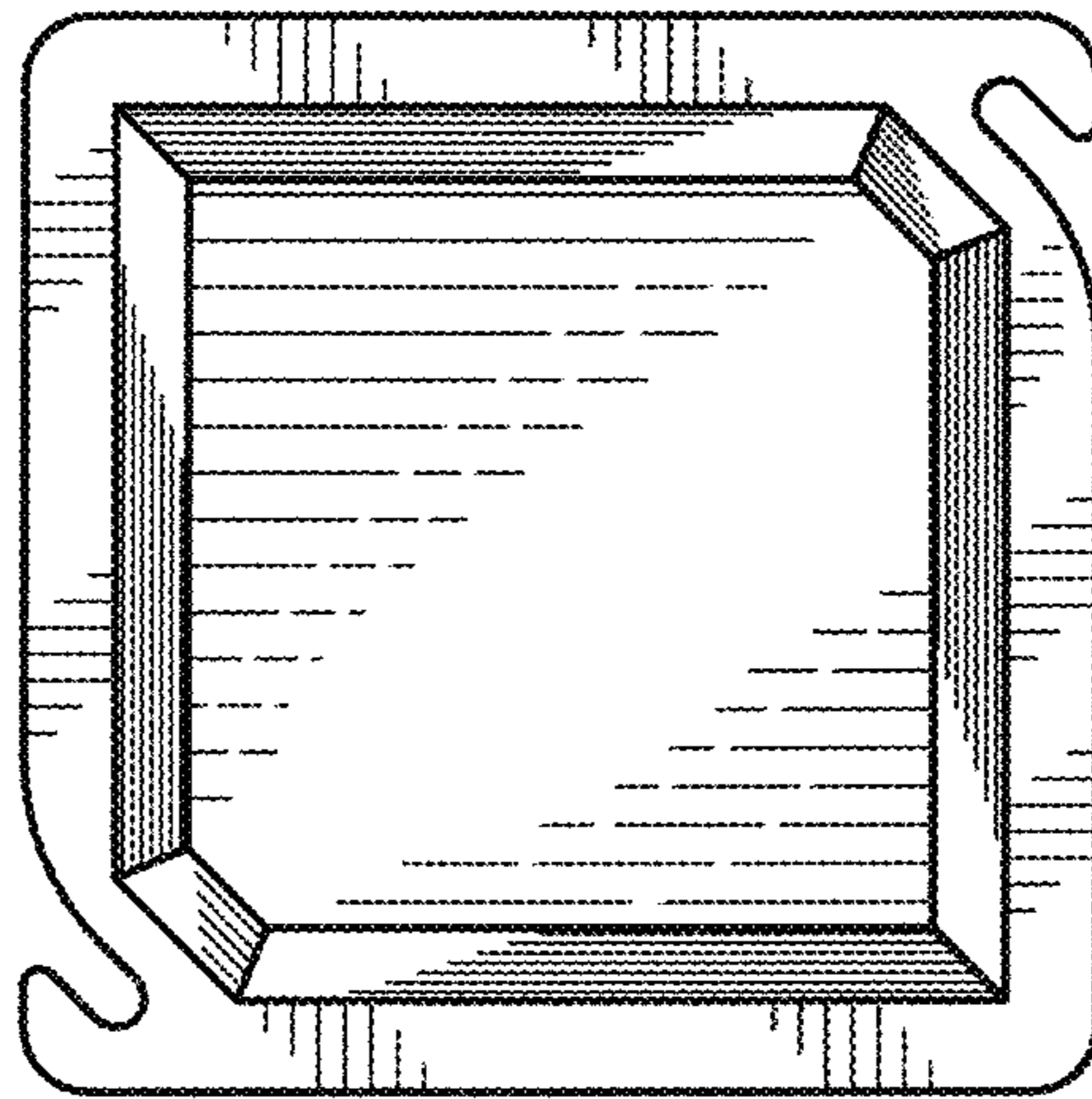


FIG. 6

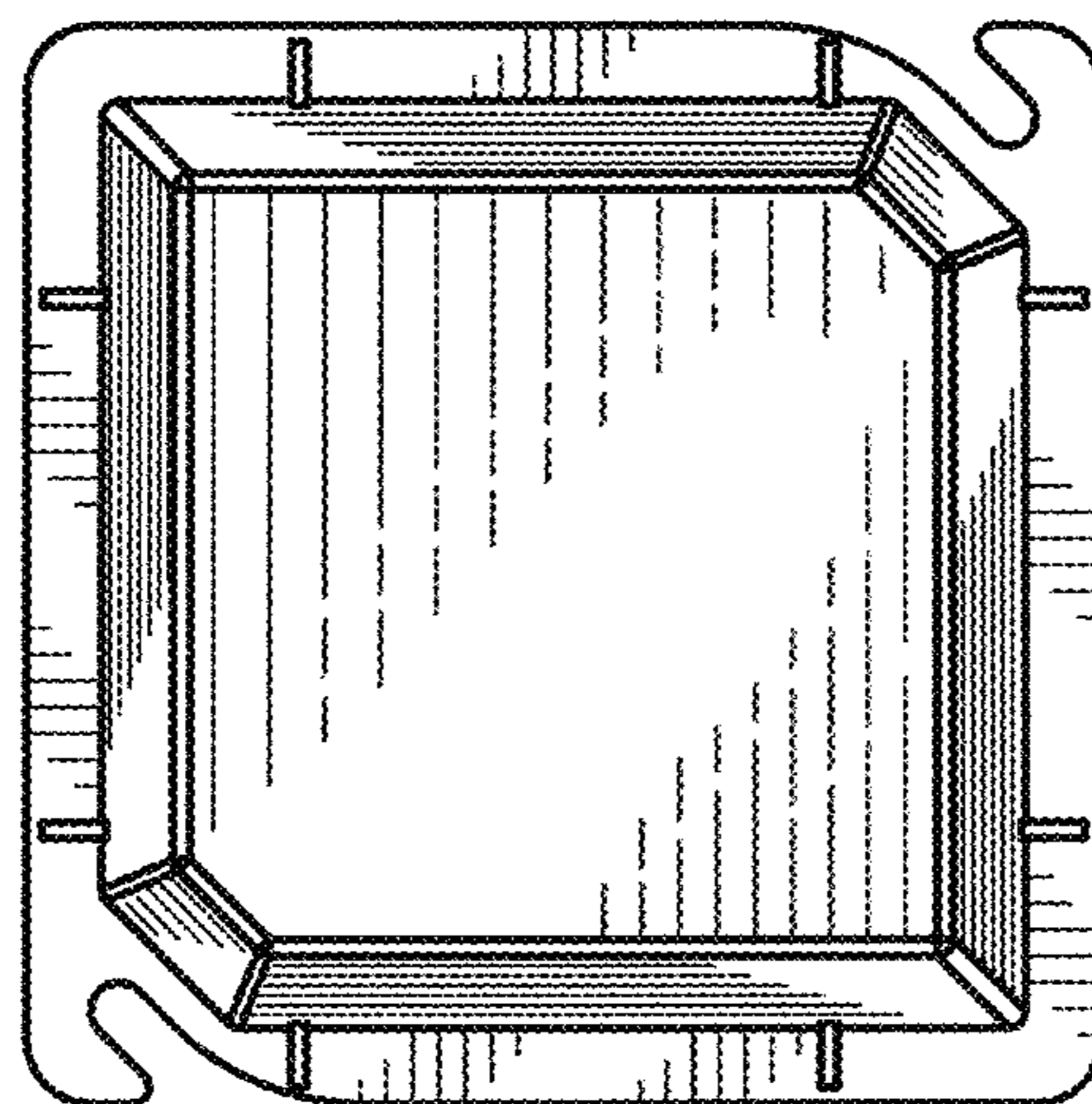


FIG. 7