



US00D791706S

(12) **United States Design Patent** (10) **Patent No.:** **US D791,706 S**  
**Li et al.** (45) **Date of Patent:** **\*\* Jul. 11, 2017**

(54) **CONNECTOR HOUSING**  
(71) Applicant: **Molex, LLC**, Lisle, IL (US)  
(72) Inventors: **Dixon Li**, Shanghai (KR); **Anson Yin**, Shanghai (KR)  
(73) Assignee: **Molex, LLC**, Lisle, IL (US)  
(\*\*) Term: **15 Years**  
(21) Appl. No.: **29/563,136**  
(22) Filed: **May 2, 2016**  
(51) **LOC (10) Cl.** ..... **13-03**  
(52) **U.S. Cl.**  
USPC ..... **D13/147**  
(58) **Field of Classification Search**  
USPC ..... D13/133, 146, 147, 154, 155, 156, 184, D13/199

(Continued)

(56) **References Cited**

U.S. PATENT DOCUMENTS

D316,703 S \* 5/1991 Eto ..... D13/147  
D463,370 S \* 9/2002 Chen ..... D13/147

(Continued)

FOREIGN PATENT DOCUMENTS

WO 2015/112975 A1 7/2015

*Primary Examiner* — Daniel Bui

(74) *Attorney, Agent, or Firm* — Banner & Witcoff, Ltd.

(57) **CLAIM**

The ornamental design for connector housing, as shown and described.

**DESCRIPTION**

FIG. 1 is a front perspective view of a connector housing showing a first embodiment of our new design;

FIG. 2 is a top view thereof;  
FIG. 3 is a bottom view thereof;  
FIG. 4 is a right side view thereof;  
FIG. 5 is a left side view thereof;  
FIG. 6 is a front view thereof;  
FIG. 7 is a rear view thereof;  
FIG. 8 is a front perspective view of a connector housing showing a second embodiment of our new design;  
FIG. 9 is a top view thereof;  
FIG. 10 is a bottom view thereof;  
FIG. 11 is a right side view thereof;  
FIG. 12 is a left side view thereof;  
FIG. 13 is a front view thereof;  
FIG. 14 is a rear view thereof;  
FIG. 15 is a front perspective view of a connector housing showing a third embodiment of our new design;  
FIG. 16 is a top view thereof;  
FIG. 17 is a bottom view thereof;  
FIG. 18 is a right side view thereof;  
FIG. 19 is a left side view thereof;  
FIG. 20 is a front view thereof;  
FIG. 21 is a rear view thereof;  
FIG. 22 is a front perspective view of a connector housing showing a fourth embodiment of our new design;  
FIG. 23 is a top view thereof;  
FIG. 24 is a bottom view thereof;  
FIG. 25 is a right side view thereof;  
FIG. 26 is a left side view thereof;  
FIG. 27 is a front view thereof;  
FIG. 28 is a rear view thereof;  
FIG. 29 is a front perspective view of a connector housing showing a fifth embodiment of our new design;  
FIG. 30 is a top view thereof;  
FIG. 31 is a bottom view thereof;  
FIG. 32 is a right side view thereof;  
FIG. 33 is a left side view thereof;  
FIG. 34 is a front view thereof;  
FIG. 35 is a rear view thereof;  
FIG. 36 is a front perspective view of a connector housing showing a sixth embodiment of our new design;  
FIG. 37 is a top view thereof;  
FIG. 38 is a bottom view thereof;  
FIG. 39 is a right side view thereof;  
FIG. 40 is a left side view thereof;

(Continued)

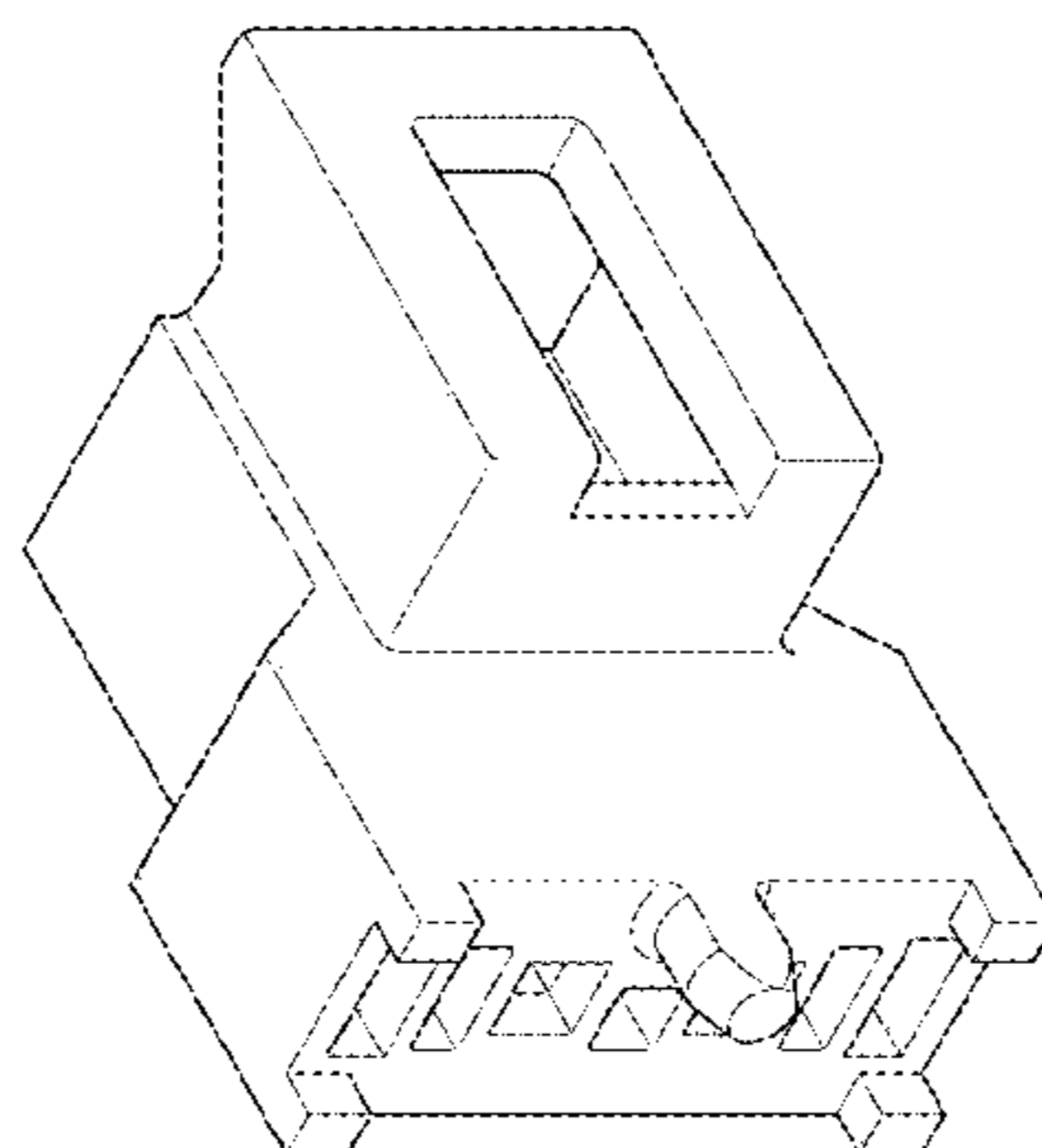


FIG. 41 is a front view thereof;  
FIG. 42 is a rear view thereof;  
FIG. 43 is a front perspective view of a connector housing showing a seventh embodiment Of our design;  
FIG. 44 is a top view thereof;  
FIG. 45 is a bottom view thereof;  
FIG. 46 is a right side view thereof;  
FIG. 47 is a left side view thereof;  
FIG. 48 is a front view thereof; and,  
FIG. 49 is a rear view thereof.  
The connector housing in each embodiment is symmetrical about its longitudinal center plane.

**1 Claim, 49 Drawing Sheets**

(58) **Field of Classification Search**  
CPC .... H01R 13/02; H01R 13/436; H01R 13/502;

H01R 13/504; H01R 13/506; H01R 13/514; H01R 13/5208; H01R 13/627; H01R 13/639; H01R 13/6581; H01R 24/20; H01R 24/28

See application file for complete search history.

(56)

**References Cited**

U.S. PATENT DOCUMENTS

D479,199	S	*	9/2003	Jones	.....	D13/147
D524,751	S	*	7/2006	Lee	.....	D13/147
D531,960	S	*	11/2006	Kondas	.....	D13/147
D583,770	S	*	12/2008	Ramsey	.....	D13/146
D605,133	S	*	12/2009	Tanaka	.....	D13/147
D719,098	S	*	12/2014	Endo	.....	D13/147
D748,580	S	*	2/2016	Endo	.....	D13/146
D748,588	S	*	2/2016	Endo	.....	D13/147
D751,990	S	*	3/2016	Ikeda	.....	D13/147

\* cited by examiner

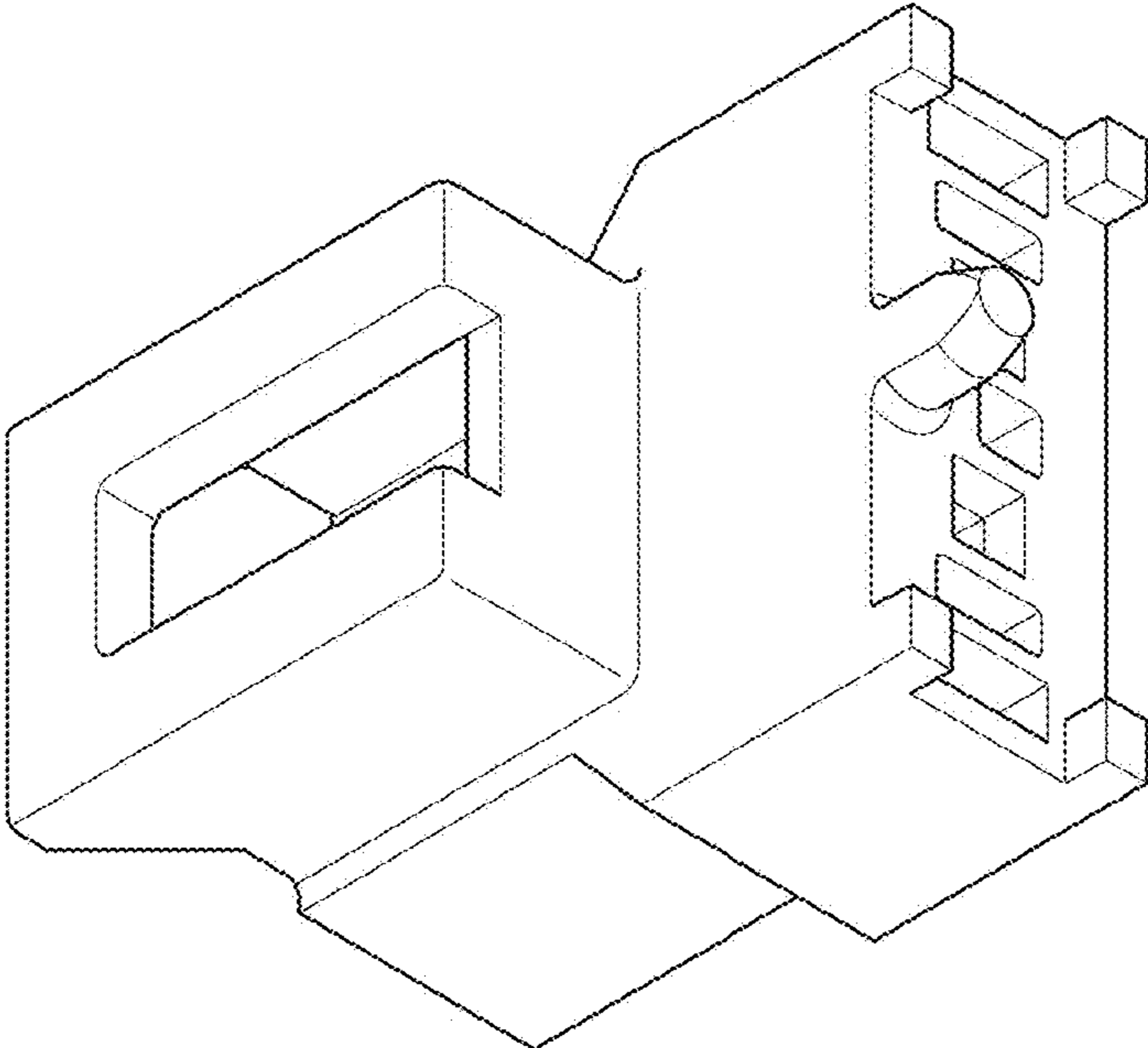


FIG. 1

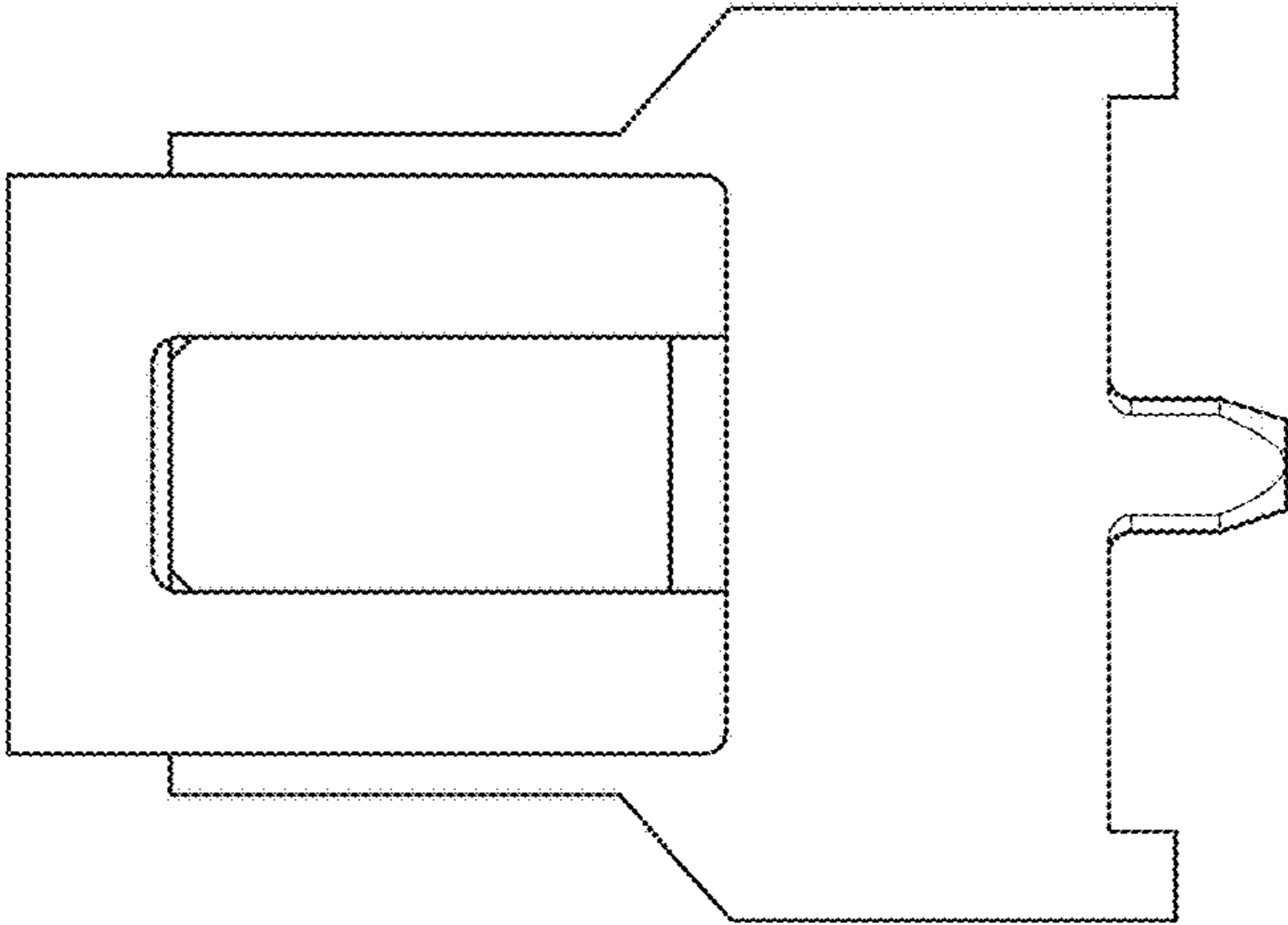


FIG. 2

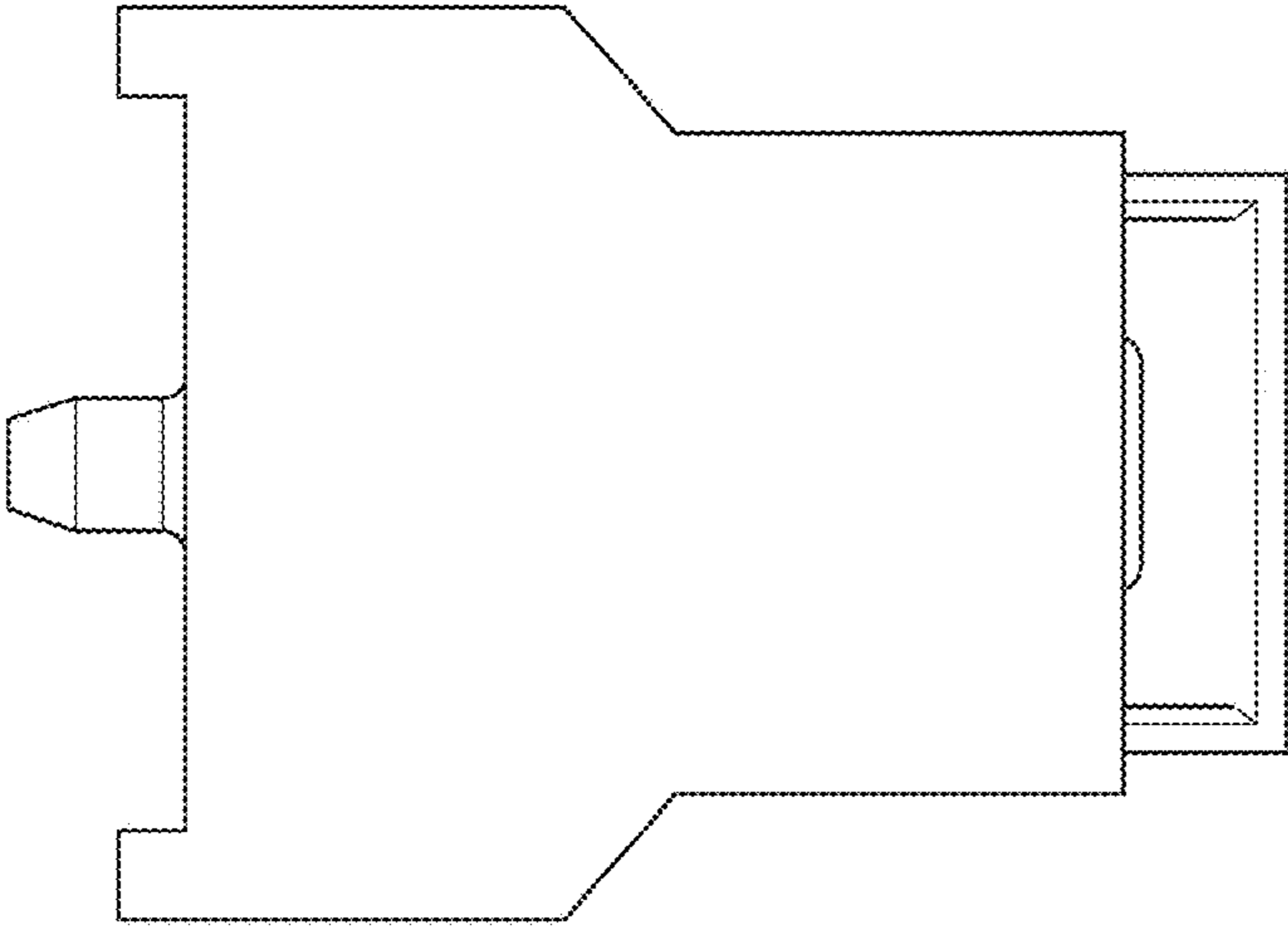


FIG. 3

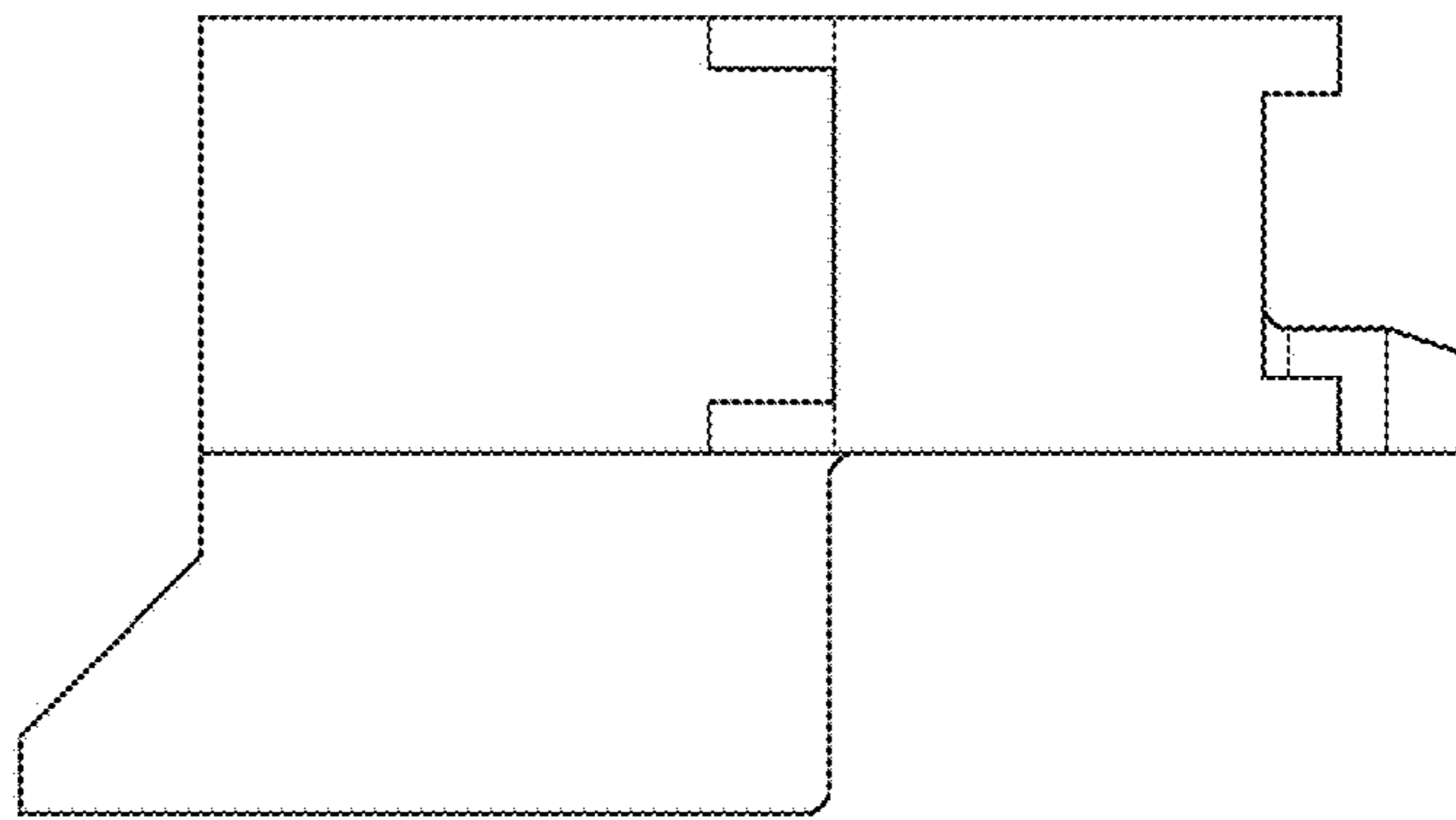


FIG. 4

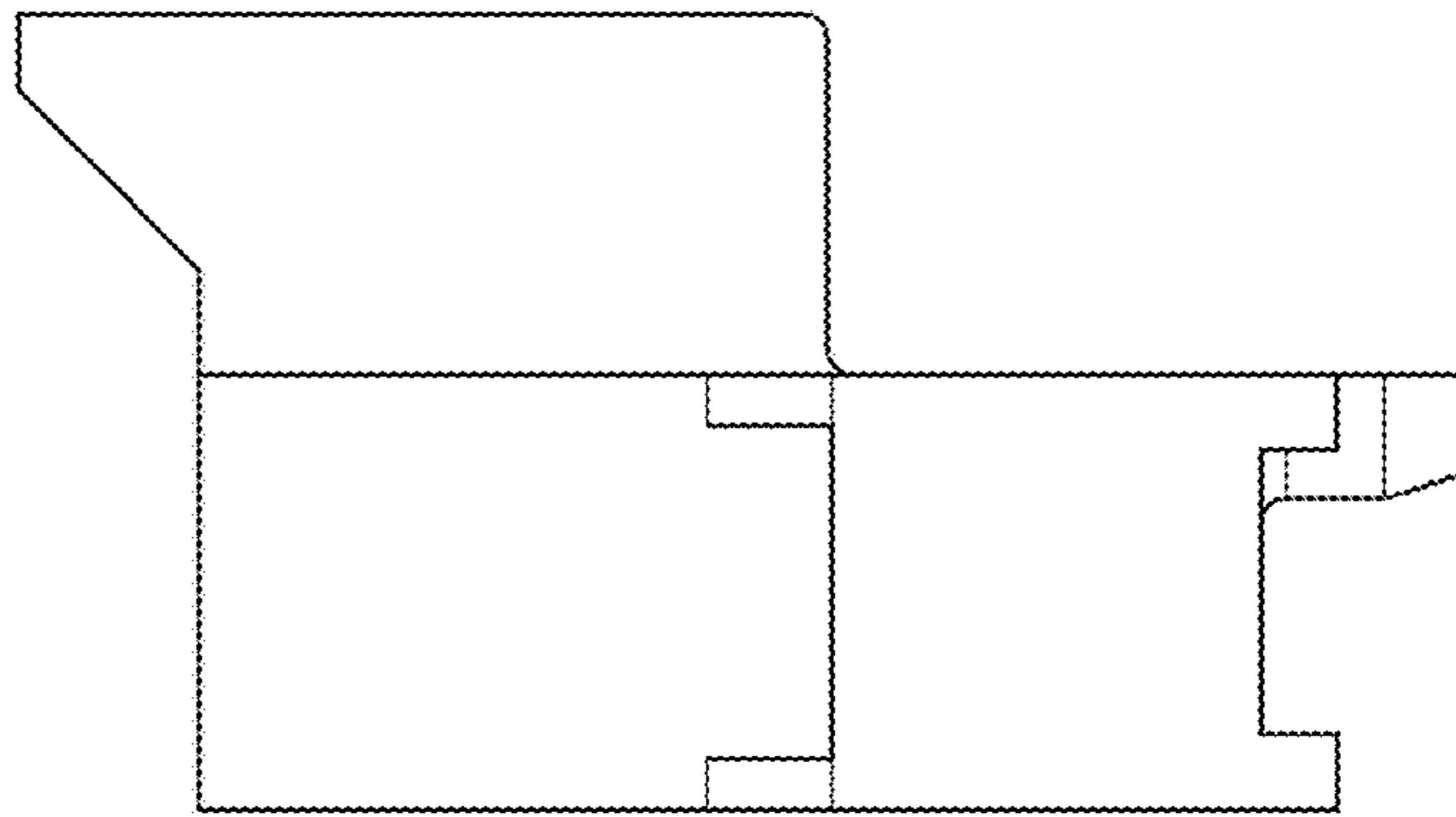


FIG. 5

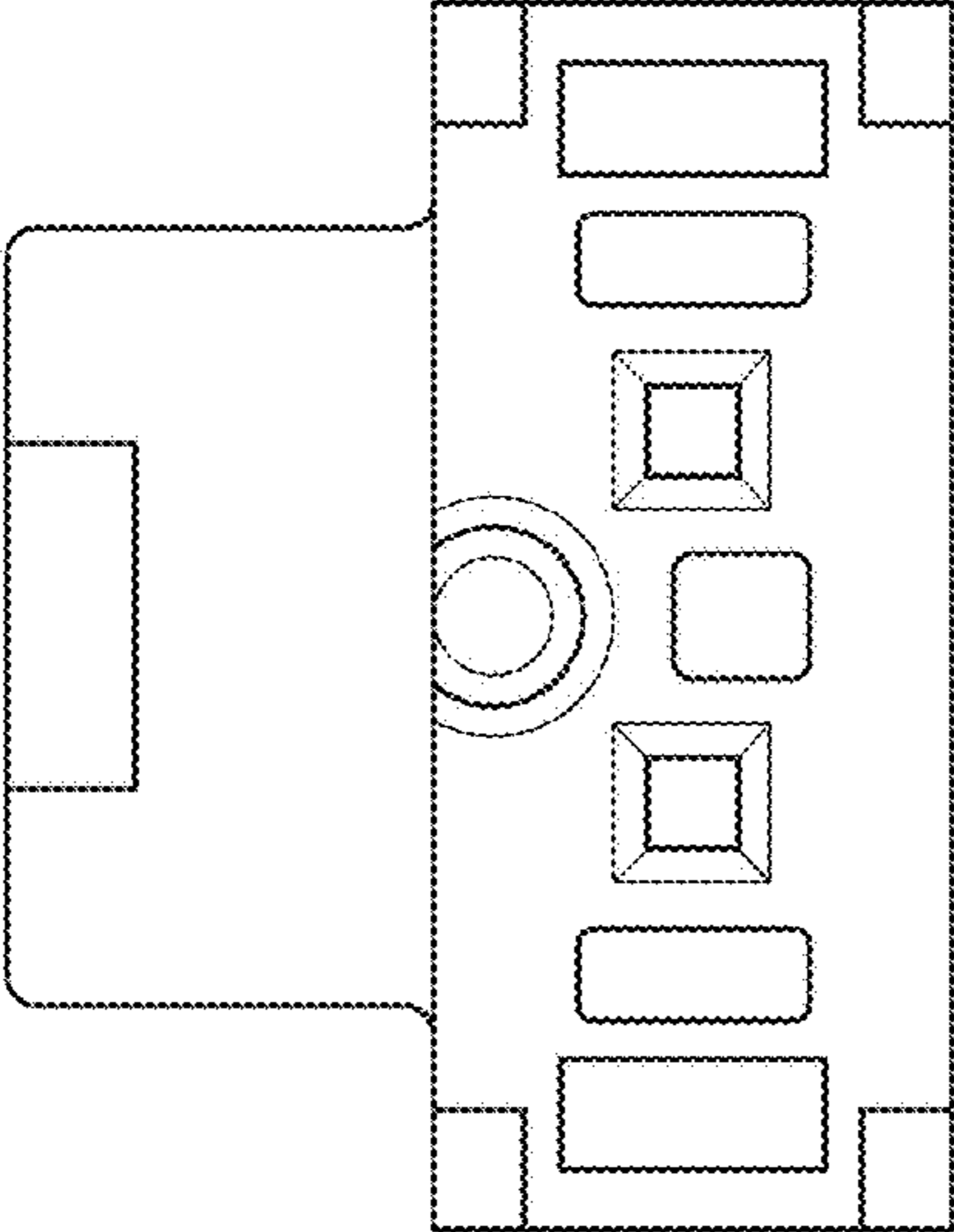


FIG. 6



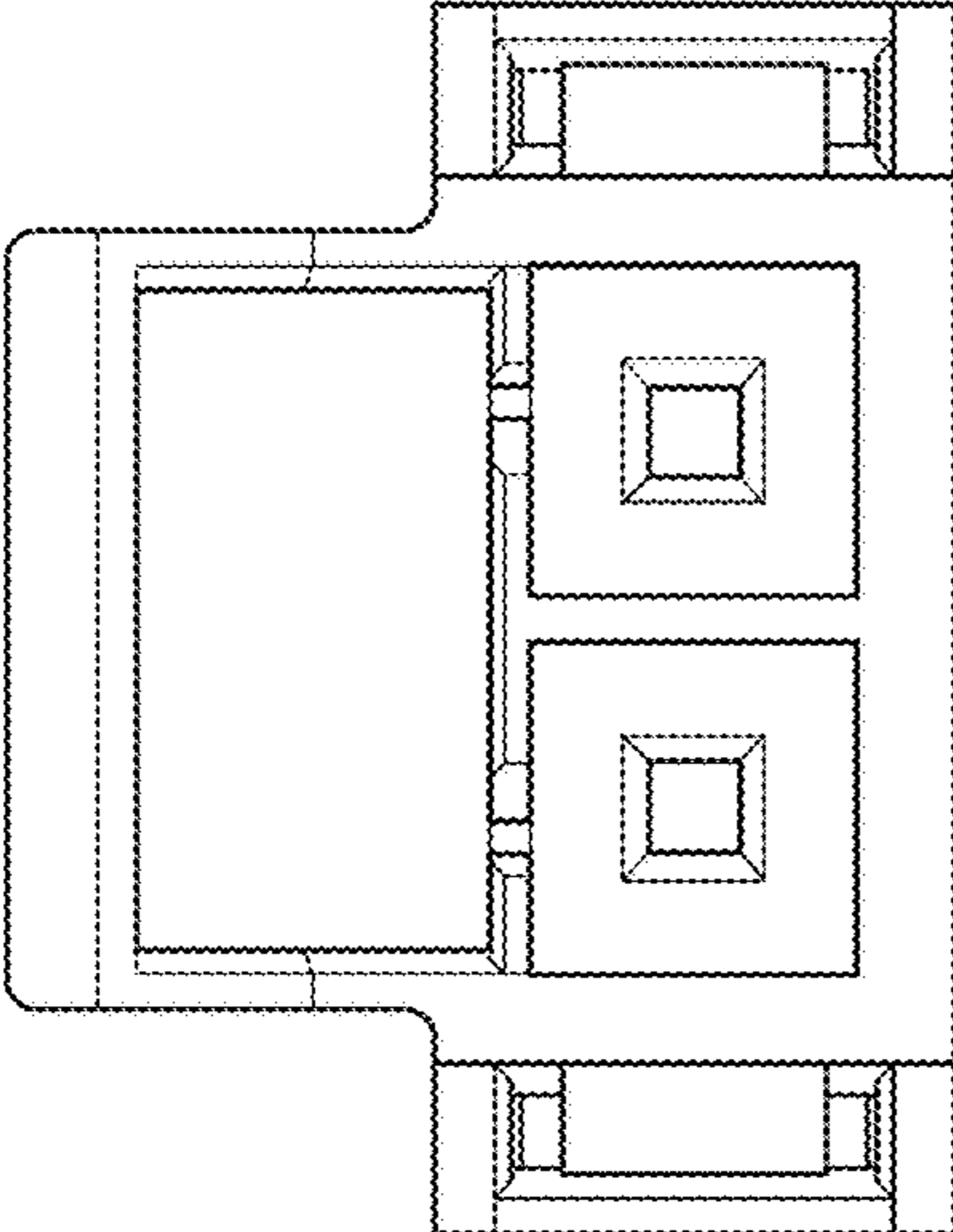


FIG. 7

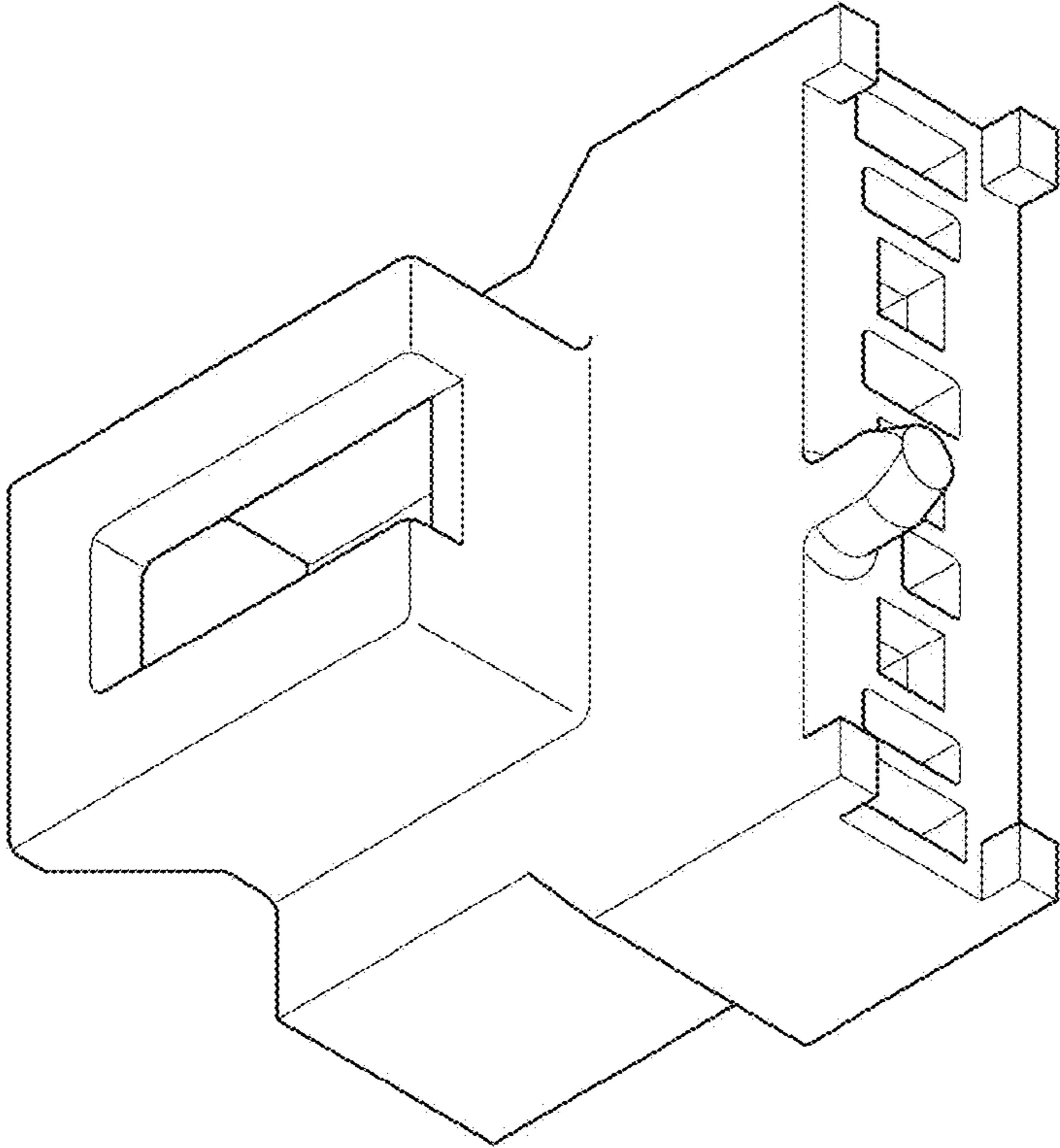


FIG. 8

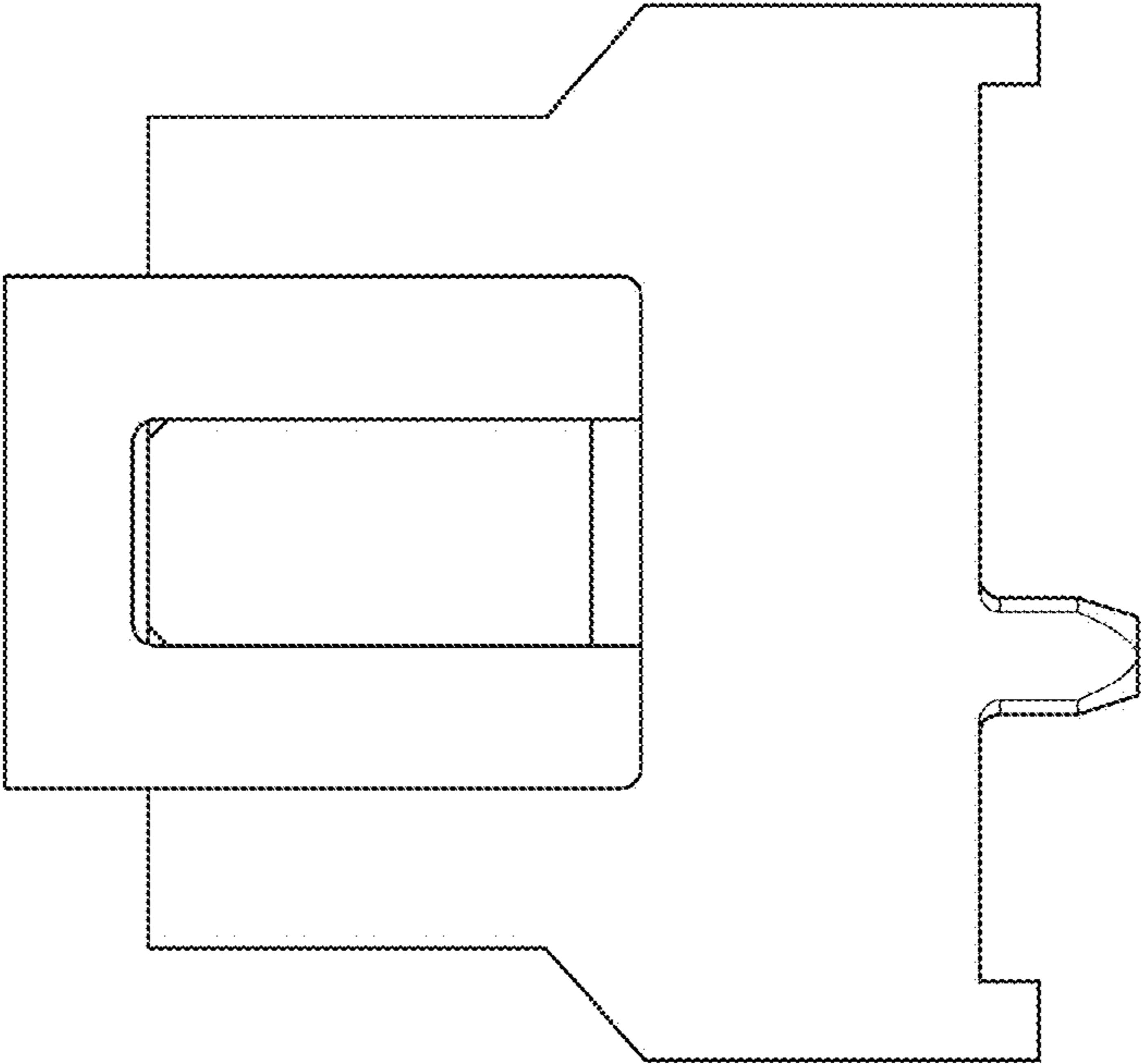


FIG. 9

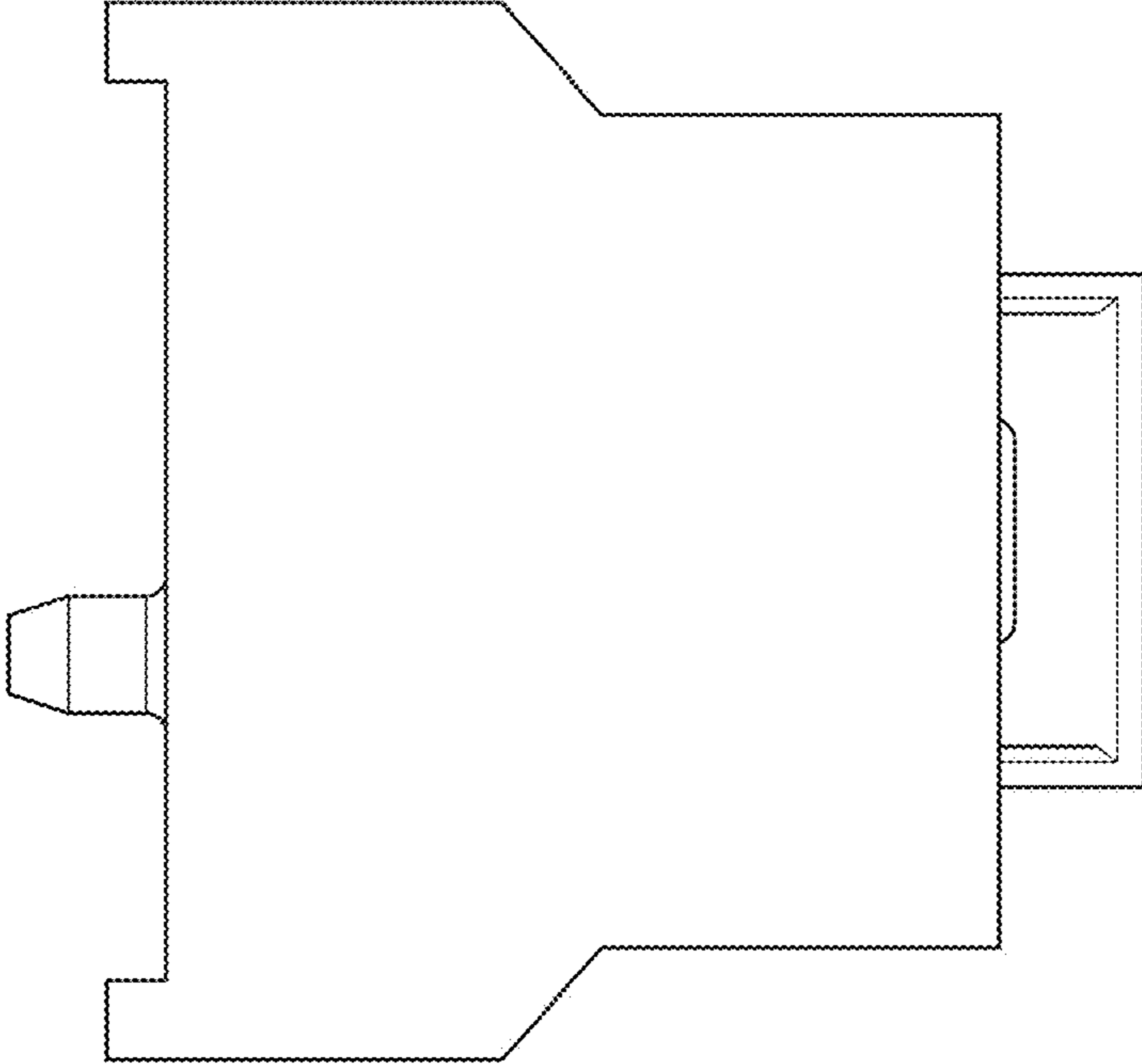


FIG. 10

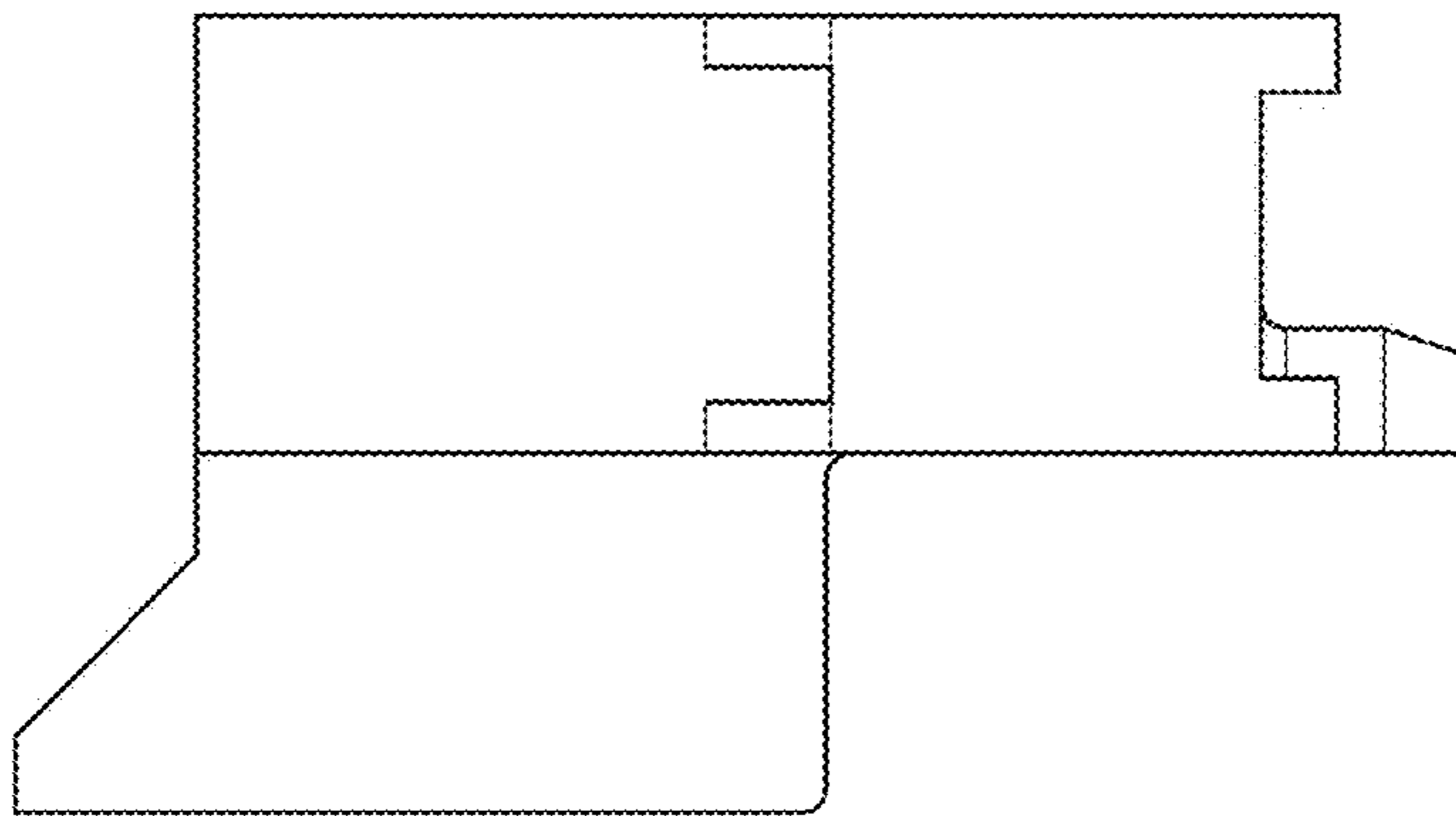


FIG. 11

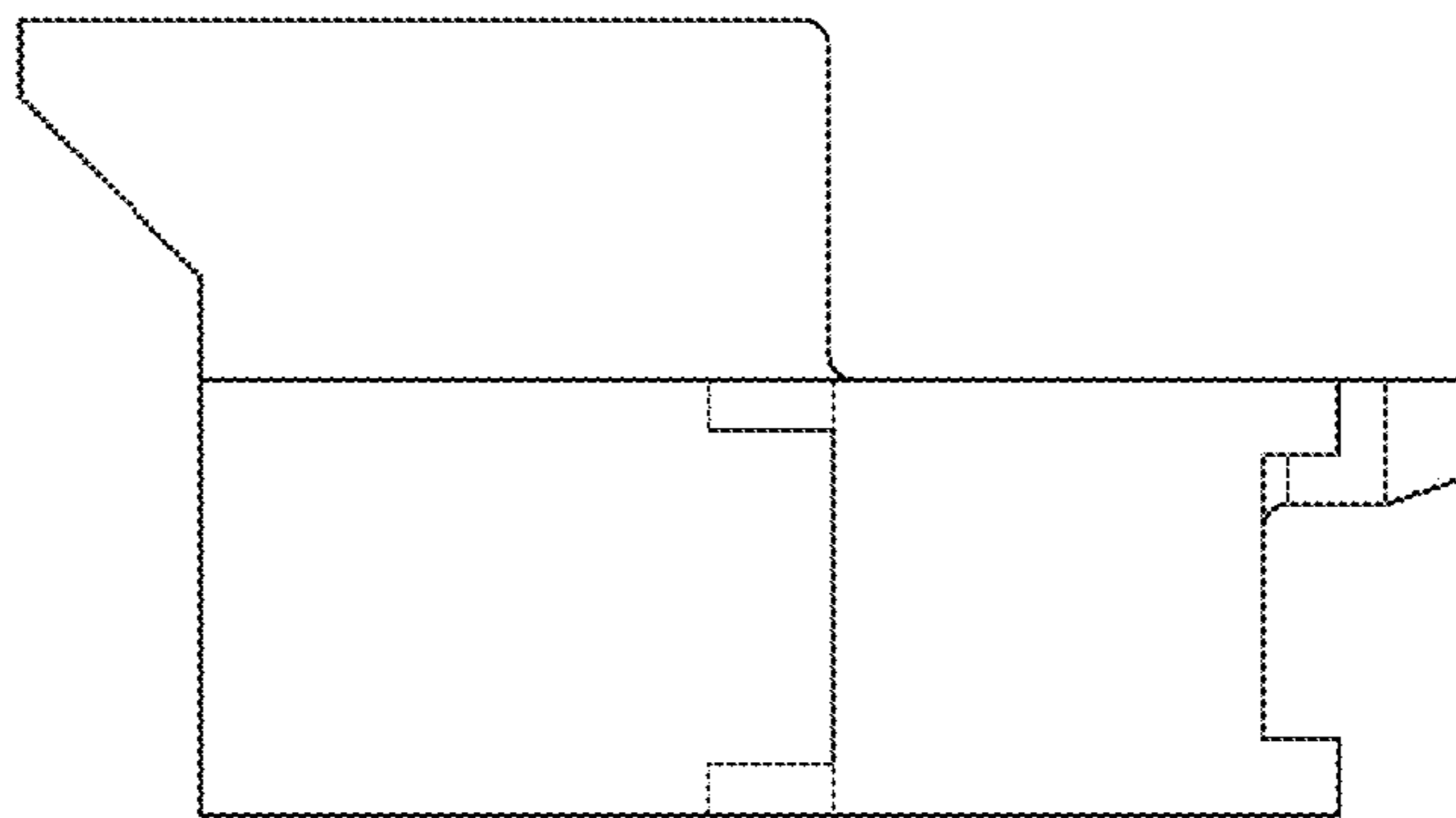


FIG. 12

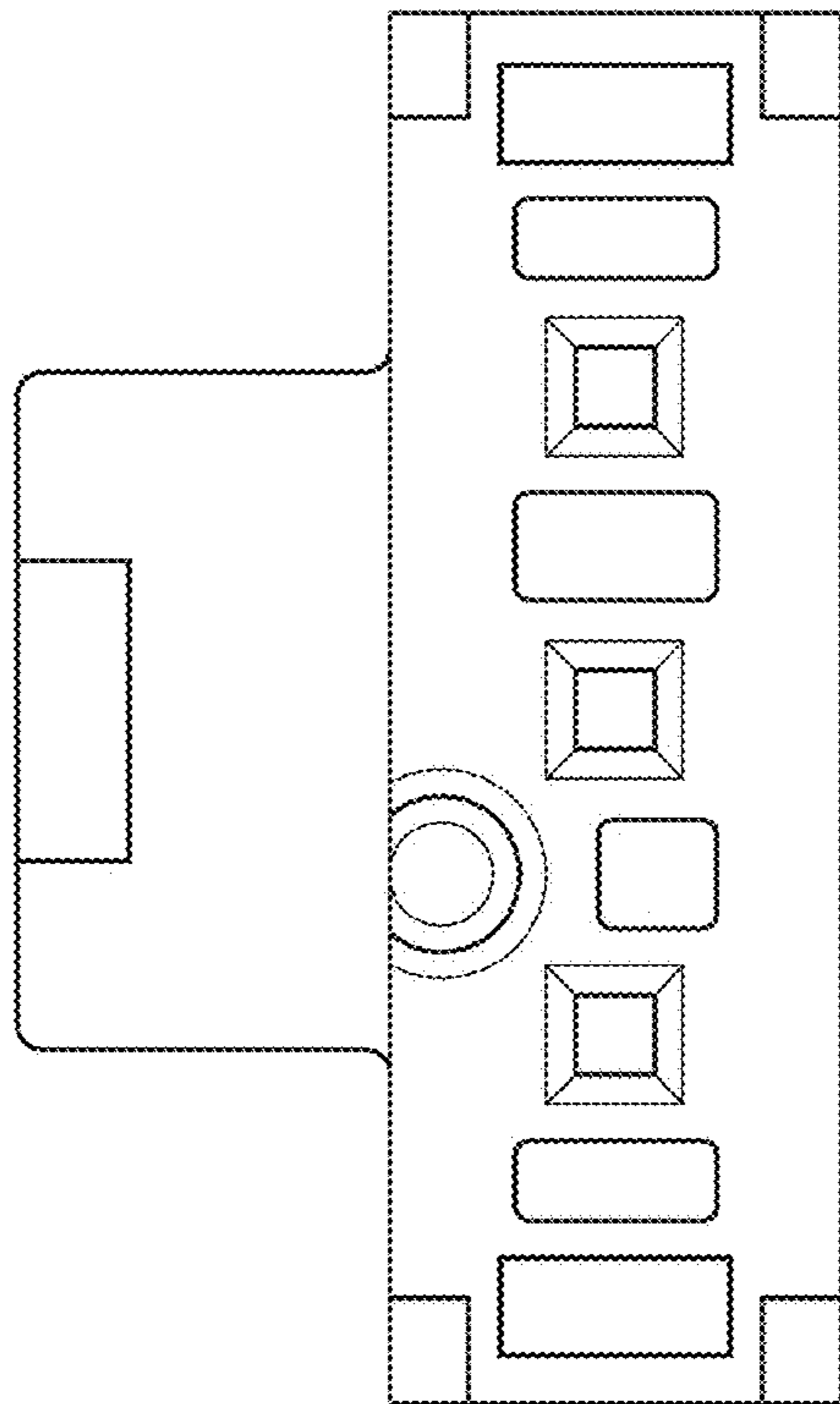


FIG. 13

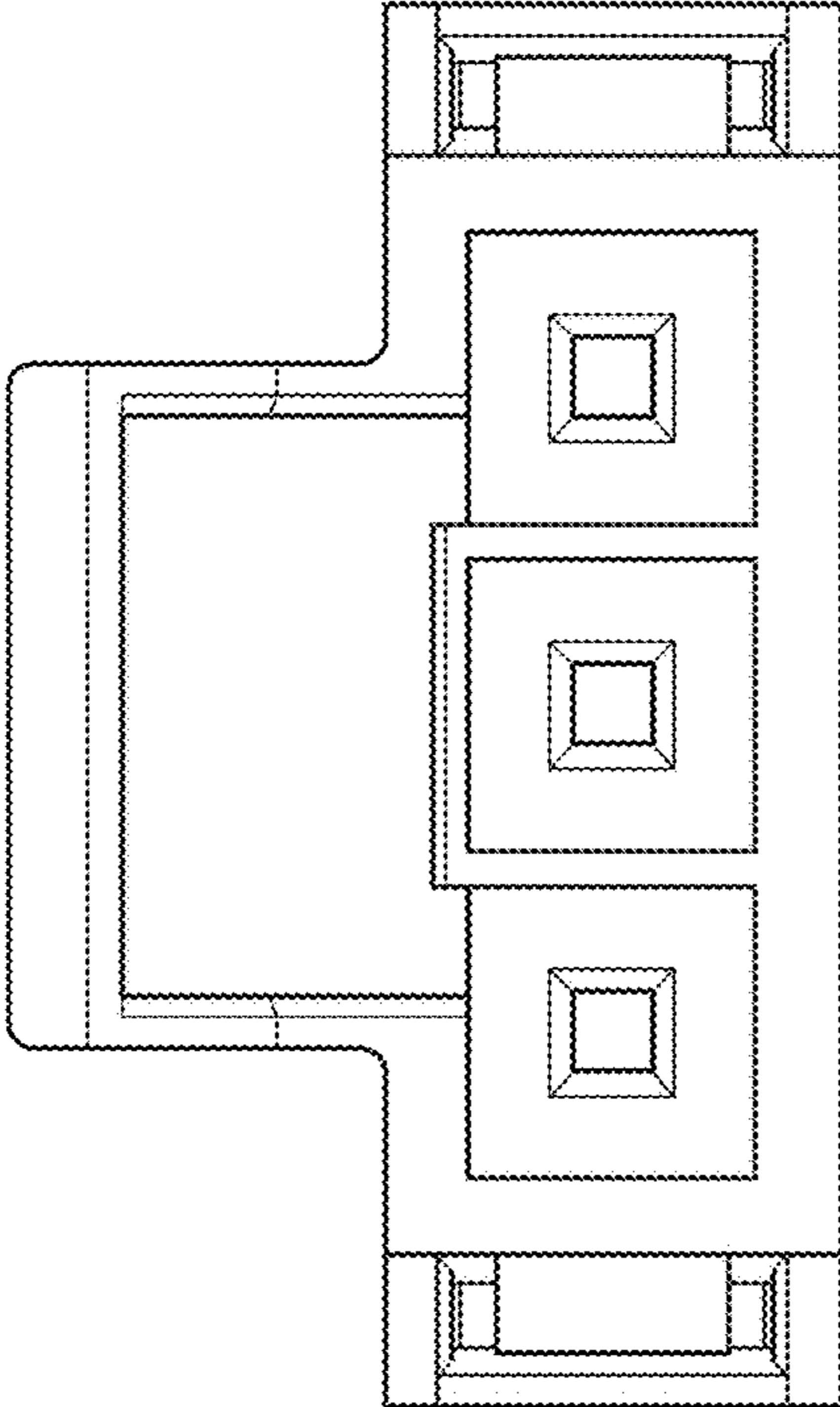


FIG. 14



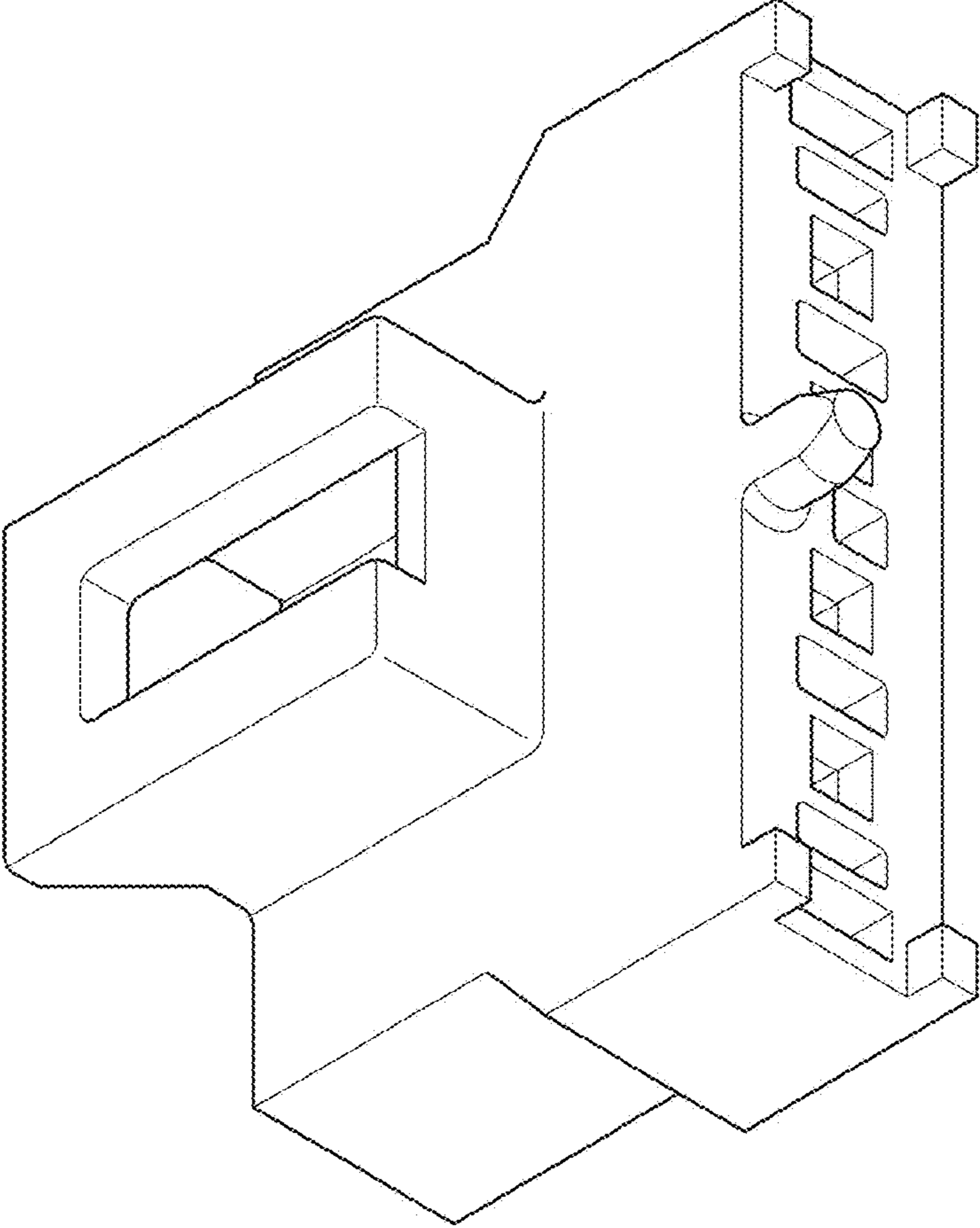


FIG. 15

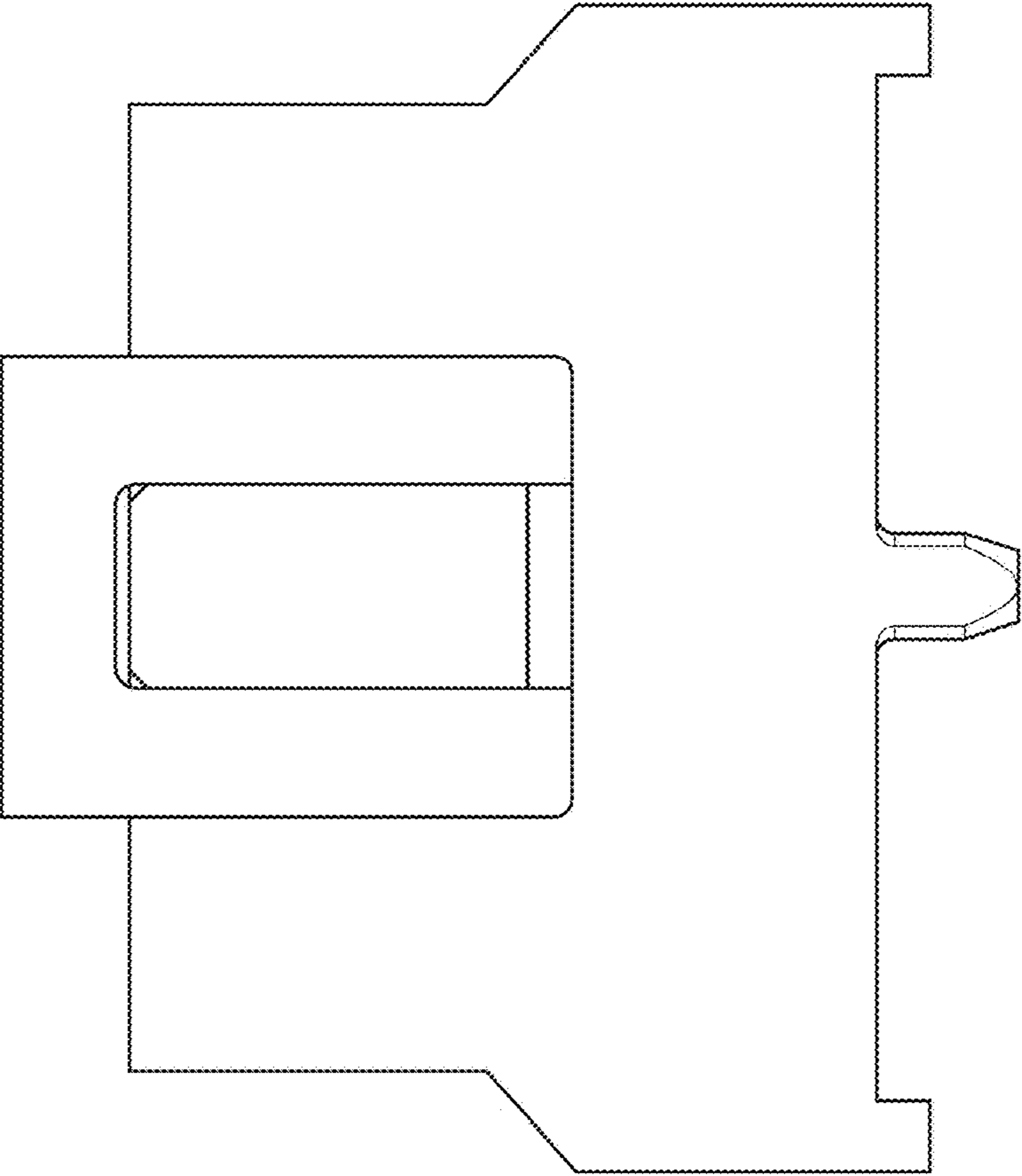


FIG. 16

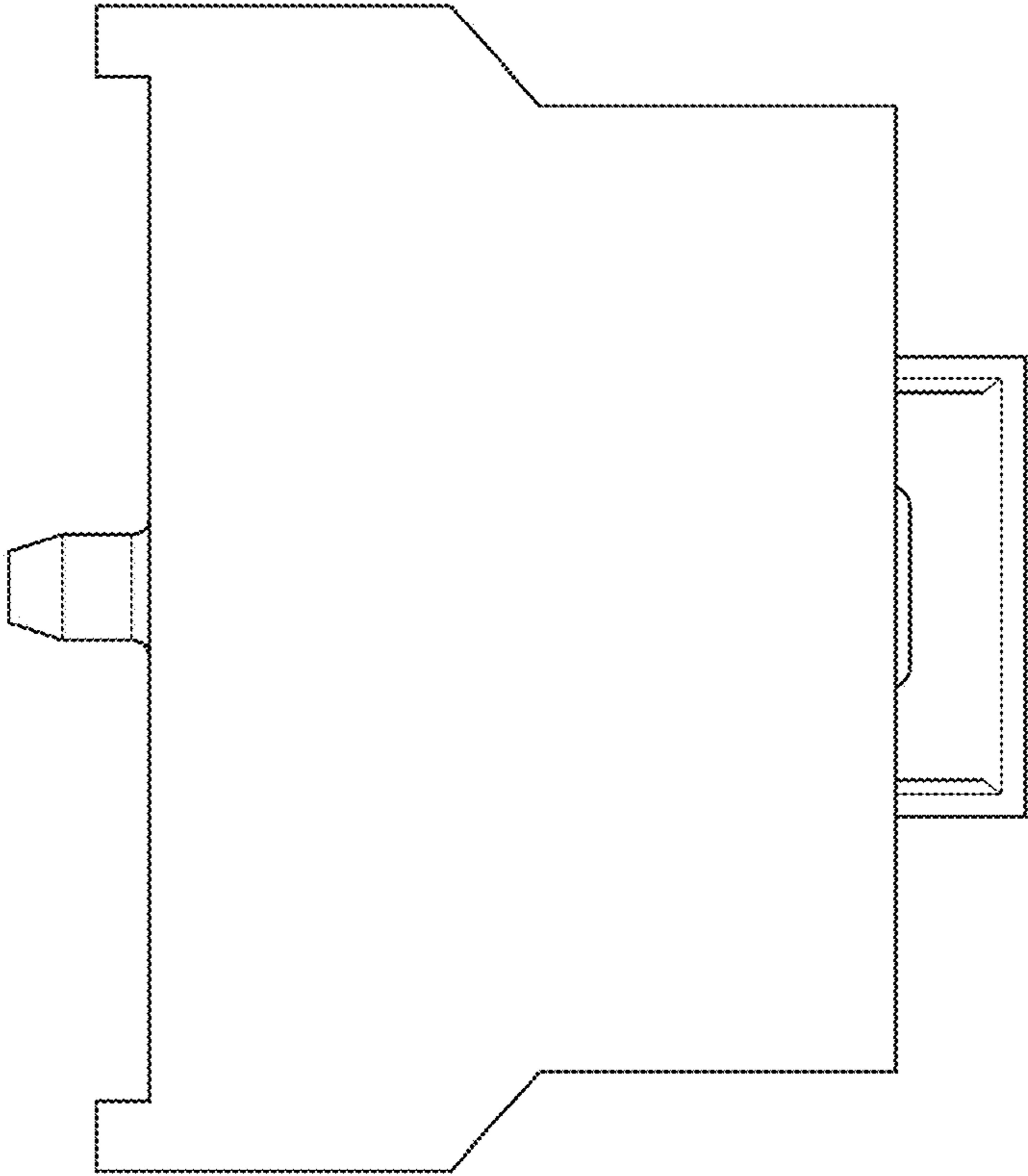


FIG. 17

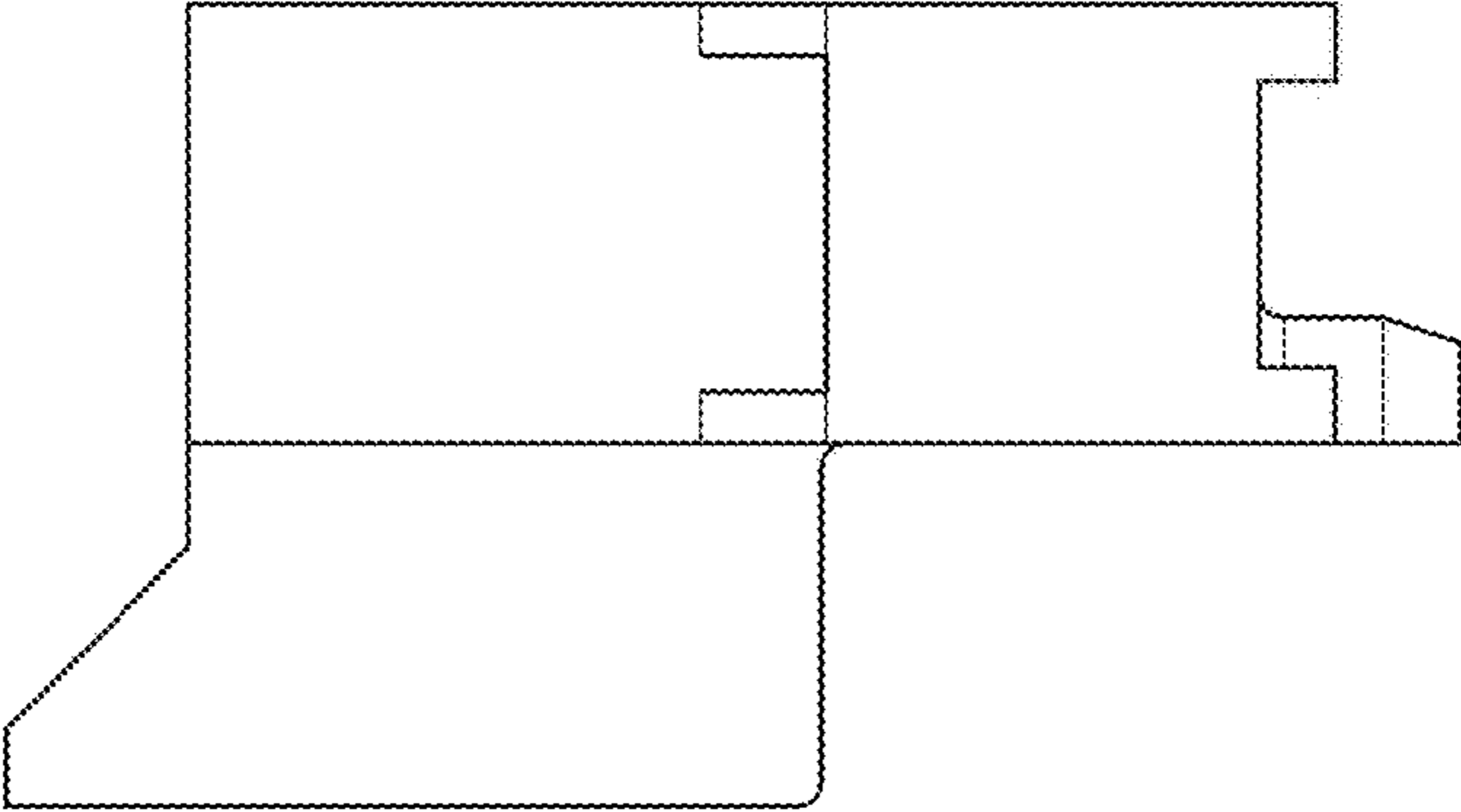


FIG. 18

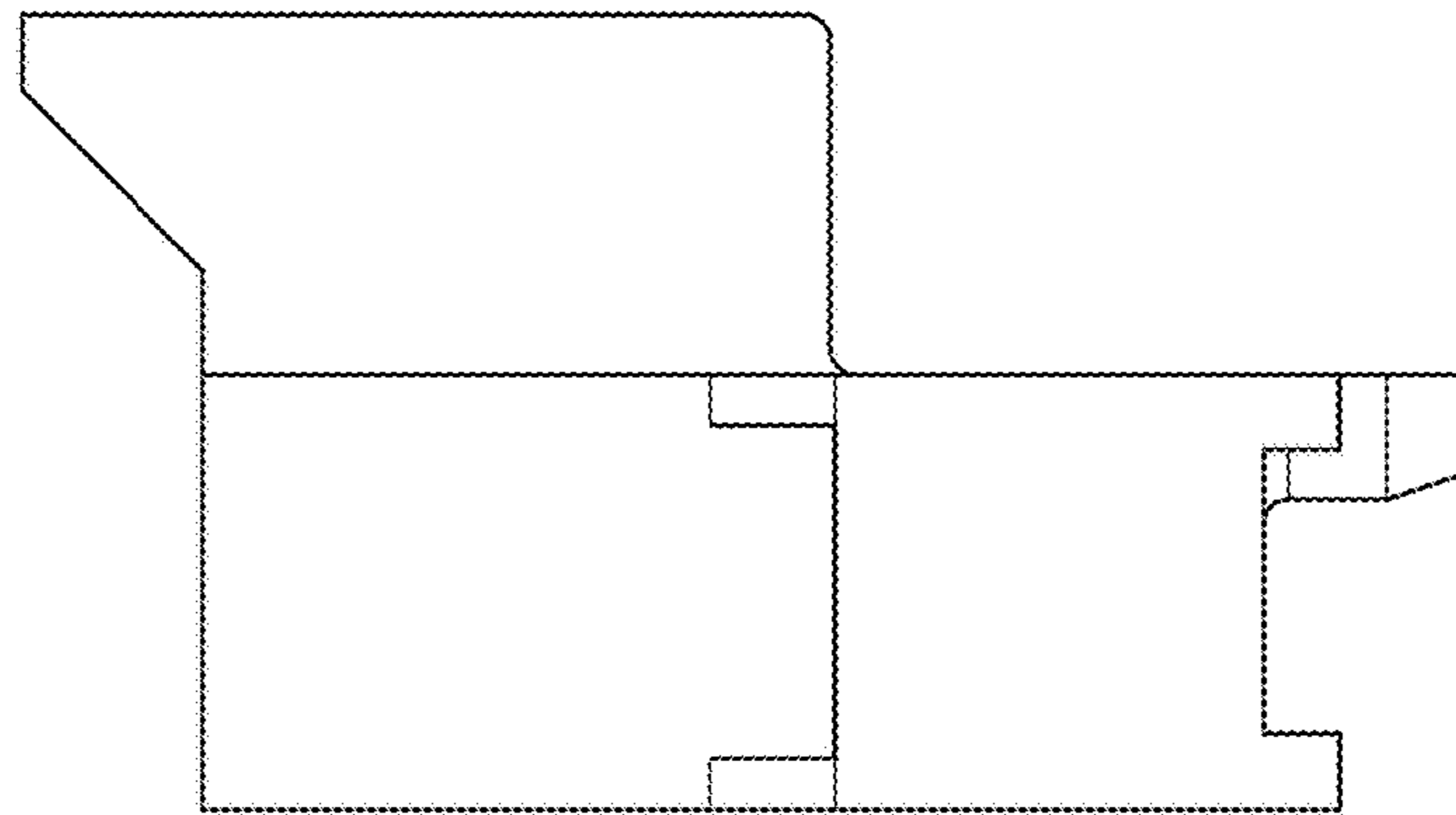


FIG. 19

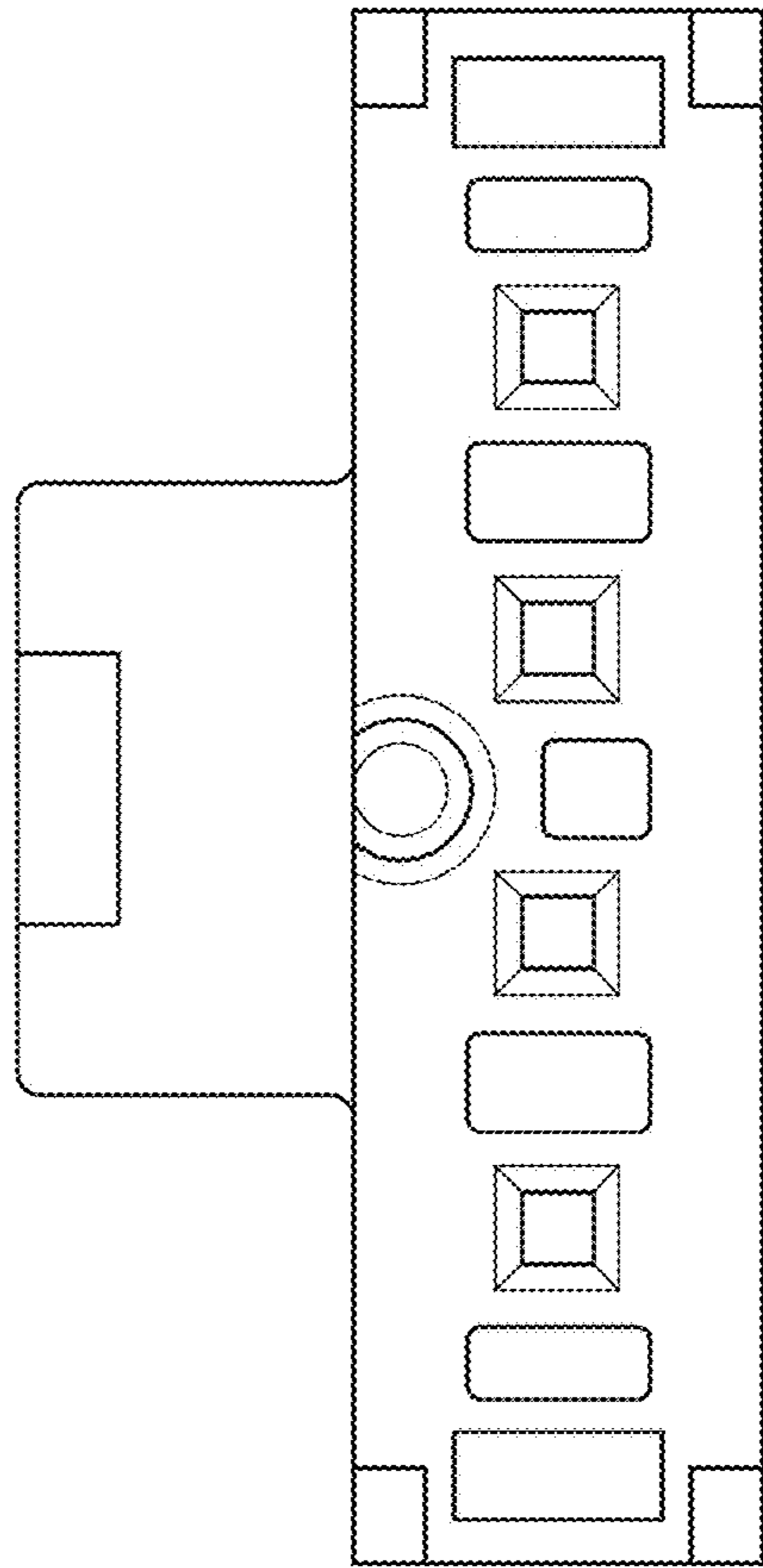


FIG. 20

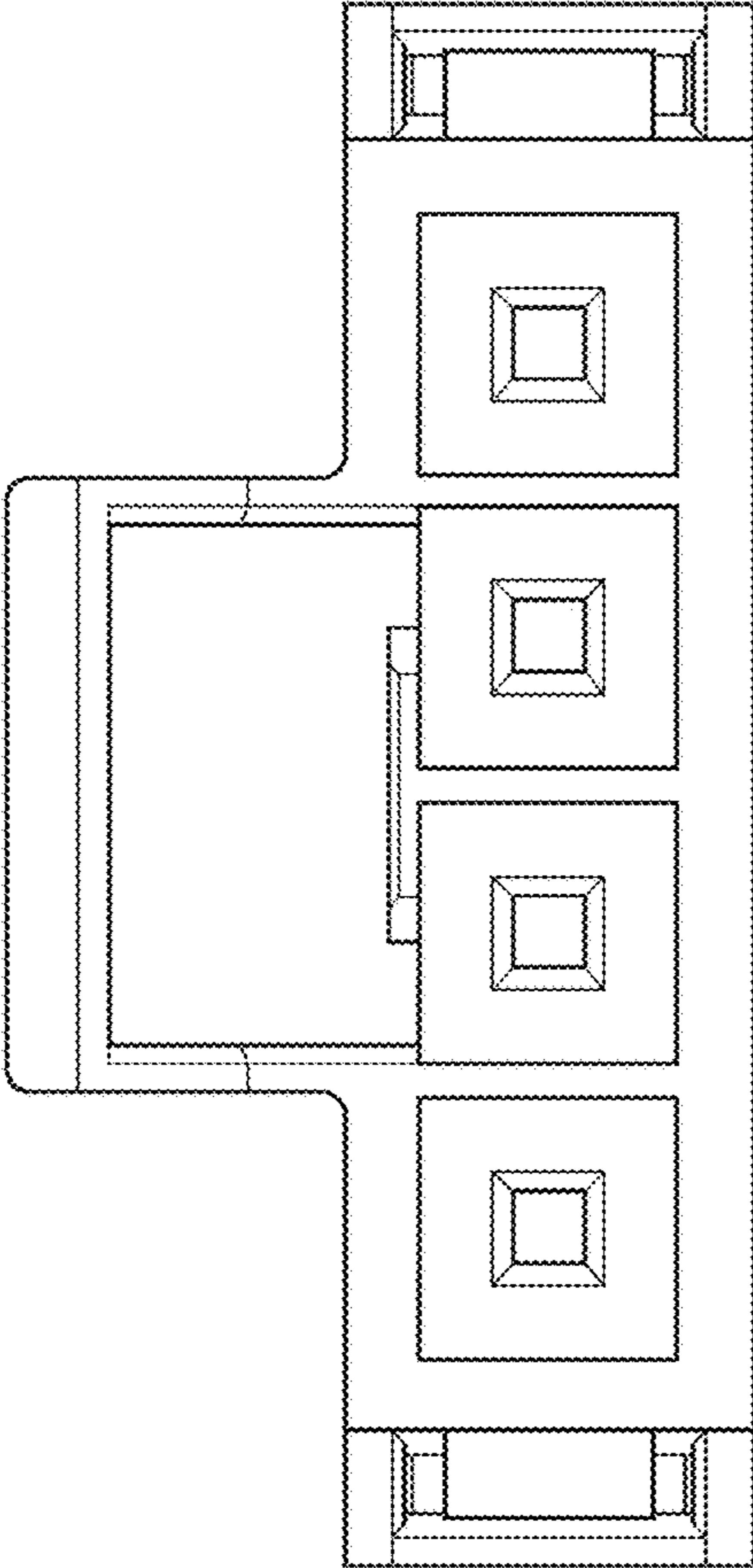


FIG. 21

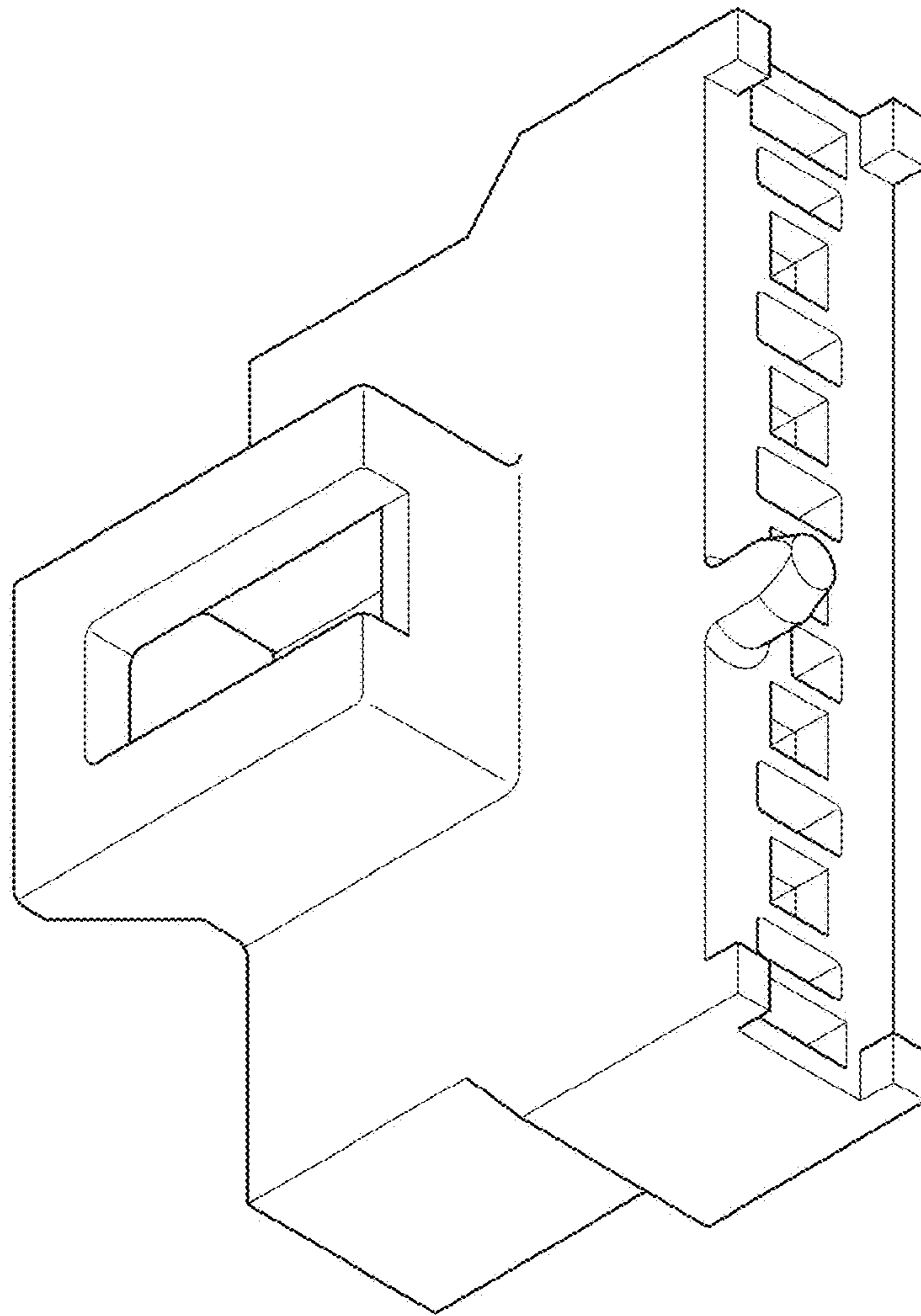


FIG. 22



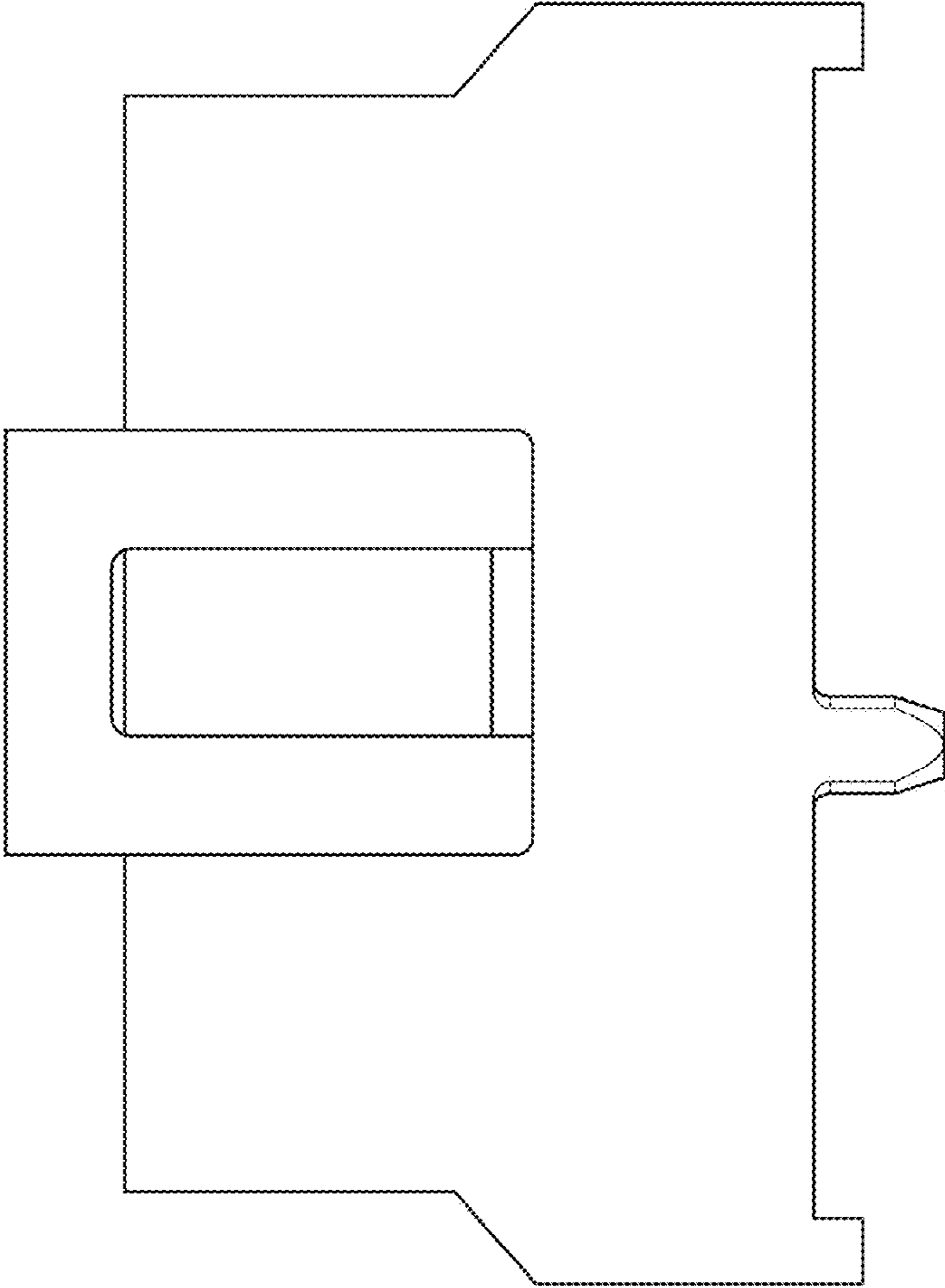


FIG. 23

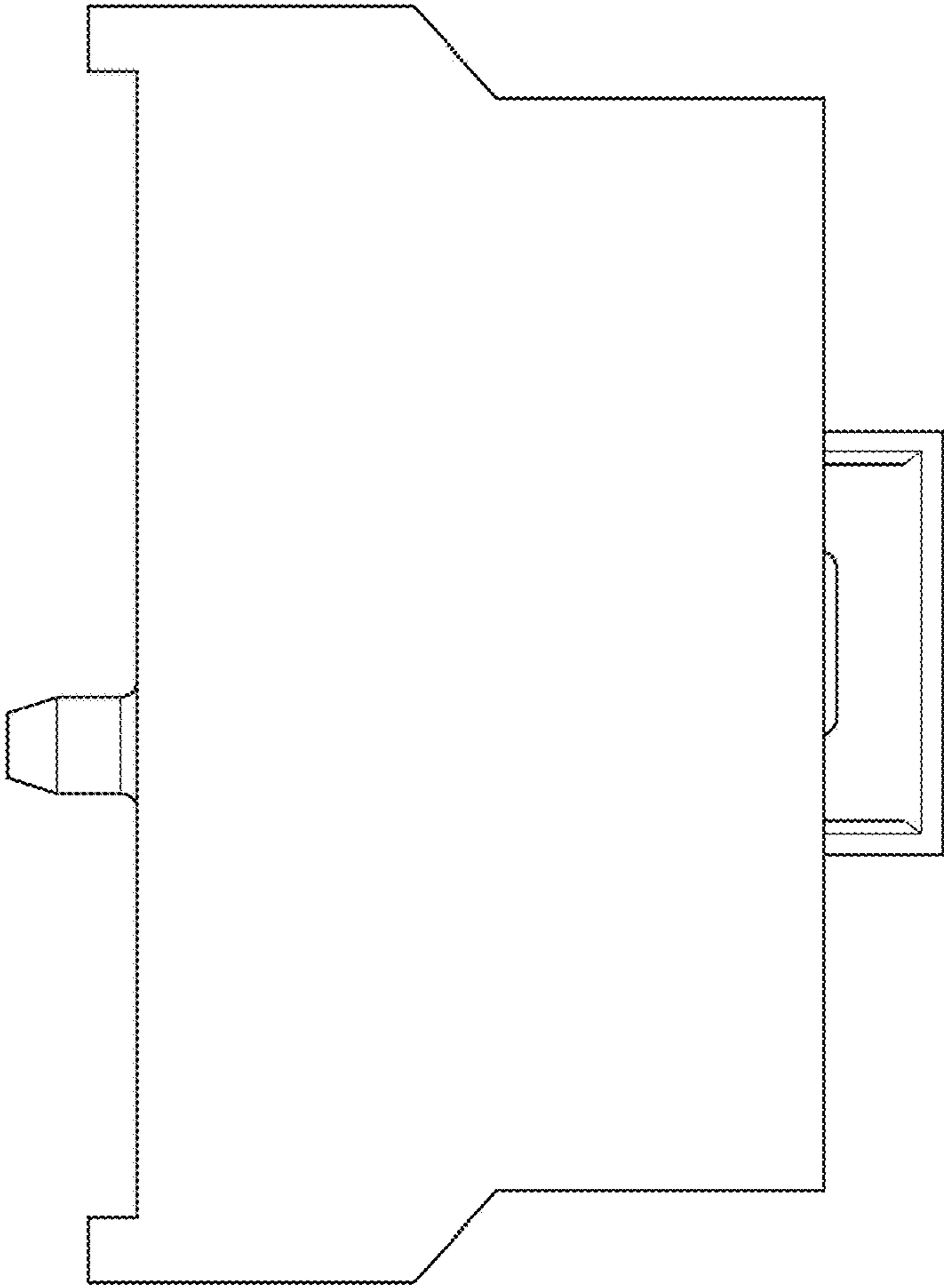


FIG. 24

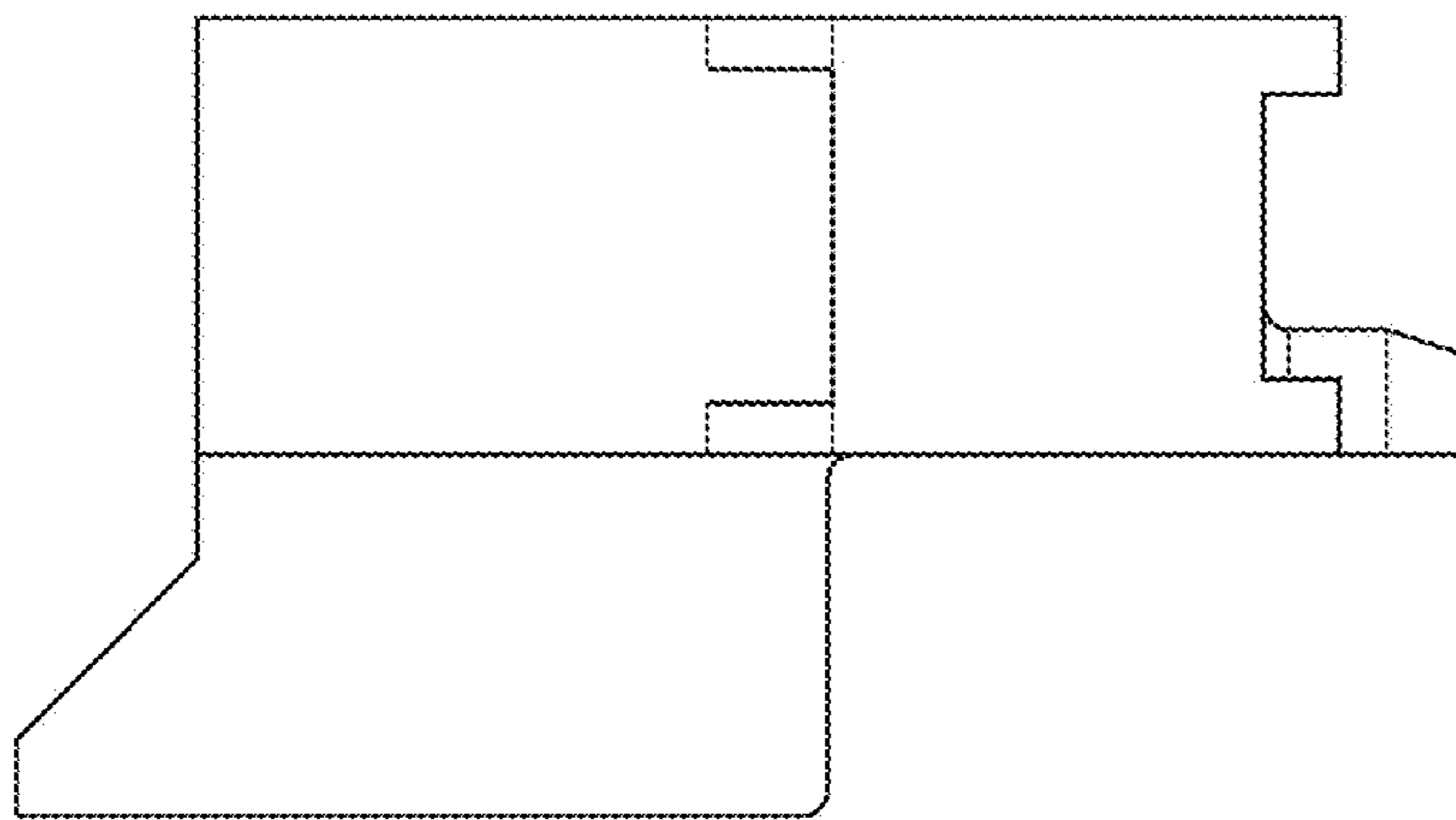


FIG. 25

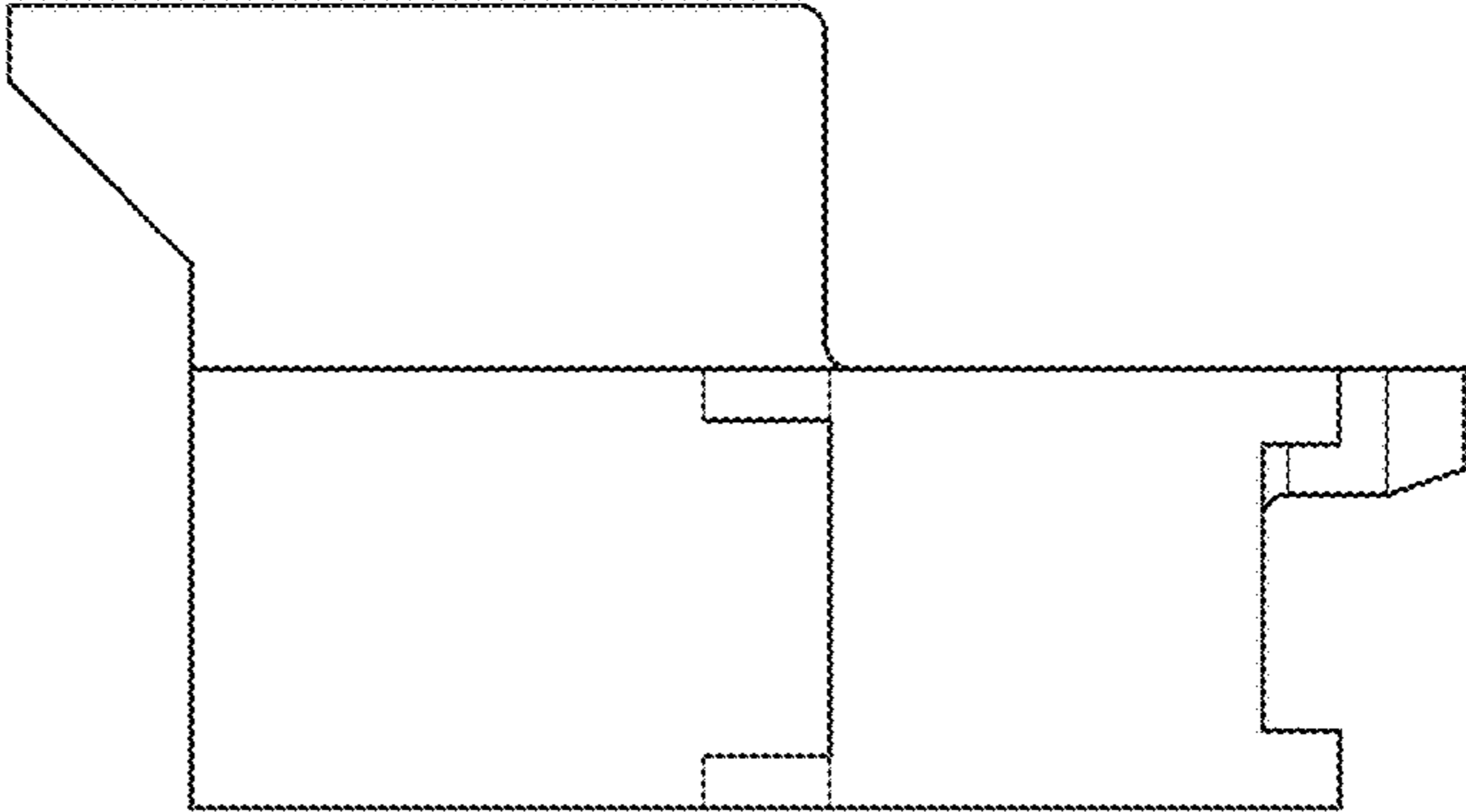


FIG. 26

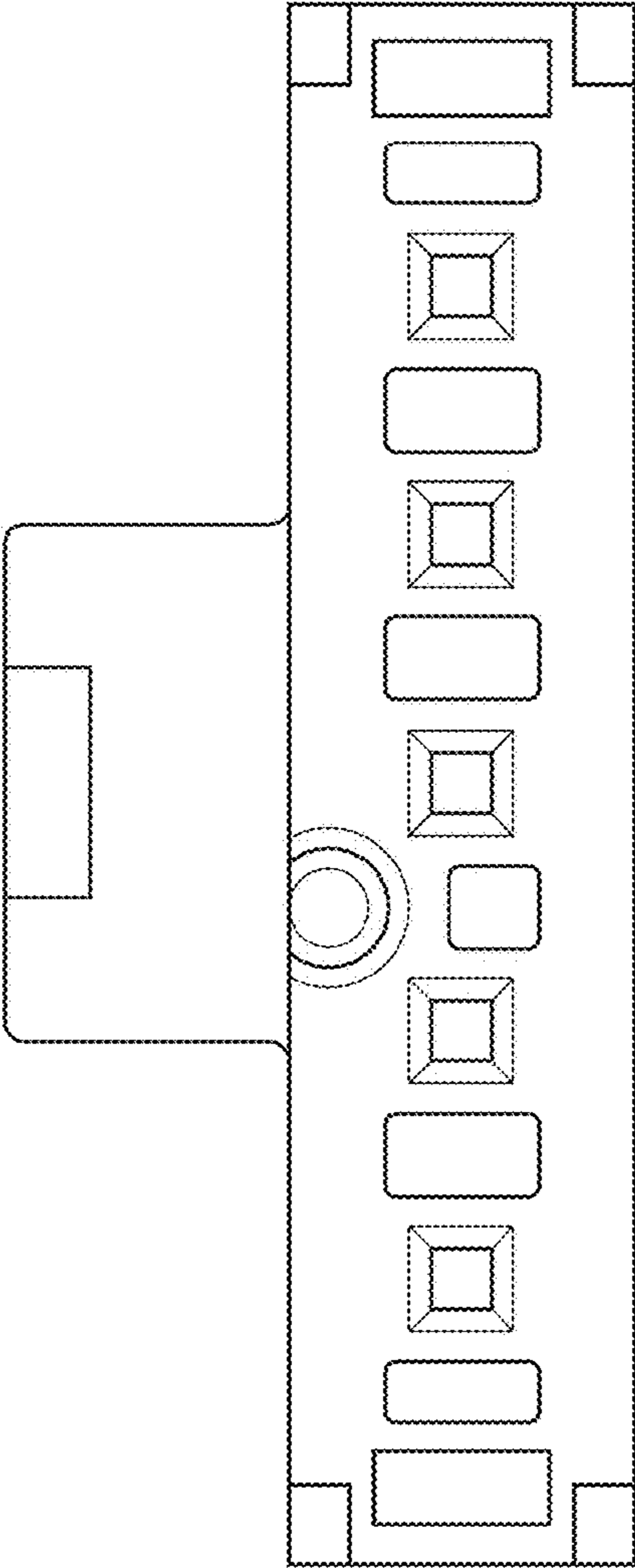


FIG. 27

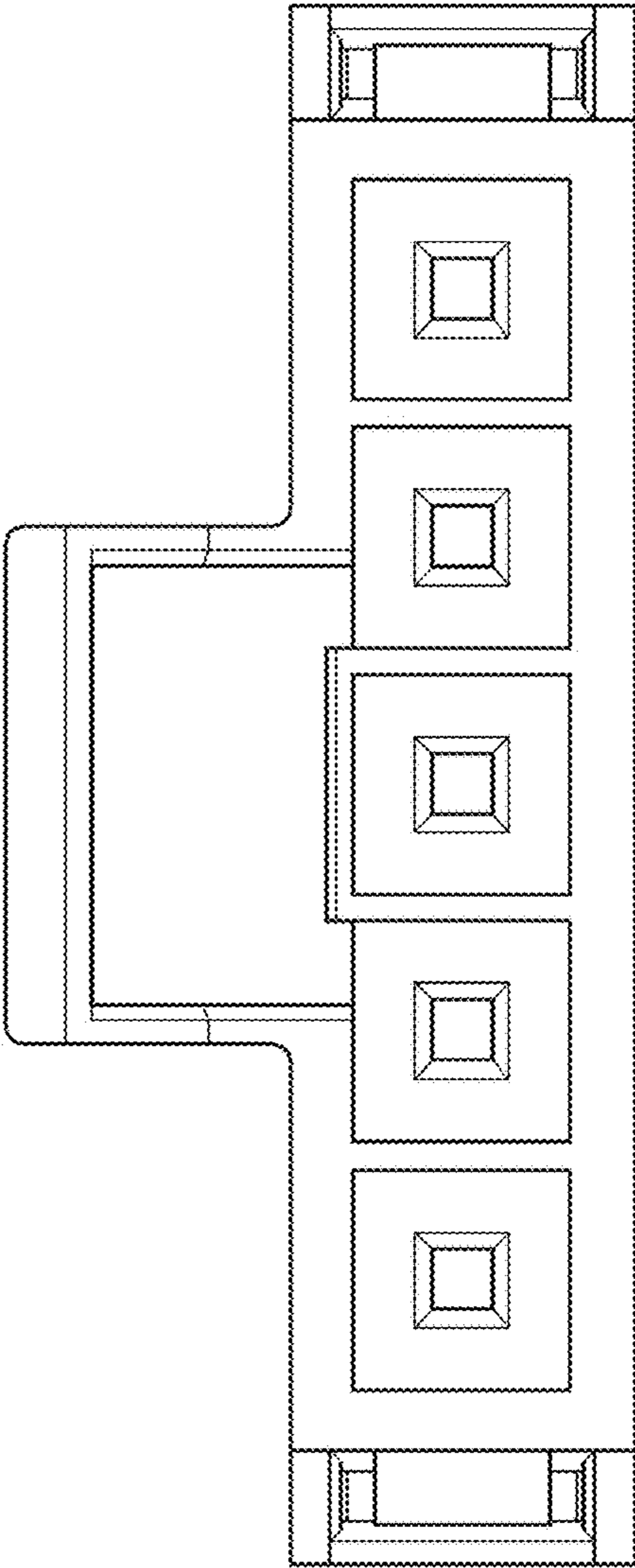


FIG. 28

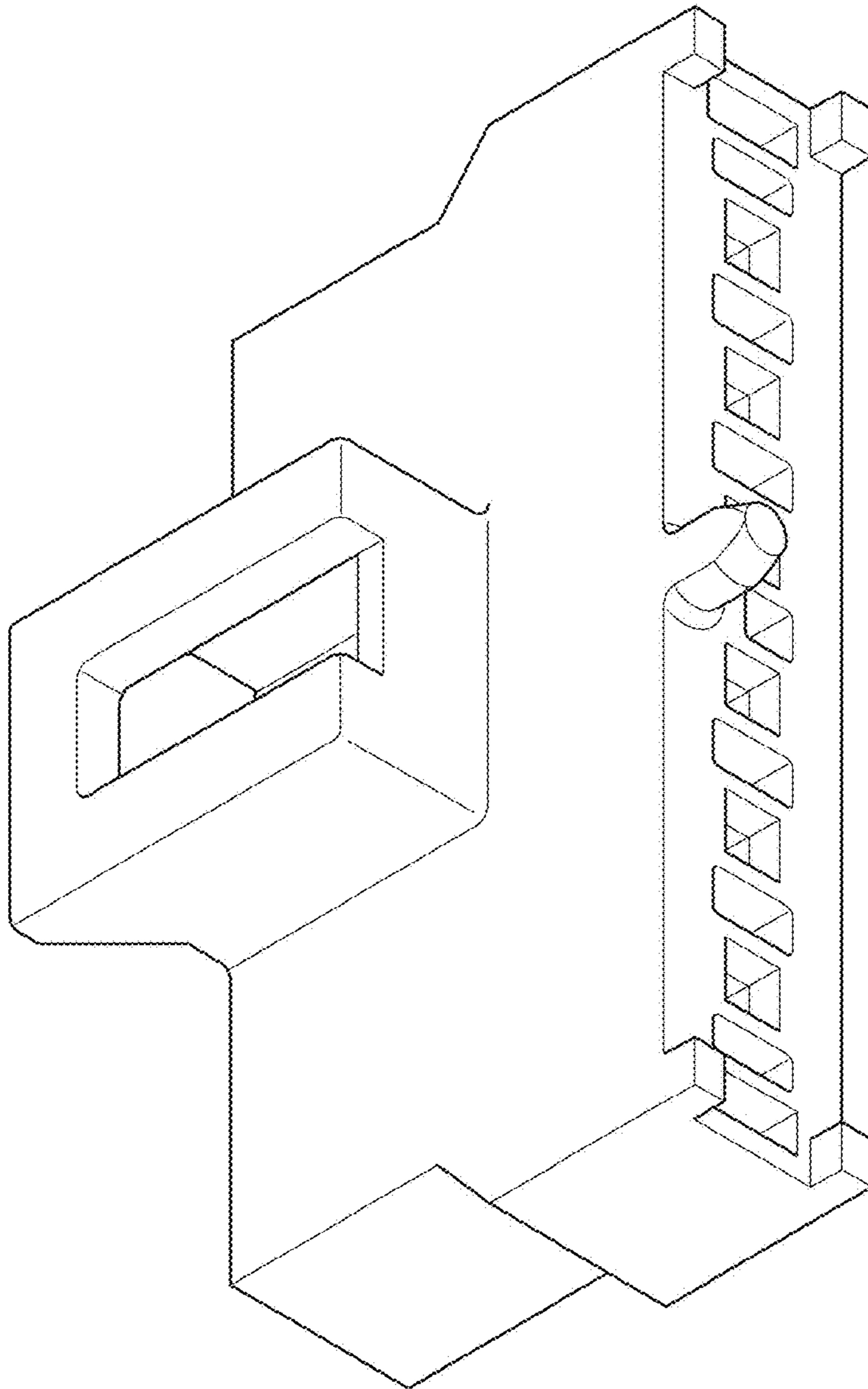


FIG. 29

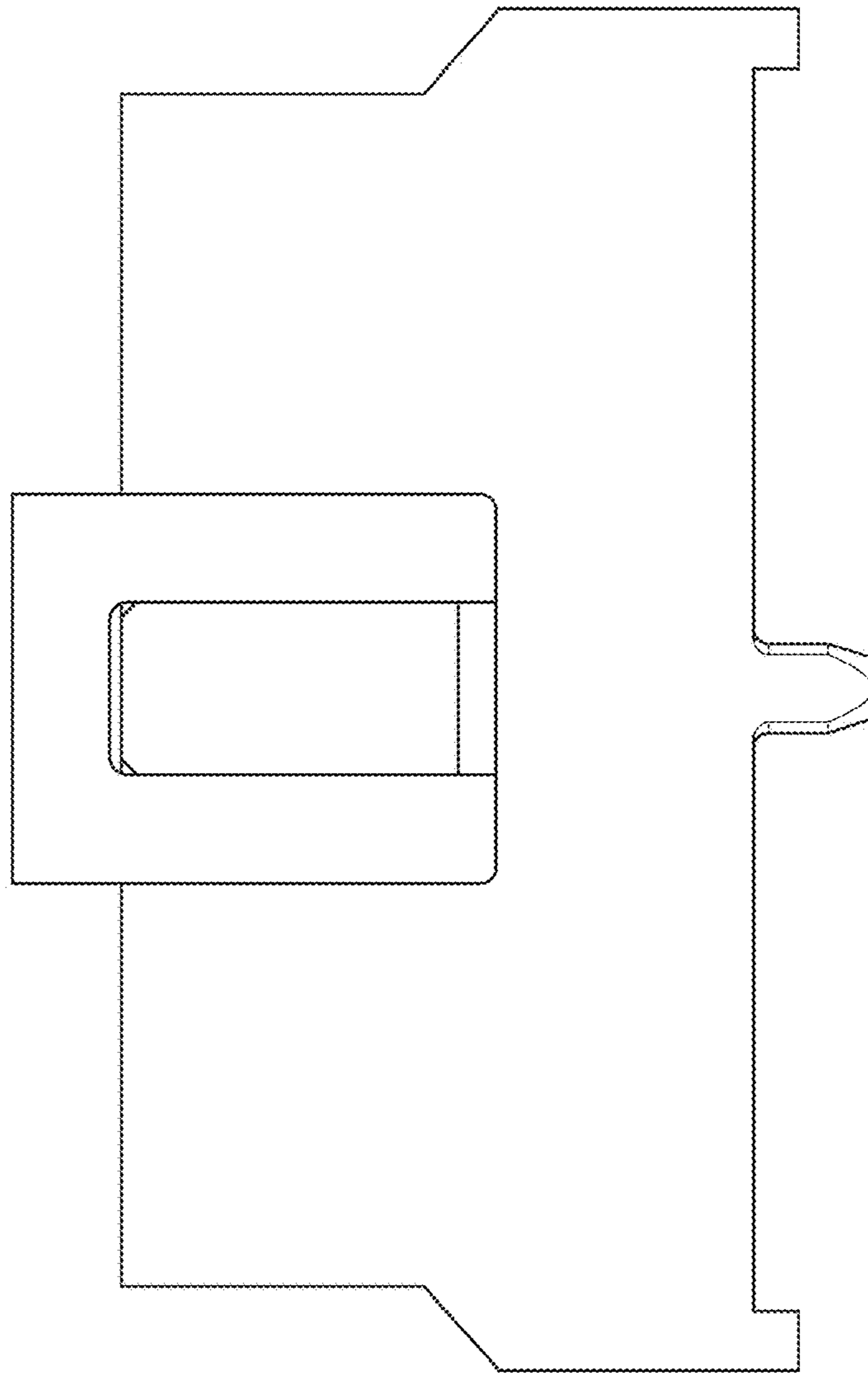


FIG. 30



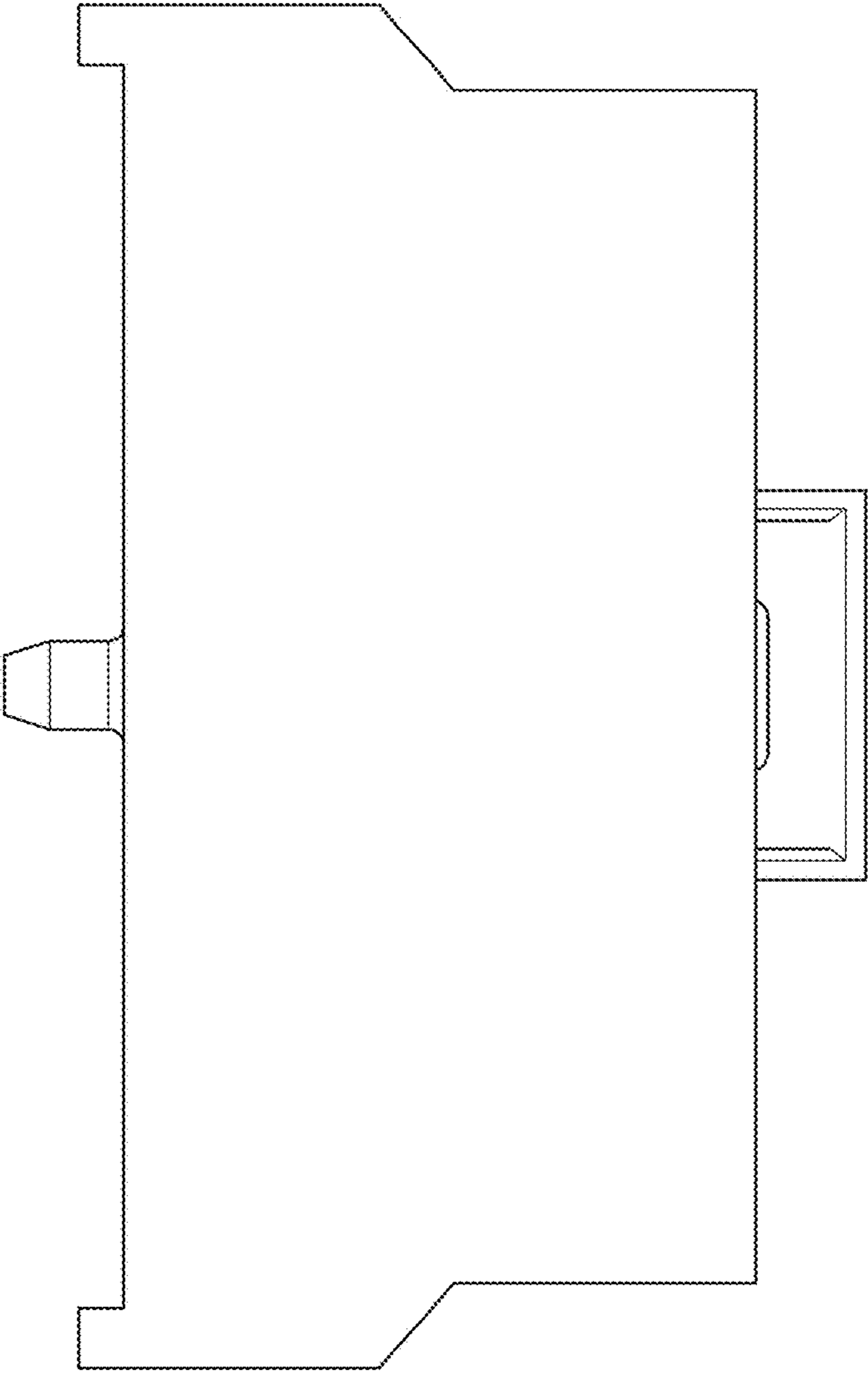


FIG. 31

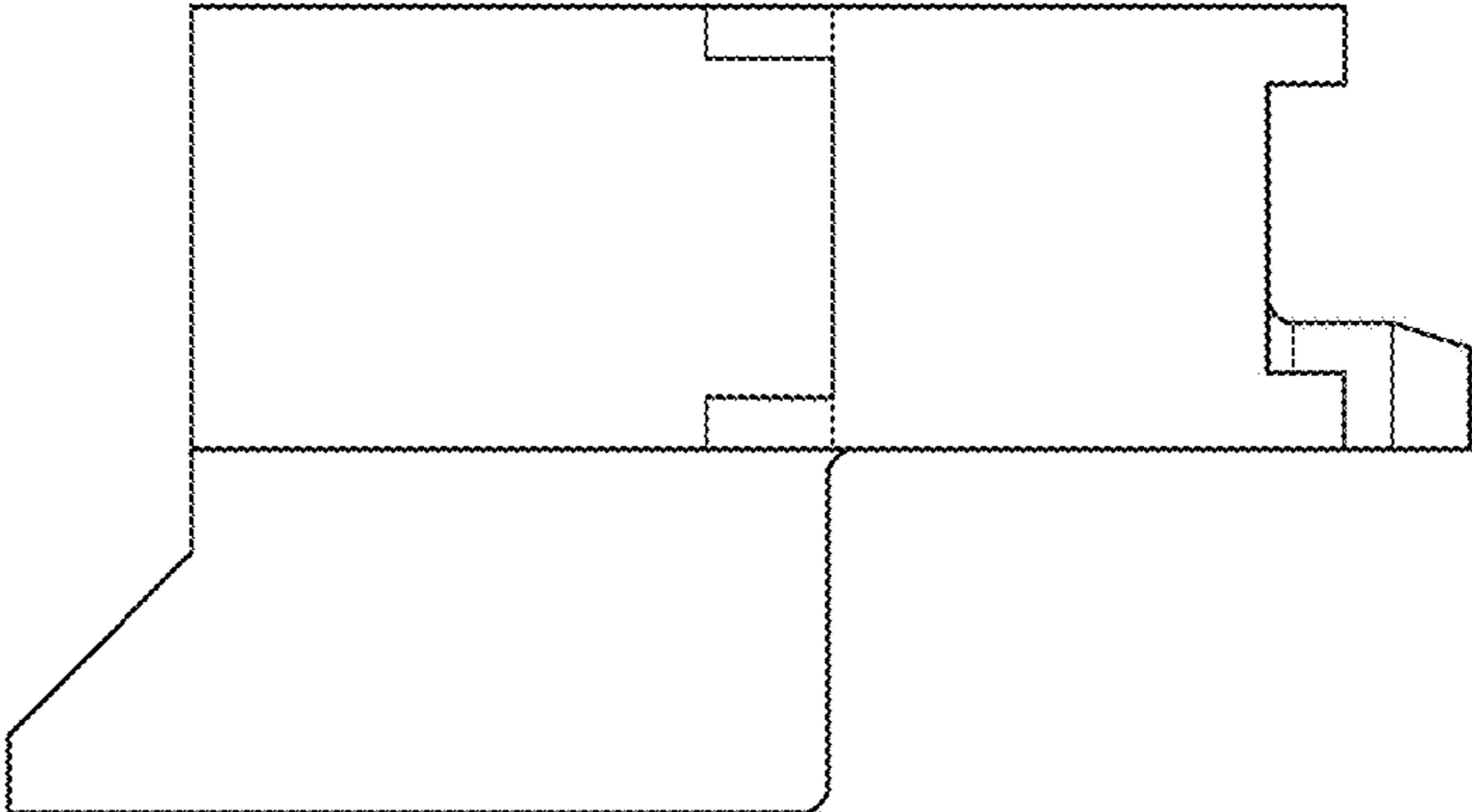


FIG. 32

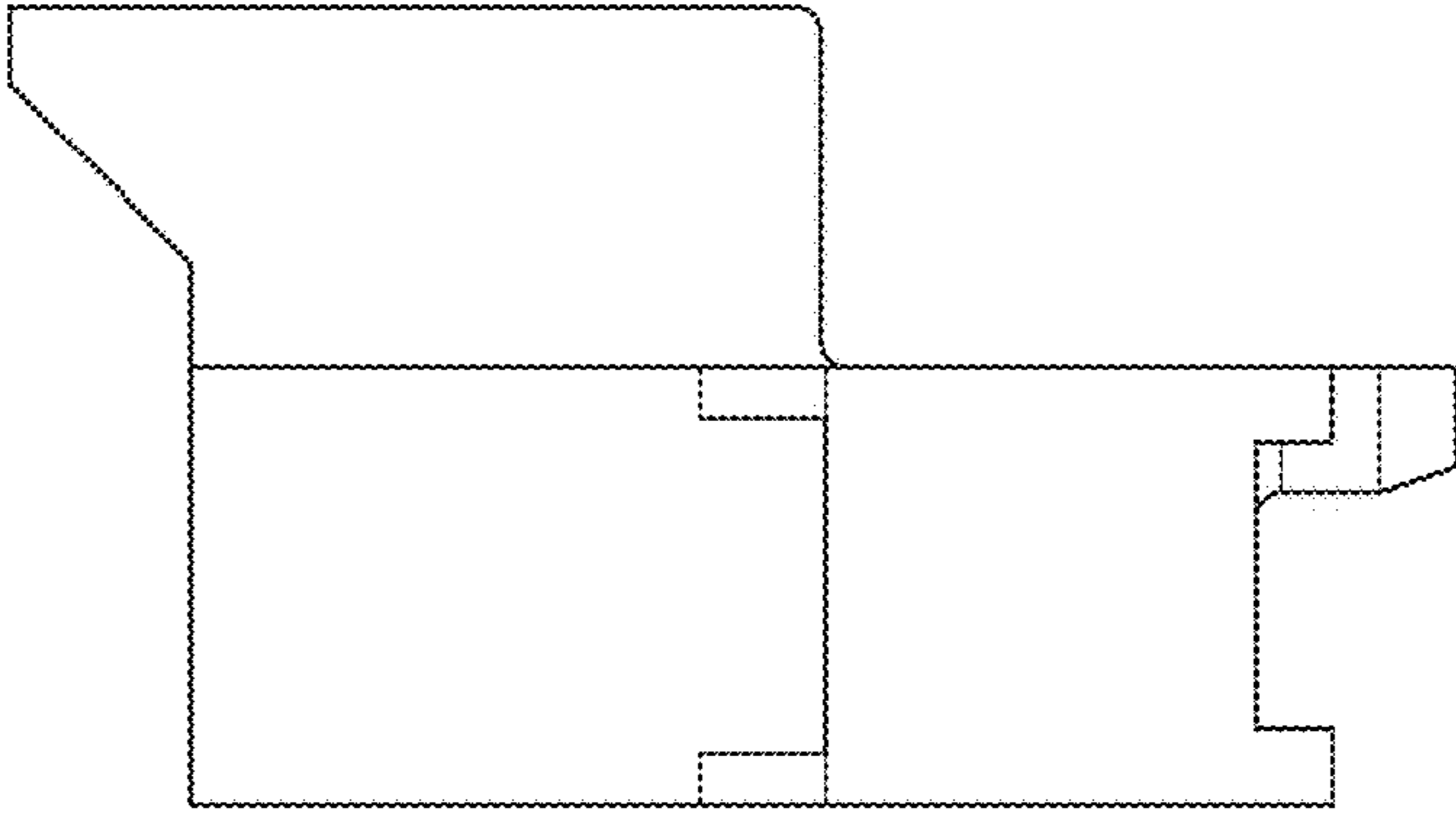


FIG. 33

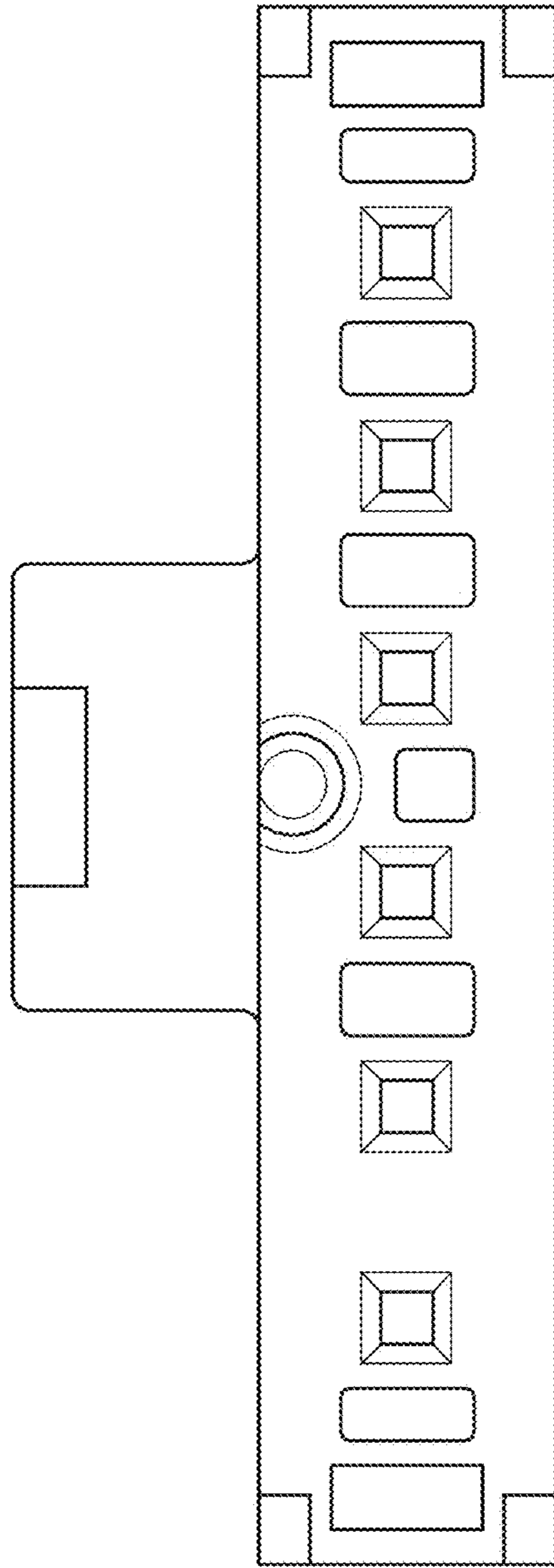


FIG. 34

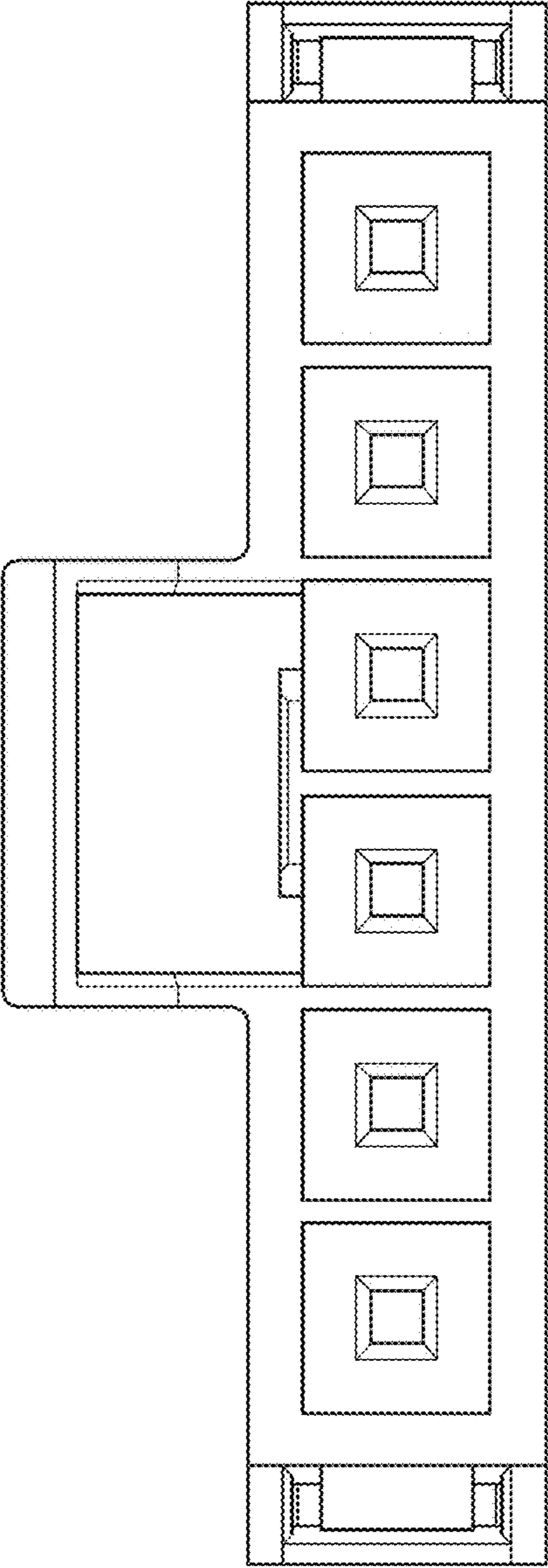


FIG. 35

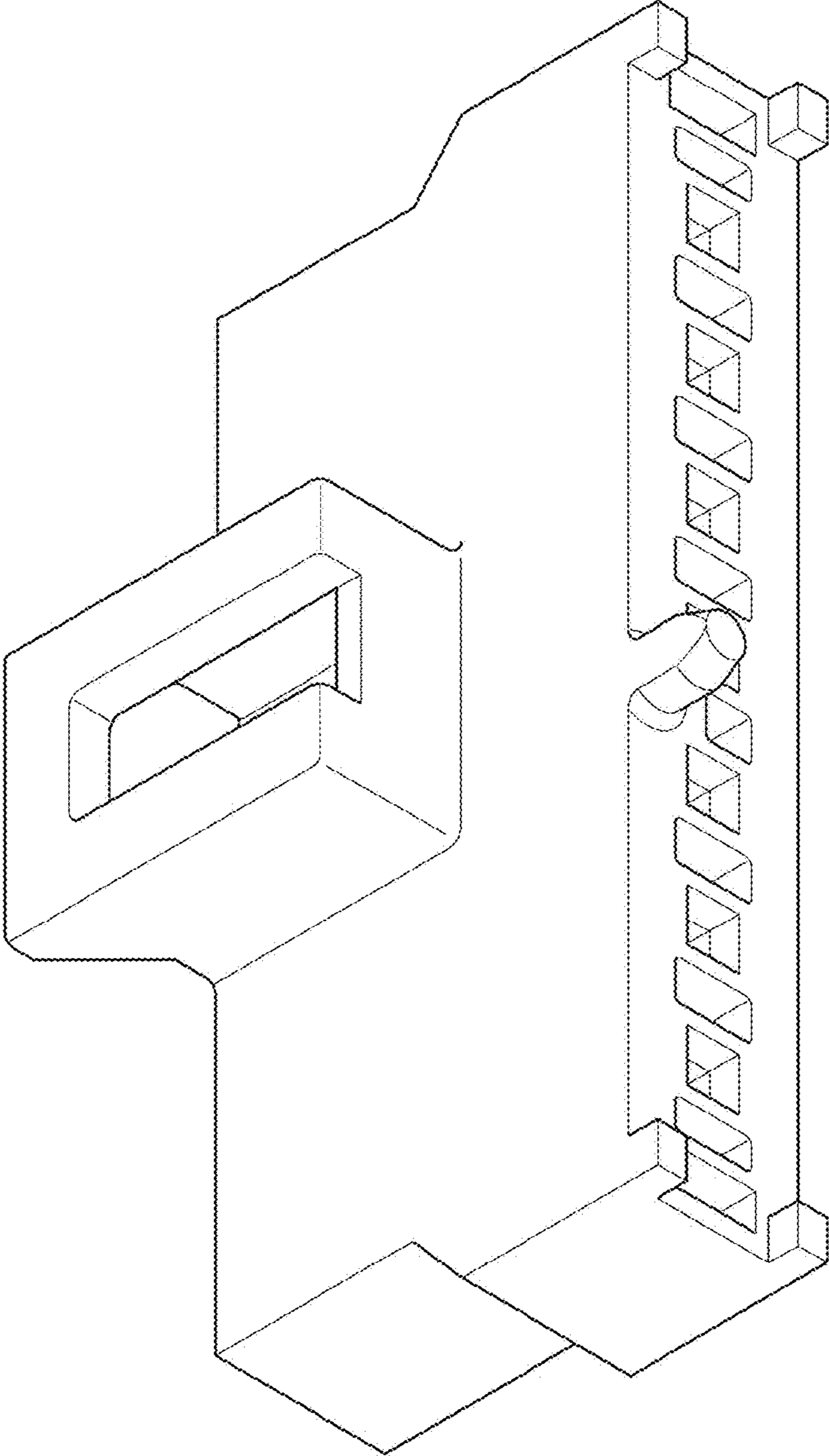


FIG. 36

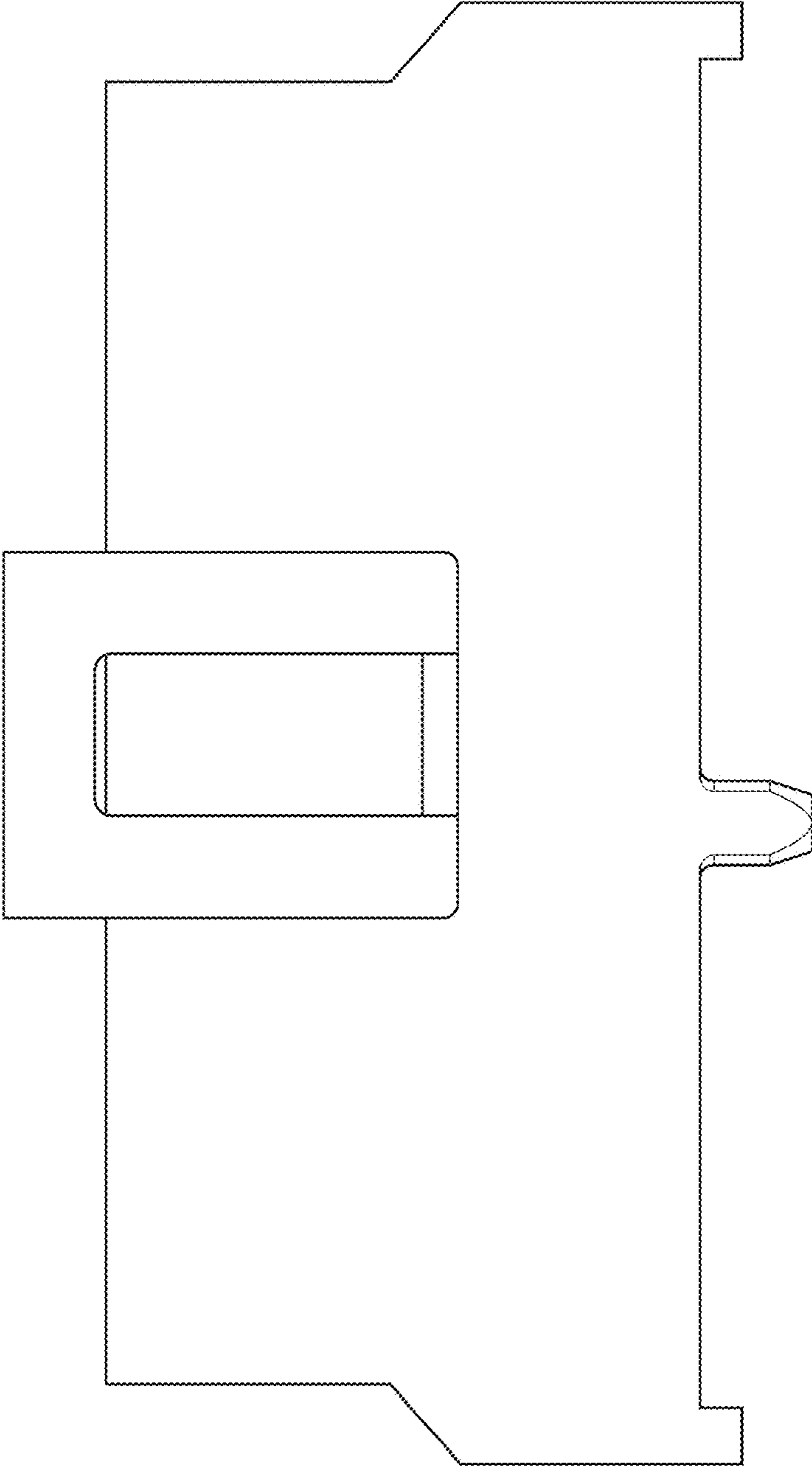


FIG. 37

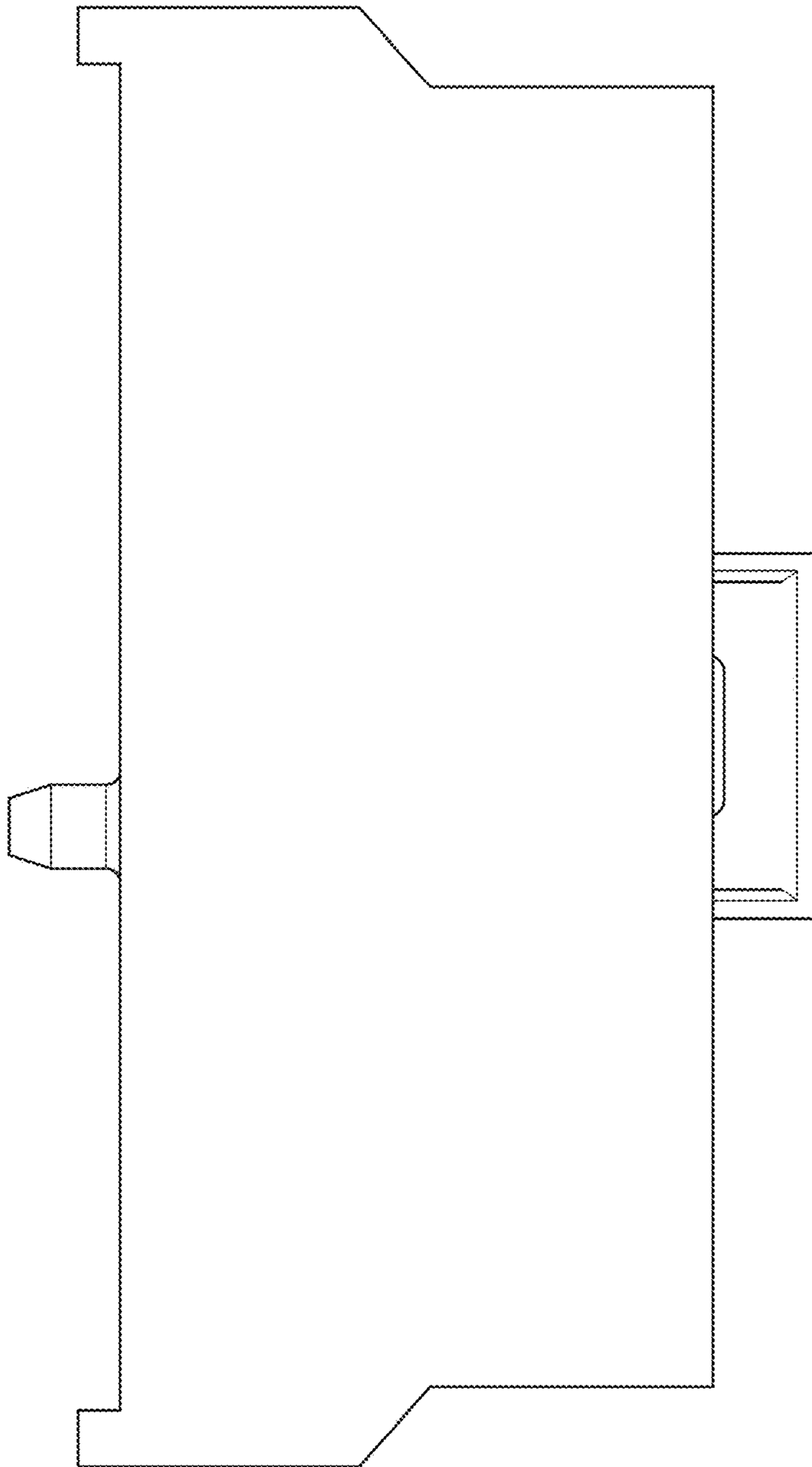


FIG. 38



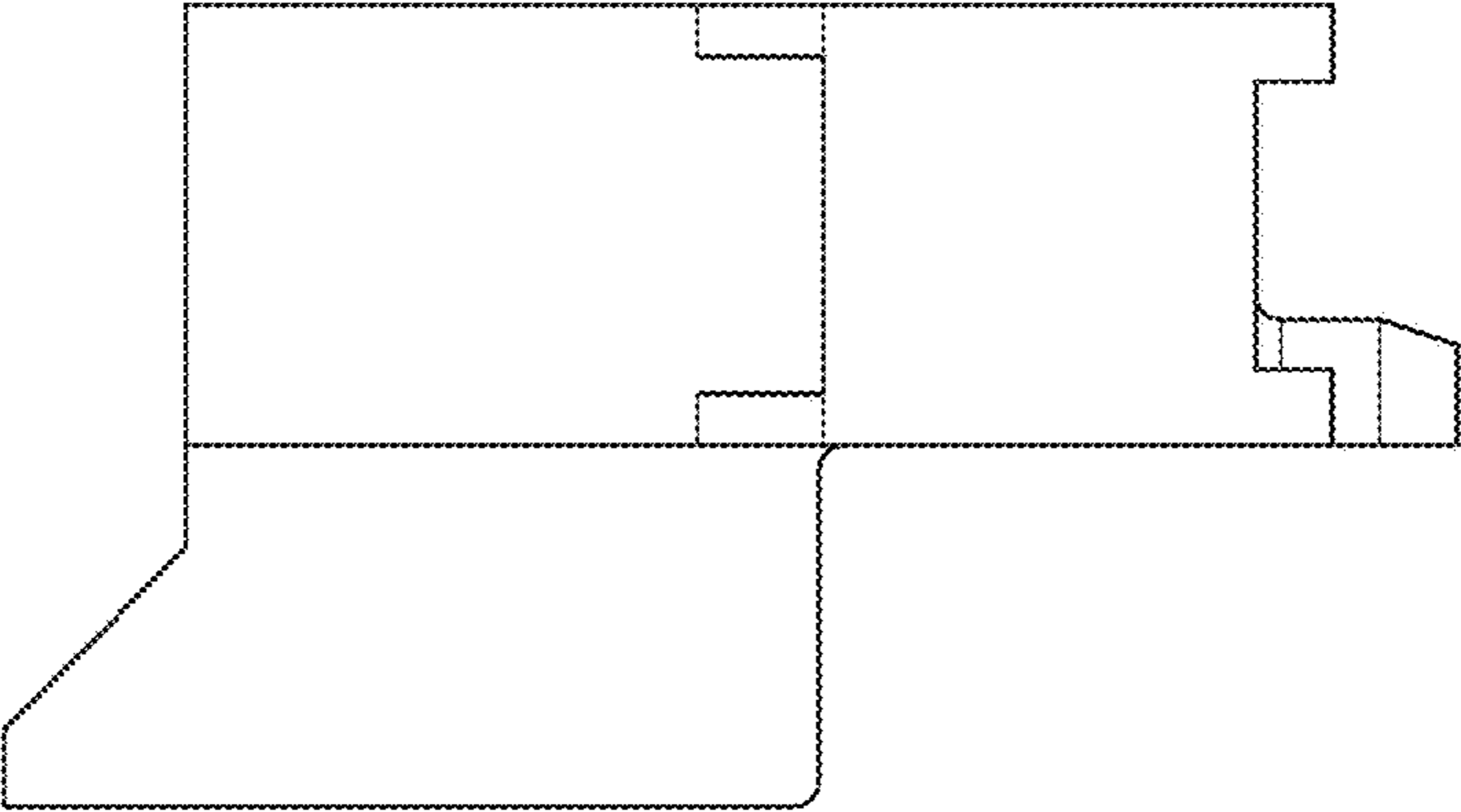


FIG. 39

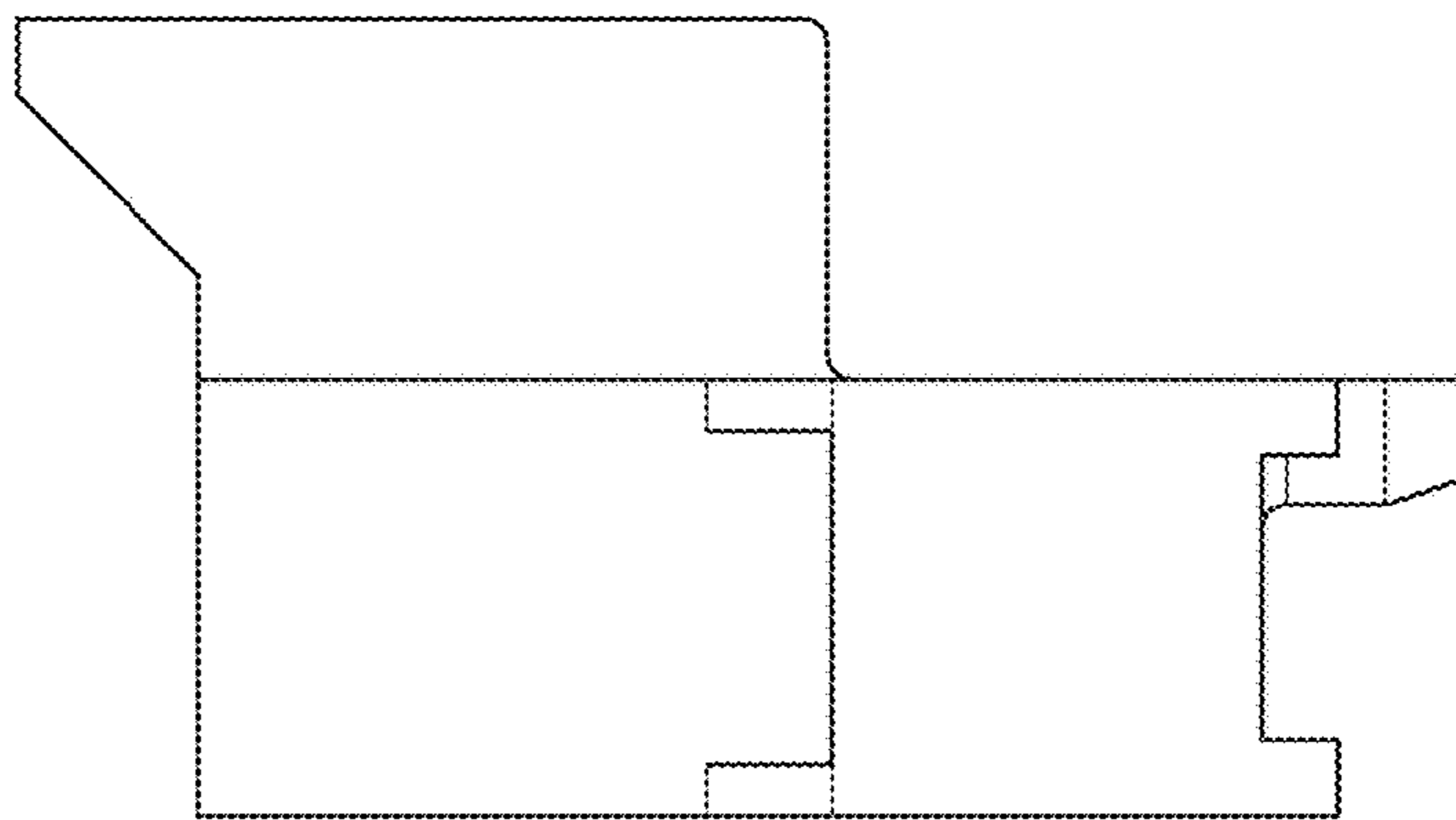


FIG. 40

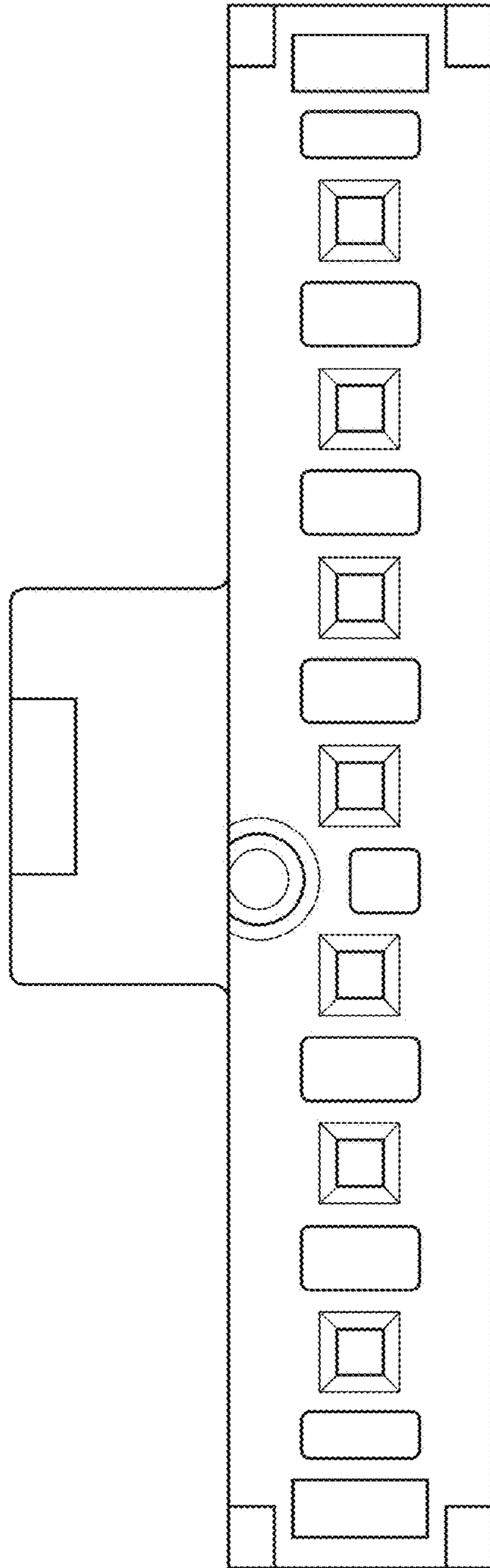


FIG. 41

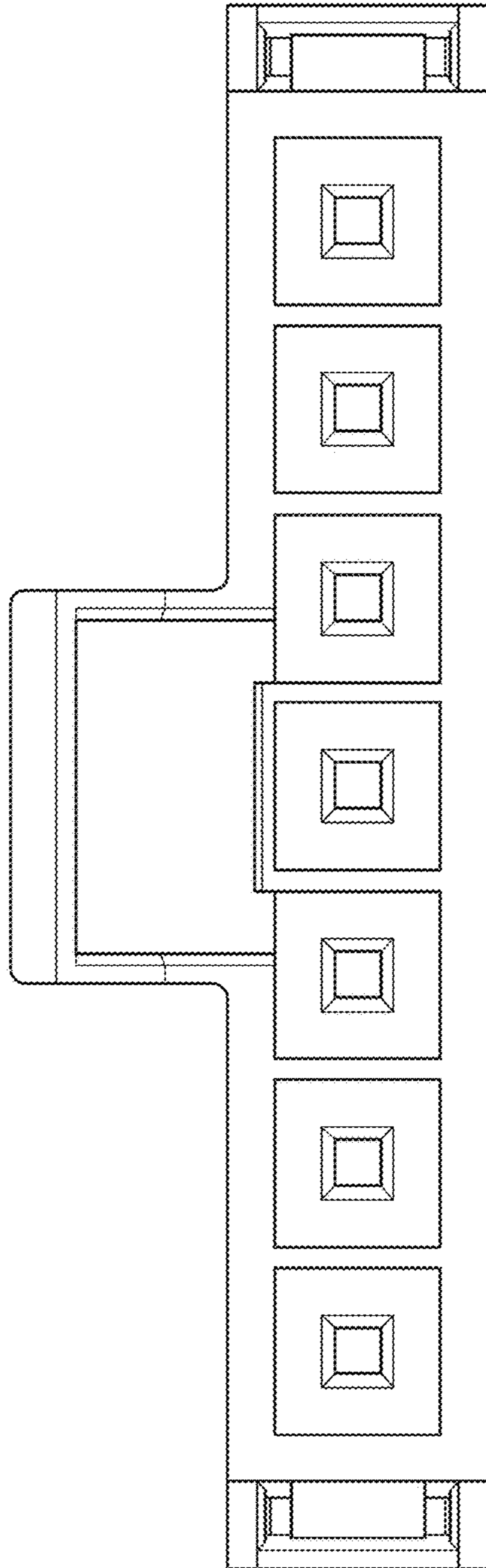


FIG. 42

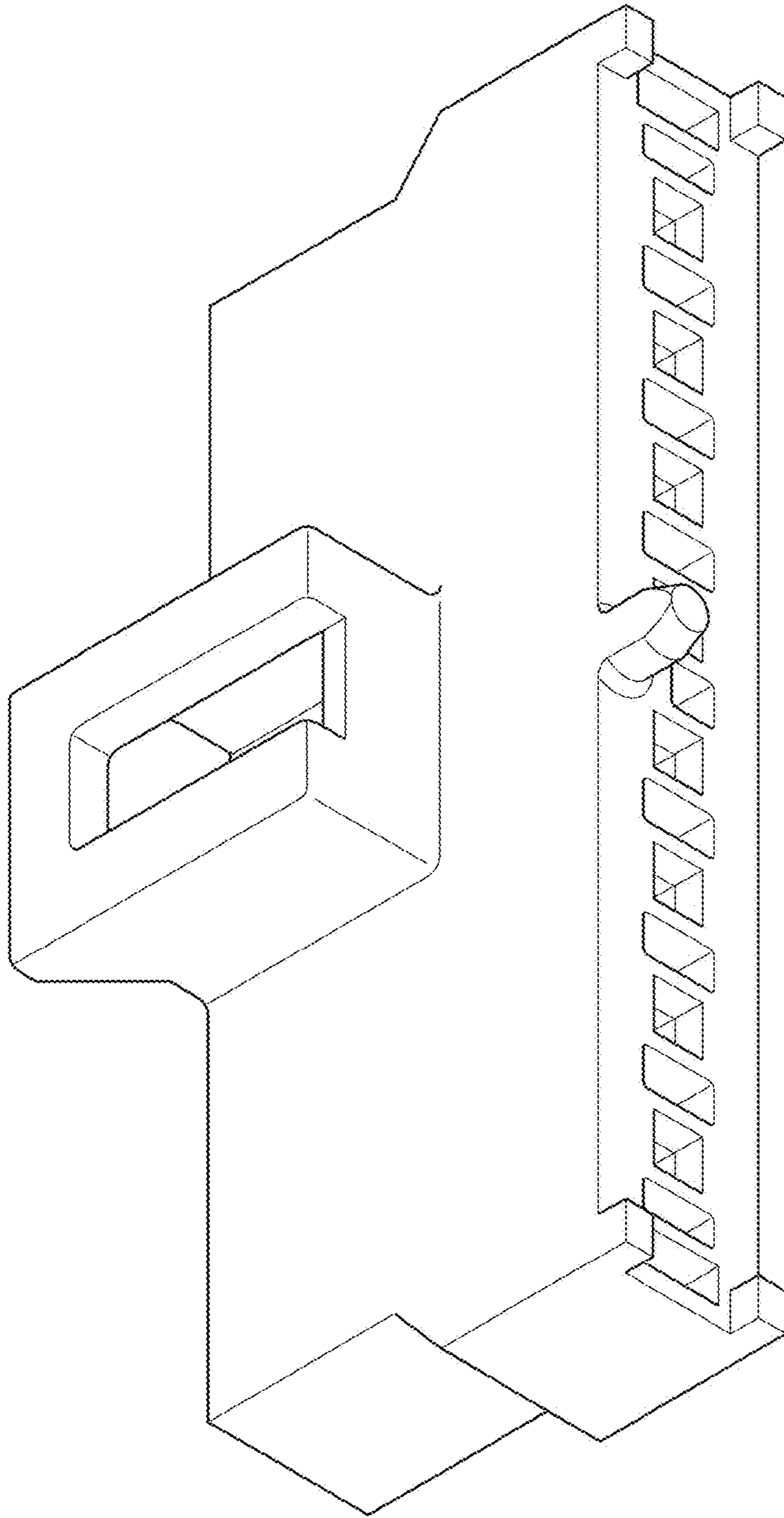


FIG. 43

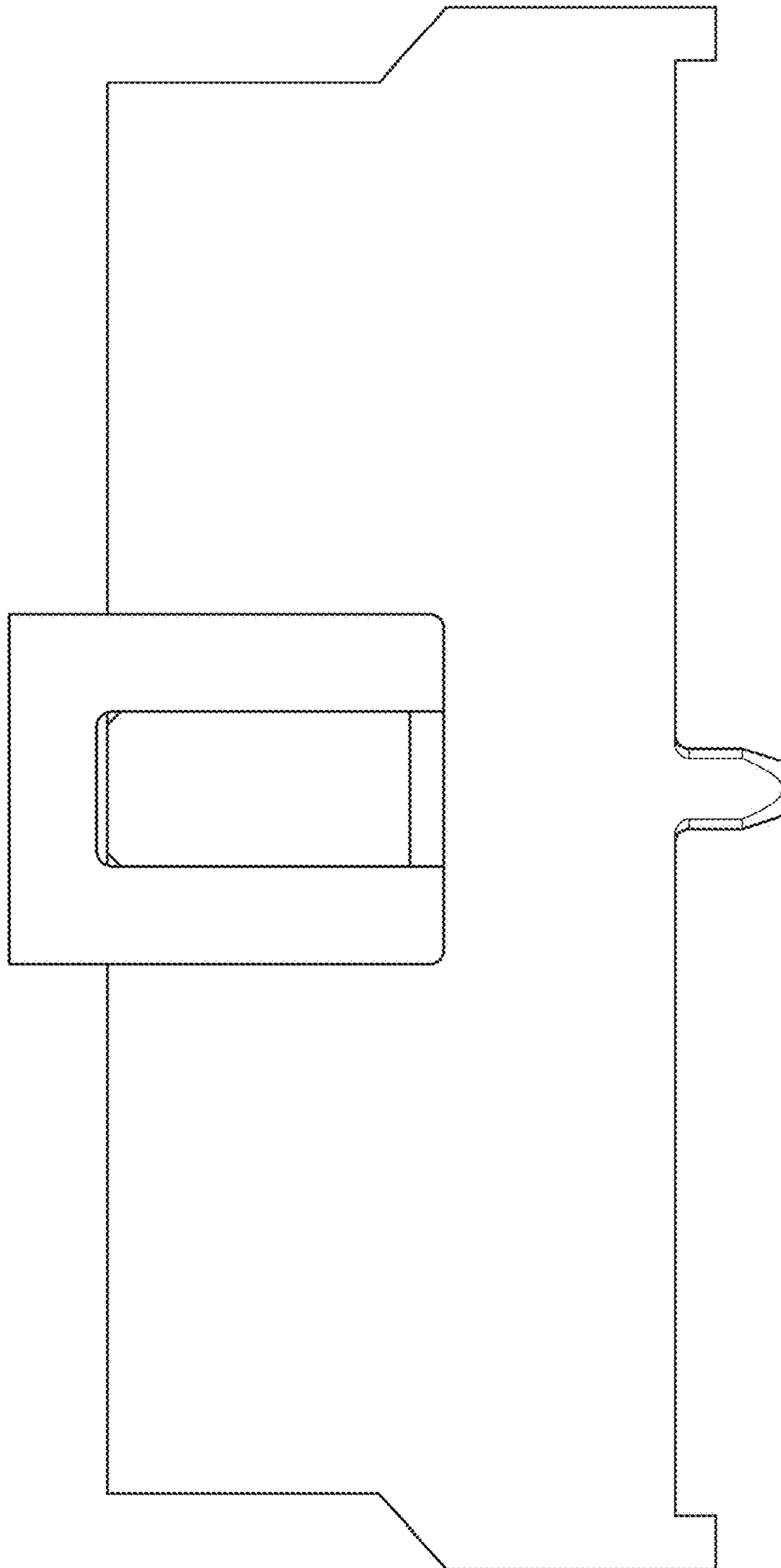


FIG. 44

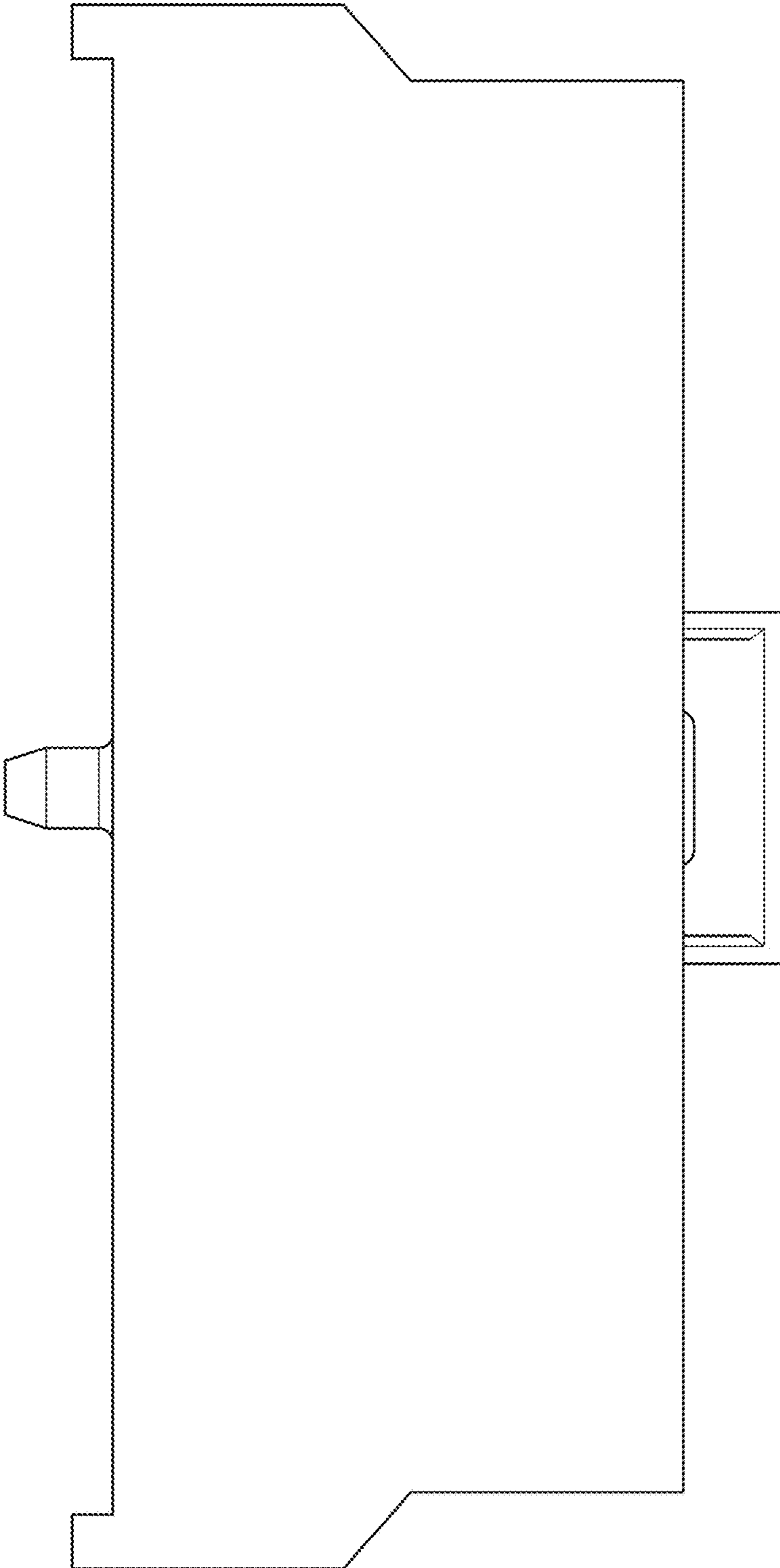


FIG. 45

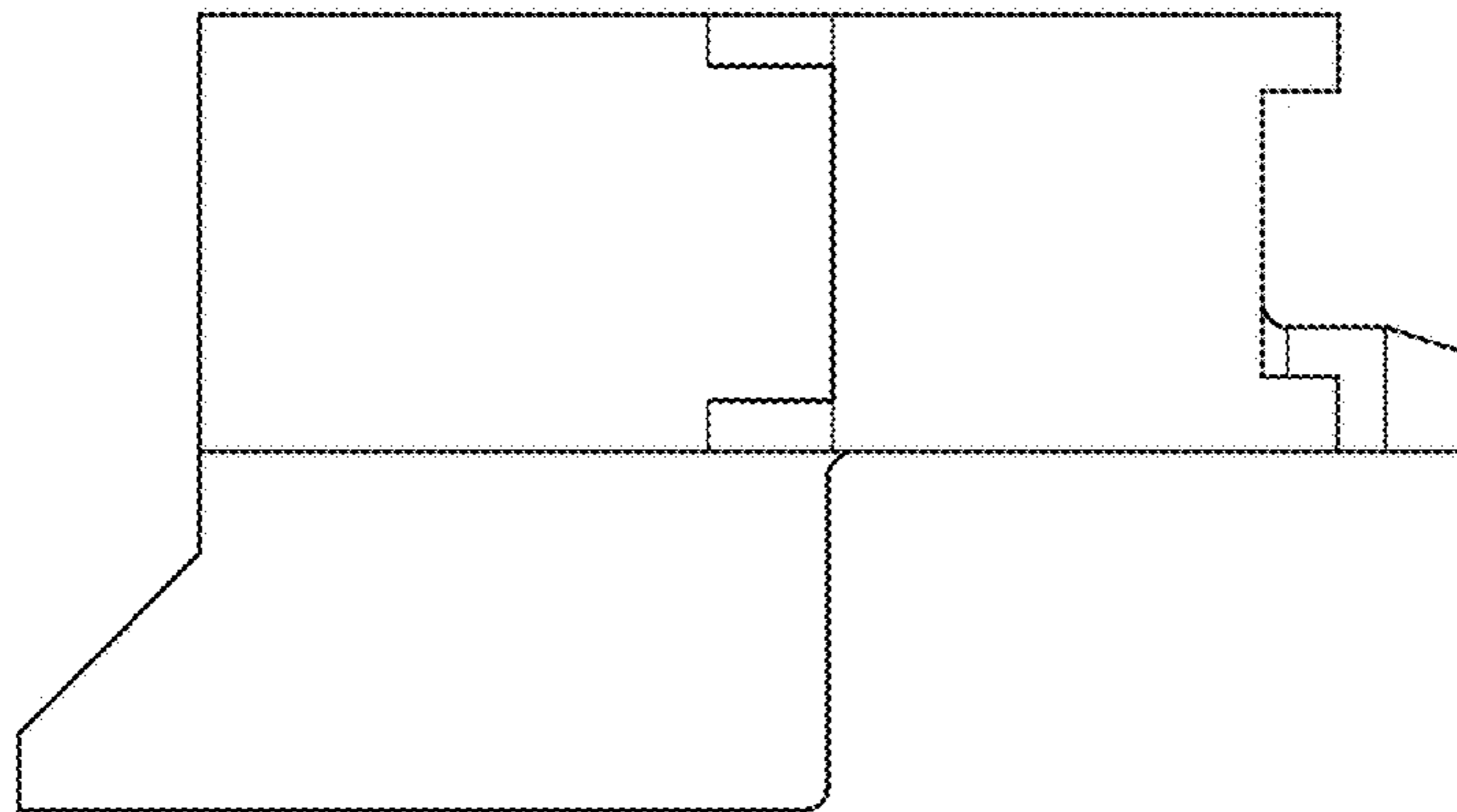


FIG. 46



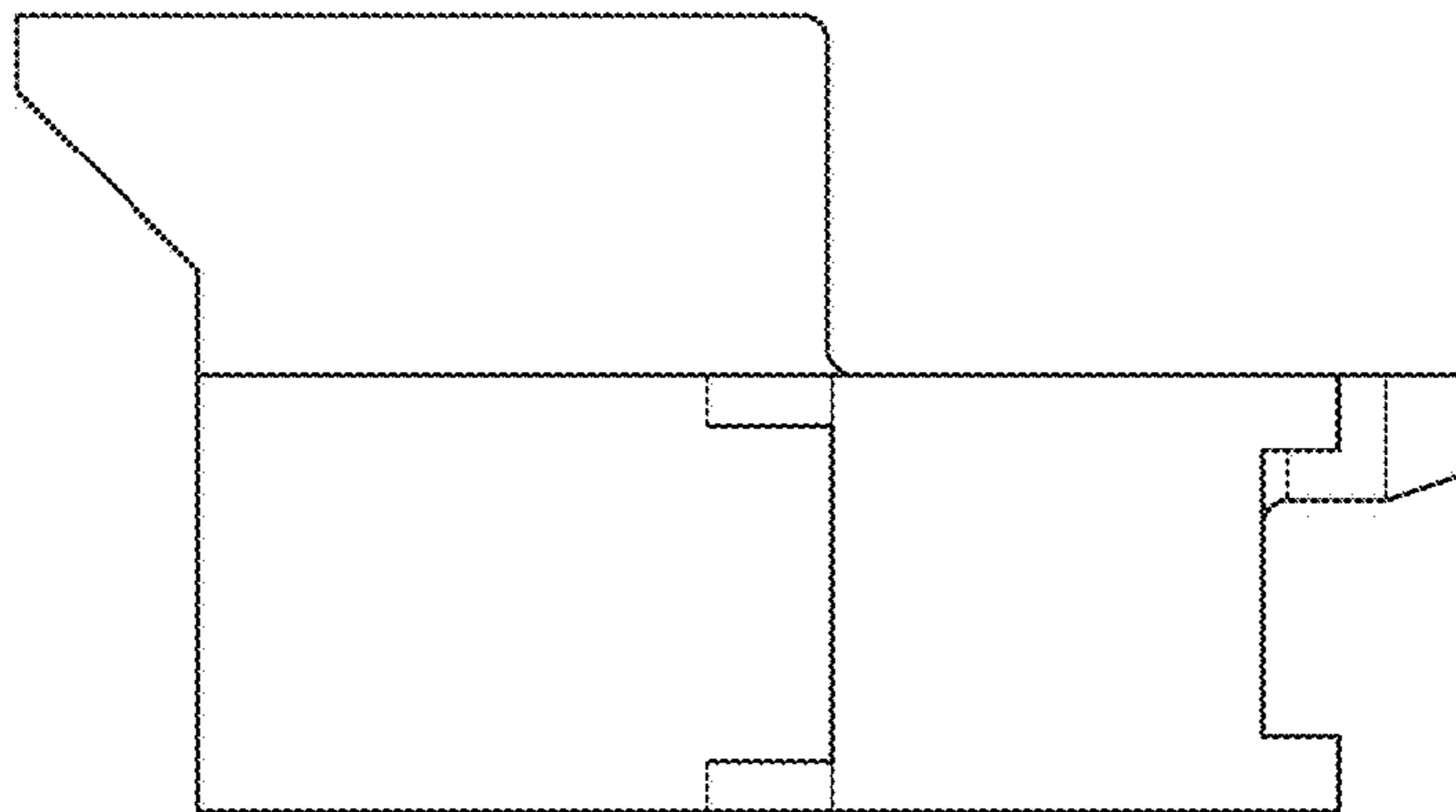


FIG. 47

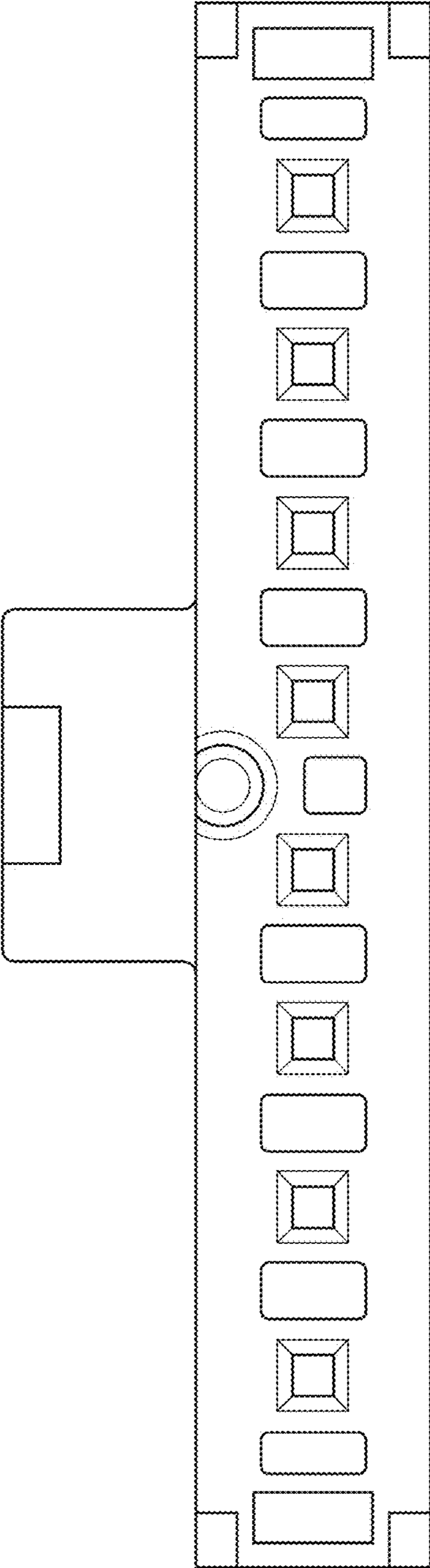


FIG. 48

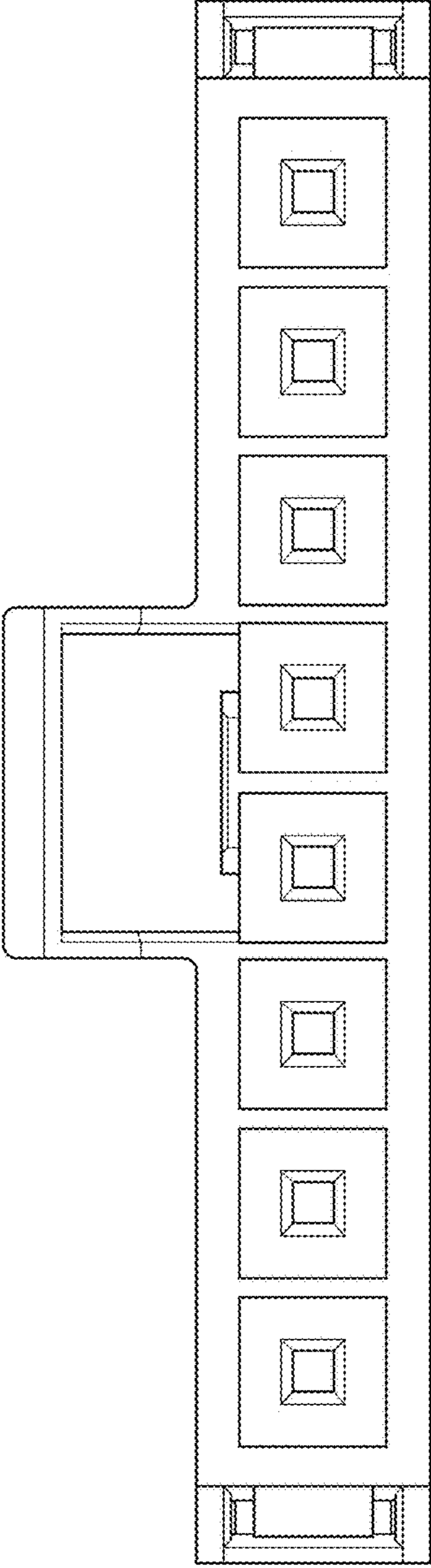


FIG. 49