



US00D791704S

(12) **United States Design Patent** (10) **Patent No.:** **US D791,704 S**
Li et al. (45) **Date of Patent:** **** Jul. 11, 2017**

(54) **CONNECTOR HOUSING**
(71) Applicant: **Molex, LLC**, Lisle, IL (US)
(72) Inventors: **Dixon Li**, Shanghai (CN); **Anson Yin**, Shanghai (CN)
(73) Assignee: **Molex, LLC**, Lisle, IL (US)
(**) Term: **15 Years**
(21) Appl. No.: **29/563,126**
(22) Filed: **May 2, 2016**
(51) **LOC (10) Cl.** **13-03**
(52) **U.S. Cl.**
USPC **D13/147**
(58) **Field of Classification Search**
USPC D13/133, 146, 147, 154, 155, 156, 184, D13/199
CPC H01R 13/02; H01R 13/436; H01R 13/502; H01R 13/504; H01R 13/506; H01R 13/514; H01R 13/5208; H01R 13/627; H01R 13/639; H01R 13/6581; H01R 24/20; H01R 24/28
See application file for complete search history.

D583,770 S * 12/2008 Ramsey D13/146
D605,133 S * 12/2009 Tanaka D13/147
D719,098 S * 12/2014 Endo D13/147
D748,580 S * 2/2016 Endo D13/146
D748,588 S * 2/2016 Endo D13/147
D751,990 S * 3/2016 Ikeda D13/147

FOREIGN PATENT DOCUMENTS

WO 2015/112975 A1 7/2015
* cited by examiner

Primary Examiner — Daniel Bui
(74) *Attorney, Agent, or Firm* — Banner & Witcoff, Ltd.

(57) **CLAIM**

The ornamental design for a connector housing, as shown and described.

DESCRIPTION

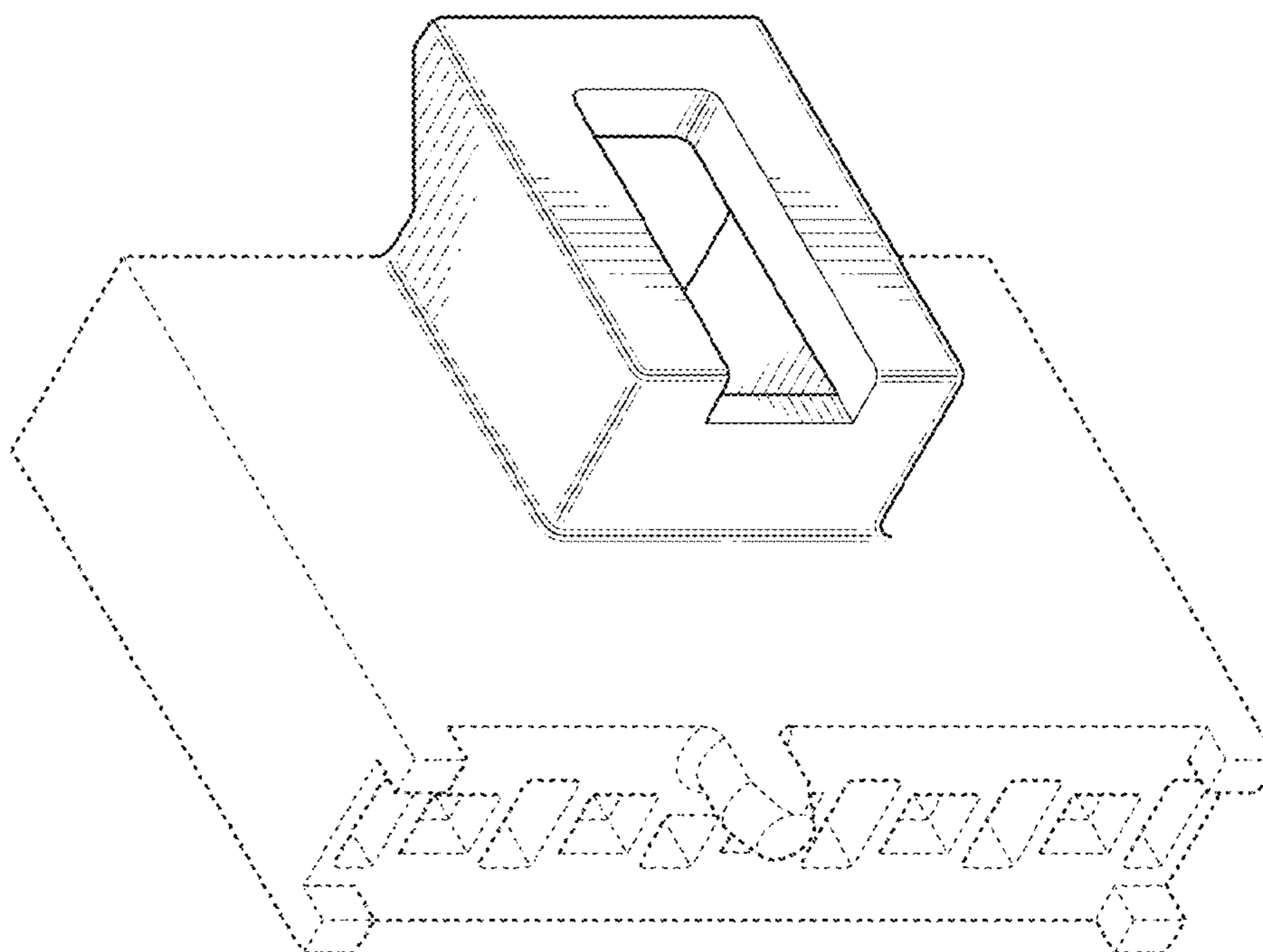
FIG. 1 is a rear perspective view of a connector housing showing our new design;
FIG. 2 is a top view thereof;
FIG. 3 is a bottom view thereof;
FIG. 4 is a left side view thereof;
FIG. 5 is a right side view thereof;
FIG. 6 is a rear view thereof; and,
FIG. 7 is a front view thereof.
The broken line immediately adjacent to the shaded area represents an unclaimed boundary of the design. The broken lines showing the remainder of the connector housing are for environmental purposes only and form no part of the claimed design.

(56) **References Cited**

U.S. PATENT DOCUMENTS

D316,703 S * 5/1991 Eto D13/147
D463,370 S * 9/2002 Chen D13/147
D479,199 S * 9/2003 Jones D13/147
D524,751 S * 7/2006 Lee D13/147
D531,960 S * 11/2006 Kondas D13/147

1 Claim, 7 Drawing Sheets



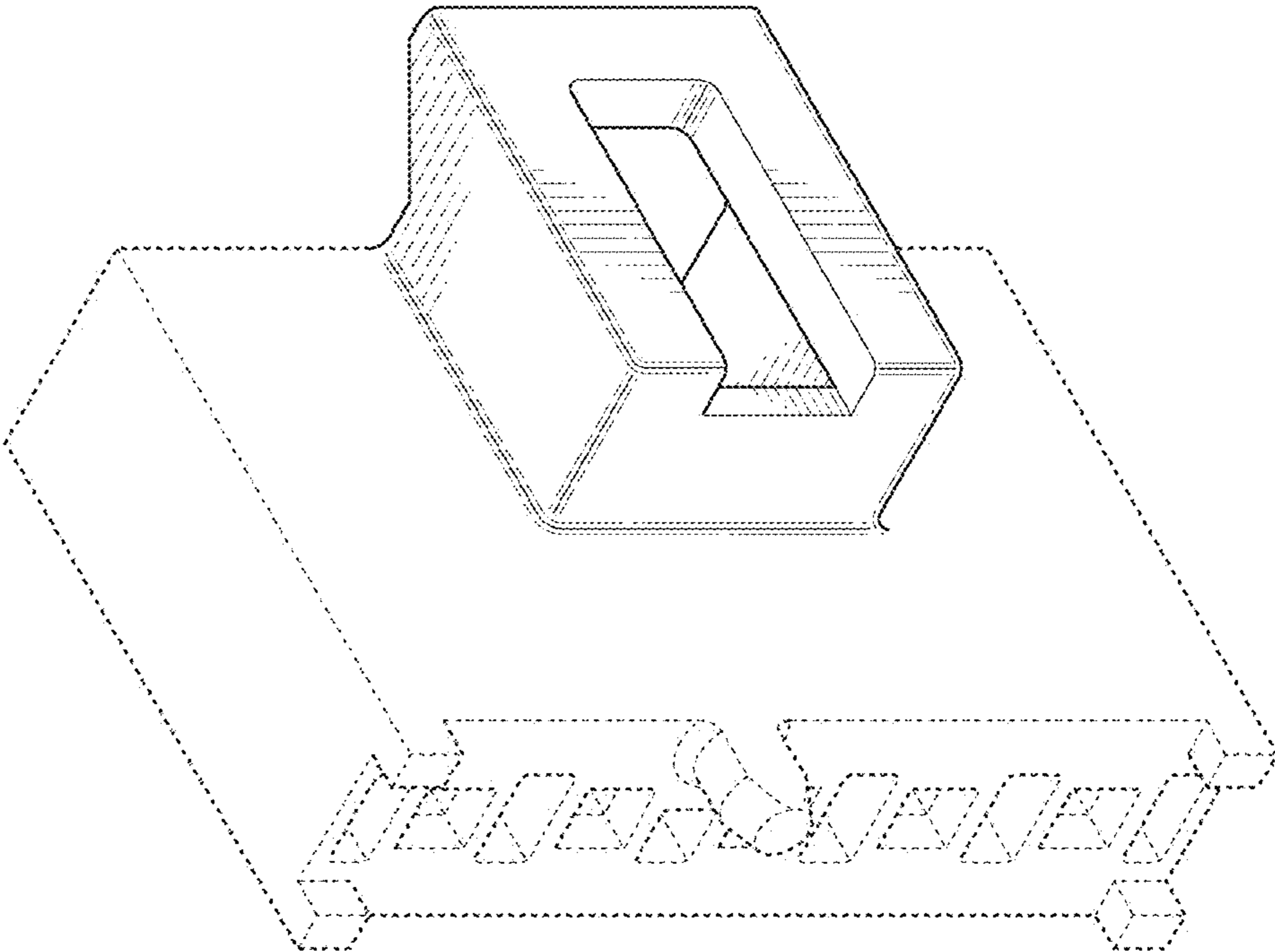


FIG. 1

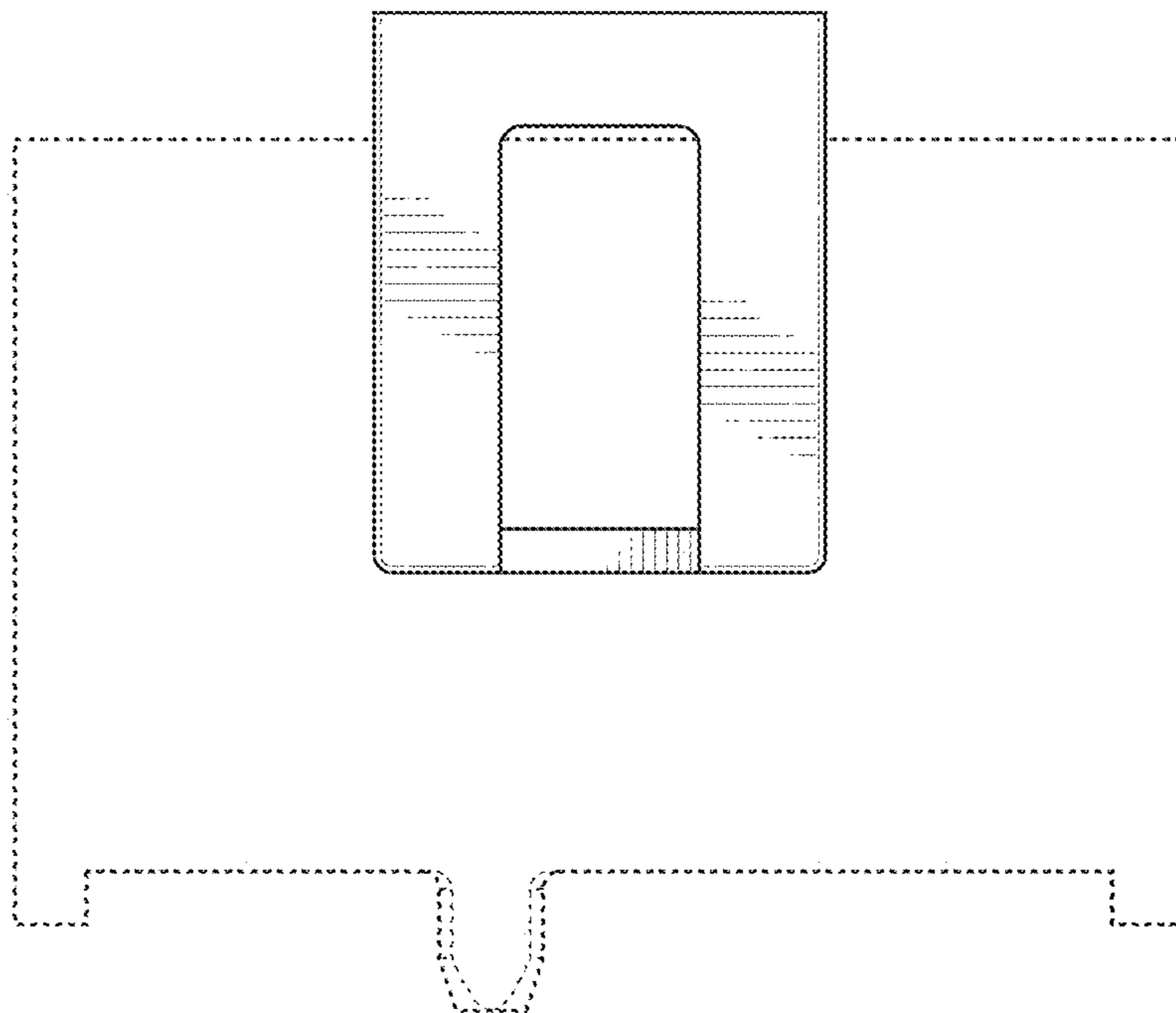


FIG. 2

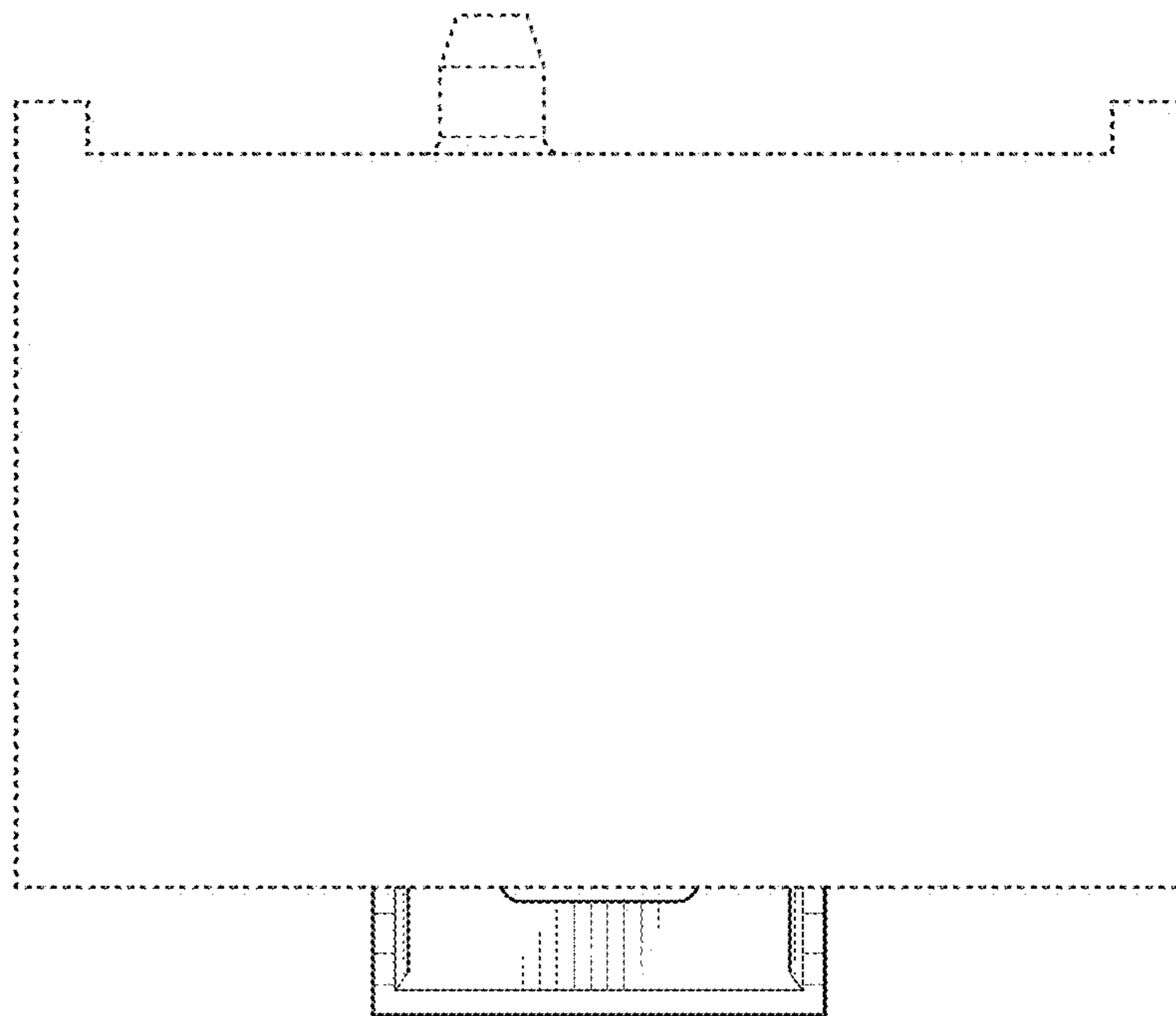


FIG. 3

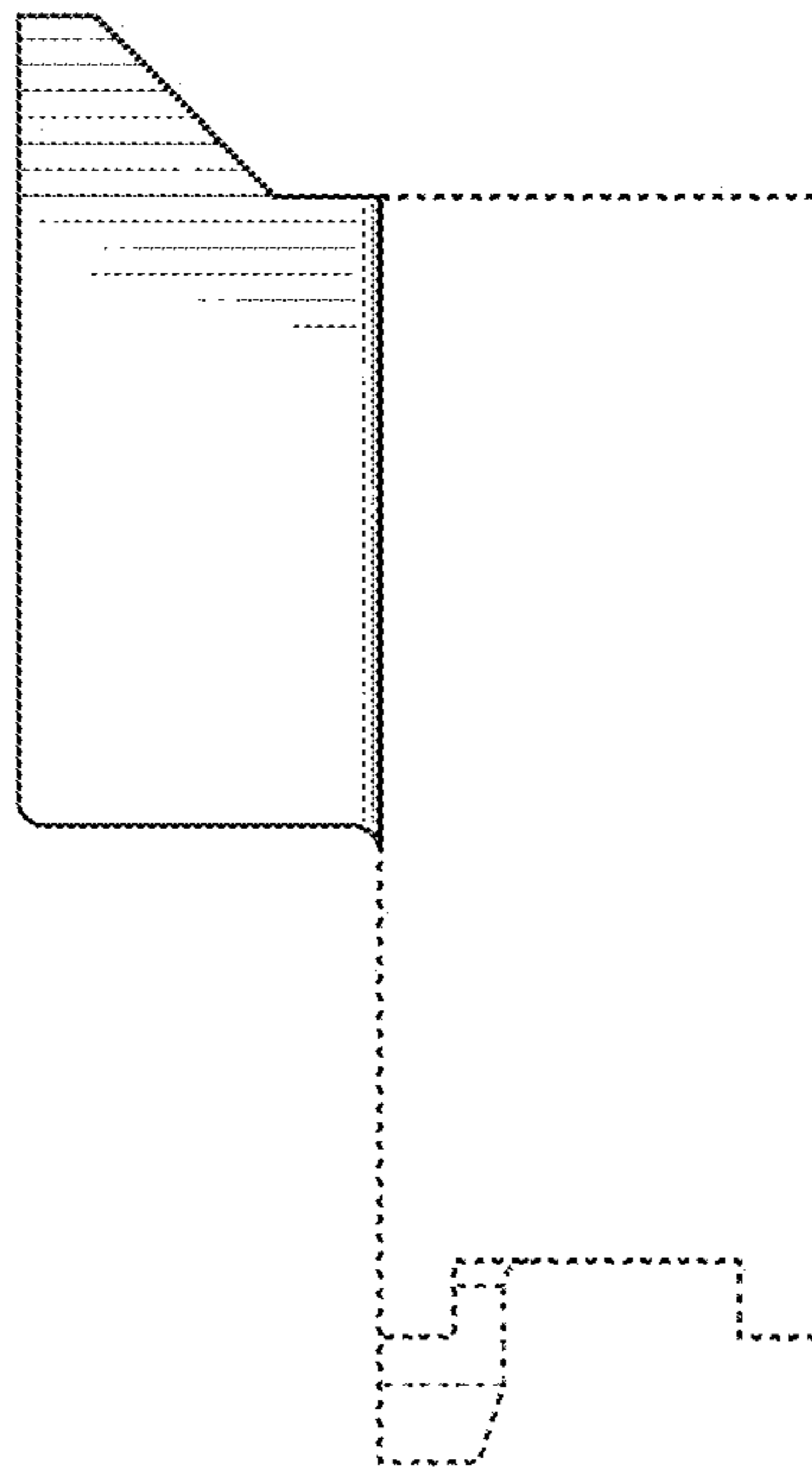


FIG. 4

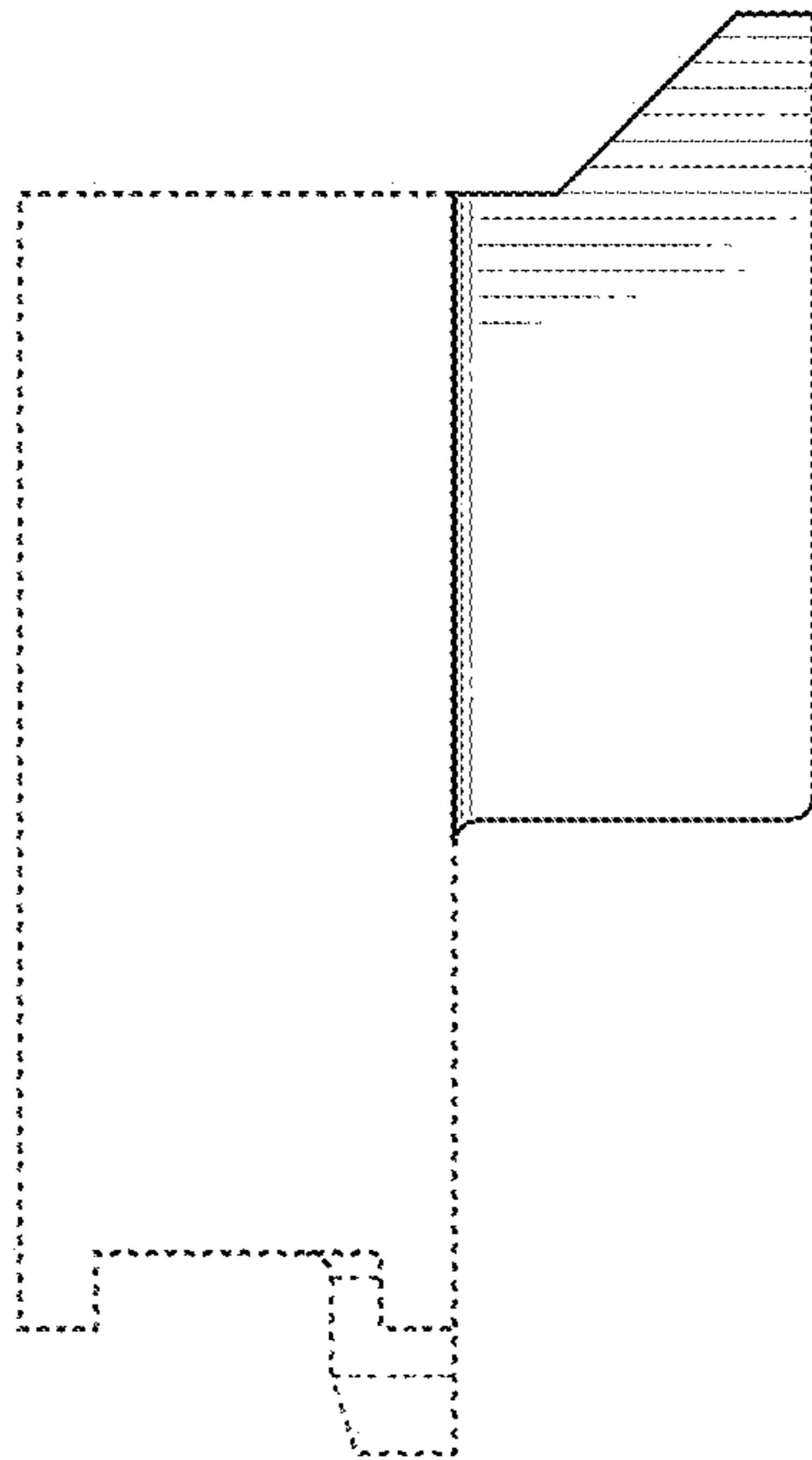


FIG. 5

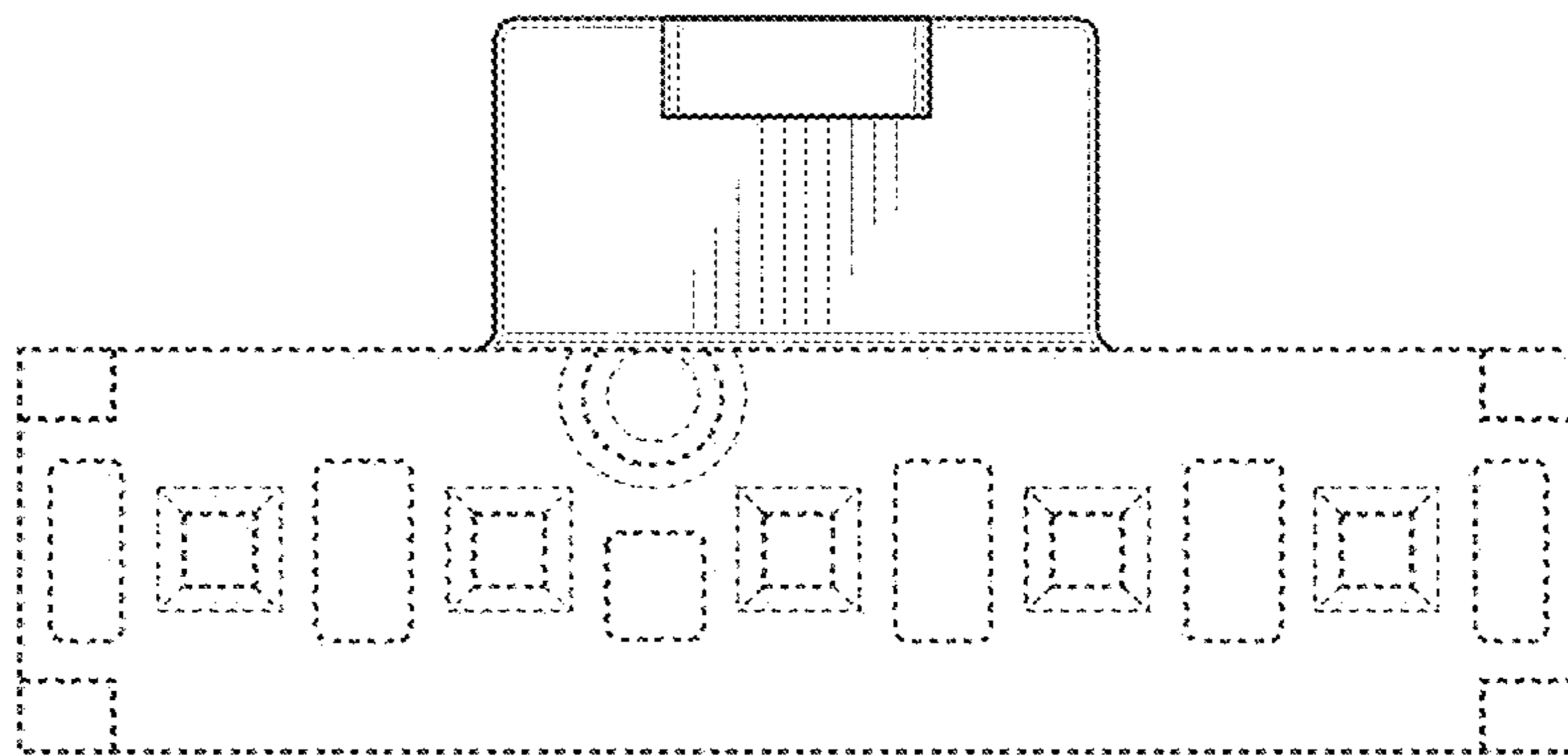


FIG. 6

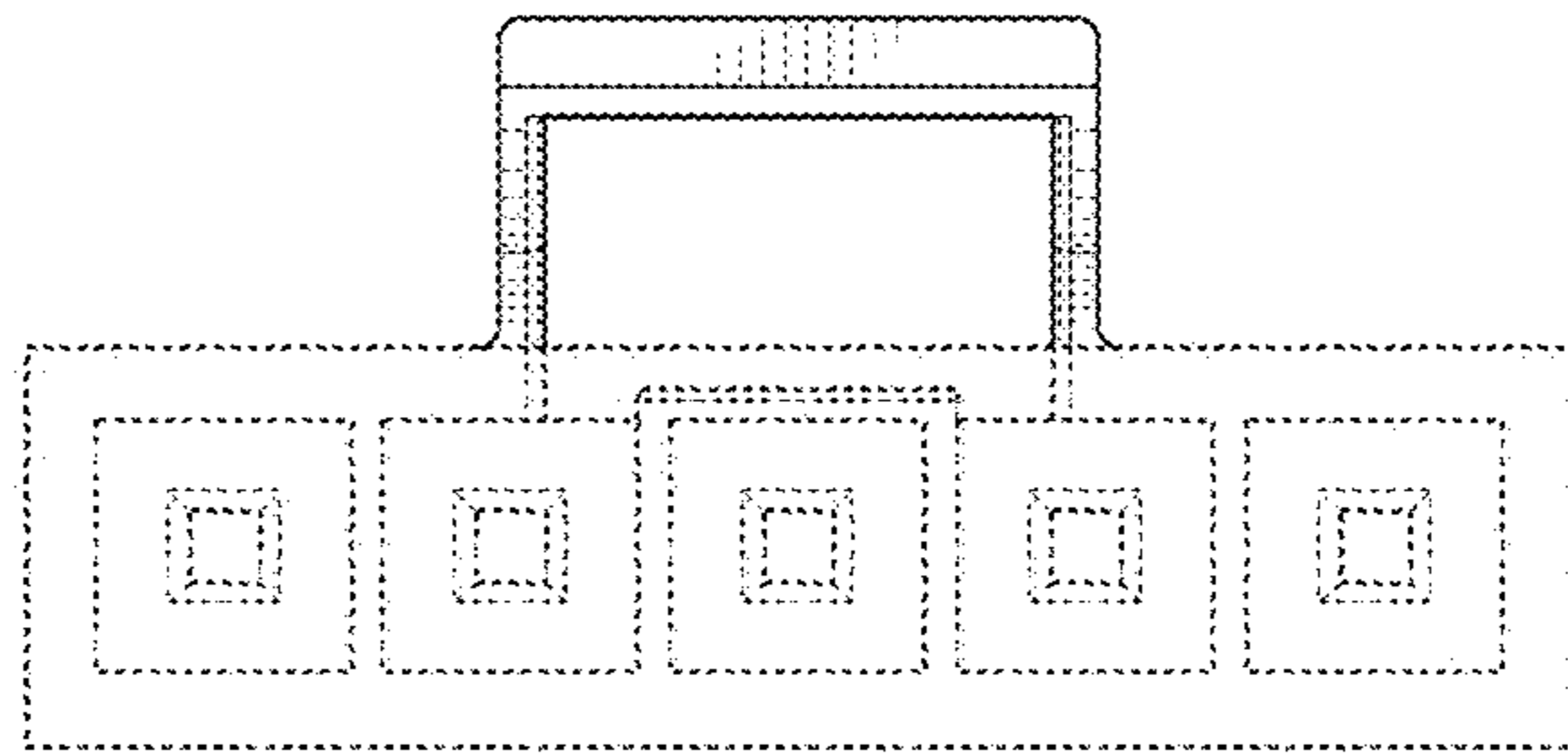


FIG. 7