



US00D791702S

(12) **United States Design Patent**
Sasaki et al.

(10) **Patent No.:** **US D791,702 S**
(45) **Date of Patent:** **** Jul. 11, 2017**

- (54) **ELECTRICAL CONNECTOR**
- (71) Applicant: **SMK CORPORATION**, Tokyo (JP)
- (72) Inventors: **Tadahito Sasaki**, Ibaraki (JP);
Toyokazu Yoshino, Kanagawa (JP);
Mitsuhiro Yoshida, Kanagawa (JP)
- (73) Assignee: **SMK Corporation**, Tokyo (JP)
- (**) Term: **14 Years**
- (21) Appl. No.: **29/523,695**
- (22) Filed: **Apr. 13, 2015**
- (51) **LOC (10) Cl.** **13-03**
- (52) **U.S. Cl.**
USPC **D13/133**
- (58) **Field of Classification Search**
USPC D13/110, 118, 123, 133, 146-149, 154,
D13/156, 173, 184, 199
CPC H01R 13/70; H01R 13/44; H01R 33/00;
H01R 43/00; H01R 24/06; H01R 43/26;
H01R 13/00; H01R 13/62; H01R 13/63;
H01R 13/625; H01R 25/00; H01B 17/00;
H01B 11/12; H01H 9/00; H01H 9/02
See application file for complete search history.

- (56) **References Cited**
U.S. PATENT DOCUMENTS
D405,058 S * 2/1999 Nakamura D13/156
D493,140 S * 7/2004 Wu D13/133
D531,123 S * 10/2006 Hu D13/147
D734,728 S * 7/2015 Lagziel D13/154
D738,827 S * 9/2015 Lo D13/154
D747,686 S * 1/2016 Kawamura D13/133
2011/0101409 A1 * 5/2011 Barnett H01L 25/167
257/99

- 2011/0250791 A1* 10/2011 Straka H01R 9/034
439/607.09
- 2011/0306244 A1* 12/2011 Zhang H01R 9/034
439/624
- 2015/0031246 A1* 1/2015 Wu H01R 13/6473
439/660

* cited by examiner

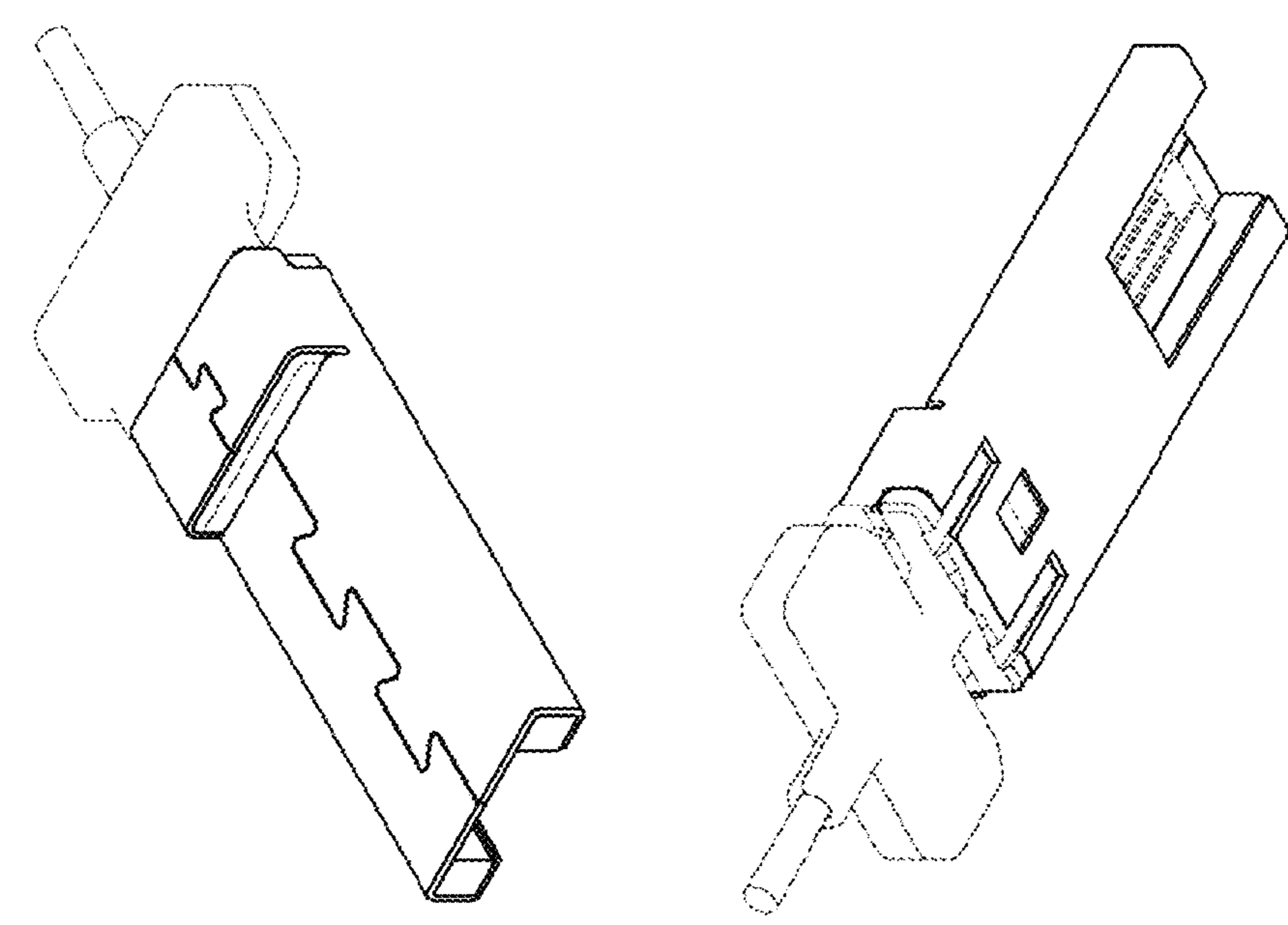
Primary Examiner — Thomas Johannes
Assistant Examiner — Shawn T Gingrich
(74) *Attorney, Agent, or Firm* — Widerman Malek, PL;
Mark Malek

(57) **CLAIM**
The ornamental design for an electrical connector, as shown and described.

DESCRIPTION

FIG. 1 is a top perspective view of an electrical connector according to the present invention.
FIG. 2 is a bottom perspective view of the electrical connector illustrated in FIG. 1.
FIG. 3 is a side elevation view of the electrical connector illustrated in FIG. 1.
FIG. 4 is a top plan view of the electrical connector illustrated in FIG. 1.
FIG. 5 is a bottom plan view of the electrical connector illustrated in FIG. 1.
FIG. 6 is a front elevation view of the electrical connector illustrated in FIG. 1; and
FIG. 7 is a rear elevation view of the electrical connector illustrated in FIG. 1.
The broken lines in FIGS. 1-7 are included to show portions of the article and environment that form no part of the claimed design.

1 Claim, 7 Drawing Sheets



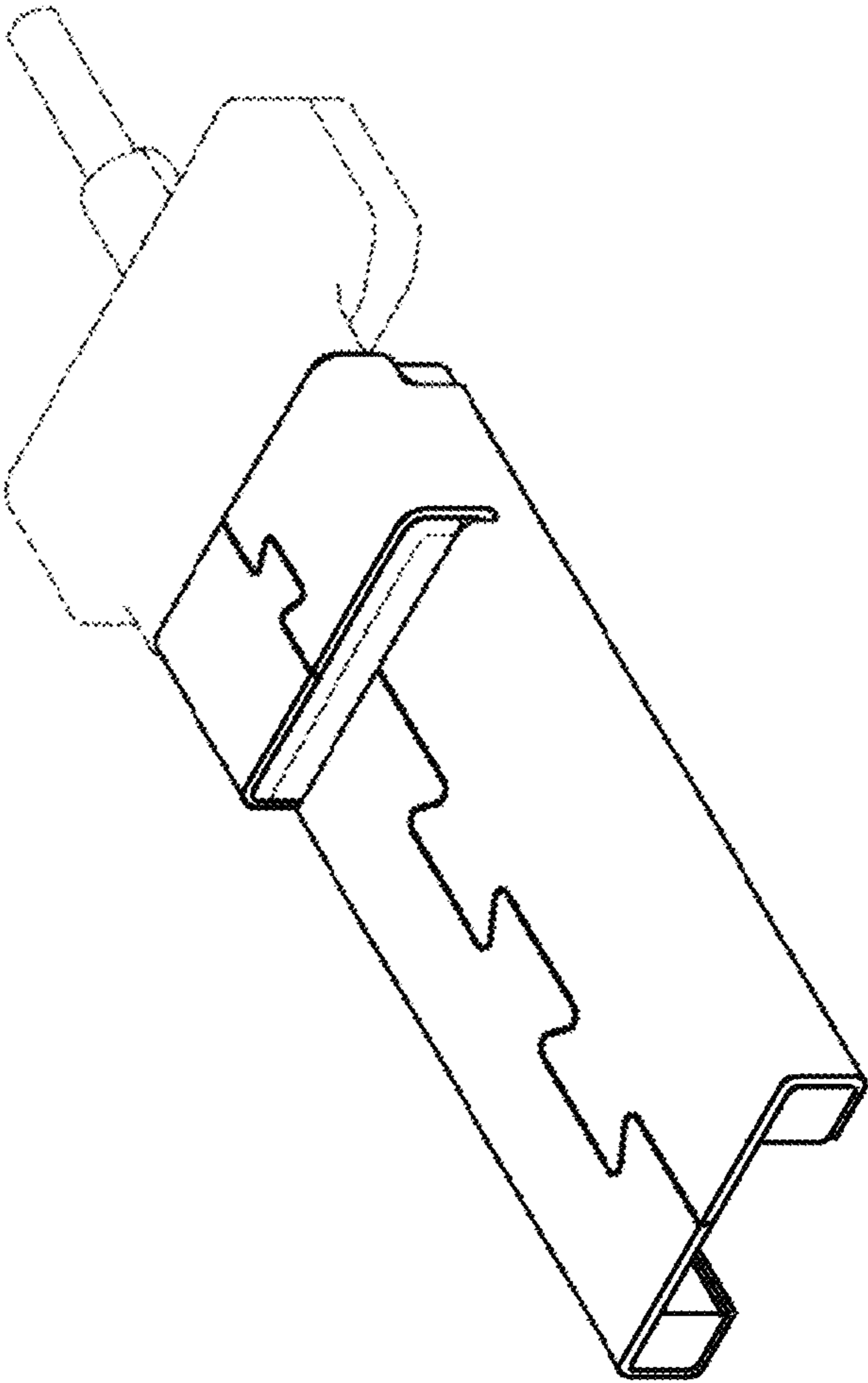


FIG.1

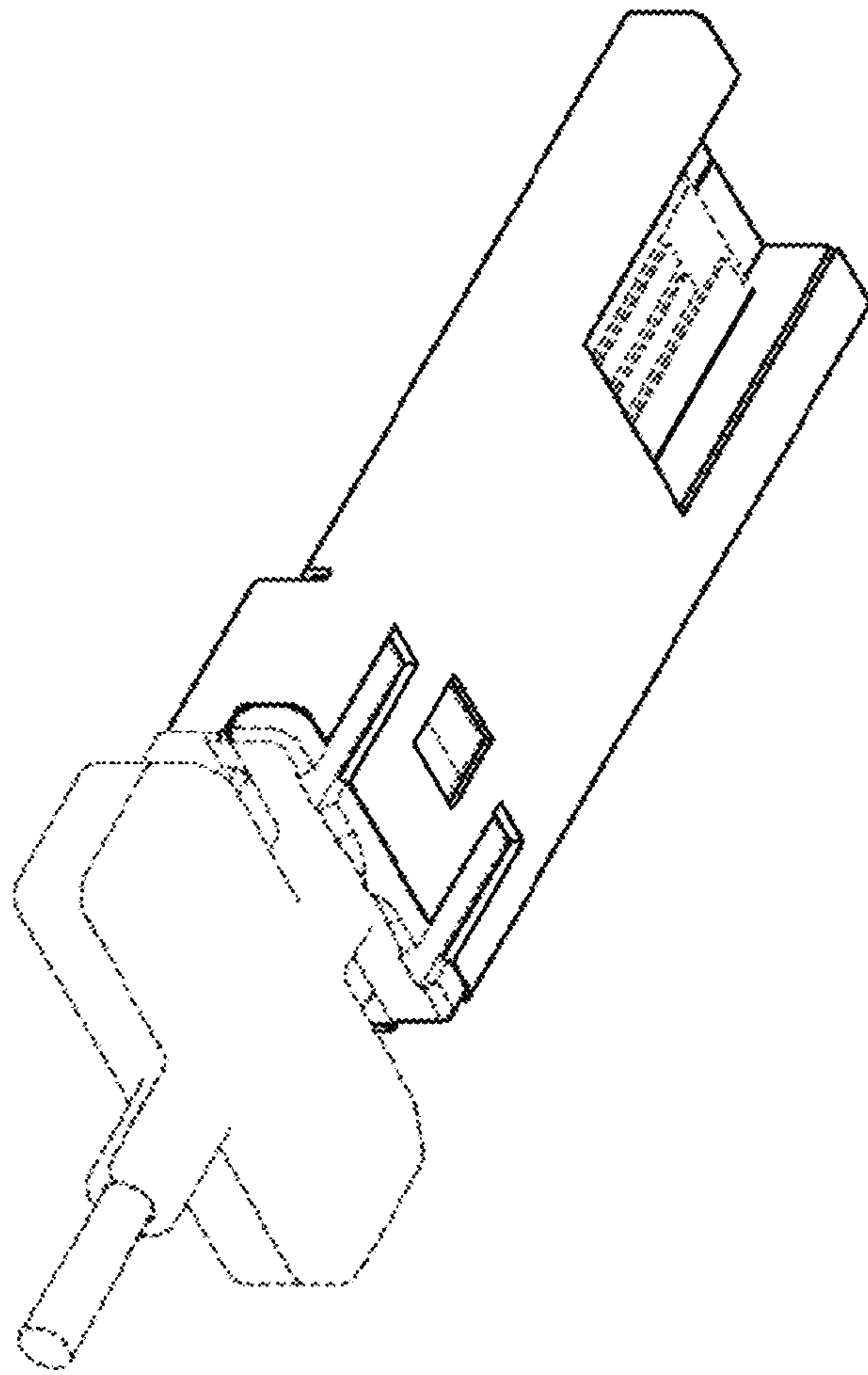


FIG. 2

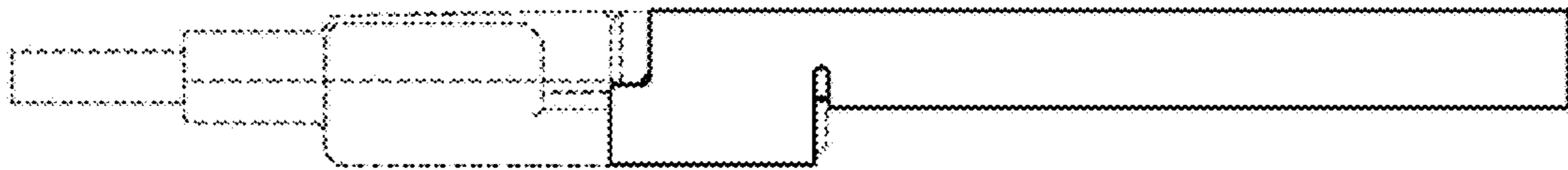


FIG.3

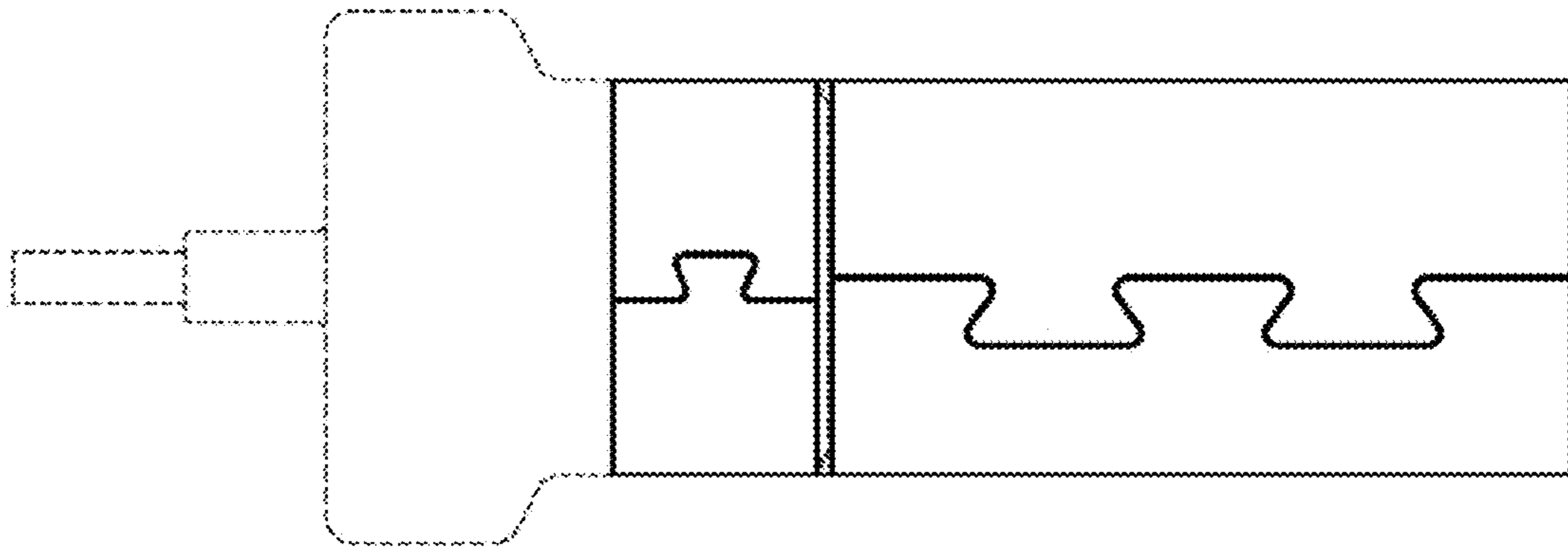


FIG.4

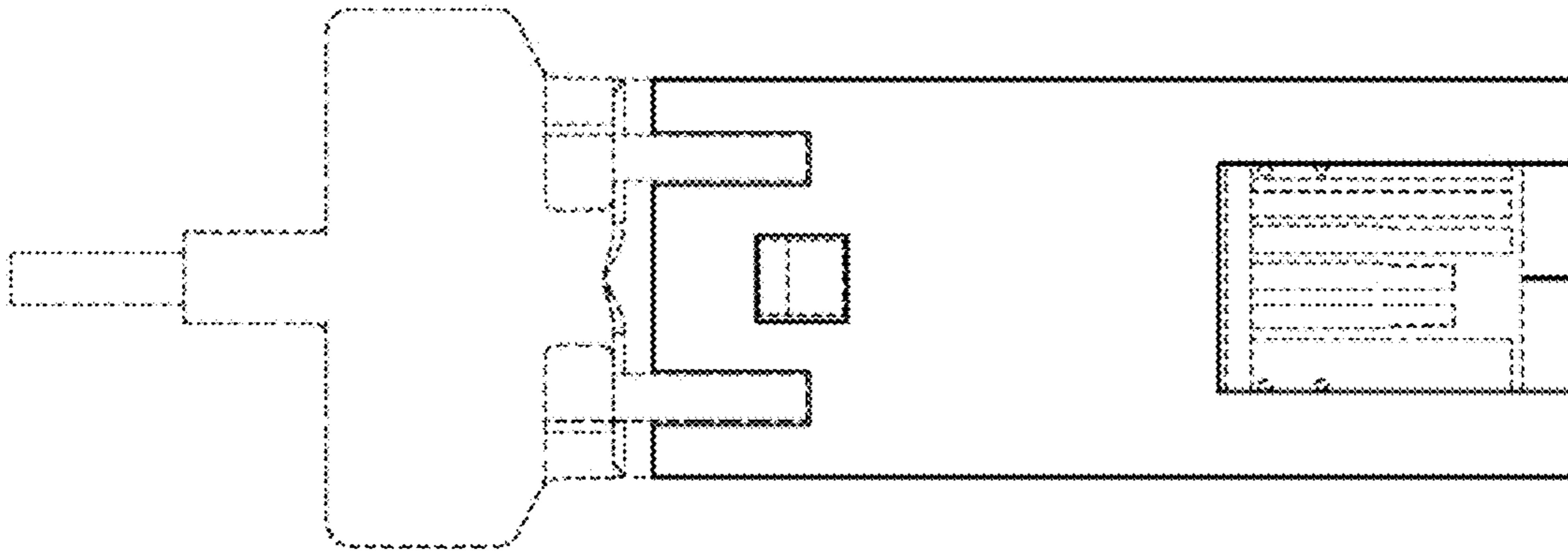


FIG.5

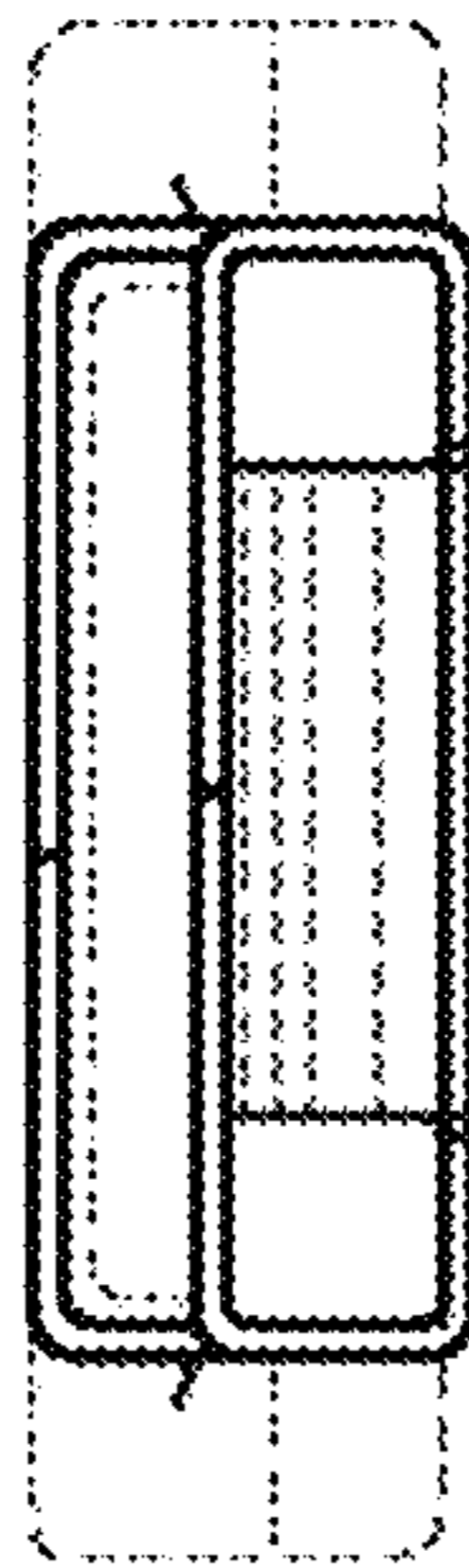


FIG.6

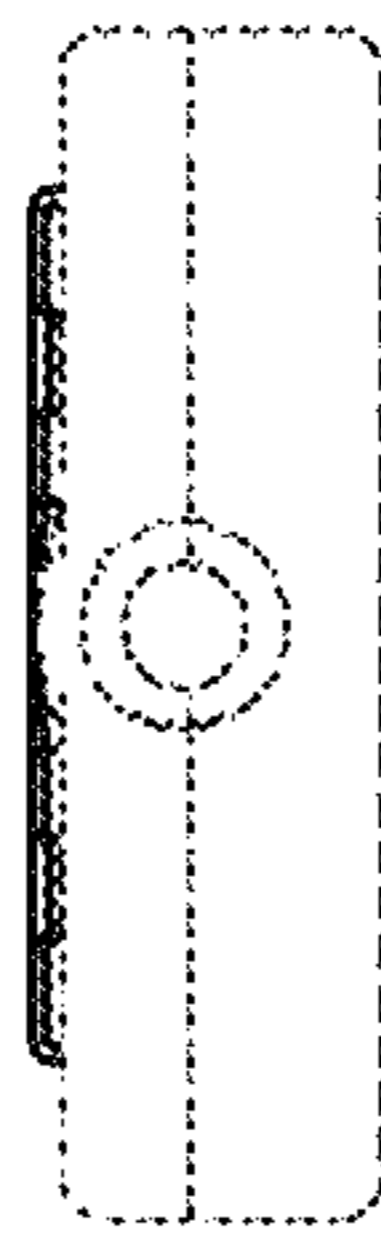


FIG. 7