



US00D791701S

(12) **United States Design Patent** (10) **Patent No.:** **US D791,701 S**
Becker et al. (45) **Date of Patent:** **** Jul. 11, 2017**

(54) **GAS APPLIANCE IGNITION MODULE**

(71) Applicant: **Channel Products, Inc.**, Chesterland, OH (US)

(72) Inventors: **James S. Becker**, Chardon, OH (US); **Florin N. Lazar**, Parma, OH (US)

(73) Assignee: **Channel Products, Inc.**, Chesterland, OH (US)

(**) Term: **15 Years**

(21) Appl. No.: **29/563,389**

(22) Filed: **May 4, 2016**

(51) **LOC (10) Cl.** **13-03**

(52) **U.S. Cl.**
USPC **D13/126**

(58) **Field of Classification Search**
USPC D13/126, 127, 117, 118, 130, 131, 132, D13/199; D7/402, 416
CPC ... F02P 3/05; F02P 21/00; H01F 38/12; H01F 27/28; H01F 2027/2814; H01F 2027/2857; H01F 2027/2861; F23Q 13/00; H05B 41/2881; Y02B 30/08; Y02B 30/104; Y02B 30/18; Y02B 30/20; Y02B 30/28

See application file for complete search history.

(56) **References Cited**

U.S. PATENT DOCUMENTS

D258,358 S * 2/1981 Iyoda D13/117
5,170,768 A * 12/1992 Eileraas H01F 38/12
123/634
D343,337 S * 1/1994 Johnston D7/416
5,285,760 A * 2/1994 Takaishi F02P 3/02
123/634
5,697,352 A * 12/1997 Shimizu H01F 38/12
123/634
D451,469 S * 12/2001 Tripp D13/117
D633,444 S * 3/2011 Chau D13/126
D662,883 S * 7/2012 Mizuta D13/126

D662,884 S * 7/2012 Mizuta D13/126
2001/0032636 A1 * 10/2001 Morganti H01F 38/12
123/633

2002/0148460 A1 10/2002 Hsu
2003/0082953 A1 5/2003 Ushio et al.
2003/0148655 A1 8/2003 Bluhm et al.

(Continued)

FOREIGN PATENT DOCUMENTS

CN 302467446 * 6/2013
CN 303968876 * 12/2016

(Continued)

OTHER PUBLICATIONS

YouTube. <URL: <https://www.youtube.com/watch?v=NRBpTcyjdBs>>. Nov. 14, 2010. Weber Grill Ignitor.*

(Continued)

Primary Examiner — Bridget L Eland
Assistant Examiner — Lauren McVey
(74) *Attorney, Agent, or Firm* — Brouse McDowell; Heather M. Barnes; Michael G. Craig

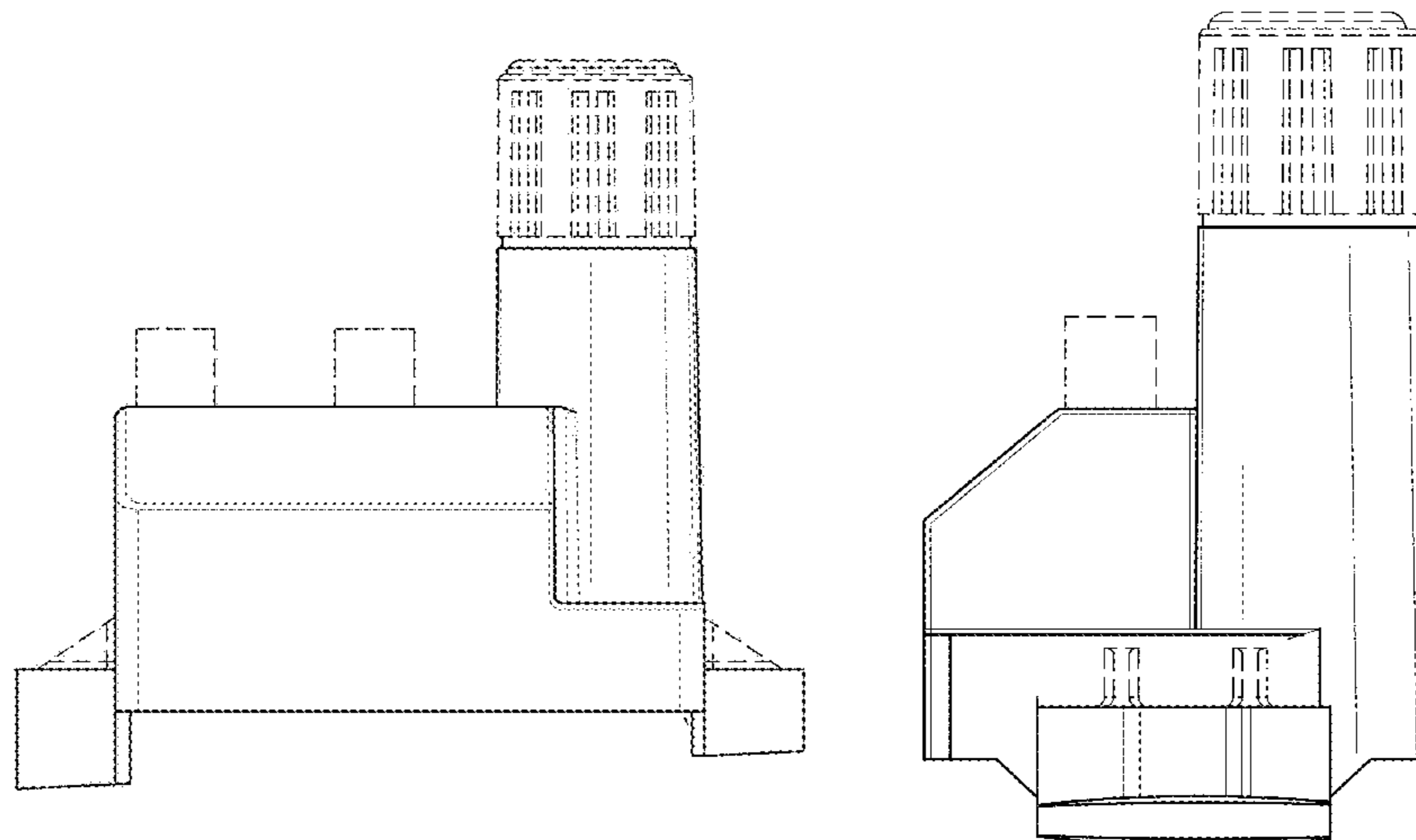
(57) **CLAIM**

The ornamental design for a gas appliance ignition module, as shown and described.

DESCRIPTION

FIG. 1 is a front perspective view of a new design for a gas appliance ignition module;
FIG. 2 is a left elevation view of FIG. 1;
FIG. 3 is a top plan view of FIG. 1;
FIG. 4 is a front elevation view of FIG. 1;
FIG. 5 is a right elevation view of FIG. 1;
FIG. 6 is a rear elevation view of FIG. 1; and,
FIG. 7 is a rear perspective view of FIG. 1.
The broken lines are directed to environment; the broken lines form no part of the claimed design.

1 Claim, 7 Drawing Sheets



(56)

References Cited

U.S. PATENT DOCUMENTS

2006/0061446 A1* 3/2006 Kato F02P 3/02
336/90
2008/0206692 A1 8/2008 Hsieh
2009/0108972 A1* 4/2009 Wada H01F 27/022
336/90
2011/0259307 A1* 10/2011 Oberer H01F 5/04
123/634

FOREIGN PATENT DOCUMENTS

EP 0219205 B1 12/1991
RU 00058761 * 3/2006

OTHER PUBLICATIONS

Repair New Weber Gas BBQ Grill Igniter Module and Electrode,
Feb. 23, 2011, 10 pages.

Yong Shen, Battery Gas Igniter 1 page.

PCT International Search Report and Written Opinion from Inter-
national Application No. PCT/US2016/030747, mailed Aug. 17,
2016, 19 pages.

* cited by examiner

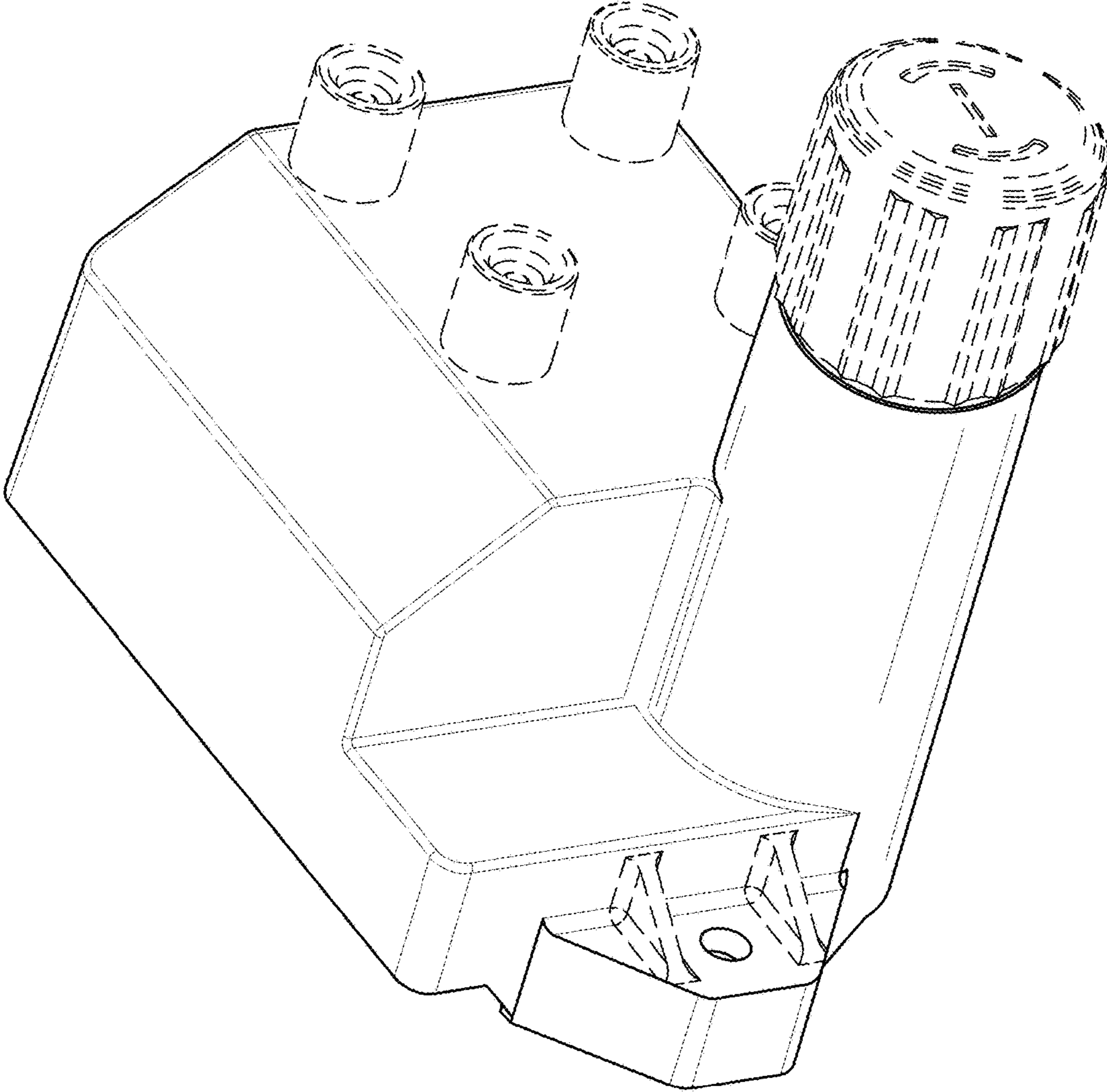


FIGURE 1

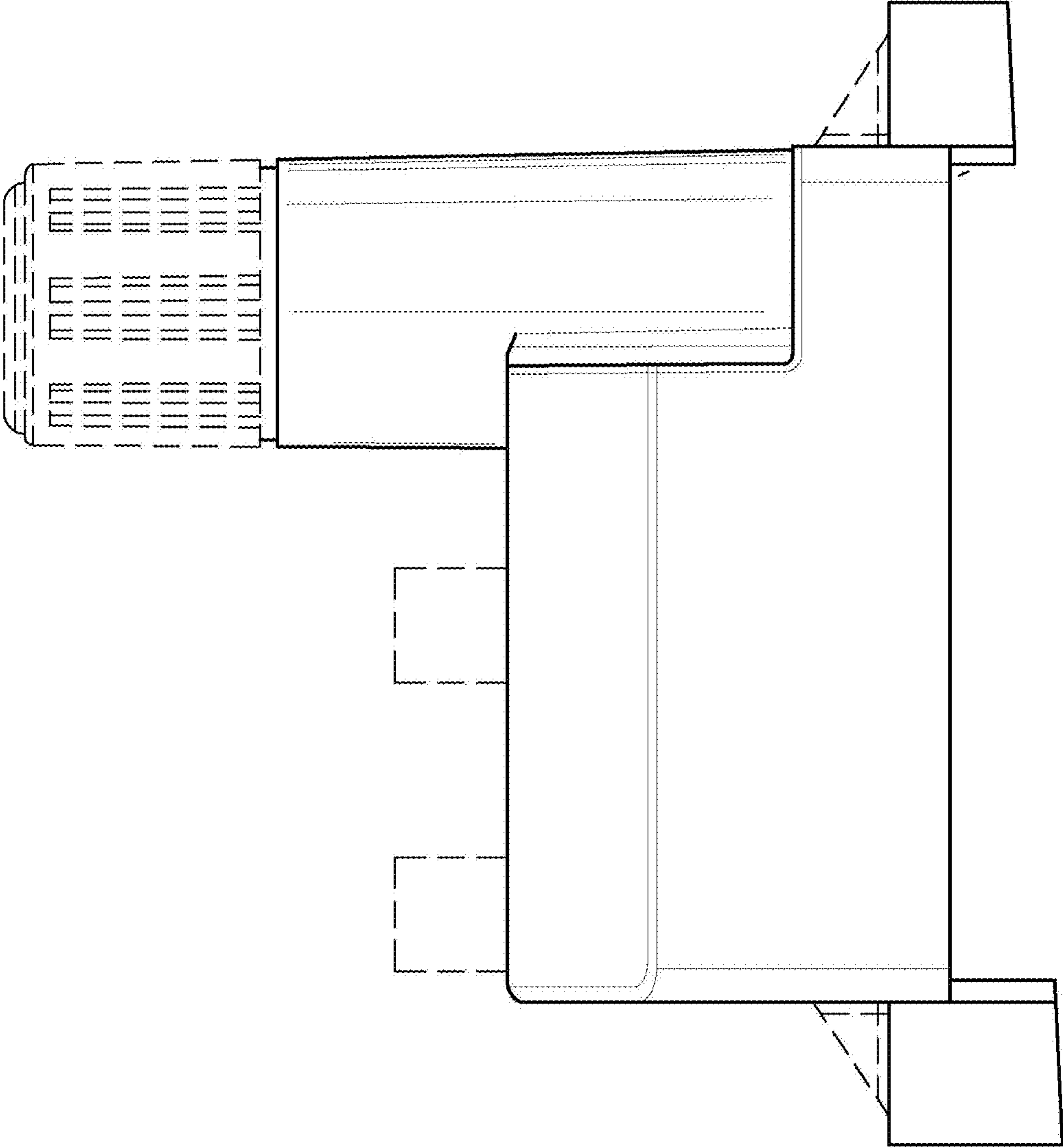


FIGURE 2

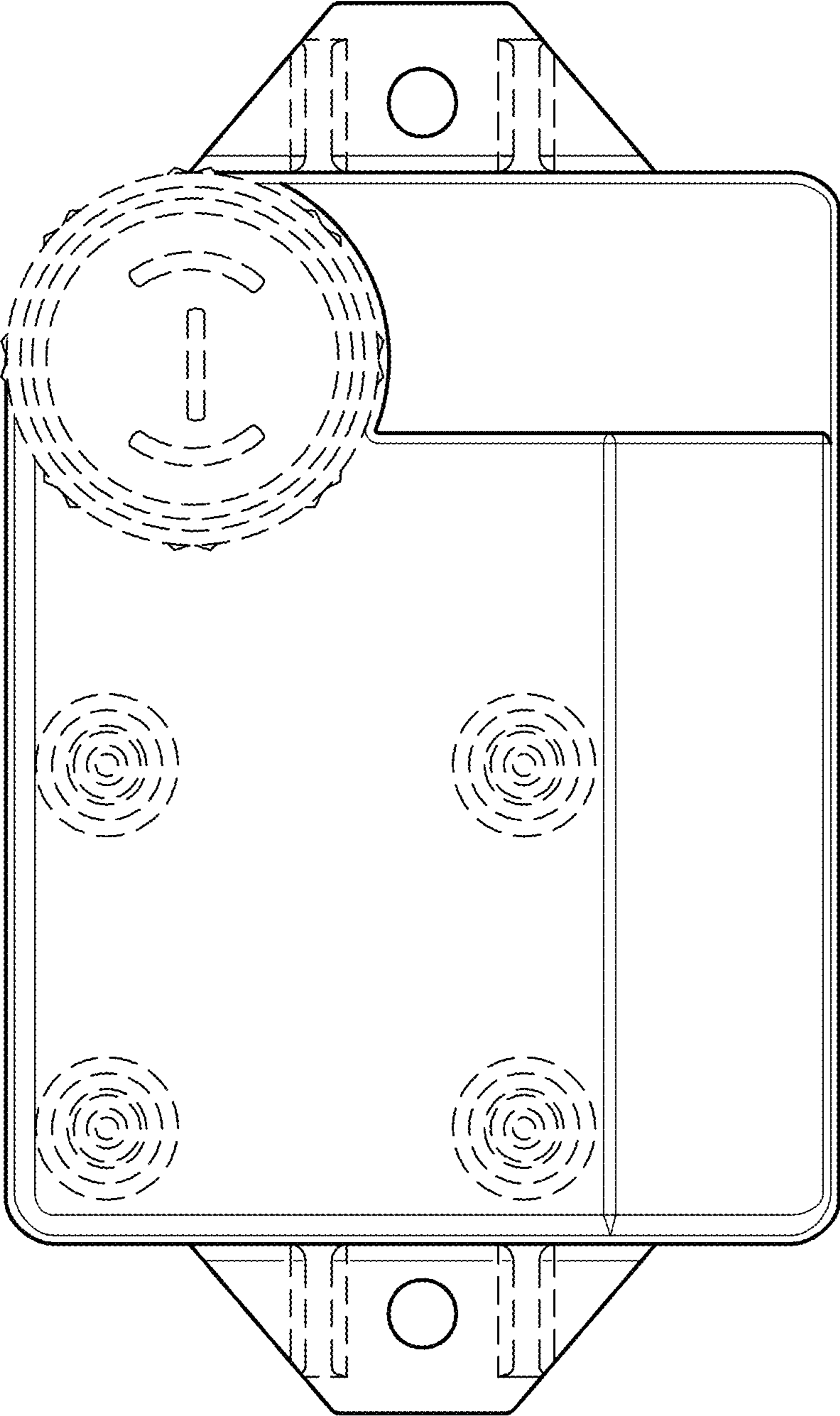


FIGURE 3

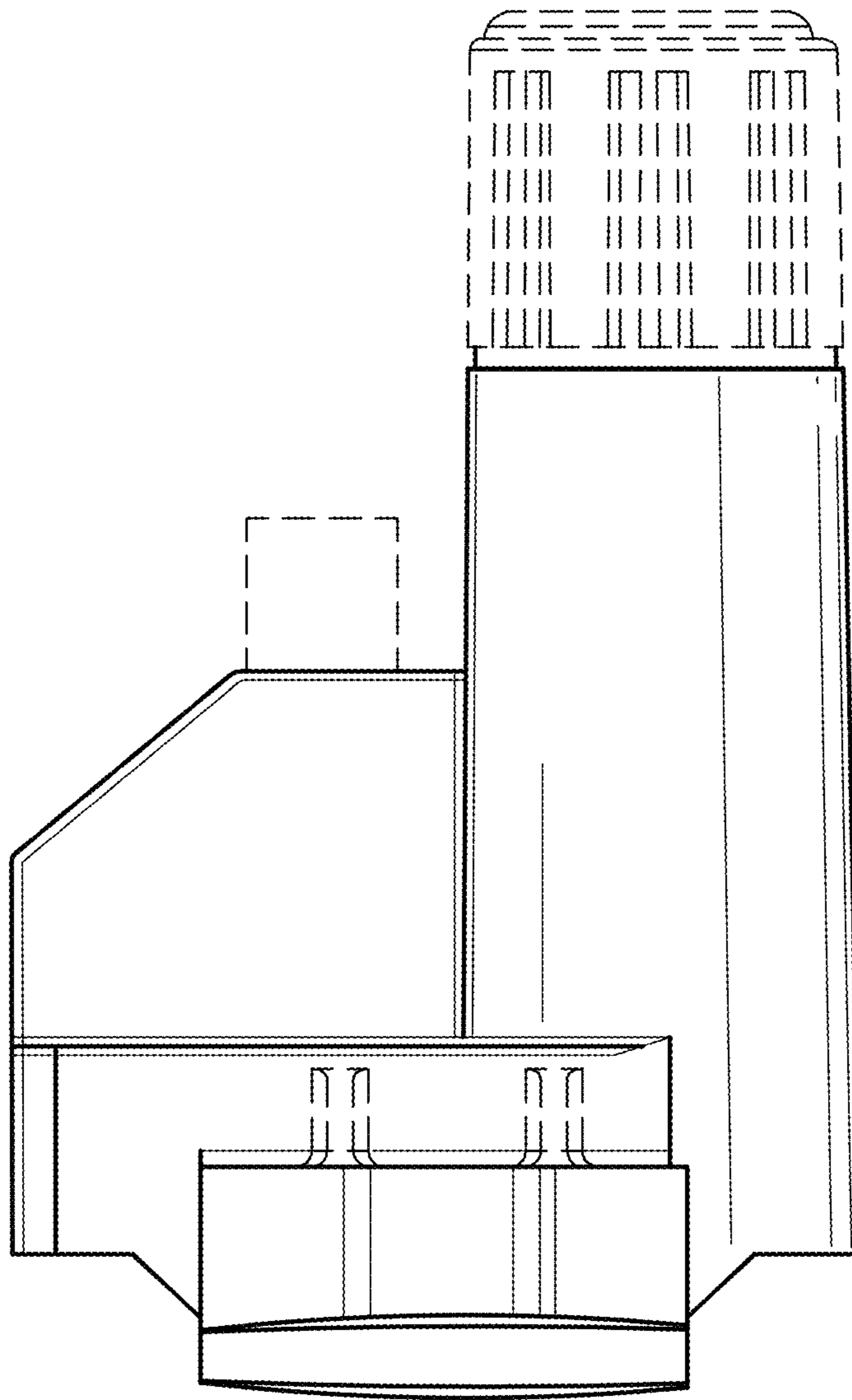


FIGURE 4

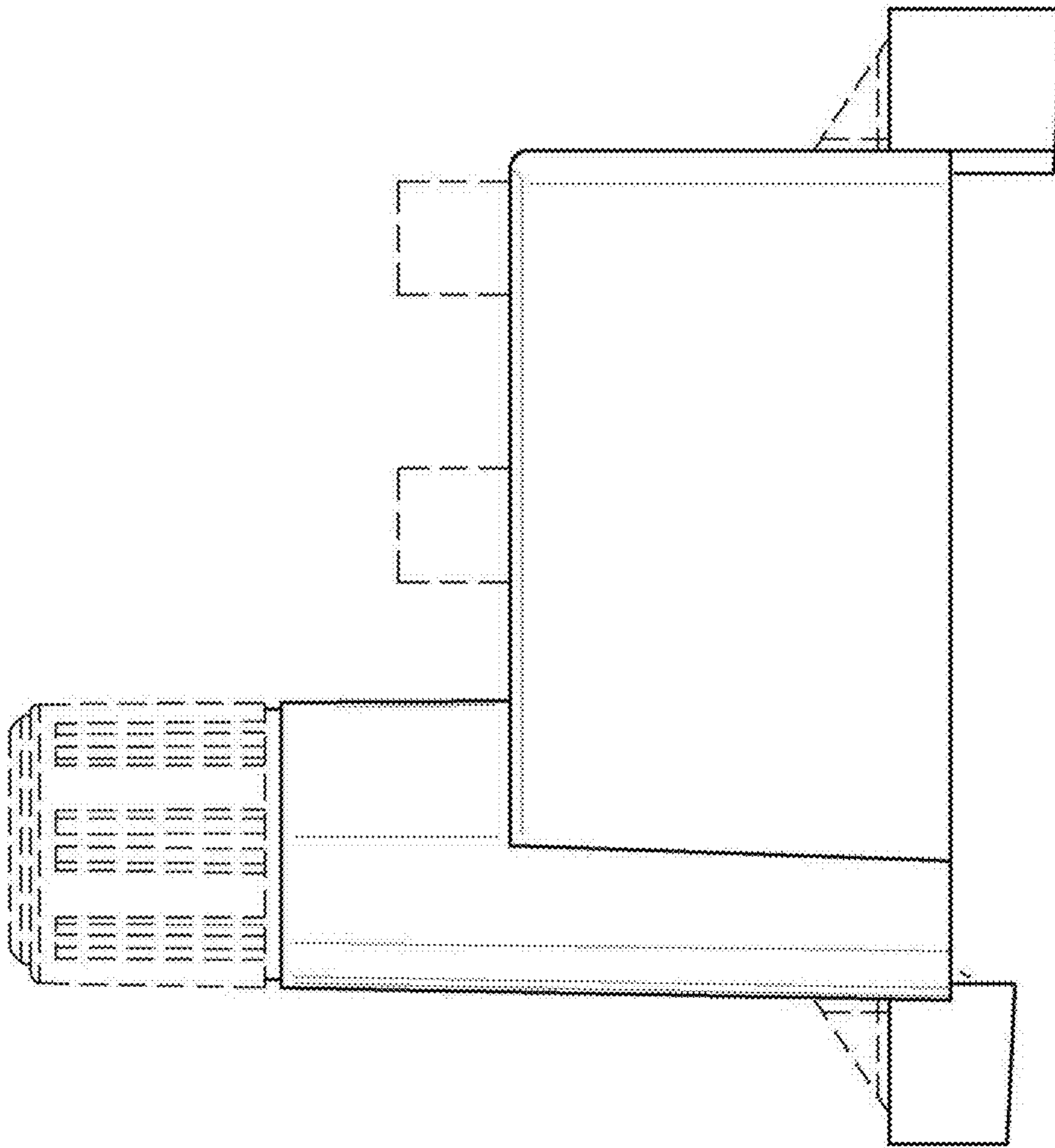


FIG. 5

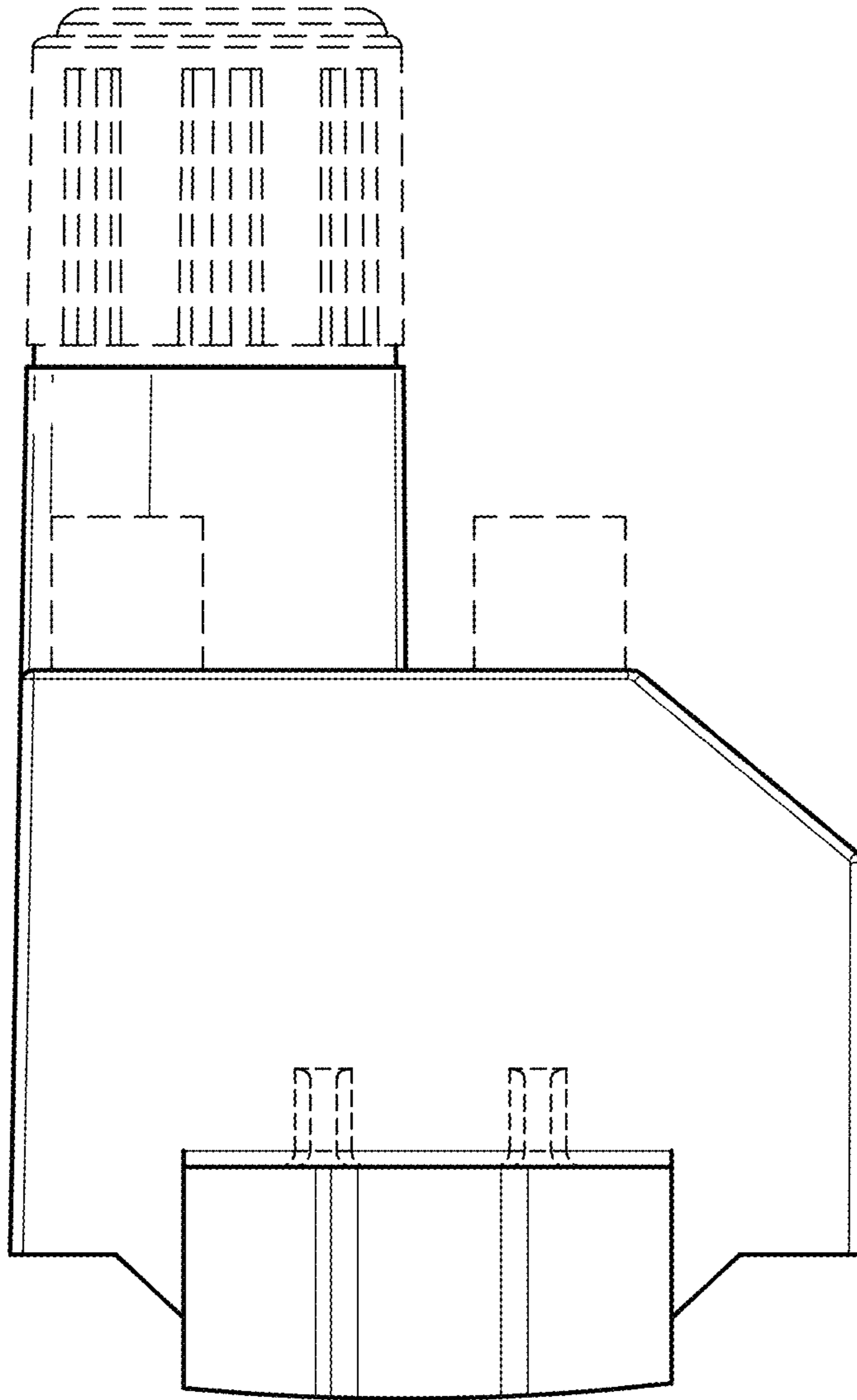


FIGURE 6

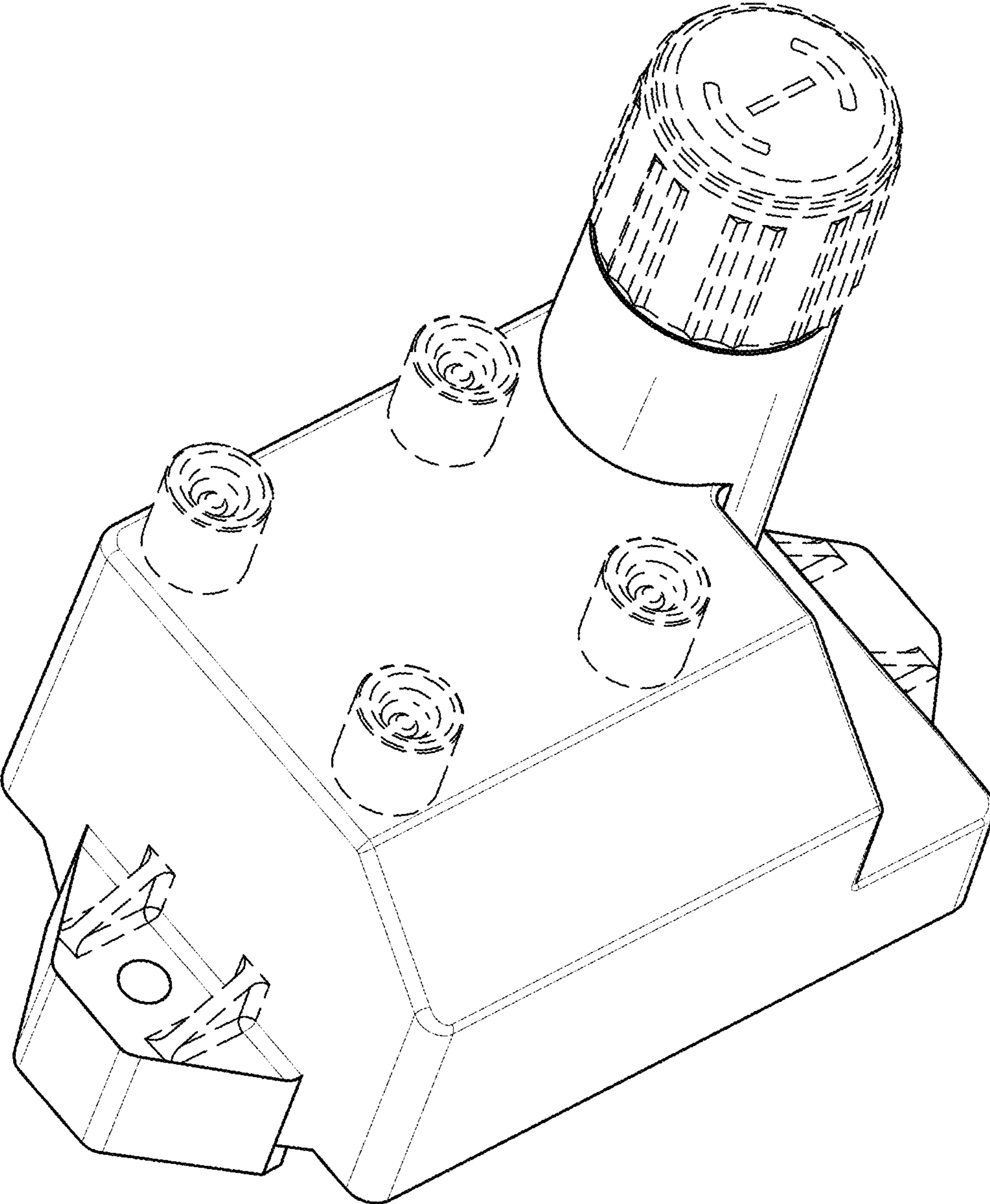


FIGURE 7