



US00D791700S

(12) **United States Design Patent**
Loewen

(10) **Patent No.:** **US D791,700 S**
(45) **Date of Patent:** **** Jul. 11, 2017**

(54) **PORTABLE ELECTRONIC CHARGING STATION**

(71) Applicant: **Joanne Loewen**, Lutz, FL (US)
(72) Inventor: **Joanne Loewen**, Lutz, FL (US)
(73) Assignee: **BIBICORD, INC.**, Lutz, FL (US)

(**) Term: **15 Years**

(21) Appl. No.: **29/566,617**

(22) Filed: **Jun. 1, 2016**

(51) **LOC (10) Cl.** **13-02**

(52) **U.S. Cl.**
USPC **D13/108**

(58) **Field of Classification Search**
USPC D13/107-110, 118, 119, 184; D14/251, D14/253, 432, 434
CPC Y02E 60/12; Y02T 90/14; Y02T 90/122; Y02T 90/128; Y02T 90/163; H02J 7/025; H02J 7/0042; H02J 7/0044; H02J 7/0045; H02J 7/0003; H01F 38/14; H01R 13/6675; H01M 2/1022; H01M 2/1055; H01M 10/44; H01M 10/46; H01M 10/425; B60L 11/182
See application file for complete search history.

(56) **References Cited**

U.S. PATENT DOCUMENTS

D118,597 S *	1/1940	Knauss	D13/103
D609,636 S *	2/2010	Jensen	D13/108
D659,093 S *	5/2012	Schmid	D13/108
D668,285 S *	10/2012	Sakamoto	D16/235
D700,571 S *	3/2014	Guccione	D13/108
D721,335 S *	1/2015	Smeja	D13/155
D742,823 S *	11/2015	Nitz	D13/103
D749,504 S *	2/2016	Jeong	D13/108

D752,588 S *	3/2016	Li	D14/385
D757,011 S *	5/2016	Sakai	D14/433
D773,437 S *	12/2016	Lee	D14/223
D777,100 S *	1/2017	Price	D13/103
2016/0043584 A1*	2/2016	Sun	H01M 2/1044 320/107
2016/0380446 A1*	12/2016	Loewen	H02J 7/0045 320/107

* cited by examiner

Primary Examiner — Rosemary K Tarcza

Assistant Examiner — Alison Ofstun

(74) *Attorney, Agent, or Firm* — Gary L. Eastman, Esq.; Eastman & McCartney LLP

(57) **CLAIM**

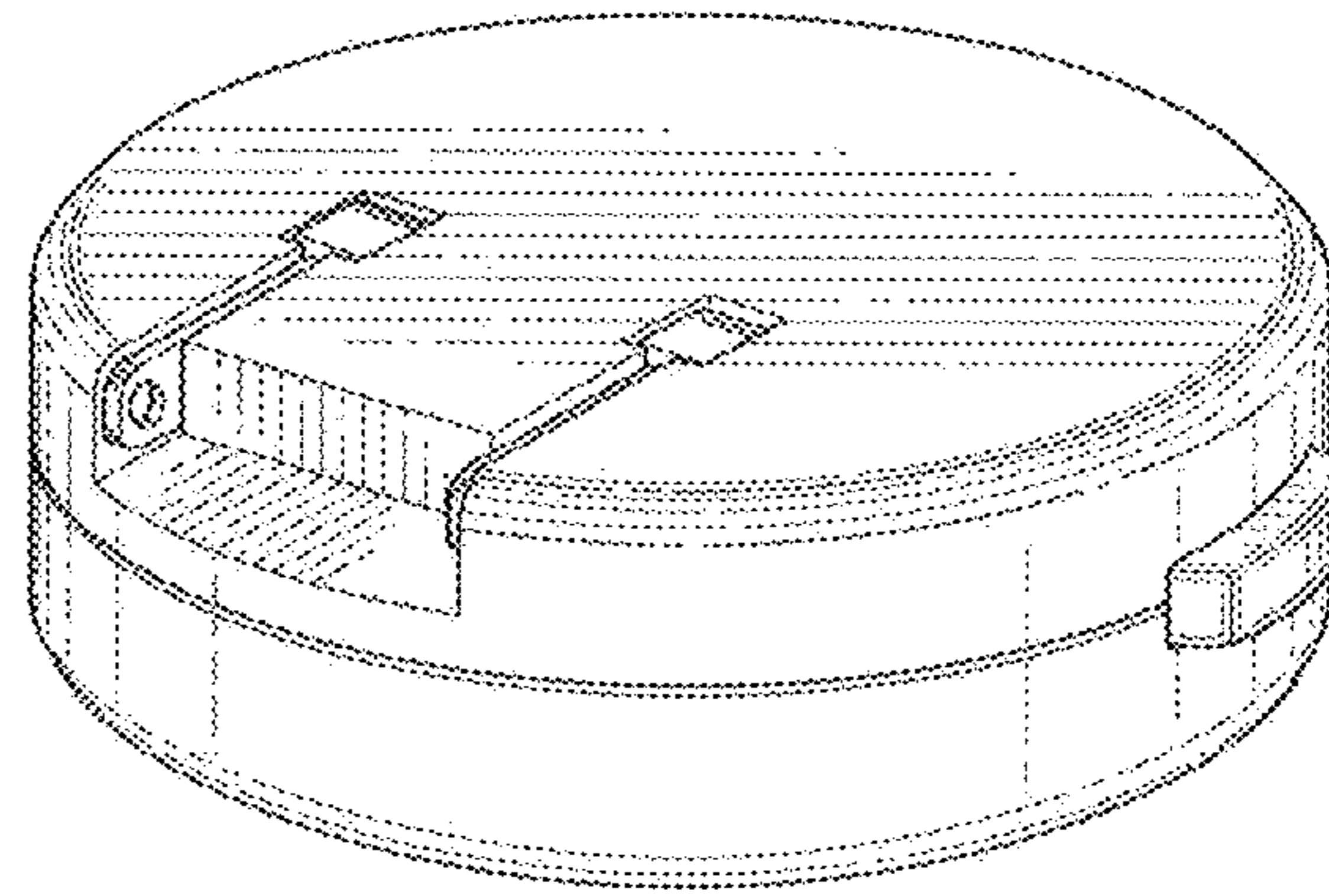
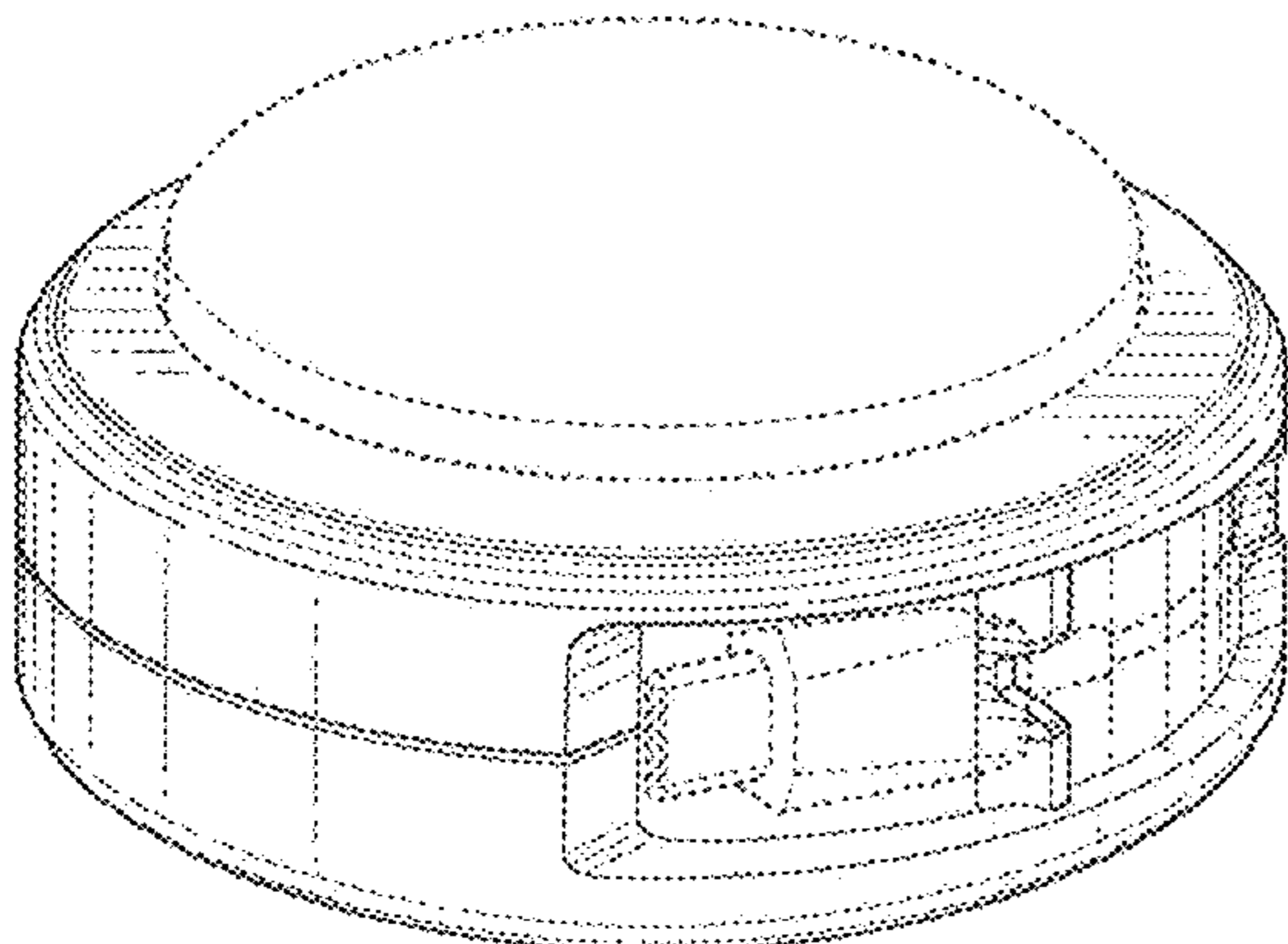
The ornamental design for a portable electronic charging station, as shown and described.

DESCRIPTION

FIG. 1 is a top perspective view of the portable electronic charging station;
FIG. 2 is a bottom view of the portable electronic charging station;
FIG. 3 is a front view of the portable electronic charging station;
FIG. 4 is a back view of the portable electronic charging station;
FIG. 5 is a right side view of the portable electronic charging station;
FIG. 6 is a left side view of the portable electronic charging station;
FIG. 7 is a bottom view of the portable electronic charging station; and,
FIG. 8 is a top view of the portable electronic charging station.

The broken lines present in the figures are included for the purpose of illustrating portions of the article that form no part of the claimed design.

1 Claim, 4 Drawing Sheets



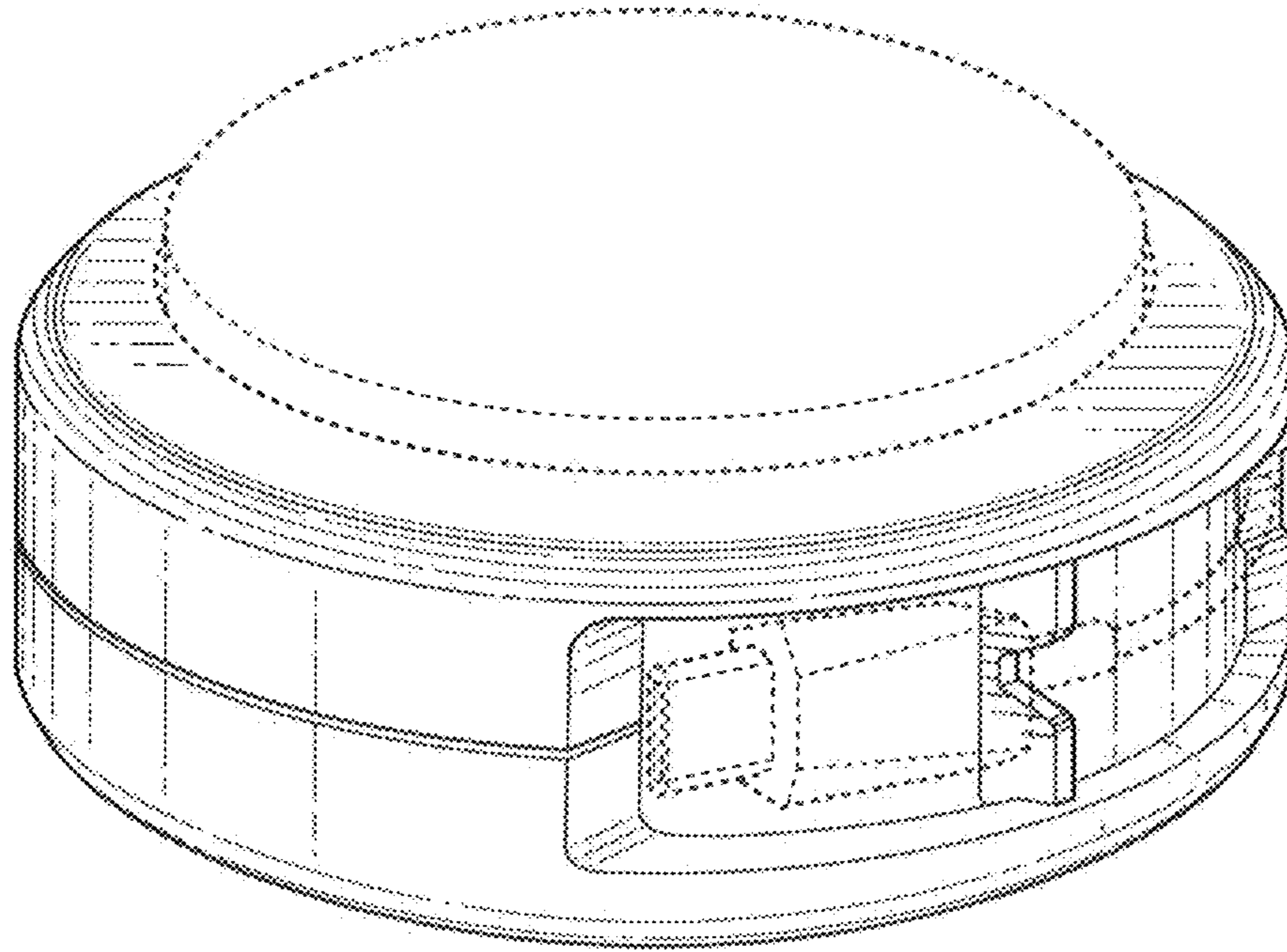


FIG. 1

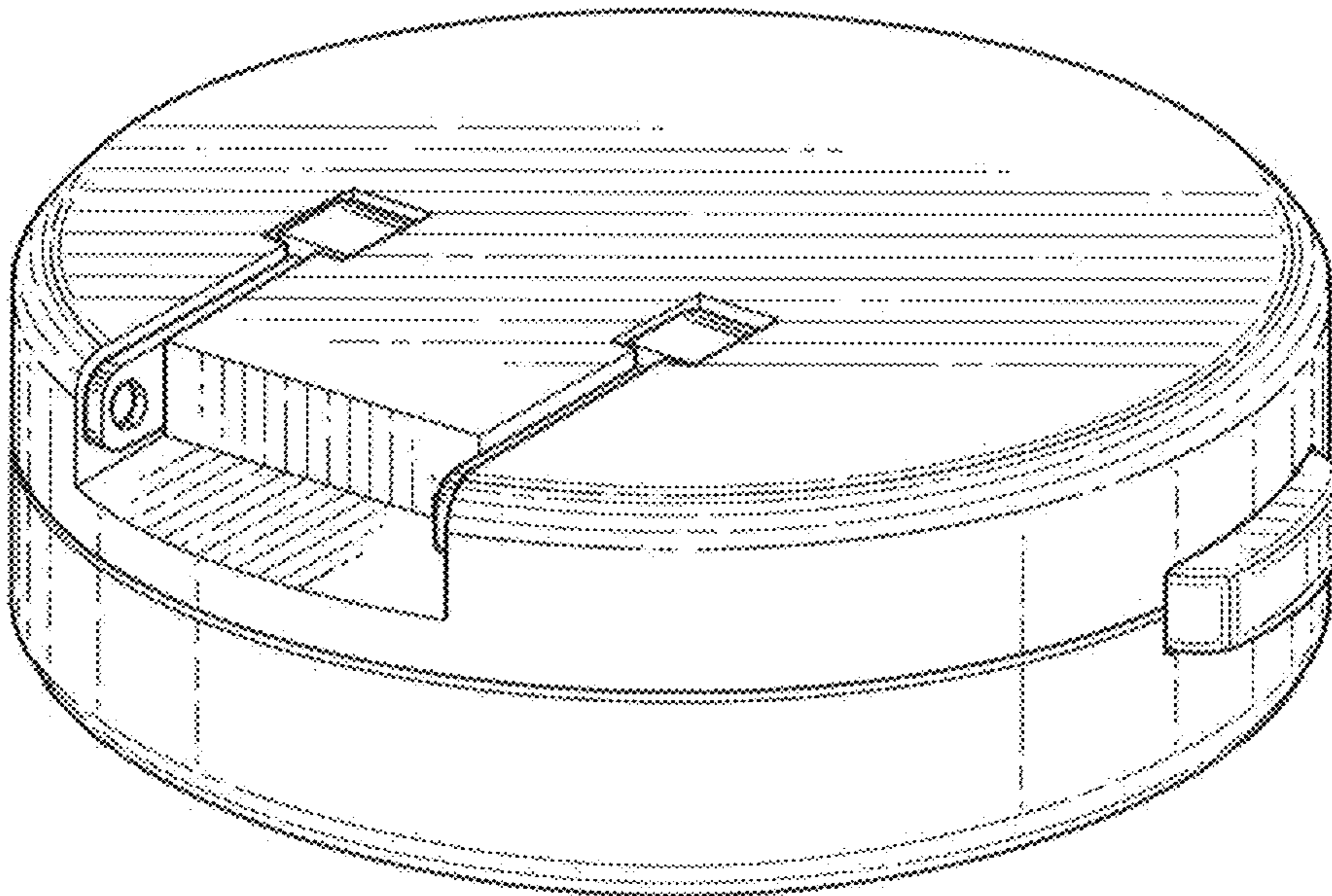


FIG. 2

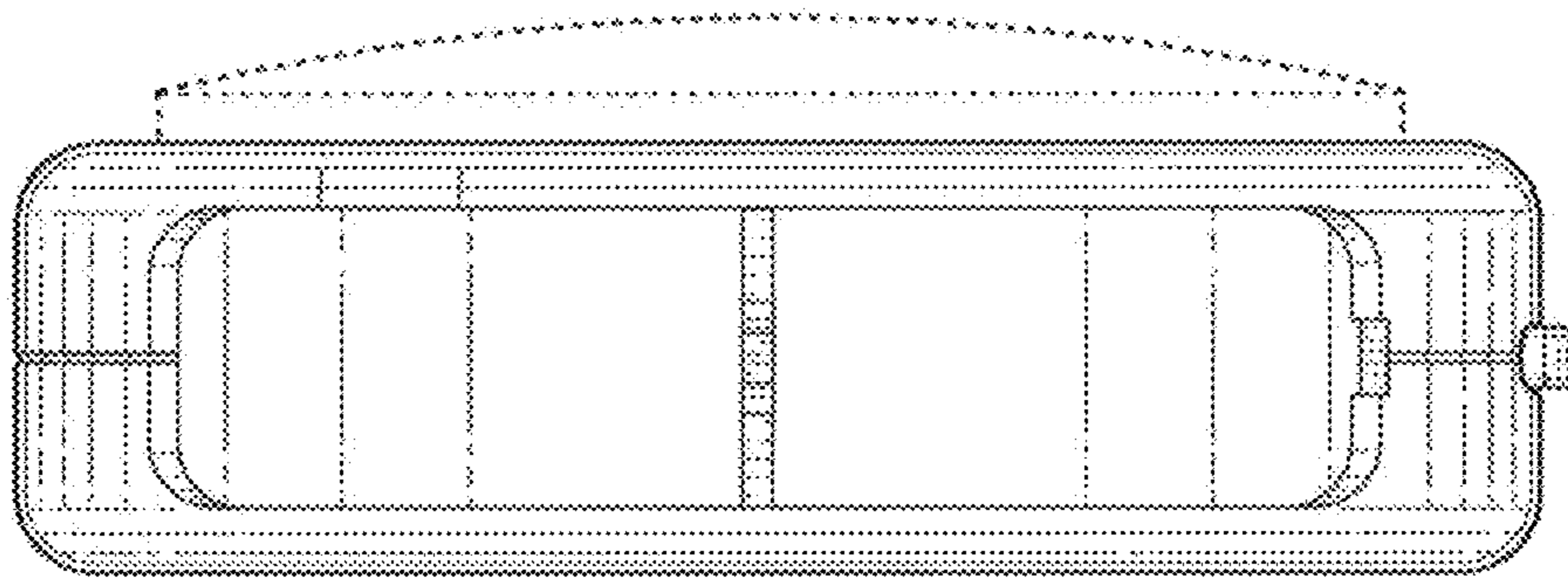


FIG. 3

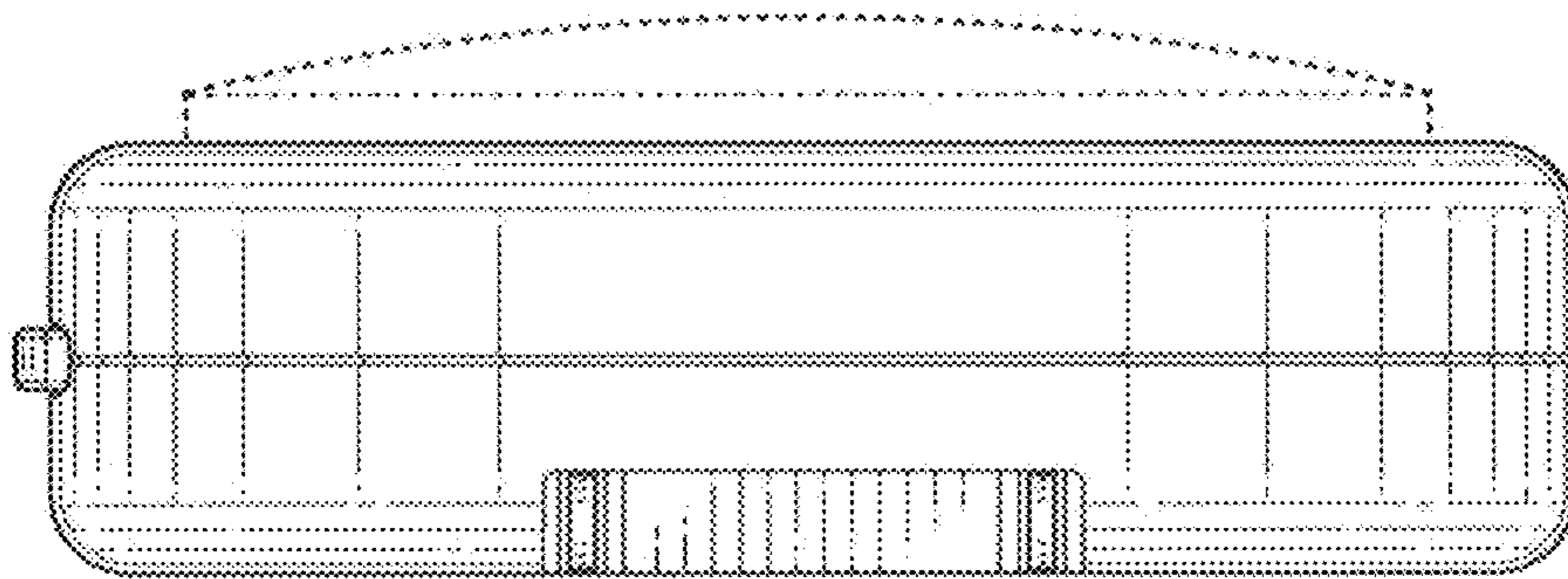


FIG. 4

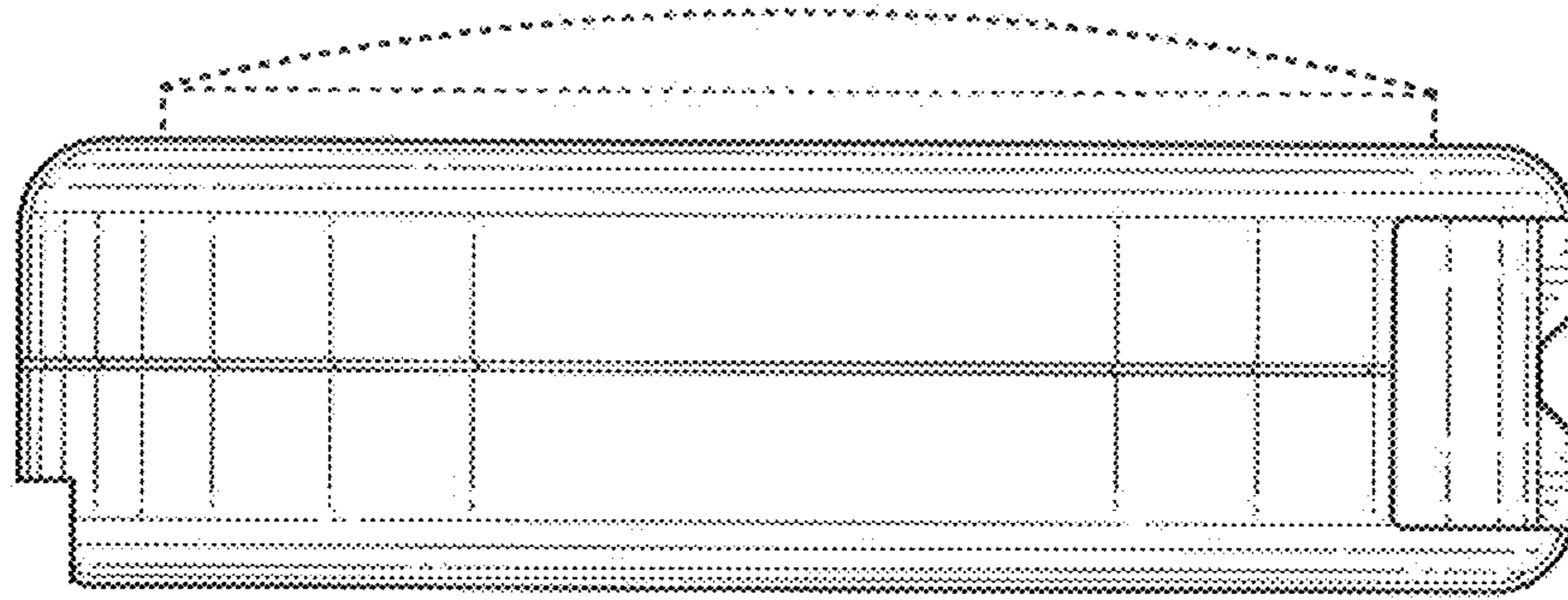


FIG. 5

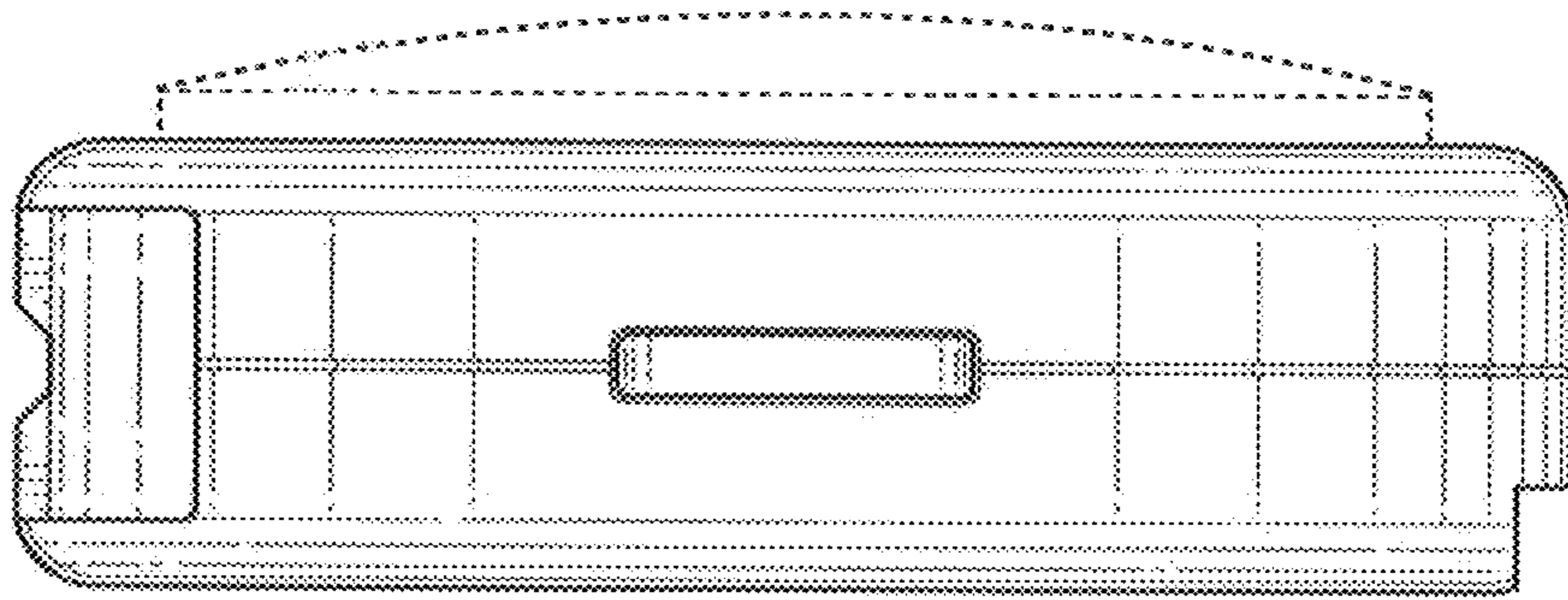


FIG. 6

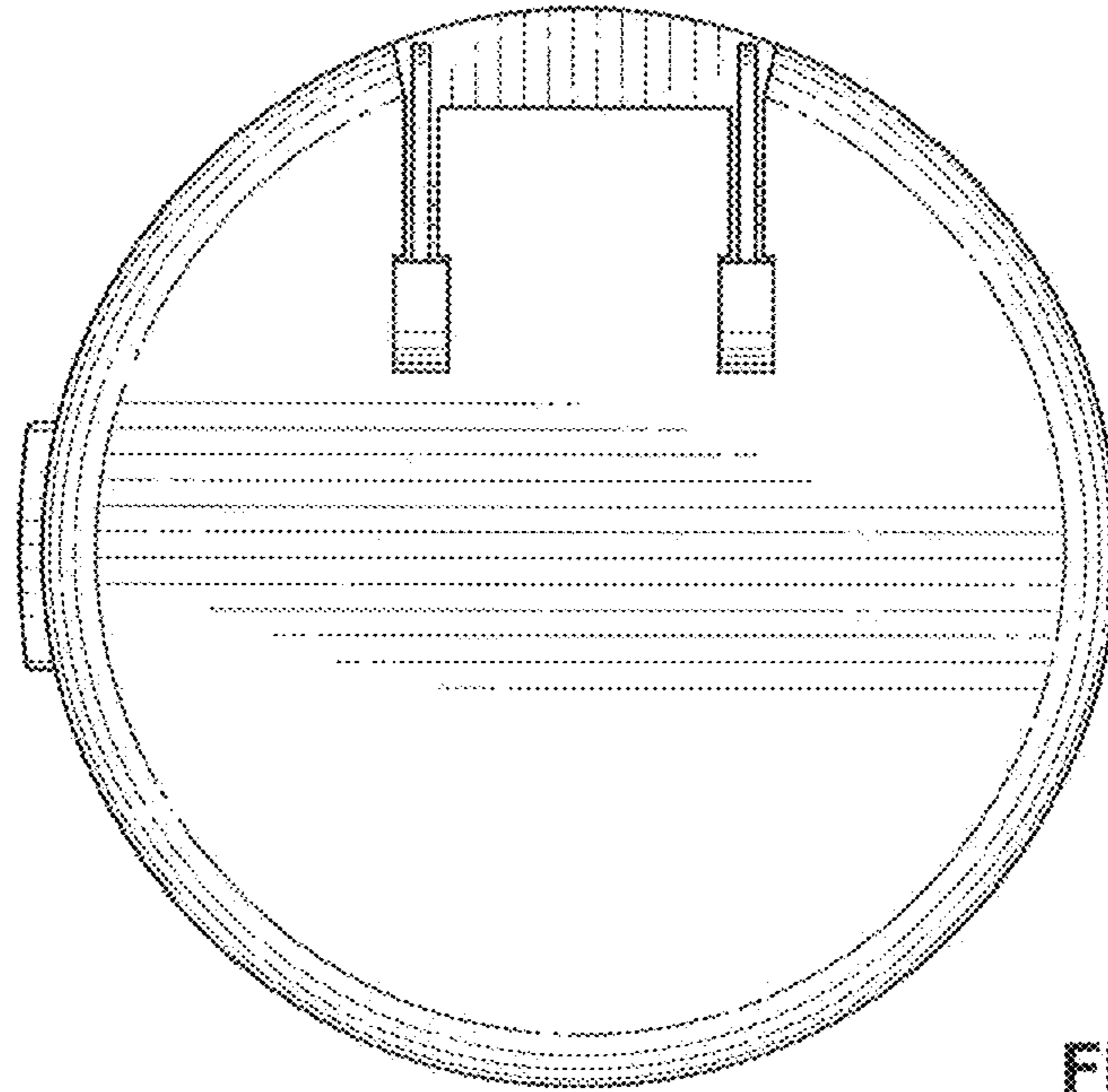


FIG. 7

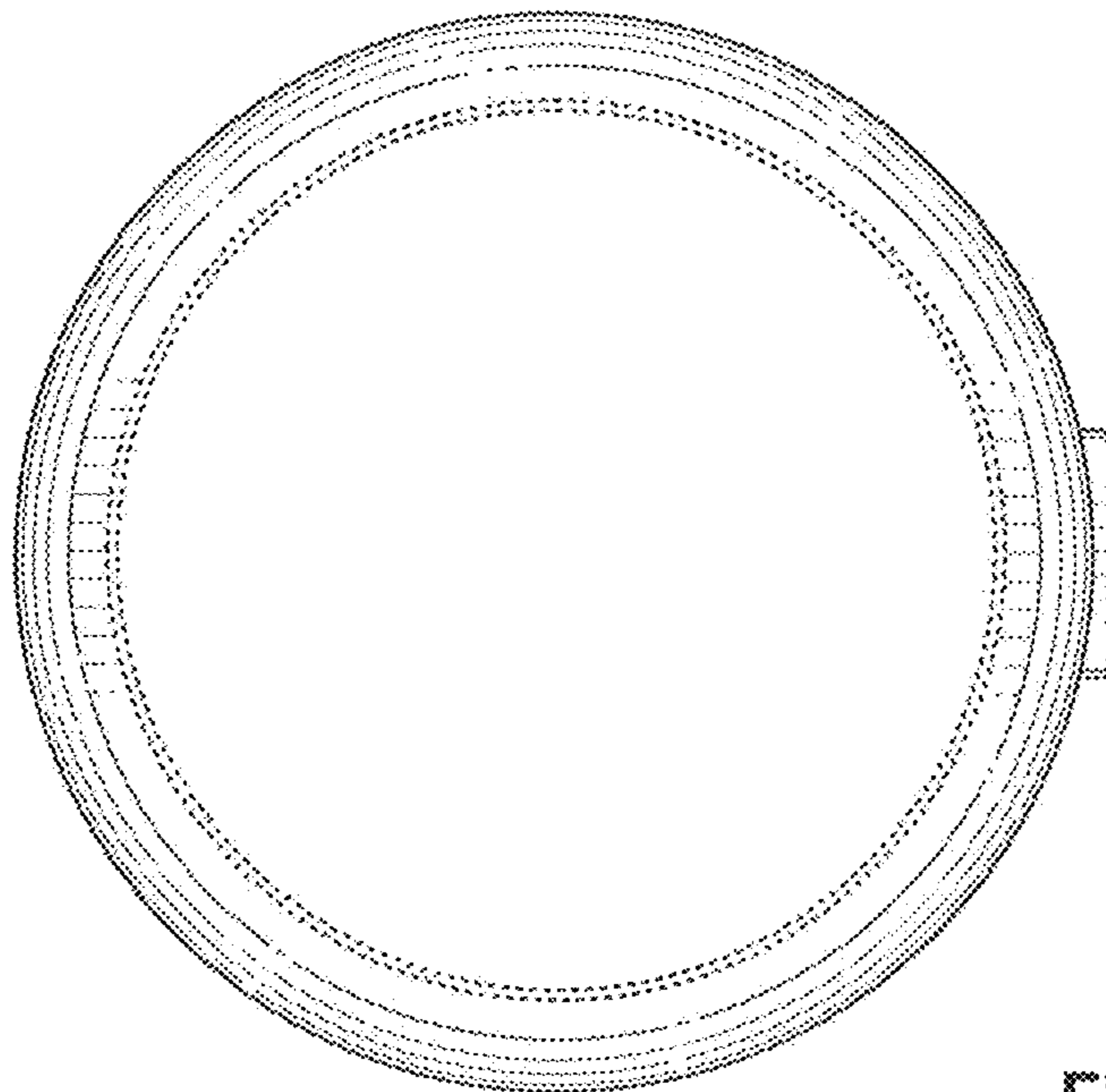


FIG. 8