



US00D791698S

(12) **United States Design Patent**  
**Kim et al.**

(10) **Patent No.:** **US D791,698 S**  
(45) **Date of Patent:** **\*\* Jul. 11, 2017**

(54) **CHARGER FOR MOBILE PHONE**

(71) Applicant: **LG ELECTRONICS INC.**, Seoul  
(KR)

(72) Inventors: **Sungwoo Kim**, Seoul (KR); **Jonghak Lee**, Seoul (KR); **Seunghyun Ji**, Seoul (KR)

(73) Assignee: **LG ELECTRONICS INC.**, Seoul (KR)

(\*\*) Term: **15 Years**

(21) Appl. No.: **29/534,909**

(22) Filed: **Jul. 31, 2015**

(30) **Foreign Application Priority Data**

Feb. 2, 2015 (KR) ..... 30-2015-0005719

(51) **LOC (10) Cl.** ..... **13-02**

(52) **U.S. Cl.**  
USPC ..... **D13/108**

(58) **Field of Classification Search**  
USPC ..... D13/107, 108, 109, 110, 118, 119, 184;  
D14/240, 253, 432, 434  
CPC ..... Y02E 60/12; Y02T 90/14; Y02T 90/122;  
Y02T 90/128; Y02T 90/163; H02J 7/025;  
H02J 7/0042; H02J 7/0044; H02J 7/0045;  
H02J 7/0003; H01F 38/14; H01R  
13/6675; H01M 2/1022; H01M 2/1055;  
H01M 10/44; H01M 10/46; H01M  
10/425; B60L 11/182  
See application file for complete search history.

(56) **References Cited**

**U.S. PATENT DOCUMENTS**

D546,283 S \* 7/2007 Cho ..... D13/110  
D634,268 S \* 3/2011 Reishus ..... D13/108  
D656,096 S \* 3/2012 Sasada ..... D13/108  
D673,110 S \* 12/2012 Sasada ..... D13/108  
D696,190 S \* 12/2013 Brandtman ..... D13/108

D702,639 S \* 4/2014 Ruffner ..... D13/110  
D704,634 S \* 5/2014 Eidelman ..... D13/108  
D706,212 S \* 6/2014 Zwierstra ..... D13/107  
D720,289 S \* 12/2014 Chiang ..... D13/108  
D725,034 S \* 3/2015 Chen ..... D13/108  
D735,131 S \* 7/2015 Akana ..... D13/108  
D737,760 S \* 9/2015 Kyriakoulis ..... D13/108  
D738,823 S \* 9/2015 Chen ..... D13/108

**FOREIGN PATENT DOCUMENTS**

CN 303478715 \* 12/2015  
CN 303531347 \* 12/2015

**OTHER PUBLICATIONS**

Wireless Accessories. <URL: <https://www.wirelessaccessories.com/products/high-powered-15-watt-3-amp-micro-usb-type-c-retractable-home-phone-charger>>. Visited Feb. 14, 2017. Retractable Home Phone Charger.\*

\* cited by examiner

*Primary Examiner* — Bridget L Eland

*Assistant Examiner* — Lauren McVey

(74) *Attorney, Agent, or Firm* — Birch, Stewart, Kolasch & Birch, LLP

(57) **CLAIM**

The ornamental design for a charger for mobile phone, as shown and described.

**DESCRIPTION**

FIG. 1 is a perspective view of a charger for mobile phone showing our new design:

FIG. 2 is a front view thereof, the rear view being a mirror image thereof;

FIG. 3 is a left side view thereof;

FIG. 4 is a right side view thereof;

FIG. 5 is a top plan view thereof;

FIG. 6 is a bottom plan view thereof; and,

FIG. 7 is another perspective view thereof, shown in an alternate state.

**1 Claim, 6 Drawing Sheets**

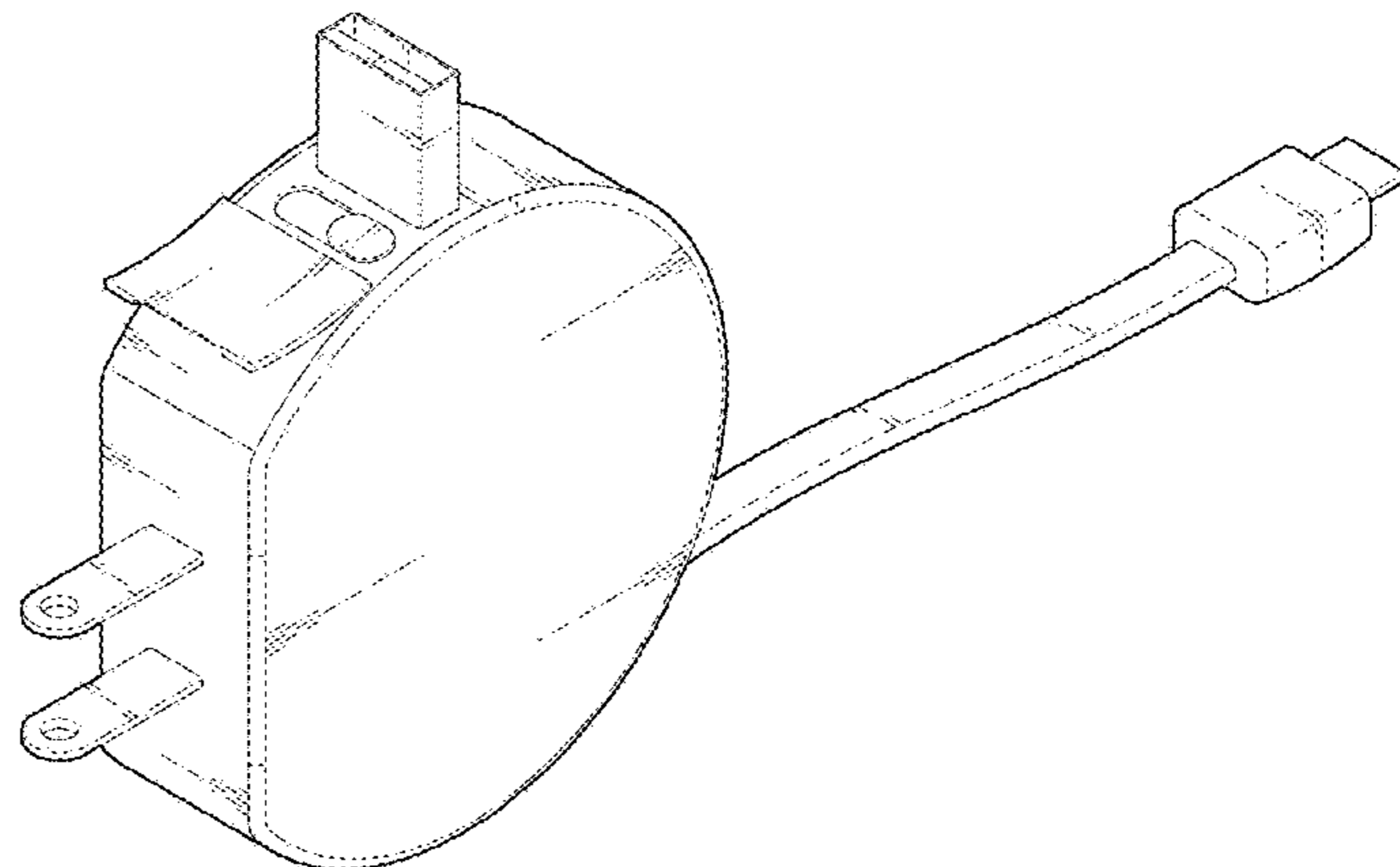
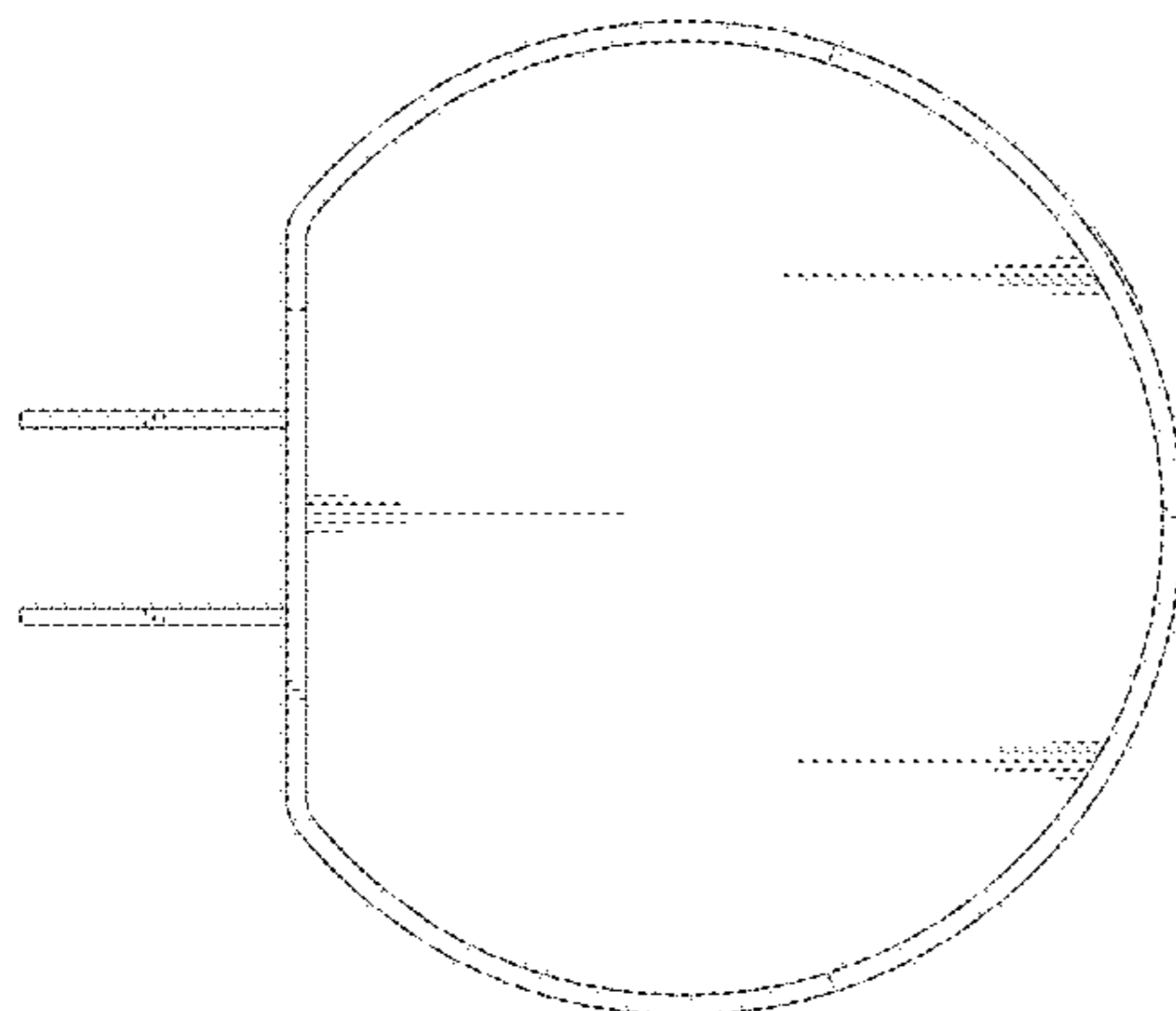


FIG. 1

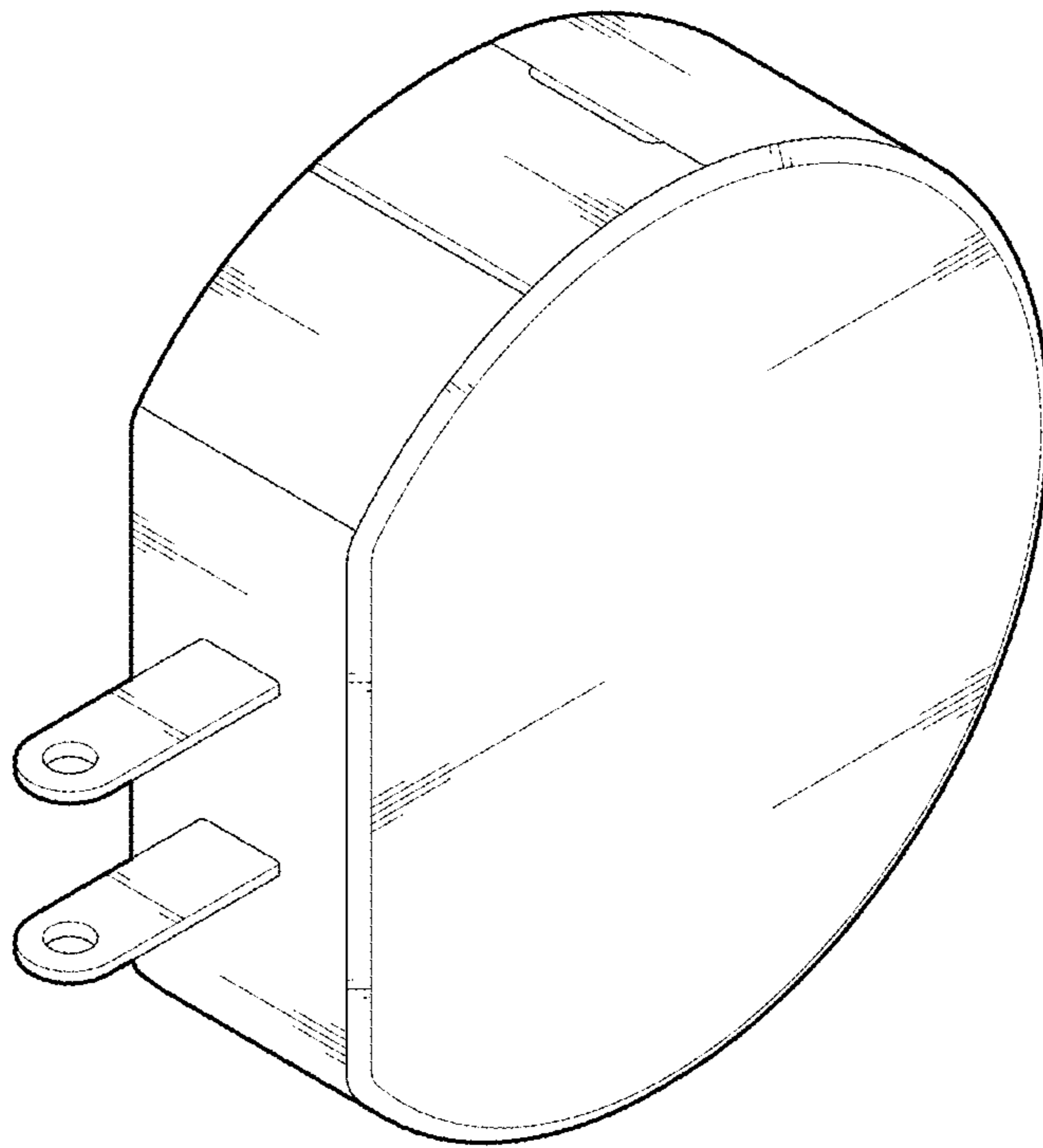


FIG. 2

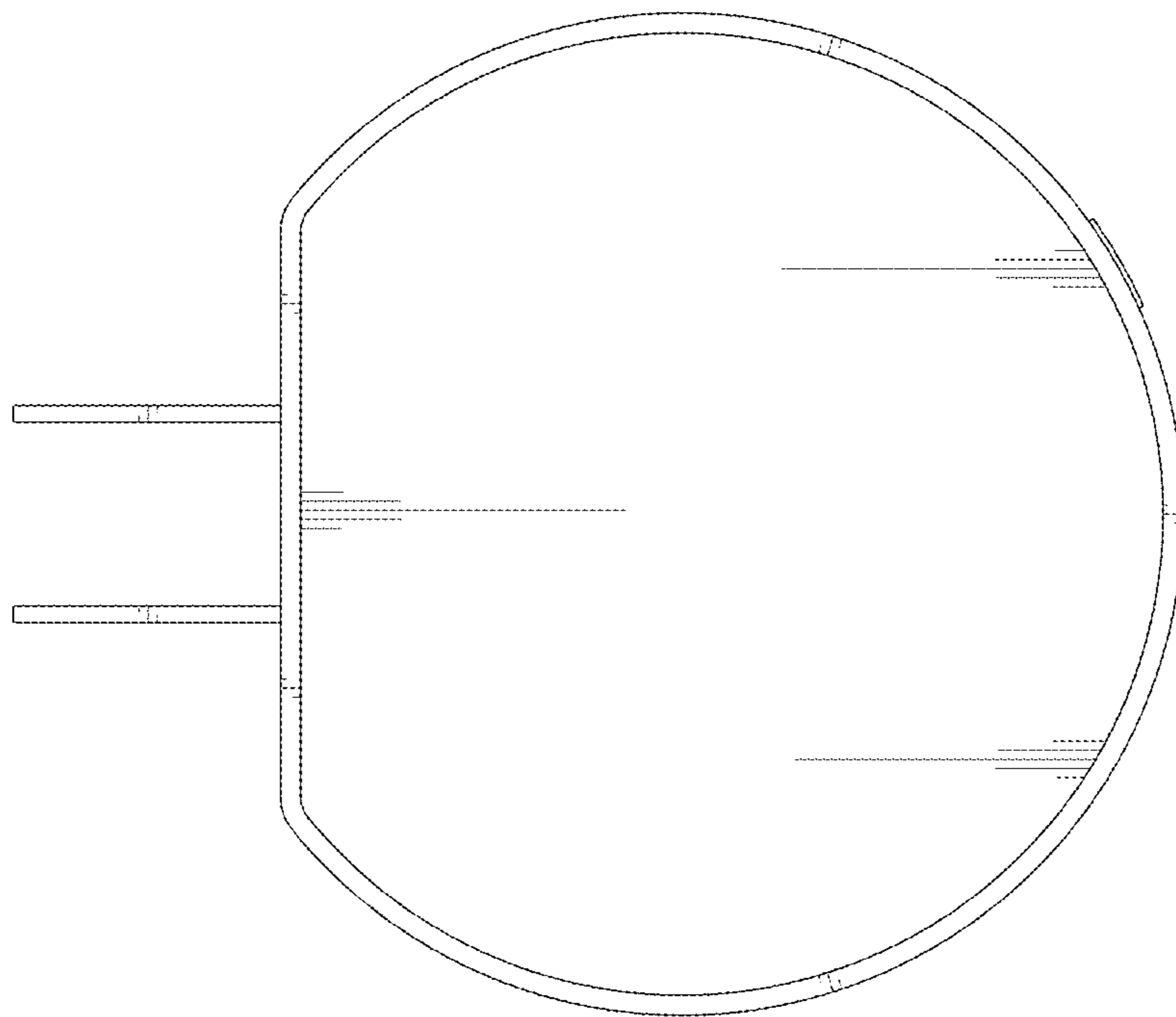


FIG. 3

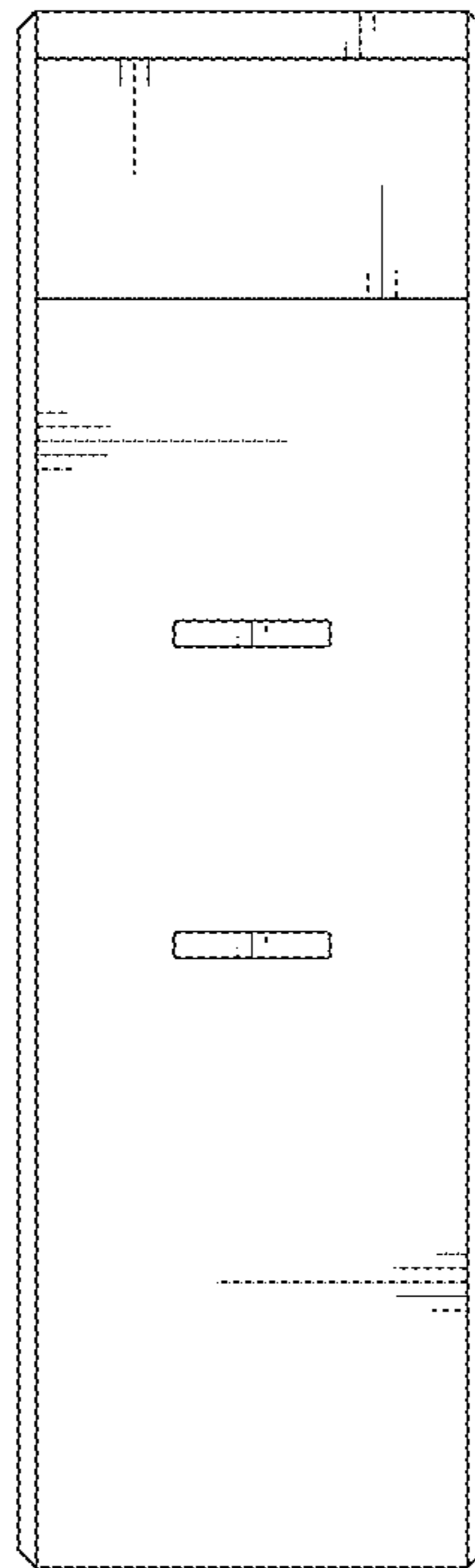


FIG. 4

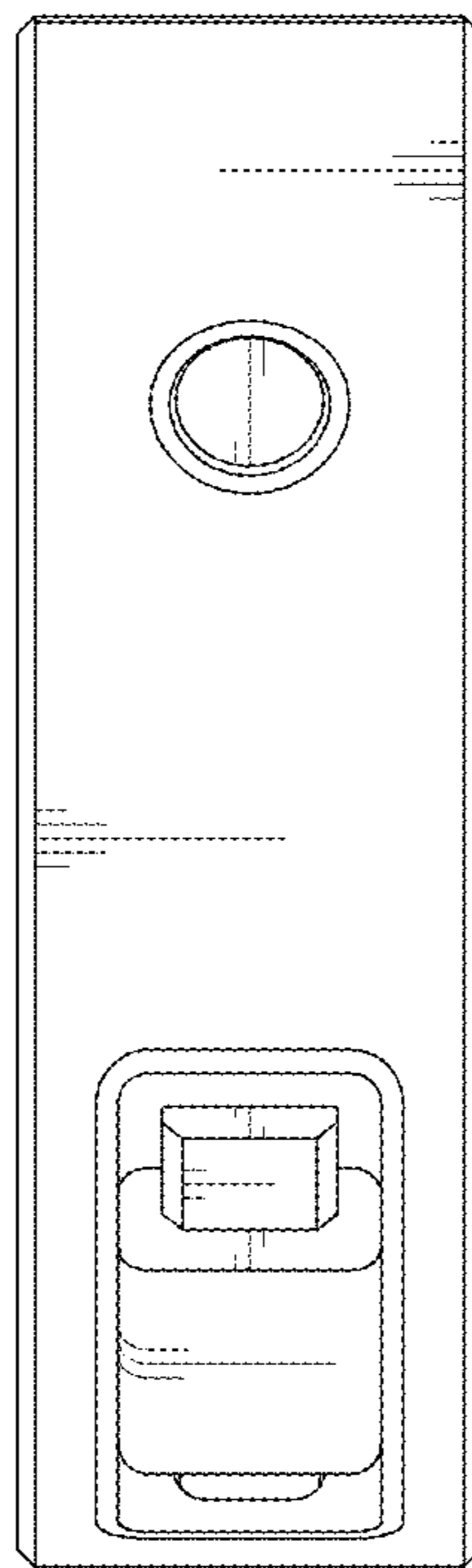


FIG. 5

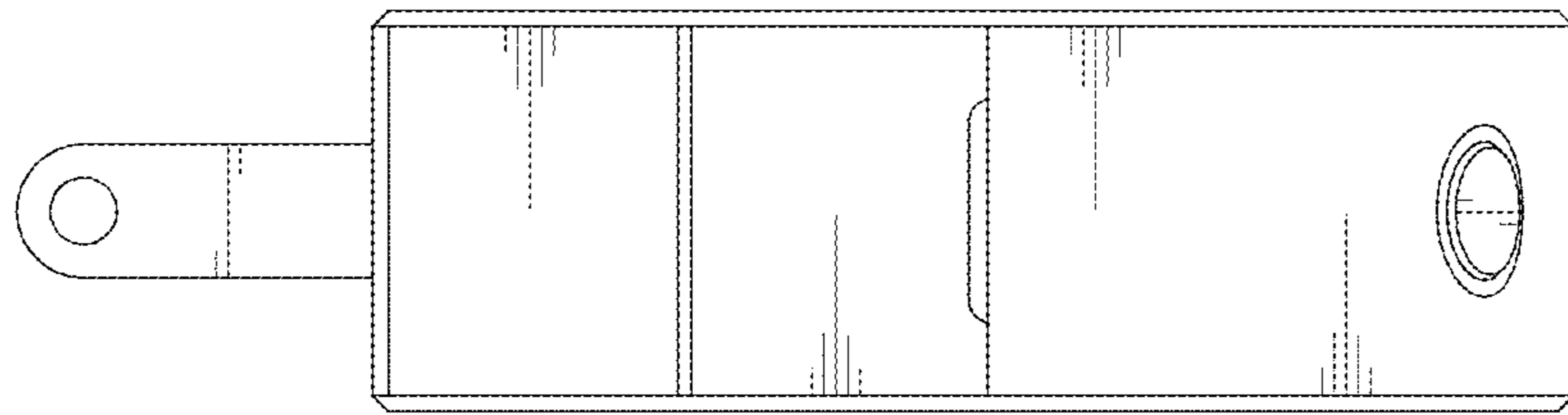


FIG. 6

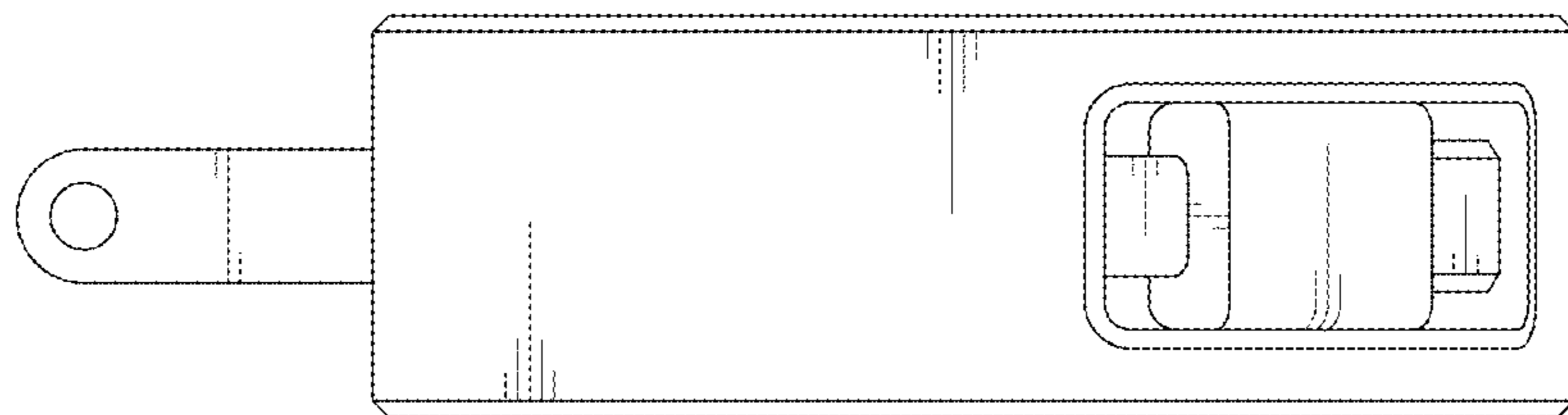


FIG. 7

