



US00D791697S

(12) **United States Design Patent**  
**Precheur**

(10) **Patent No.:** **US D791,697 S**  
(45) **Date of Patent:** **\*\* Jul. 11, 2017**

(54) **CHARGER**

- (71) Applicant: **Asian Express Holdings Limited**,  
Mongkok, Kowloon (HK)
- (72) Inventor: **Harry David Precheur**, Naples, FL  
(US)
- (73) Assignee: **Asian Express Holdings Limited**,  
Hong Kong (HK)
- (\*\*) Term: **15 Years**
- (21) Appl. No.: **29/568,960**
- (22) Filed: **Jun. 22, 2016**

**Related U.S. Application Data**

- (62) Division of application No. 29/486,776, filed on Apr. 2, 2014, now Pat. No. Des. 762,570.
- (51) **LOC (10) Cl.** ..... **13-02**
- (52) **U.S. Cl.**  
USPC ..... **D13/107**
- (58) **Field of Classification Search**  
USPC ..... D13/107-110, 118-119, 184, 199;  
D14/251, 253, 432, 434  
CPC ..... Y02E 60/12; Y02T 90/14; Y02T 90/122;  
Y02T 90/128; Y02T 90/163; H02J 7/025;  
H02J 7/0042; H02J 7/0044; H02J 7/0045;  
H02J 7/0003; H01F 38/14; H01R  
13/6675; H01M 2/1022; H01M 2/1055;  
H01M 10/44;

(Continued)

(56) **References Cited**

**U.S. PATENT DOCUMENTS**

- D247,619 S 3/1978 Edgell et al.
- D339,563 S 9/1993 Usami
- D367,257 S 2/1996 Buelow et al.

(Continued)

**FOREIGN PATENT DOCUMENTS**

- CN 202772634 3/2013
- CN 203481857 3/2014

(Continued)

**OTHER PUBLICATIONS**

Janet Cloninger, You can forget the phone charger with this iPhone case, [www.the-gadgeteer.com/2014/02/03/you-can-forget-the-phone-charger-with-this-iphone-case/](http://www.the-gadgeteer.com/2014/02/03/you-can-forget-the-phone-charger-with-this-iphone-case/), Feb. 3, 2014.

(Continued)

*Primary Examiner* — Rosemary K Tarcza

(74) *Attorney, Agent, or Firm* — Knobbe, Martens, Olson & Bear, LLP

(57) **CLAIM**

The ornamental design for a charger, as shown and described.

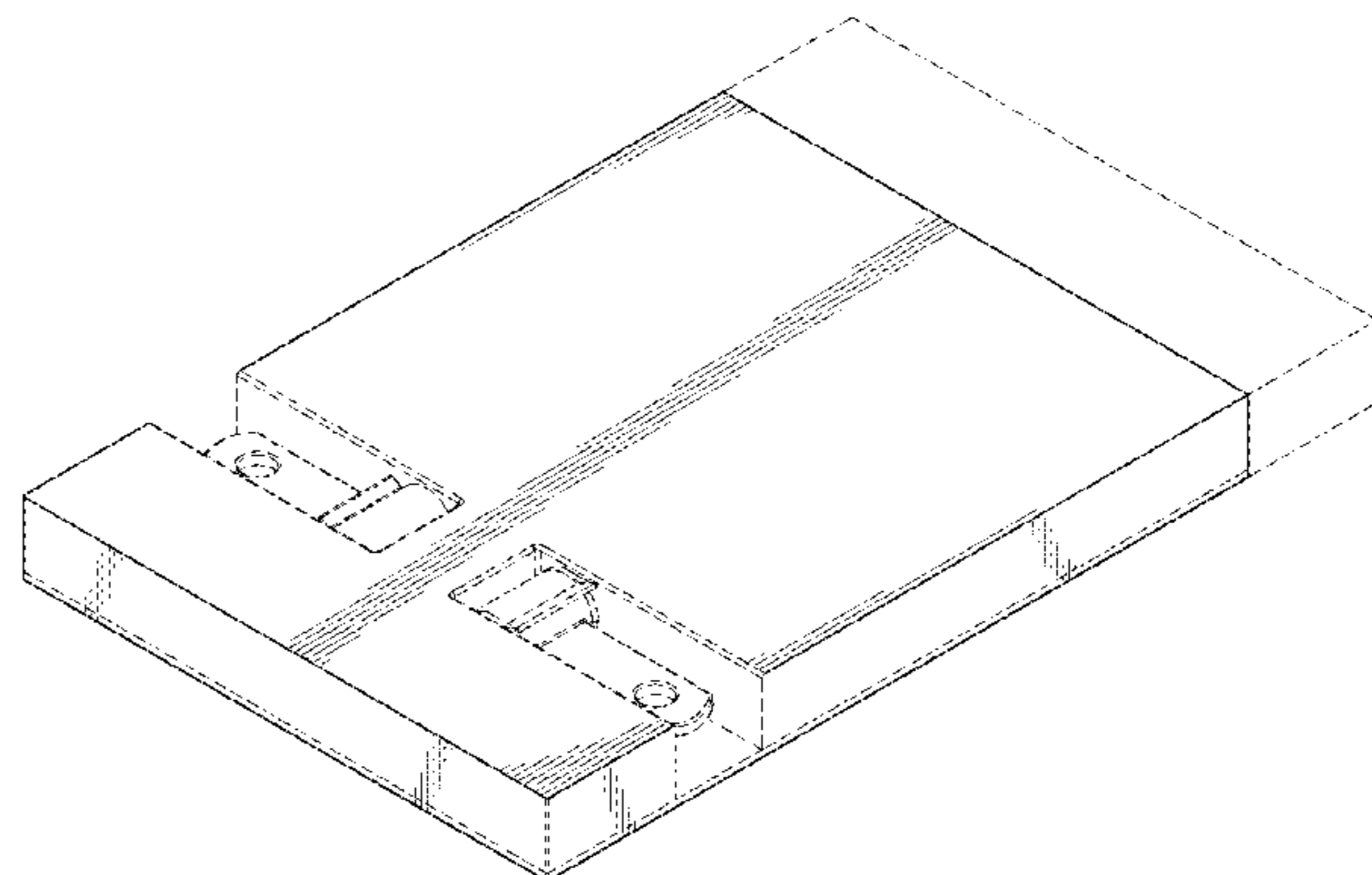
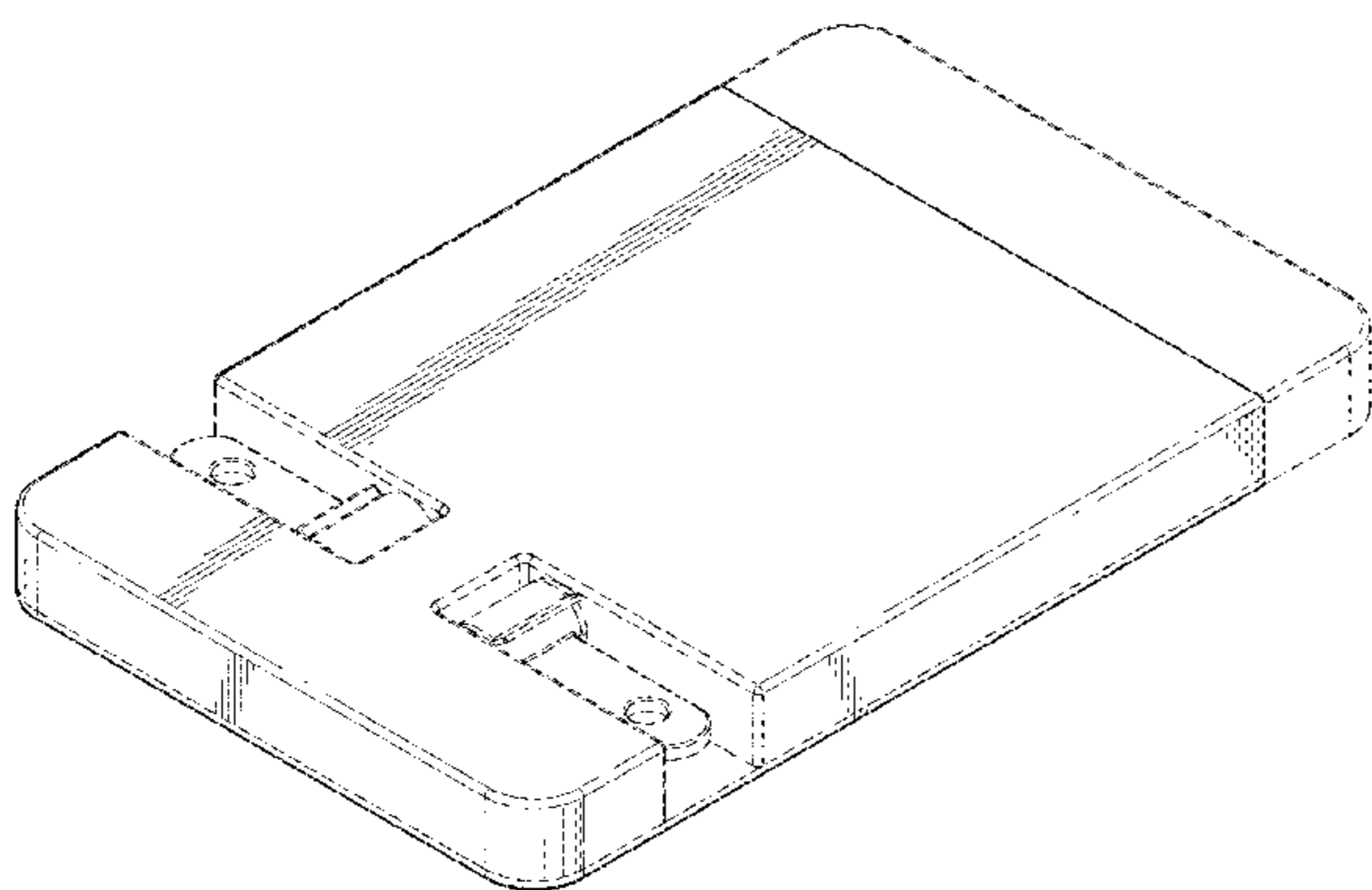
**DESCRIPTION**

FIG. 1 is a bottom perspective view of a charger thereof showing an embodiment of my new design; FIG. 2 is a top perspective view thereof; FIG. 3 is a front elevational view thereof; FIG. 4 is a left side elevational view thereof, the right side elevational view being a mirror image thereof; FIG. 5 is a bottom plan view thereof; and FIG. 6 is a top plan view thereof.

FIG. 7 is a bottom perspective view of a charger thereof showing another embodiment of my new design; FIG. 8 is a top perspective view thereof; FIG. 9 is a front elevational view thereof; FIG. 10 is a left side elevational view thereof, the right side elevational view being a mirror image thereof; FIG. 11 is a bottom plan view thereof; and, FIG. 12 is a top plan view thereof.

The broken lines in the Figures show portions of the charger which form no part of the claimed design.

**1 Claim, 6 Drawing Sheets**



(58) **Field of Classification Search**  
 CPC ... H01M 10/46; H01M 10/425; B60L 11/182  
 See application file for complete search history.

2004/0212343	A1	10/2004	Sakai
2005/0269987	A1	12/2005	Lin
2007/0210749	A1	9/2007	Hsieh
2011/0097911	A1	4/2011	Lee et al.
2012/0049800	A1	3/2012	Johnson et al.
2013/0150134	A1	6/2013	Pliner et al.

(56) **References Cited**

U.S. PATENT DOCUMENTS

5,611,701	A	3/1997	Hahn	
D442,544	S	5/2001	Ku	
D562,231	S	2/2008	Osiecki et al.	
7,503,779	B1	3/2009	Yang et al.	
D596,562	S	7/2009	Hong et al.	
7,619,388	B1	11/2009	Nana	
D638,355	S	5/2011	Chen	
D638,356	S	5/2011	Chen	
D652,381	S	1/2012	Tien	
D664,091	S	7/2012	Pliner et al.	
D666,968	S	9/2012	Huang	
D669,029	S	10/2012	Huang	
D676,382	S	2/2013	Mcsweyn	
D677,223	S	3/2013	Cho	
D683,310	S	5/2013	Mcsweyn	
D687,375	S	8/2013	Franco et al.	
8,536,827	B2	9/2013	Gourley	
D693,764	S	11/2013	Hok Man	
D695,214	S	12/2013	Roberts et al.	
D723,457	S	3/2015	Sorias et al.	
D762,570	S *	8/2016	Precheur	D13/108
D763,188	S *	8/2016	Park	D13/108
D766,179	S *	9/2016	Polk	D13/108
D766,821	S *	9/2016	Chan	D13/107
2003/0218445	A1	11/2003	Behar	

FOREIGN PATENT DOCUMENTS

DE	202007006577	U1	10/2007
JP	2014-068455		4/2014
WO	WO 2012/097118		7/2012
WO	WO 2015/171818		11/2015

OTHER PUBLICATIONS

GadgetsIn.com, Cordless wall iphone charger, [www.gadgetsIn.com/cordless-wall-iphone-charger.htm](http://www.gadgetsIn.com/cordless-wall-iphone-charger.htm), May 31, 2010.  
 Harmeet Kaur, JuiceTank—An iPhone® Case or a Charger?, news.techgenie.com/latest/juicetank-an-iphone-case-or-a-charger/, publication date unknown.  
 Louis Goddard, ‘World’s smallest’ iPhone charger lets you plug straight into the wall, [www.theverge.com/2012/6/27/3120261/juicebuddy-iphone-charger](http://www.theverge.com/2012/6/27/3120261/juicebuddy-iphone-charger), Jun. 27, 2012.  
 Global Sources, Flip Wall Charger for iPhone 5, [ksentry.manufacturer.globalsources.com/si/6008837134660/pdtl/Charger-for-1066887746/Flip-Wall-Charger-for-iPhone-5.htm](http://ksentry.manufacturer.globalsources.com/si/6008837134660/pdtl/Charger-for-1066887746/Flip-Wall-Charger-for-iPhone-5.htm), publication date unknown.  
 International Search Report & Written Opinion for application No. PCT/US2015/029541, mailed on Aug. 27, 2015.

\* cited by examiner

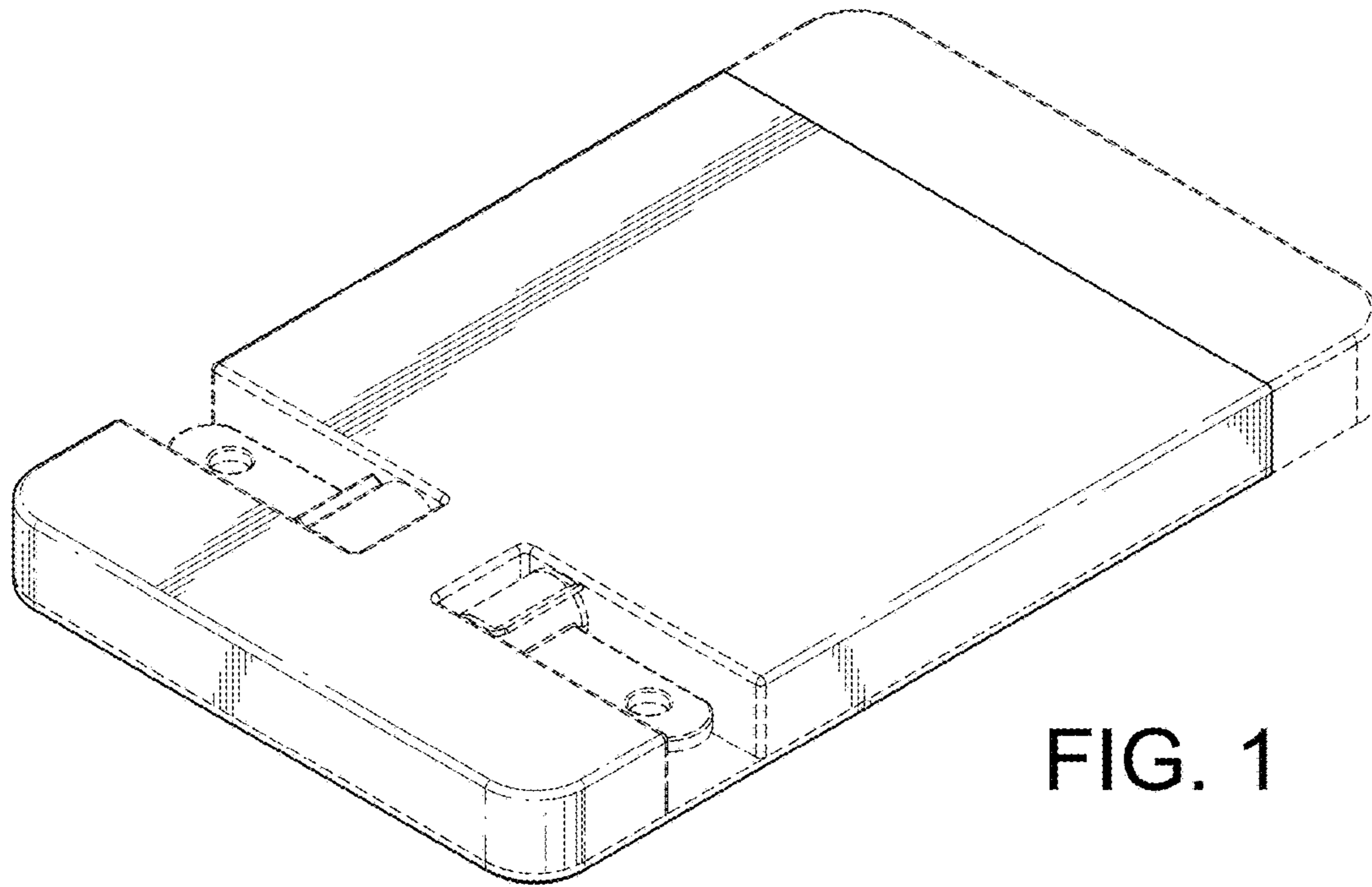


FIG. 1

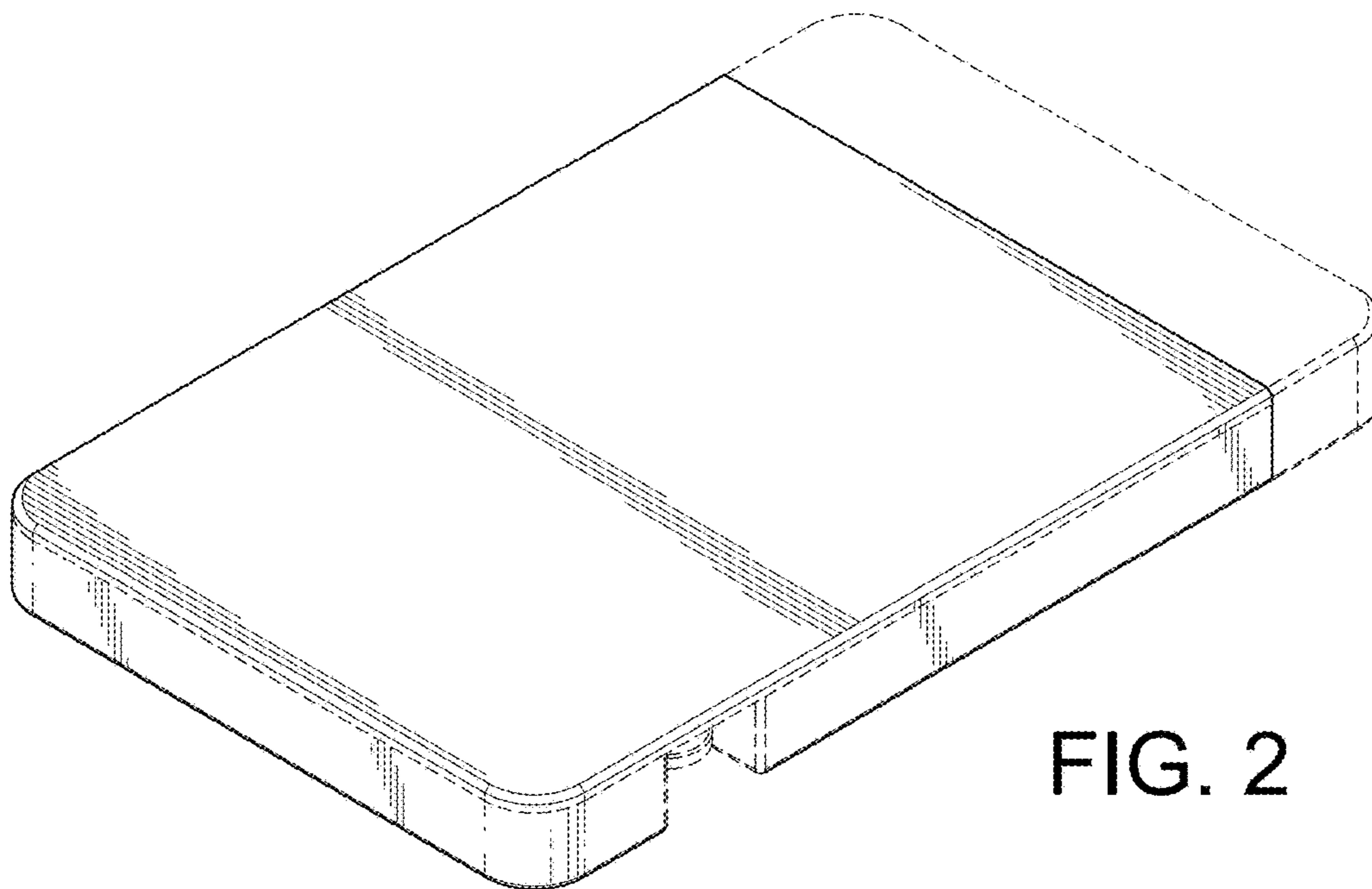


FIG. 2



FIG. 3

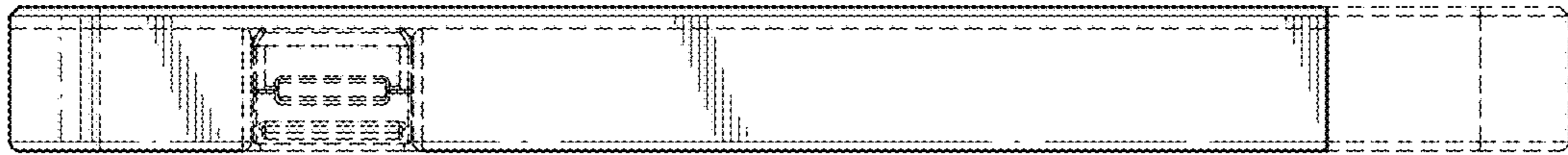


FIG. 4

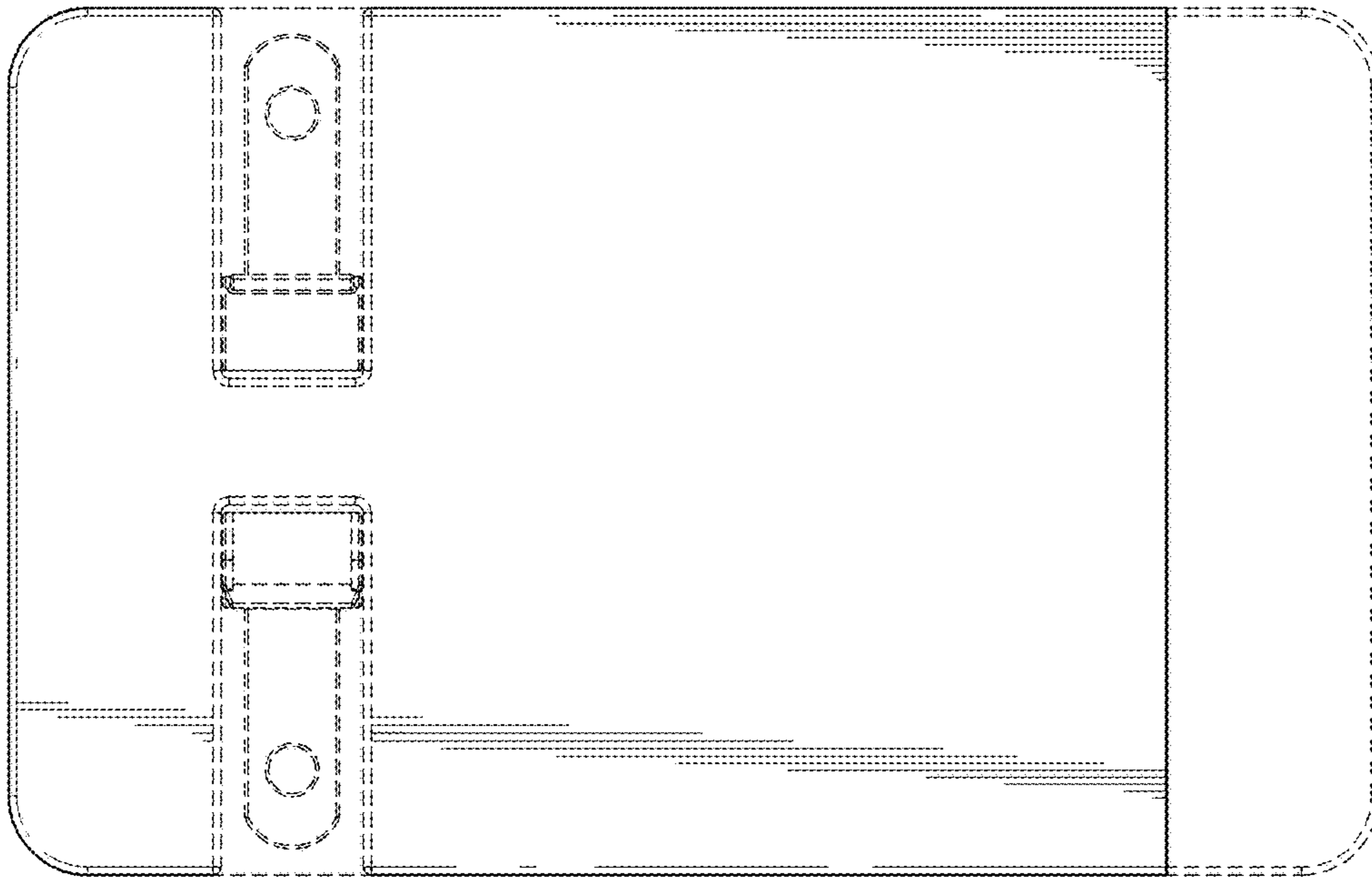


FIG. 5

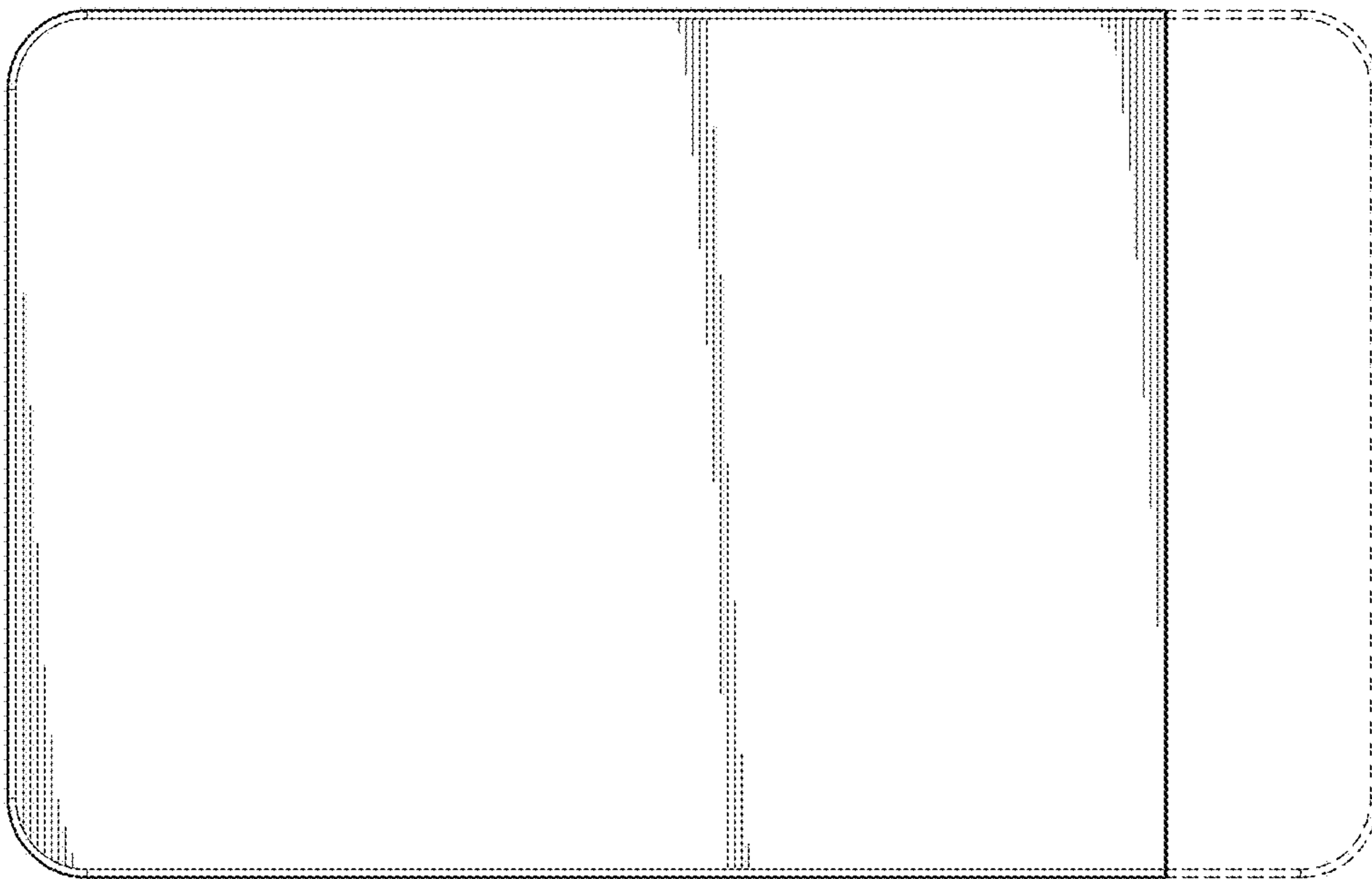


FIG. 6

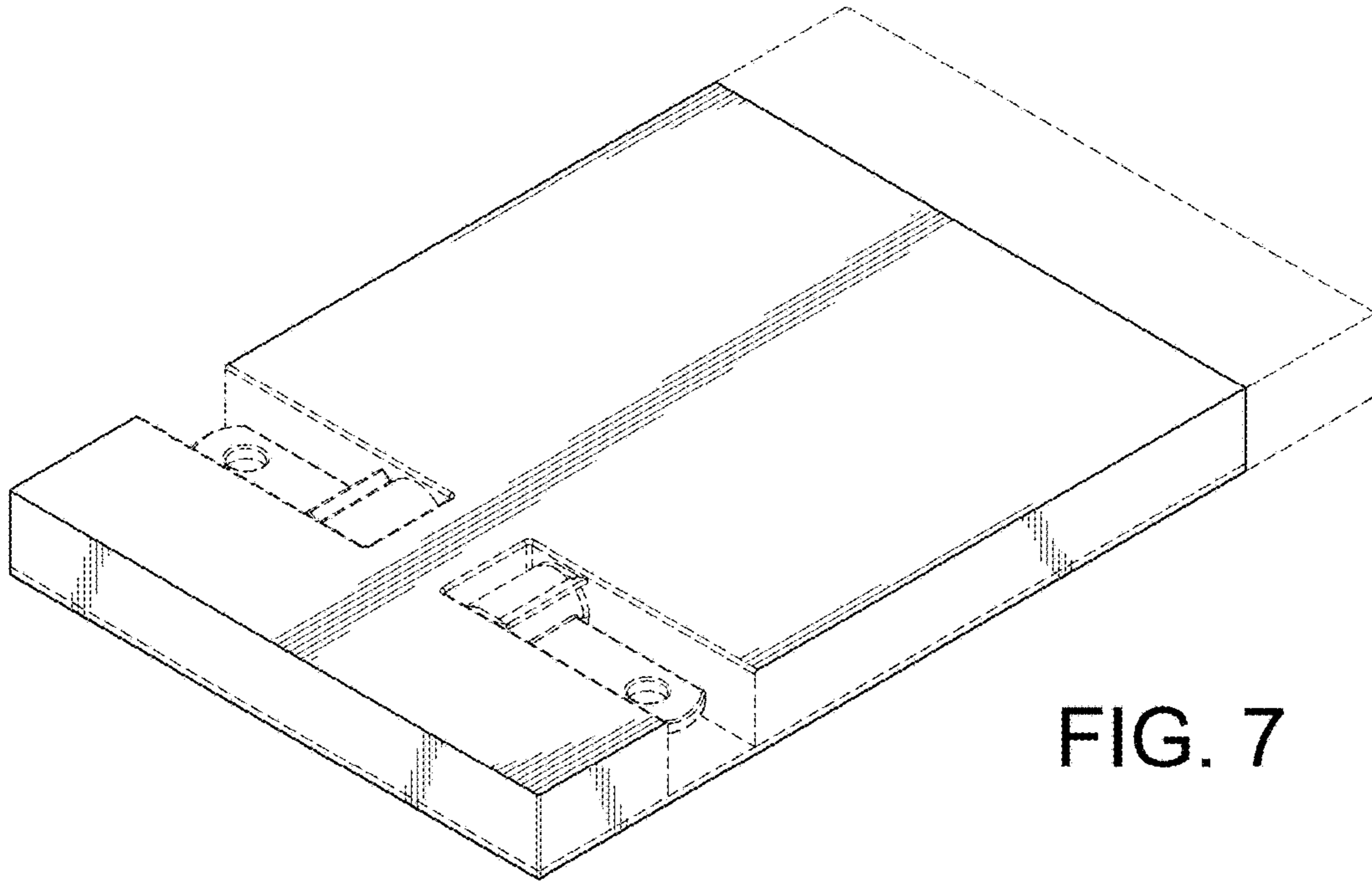


FIG. 7

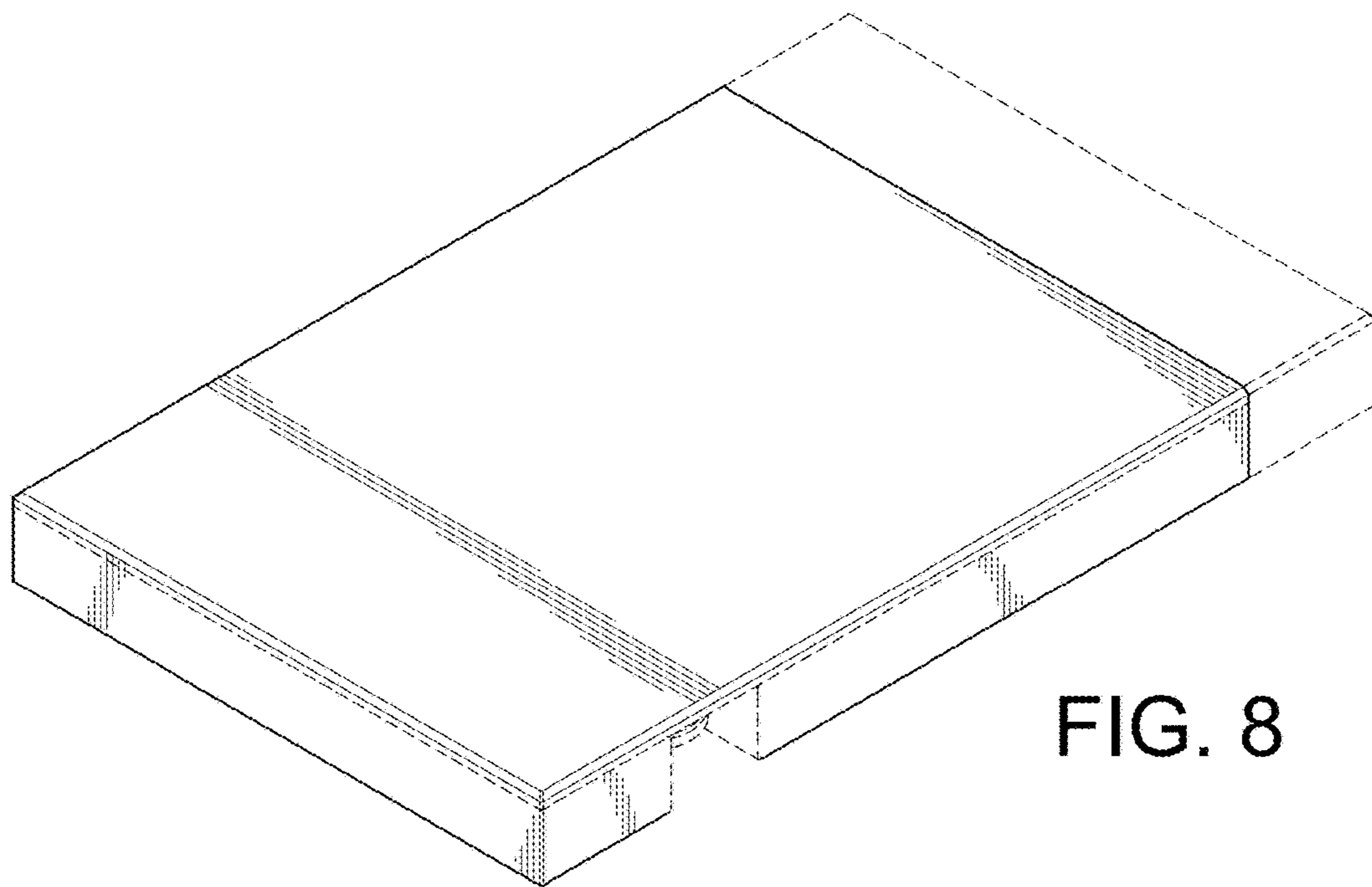


FIG. 8

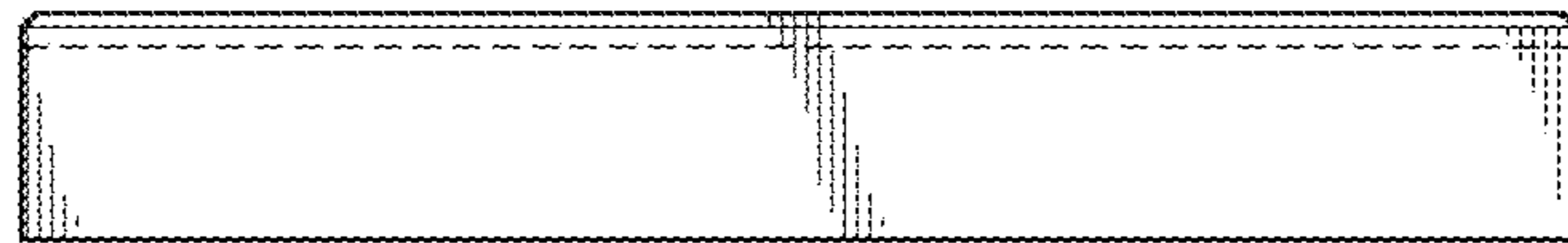


FIG. 9

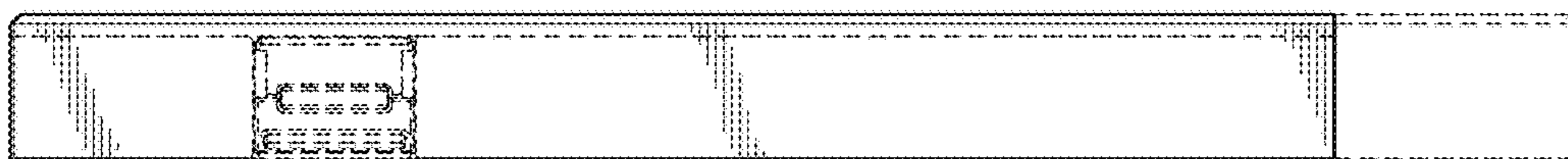


FIG. 10

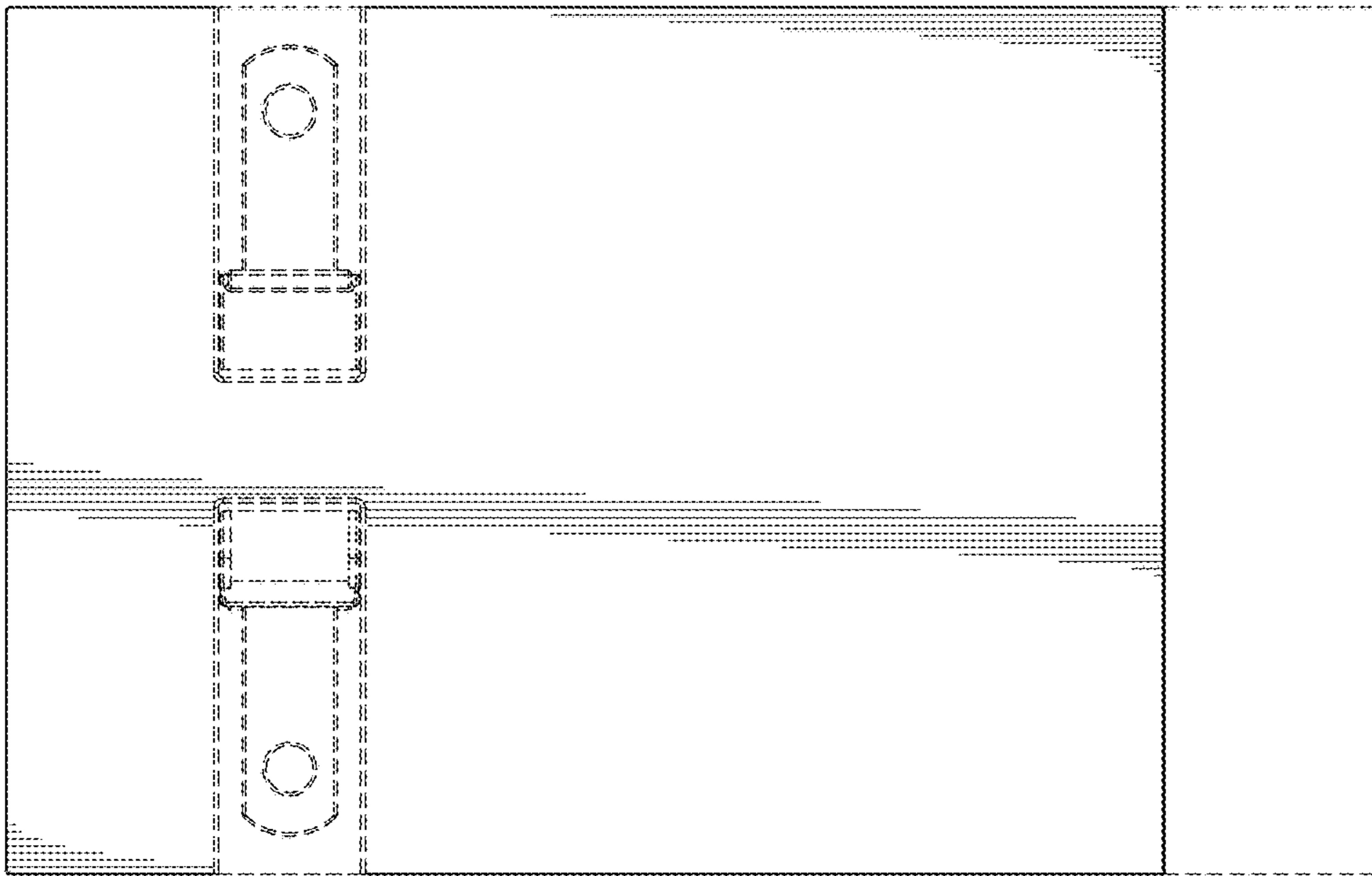


FIG. 11

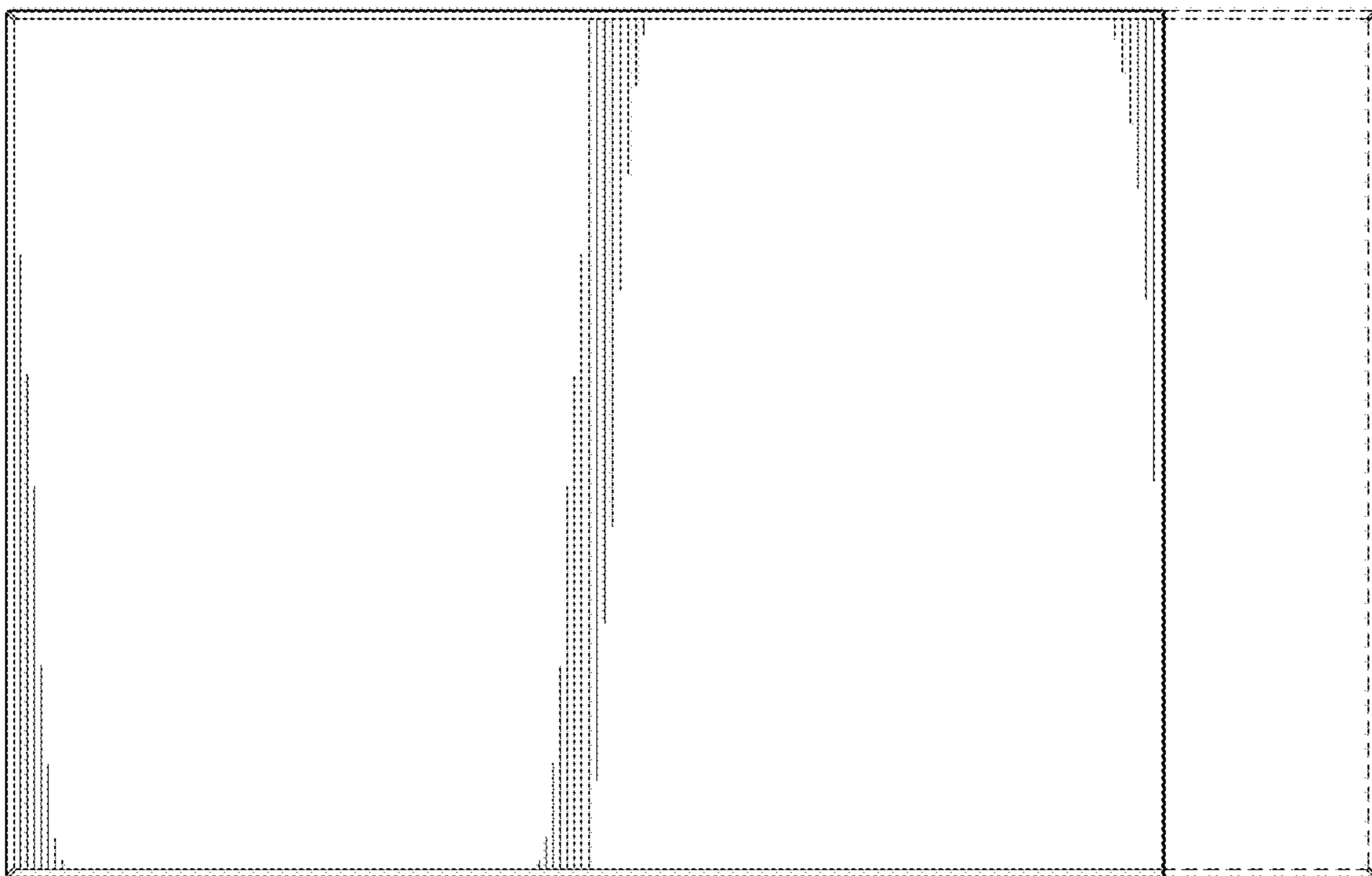


FIG. 12