



US00D791696S

(12) **United States Design Patent**
Tinius

(10) **Patent No.:** **US D791,696 S**
(45) **Date of Patent:** **** Jul. 11, 2017**

(54) **BATTERY CHARGER**

Y02T 90/163; H01R 13/6675; A61C
17/20; A61C 17/32

See application file for complete search history.

(71) Applicant: **Andreas Stihl AG & Co. KG,**
Waiblingen (DE)

(72) Inventor: **Michael Tinius,** Ulm (DE)

(73) Assignee: **Andreas Stihl AG & Co. KG,**
Waiblingen (DE)

(**) Term: **15 Years**

(21) Appl. No.: **29/548,401**

(22) Filed: **Dec. 14, 2015**

(30) **Foreign Application Priority Data**

Aug. 6, 2015 (EM) 002750372-0004

(51) **LOC (10) Cl.** **13-02**

(52) **U.S. Cl.**

USPC **D13/107**

(58) **Field of Classification Search**

USPC D16/219; D14/356, 251, 253, 432, 434,
D14/358; D13/107-110, 118-119, 184,
D13/199, 102-106

CPC H01M 10/44; H01M 10/46; H01M 10/425;
H01M 10/482; H01M 2/02; H01M 2/022;
H01M 2/0202; H01M 2/0207; H01M
2/0212; H01M 2/1061; H01M 2/1066;
H01M 2/105; H01M 2/20; H01M 2/202;
H01M 2/204; H01M 2/206; H01M
2/1022; H01M 2/1055; Y02E 60/10;
Y02E 60/122; Y02E 60/124; Y02E 60/50;
Y02E 60/12; H02J 7/0054; H02J 7/0055;
H02J 7/0057; H02J 7/025; H02J 7/0042;
H02J 7/0044; H02J 7/0045; H02J 7/0003;
Y02T 90/14; Y02T 90/122; Y02T 90/128;

(56) **References Cited**

U.S. PATENT DOCUMENTS

D298,230 S	*	10/1988	Lay	D13/107
D307,276 S		4/1990	Desbarats		
D343,841 S		2/1994	Hon et al.		
D460,412 S		7/2002	Nawrozki		
D472,875 S		4/2003	Garvis et al.		
D483,012 S	*	12/2003	Hsu	D13/103
D506,972 S		7/2005	Parel et al.		
D522,964 S		6/2006	Watson		

(Continued)

Primary Examiner — Rosemary K Tarcza

Assistant Examiner — Christy Nemeth

(74) *Attorney, Agent, or Firm* — McGuireWoods LLP

(57) **CLAIM**

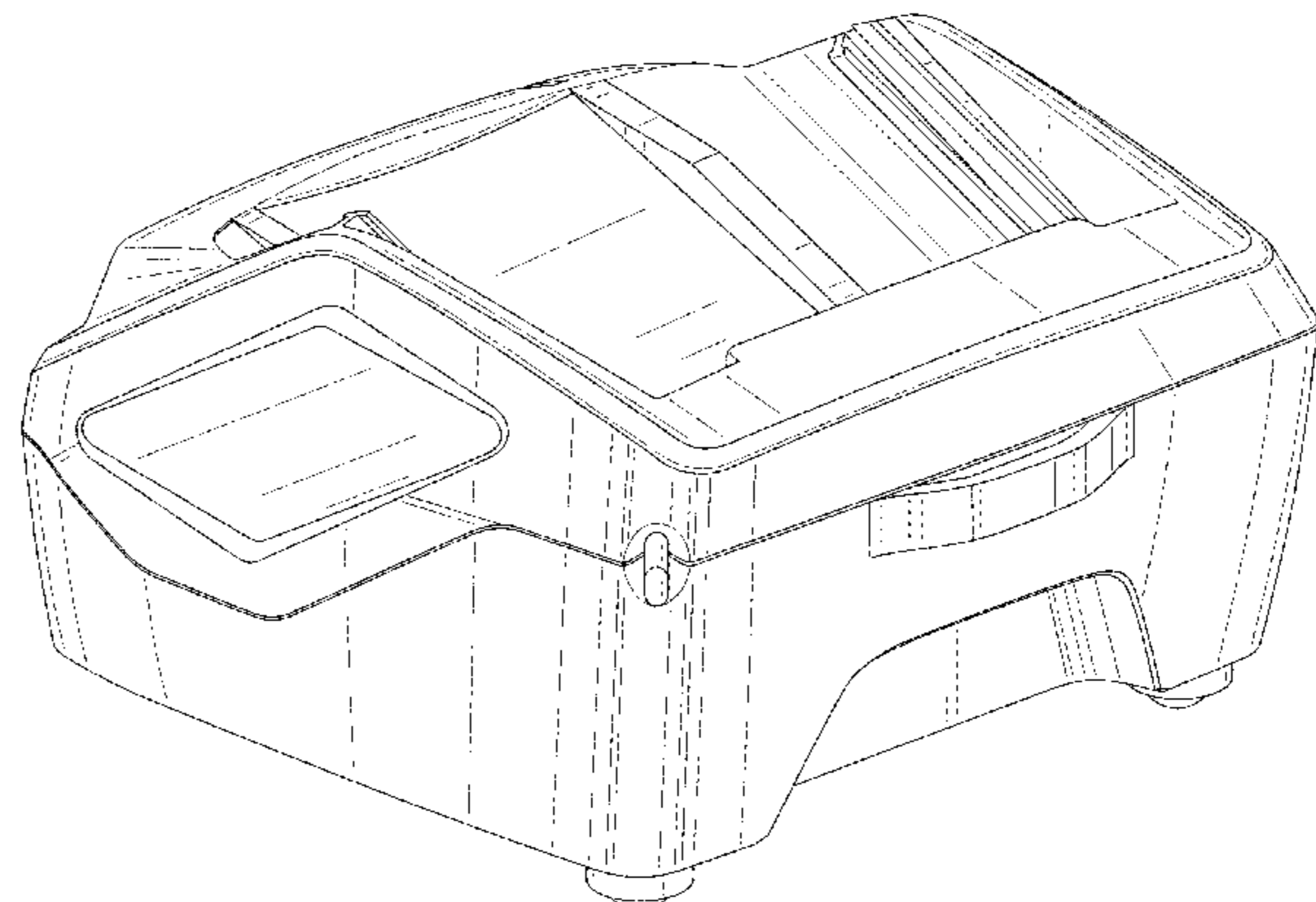
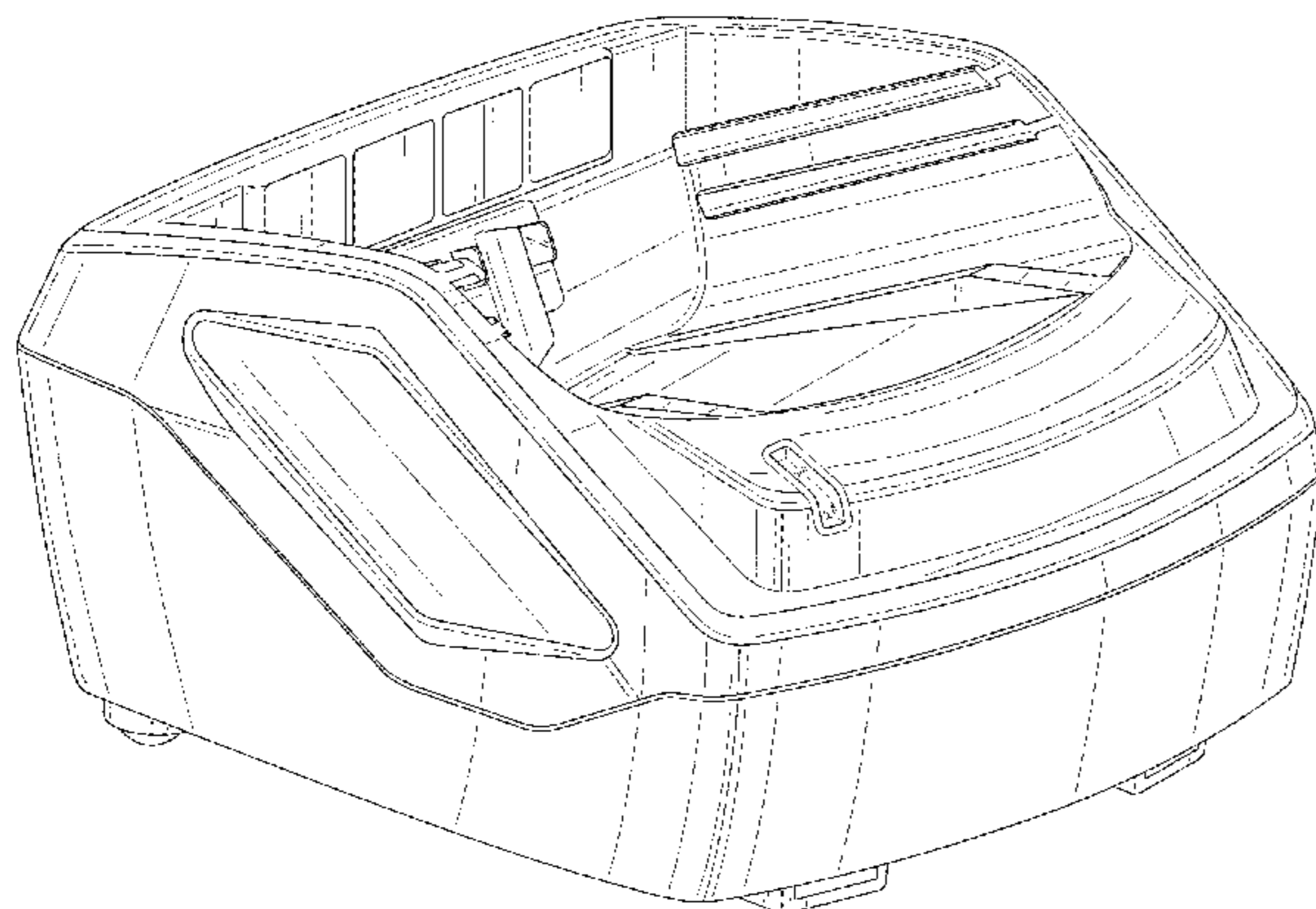
I claim the ornamental design for a battery charger, as shown and described.

DESCRIPTION

FIG. 1 is a right perspective view of the battery charger; FIG. 2 is a left perspective view of the battery charger shown in FIG. 1; FIG. 3 is a front view of the battery charger shown in FIG. 1; FIG. 4 is a rear view of the battery charger shown in FIG. 1; FIG. 5 is a right side view of the battery charger shown in FIG. 1; FIG. 6 is a left side view of the battery charger shown in FIG. 1; FIG. 7 is a top view of the battery charger shown in FIG. 1; and, FIG. 8 is a bottom view of the battery charger shown in FIG. 1.

The subject matter shown in dashed lines form no part of the claimed invention.

(Continued)



The broken lines in the drawings are for the purpose of illustrating elements of the battery charger that form no part of the claimed design.

1 Claim, 8 Drawing Sheets

(56) **References Cited**

U.S. PATENT DOCUMENTS

D547,265	S	7/2007	Aglassinger	
D550,152	S *	9/2007	Okuda	D13/103
D562,230	S	2/2008	Houghton	
D562,762	S *	2/2008	Saddlemire	D13/108
D573,089	S	7/2008	Mandel et al.	
D580,855	S	11/2008	Haspil et al.	
D621,345	S *	8/2010	Tinius	D13/107
D622,661	S *	8/2010	Yamada	D13/103
D682,193	S *	5/2013	Corbin	D13/103
D699,670	S *	2/2014	Cooper	D13/103
D712,826	S *	9/2014	Marino	D13/103
D718,705	S *	12/2014	Naksen	D13/103
D765,592	S *	9/2016	Friend	D13/103
2008/0166624	A1 *	7/2008	Teng	B25F 5/02 429/50
2011/0253406	A1 *	10/2011	Glauning	H01M 2/1061 173/217
2013/0127403	A1 *	5/2013	Chen	H01M 2/1066 320/107
2016/0072106	A1 *	3/2016	Baumgartner	H01M 2/1022 320/113

* cited by examiner

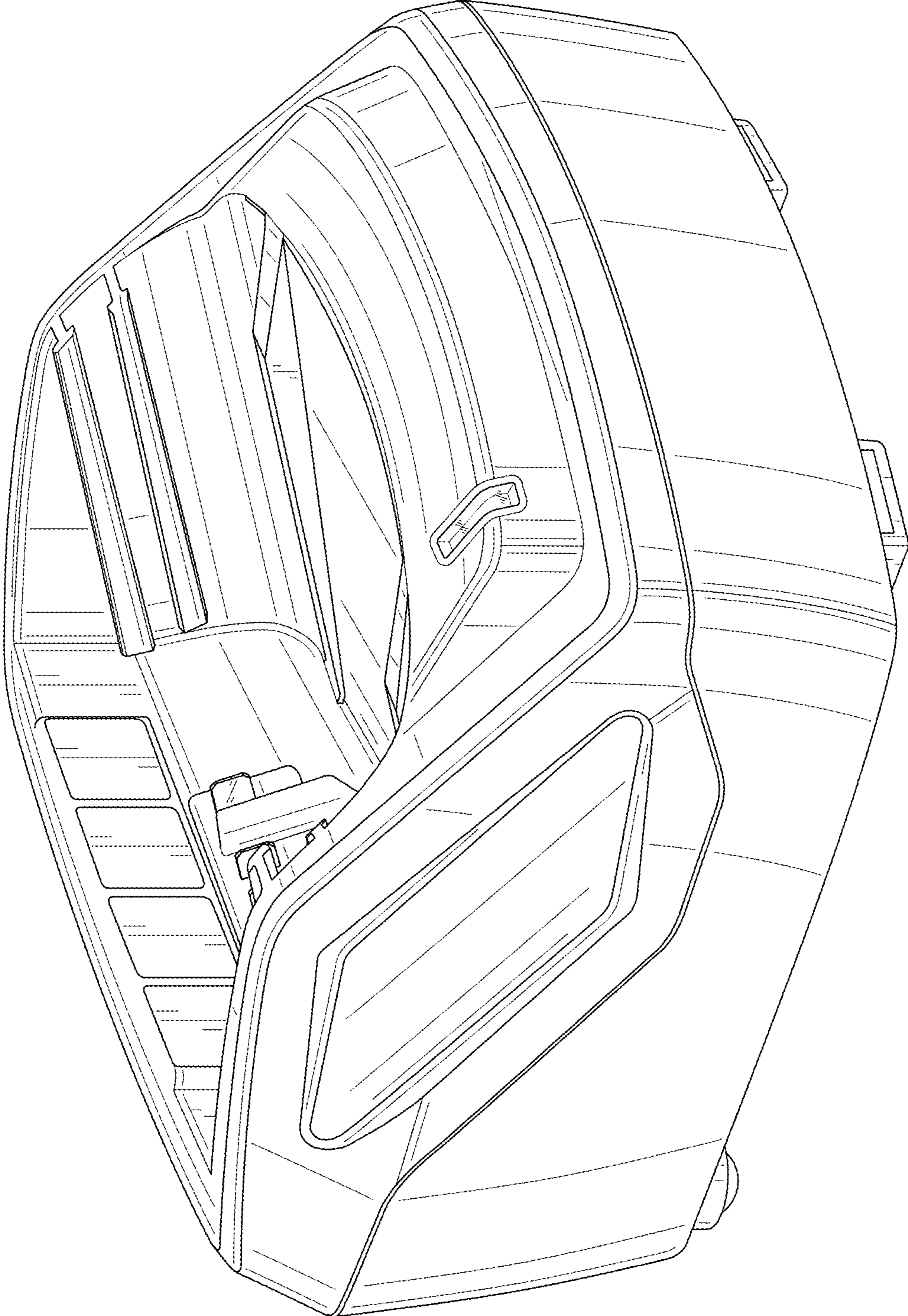


FIG. 1

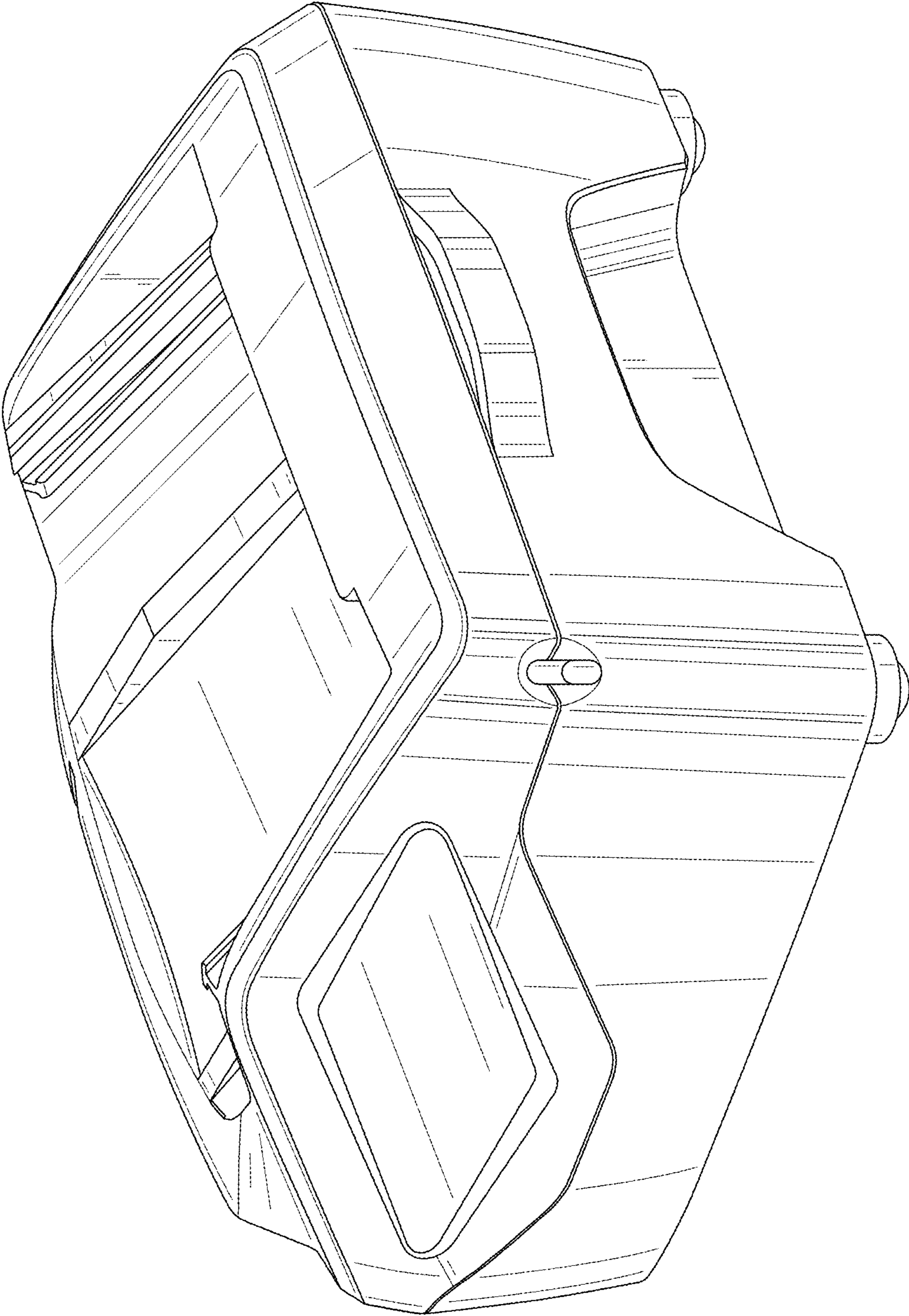


FIG. 2

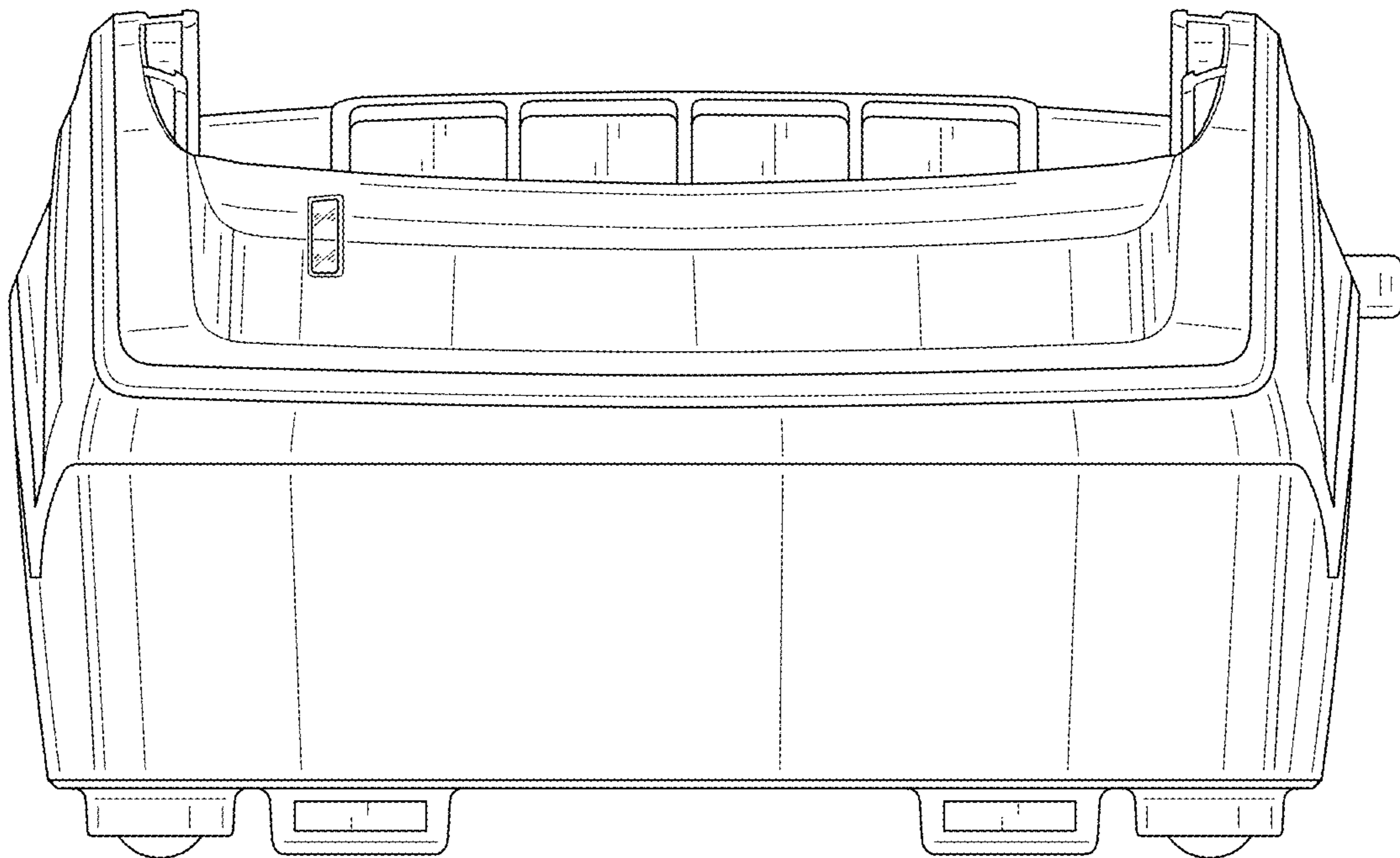


FIG. 3

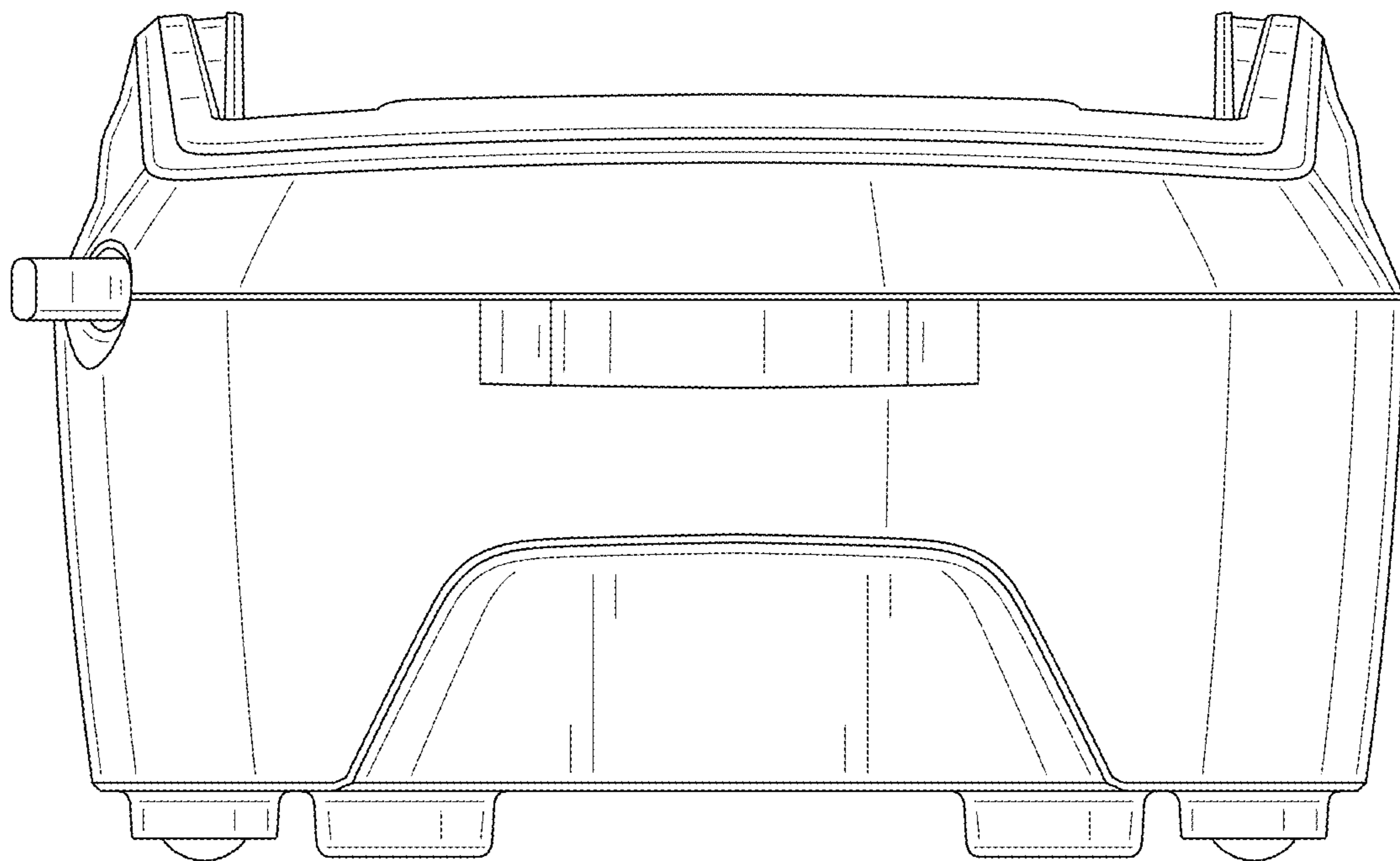


FIG. 4

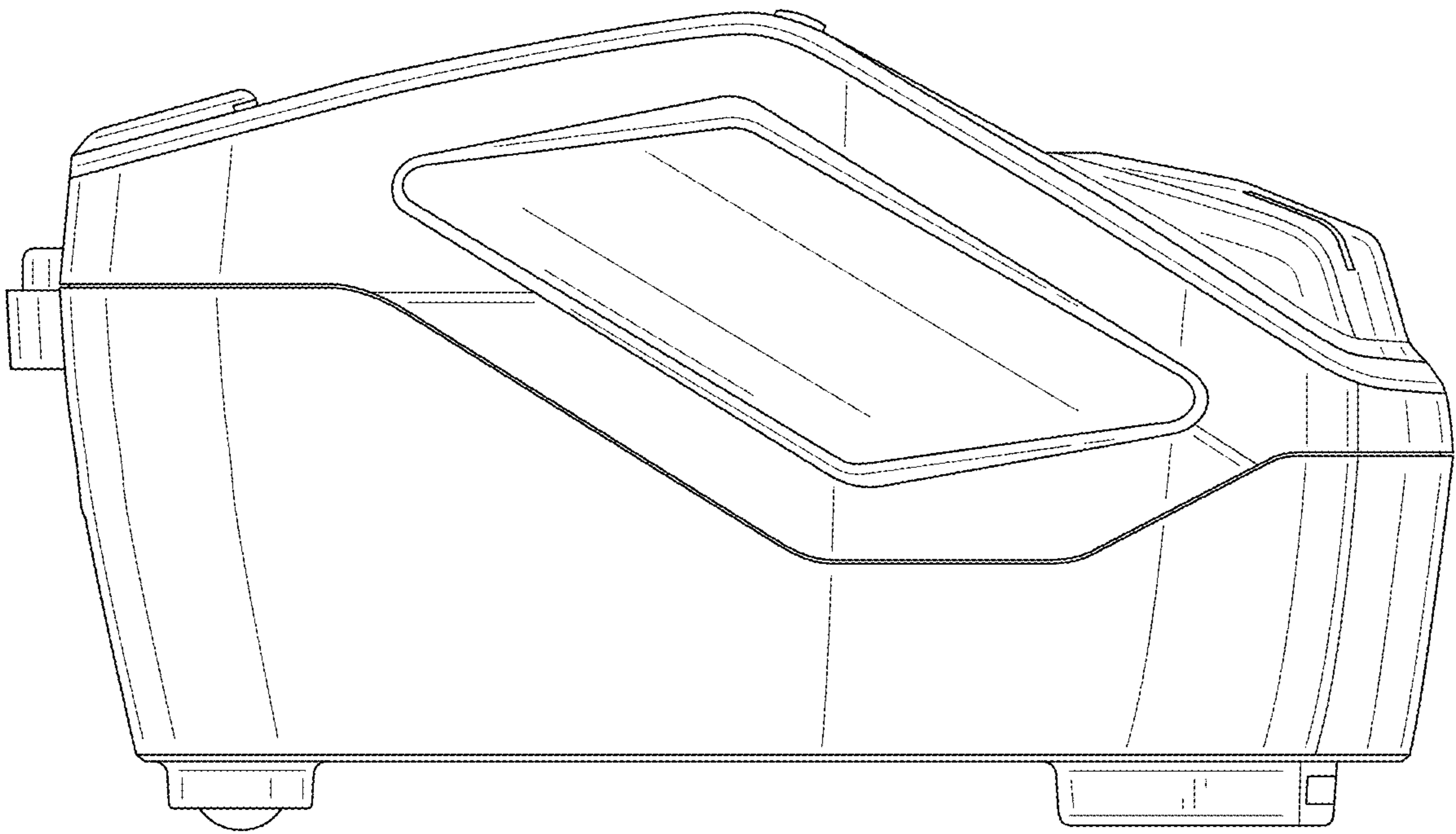


FIG. 5

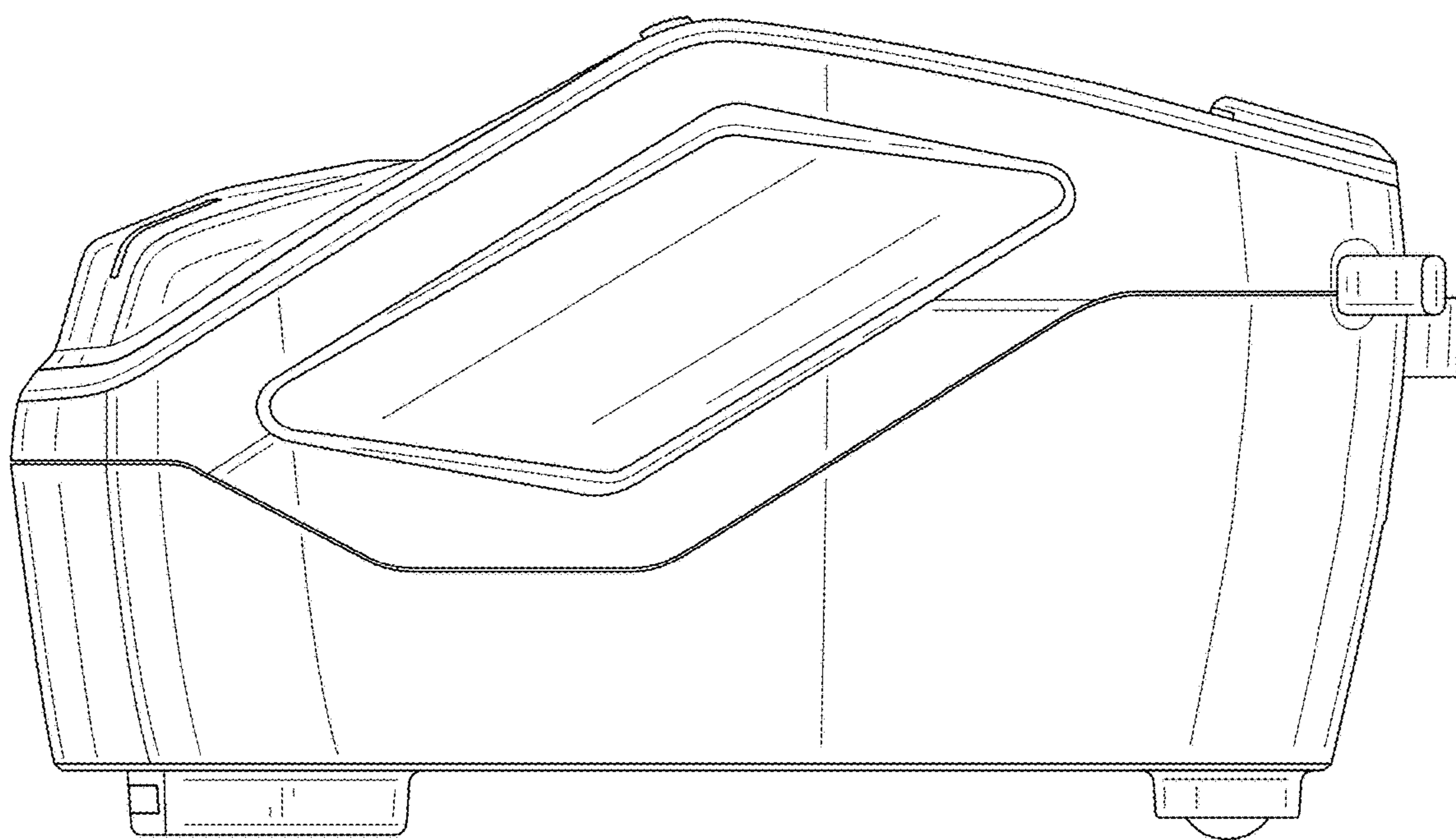


FIG. 6

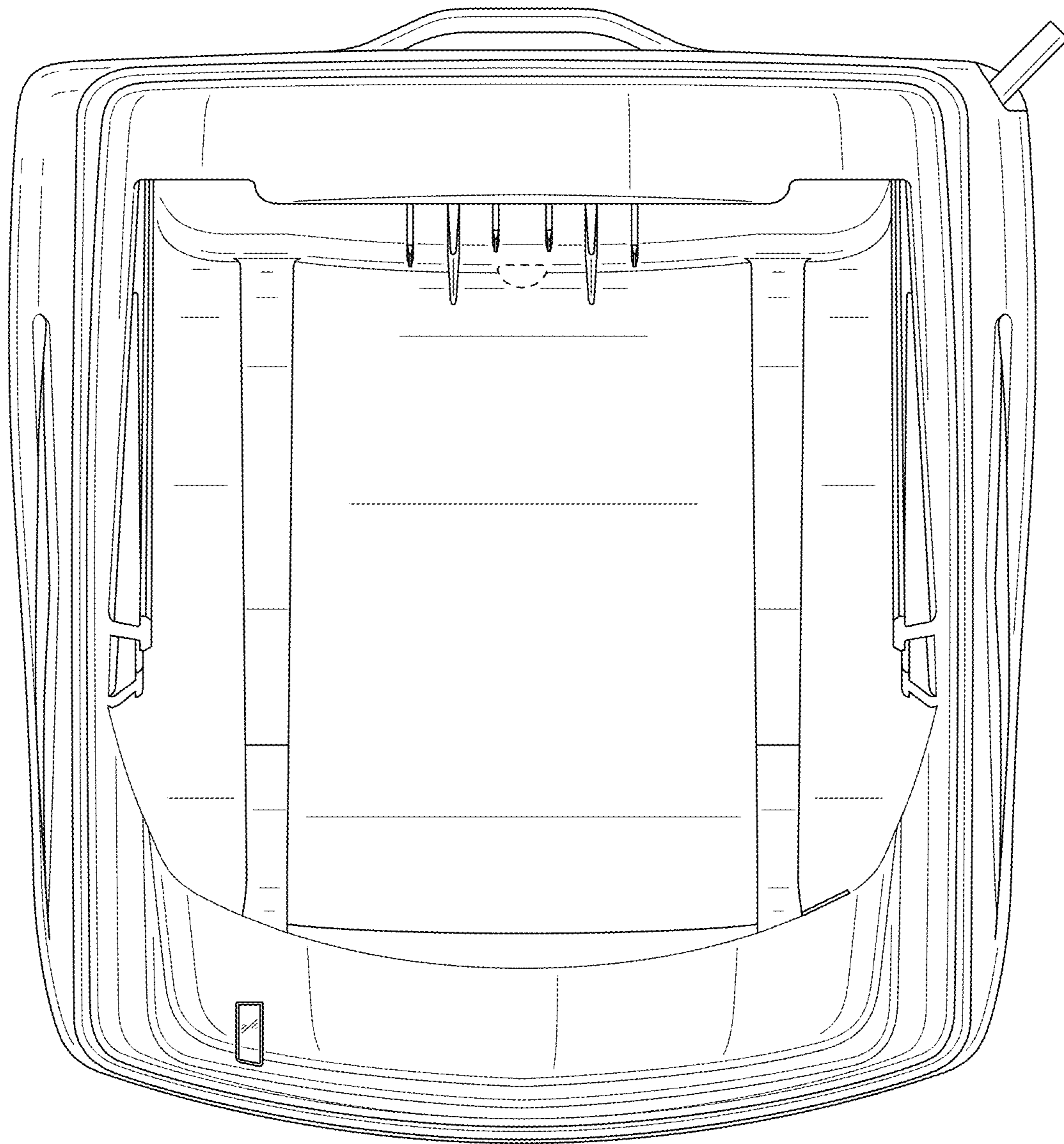


FIG. 7

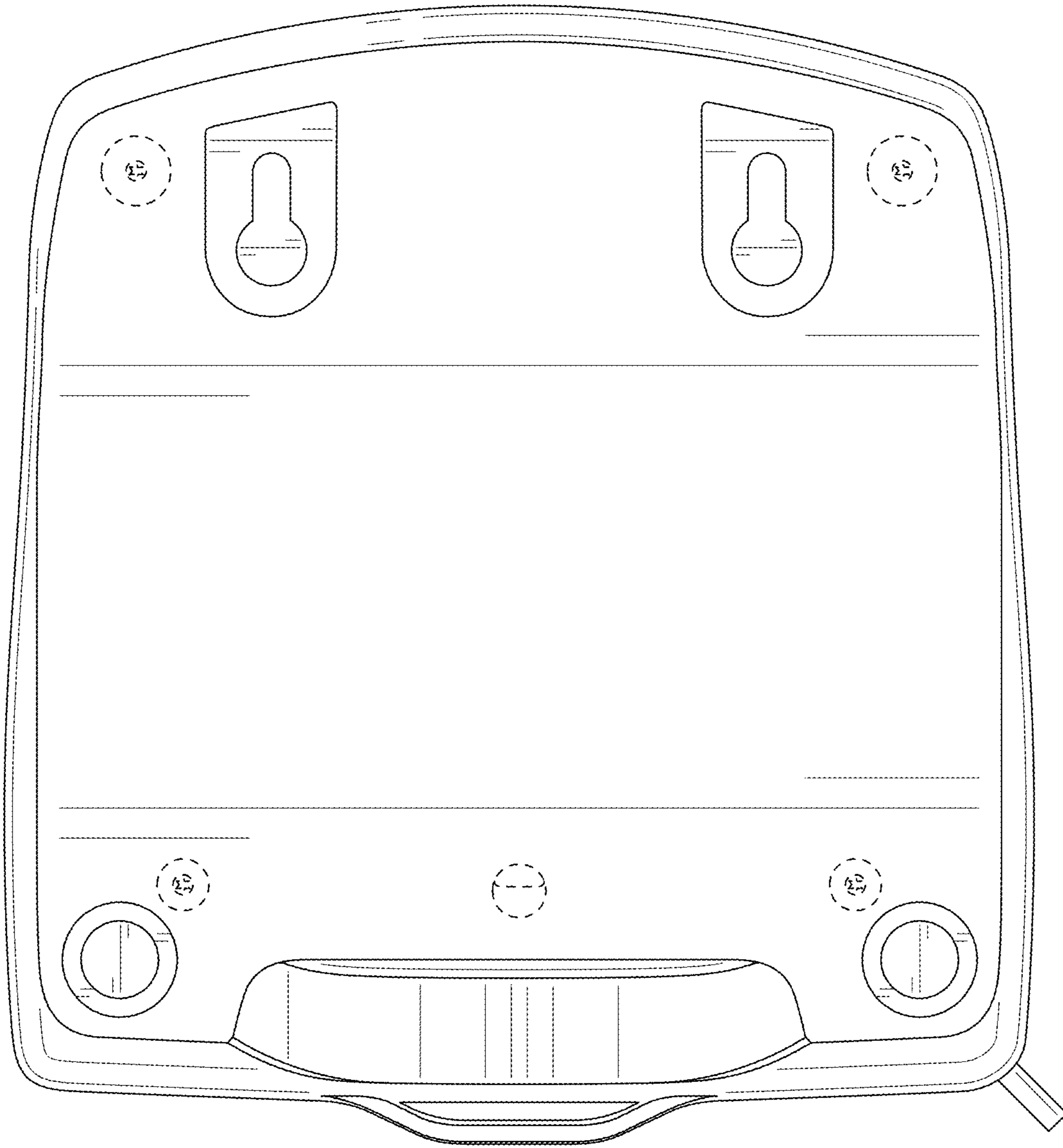


FIG. 8