



US00D791695S

(12) **United States Design Patent** (10) **Patent No.:** **US D791,695 S**
Bergman et al. (45) **Date of Patent:** **** Jul. 11, 2017**

(54) **BATTERY**
(71) Applicant: **GoPro, Inc.**, San Mateo, CA (US)
(72) Inventors: **Senka Bergman**, Montara, CA (US);
Huy Nguyen, San Mateo, CA (US)
(73) Assignee: **GoPro, Inc.**, San Mateo, CA (US)
(**) Term: **15 Years**

D449,577 S 10/2001 Nishio et al.
D456,006 S 4/2002 Maher et al.
D457,132 S * 5/2002 Petherbridge D13/103
D463,774 S 10/2002 Buck
D480,682 S 10/2003 Kawase
D481,995 S * 11/2003 Yokota D13/103
D483,329 S 12/2003 Kuo
D494,940 S 8/2004 Fiocchi
D509,189 S 9/2005 Buck
D510,721 S 10/2005 Axelrod
D512,371 S 12/2005 Axelrod

(Continued)

(21) Appl. No.: **29/591,483**

(22) Filed: **Jan. 20, 2017**

(51) **LOC (10) Cl.** **13-02**

(52) **U.S. Cl.**
USPC **D13/103**

(58) **Field of Classification Search**
USPC D13/107-110, 118-119, 184
CPC Y02E 60/12; Y02T 90/14; Y02T 90/122;
Y02T 90/128; Y02T 90/163; H02J 7/025;
H02J 7/0042; H02J 7/0044; H02J 7/0045;
H02J 7/0003; H01F 38/14; H01R
13/6675; H01M 2/1022; H01M 2/1055;
H01M 10/44; H01M 10/46; H01M
10/425; B60L 11/182

See application file for complete search history.

(56) **References Cited**

U.S. PATENT DOCUMENTS

3,721,746 A * 3/1973 Knappenberger ... H05K 9/0032
174/372
D260,513 S 9/1981 Comstock
D299,651 S 1/1989 Preussner
5,216,371 A 6/1993 Nagai
D348,043 S 6/1994 Hamilton et al.
D354,739 S 1/1995 Durham et al.
D404,356 S * 1/1999 Higgins D13/103
D408,796 S 4/1999 Georgopoulos
D409,160 S 5/1999 Sonntag
D412,153 S 7/1999 Chen
D423,449 S 4/2000 Naskali

OTHER PUBLICATIONS

Kingma Ebay. Ebay.com. [published Nov. 10, 2016][online][Ac-
cessed Feb. 28, 2017]<URL:http://www.ebay.com/itm/KingMa-
AHDBT-501-Li-ion-Battery-1220mAh-Dual-Charger-For-Gopro-
Hero-5-Camera-/272413104511>.*

(Continued)

Primary Examiner — Rosemary K Tarcza
Assistant Examiner — Nathaniel D Buckner
(74) *Attorney, Agent, or Firm* — Saidman DesignLaw
Group, Inc.

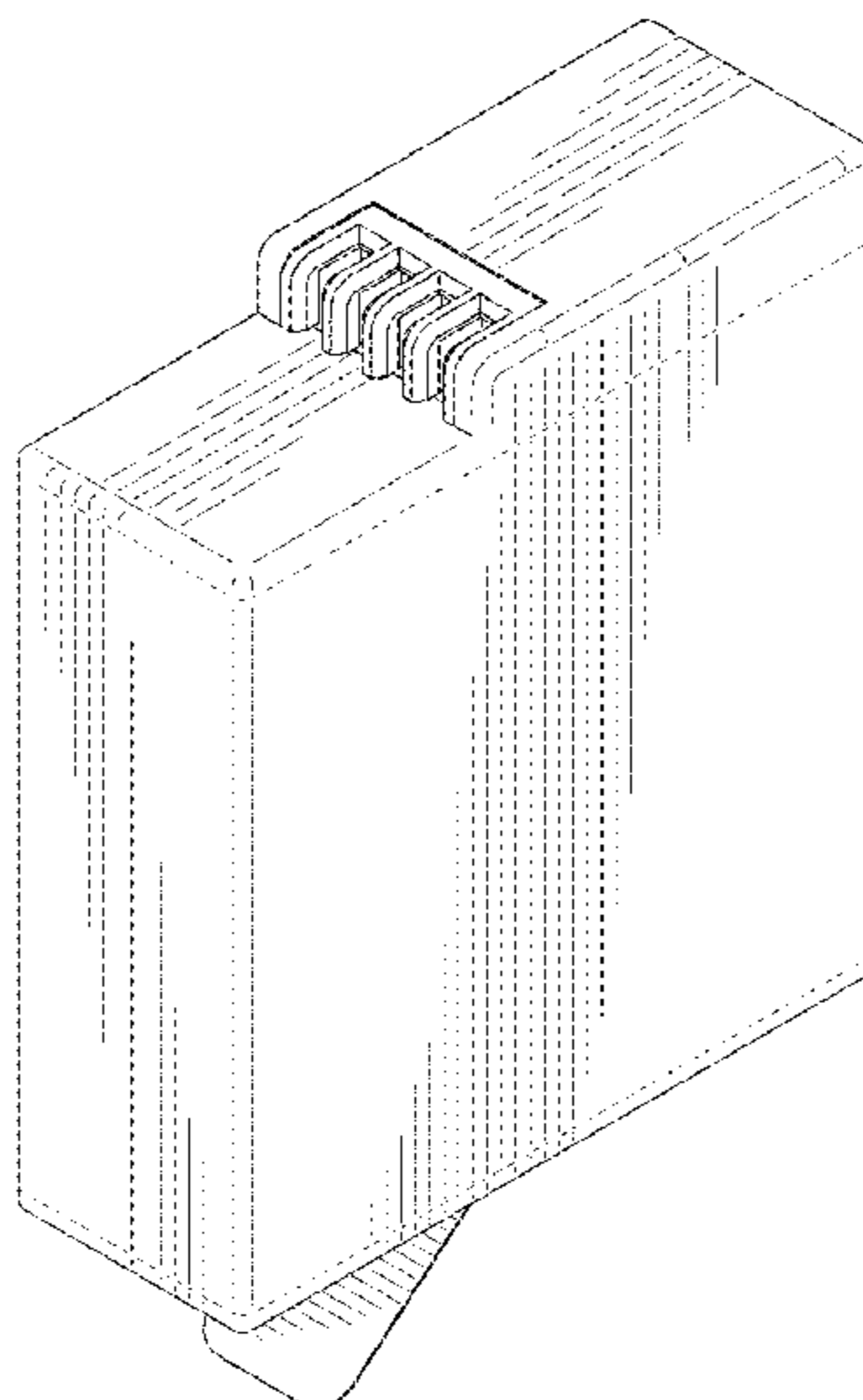
(57) **CLAIM**

The ornamental design for a battery, as shown and described.

DESCRIPTION

FIG. 1 is a perspective view of a battery showing our new
design;
FIG. 2 is a front view thereof;
FIG. 3 is a rear view thereof;
FIG. 4 is a left side view thereof;
FIG. 5 is a right side view thereof;
FIG. 6 is a top view thereof; and,
FIG. 7 is a bottom view thereof.
The broken lines illustrate portions of the battery which
form no part of the claimed design.

1 Claim, 4 Drawing Sheets



(56)

References Cited

U.S. PATENT DOCUMENTS

D516,502 S 3/2006 Small
 D516,503 S 3/2006 Takeshita et al.
 D524,241 S 7/2006 Takeshita et al.
 D526,612 S 8/2006 Sugeno et al.
 D535,249 S 1/2007 Ogasawara
 D535,253 S 1/2007 Buck
 D555,587 S * 11/2007 Yamamoto D13/103
 D584,683 S 1/2009 Preliasco et al.
 D610,539 S 2/2010 Dahan et al.
 D631,835 S 2/2011 Neidhart
 D637,552 S 5/2011 Inman et al.
 D640,196 S 6/2011 Shuang et al.
 D642,517 S 8/2011 Inman et al.
 D643,809 S 8/2011 Okuda et al.
 D644,988 S 9/2011 Finney et al.
 D647,944 S 11/2011 Jannard et al.
 D654,850 S 2/2012 Obata
 D660,788 S 5/2012 Ziring et al.
 D665,340 S 8/2012 Obata
 8,247,106 B2 8/2012 Takeshita et al.
 D674,749 S 1/2013 Moore et al.
 D682,777 S 5/2013 Gupta et al.
 D682,778 S 5/2013 Baumgartner et al.
 D700,136 S 2/2014 Morris et al.

8,828,601 B2 9/2014 Hara et al.
 D723,456 S 3/2015 Currah
 D724,538 S * 3/2015 Baumgartner D13/119
 D725,590 S 3/2015 Clyne et al.
 D726,648 S 4/2015 Zealer
 D730,287 S 5/2015 Motoyama et al.
 D769,814 S * 10/2016 Lin D13/103
 D772,804 S * 11/2016 Nakashima D13/103
 D780,111 S * 2/2017 Clyne D13/103
 D780,112 S * 2/2017 Lin D13/103
 2001/0034163 A1 * 10/2001 Chiang H01R 13/26
 439/660
 2011/0223447 A1 9/2011 Ignor et al.

OTHER PUBLICATIONS

Alex NLD AHDBT501 TinEye. Tineye.com [published Jan. 13, 2017][online][Accessed Feb. 28, 2017]<Url:https://tineye.com/search/a068519109ac11d29440a513c6a88863d1dc6e51/?extension_ver=chrome-1.1.5>.*
 Shopthewall Tin Eye. Tineye.com[published Feb. 9, 2017][online][Accessed Feb. 27, 2017]. <URL:https://tineye.com/search/2432380143a2cf364f8dd9e5150bce62a316525f/?extension_ver=chrome-1.1.5>.*

* cited by examiner

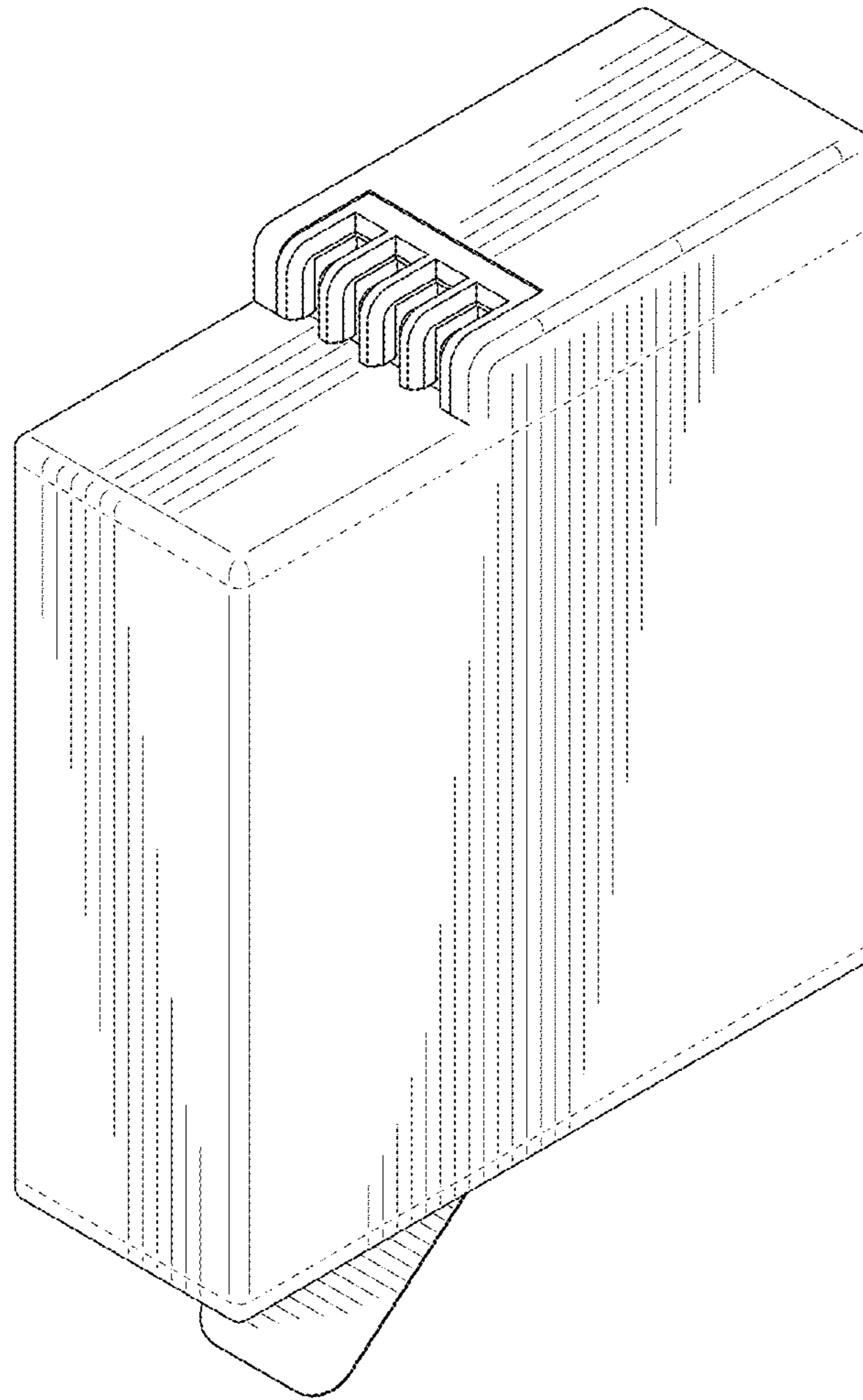


FIG. 1

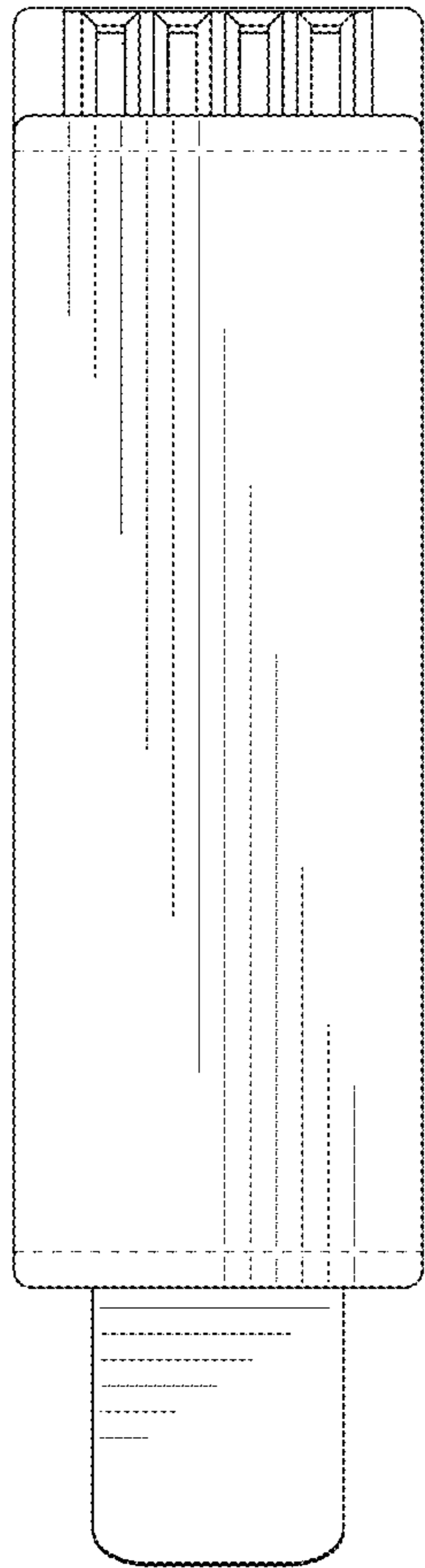


FIG. 2

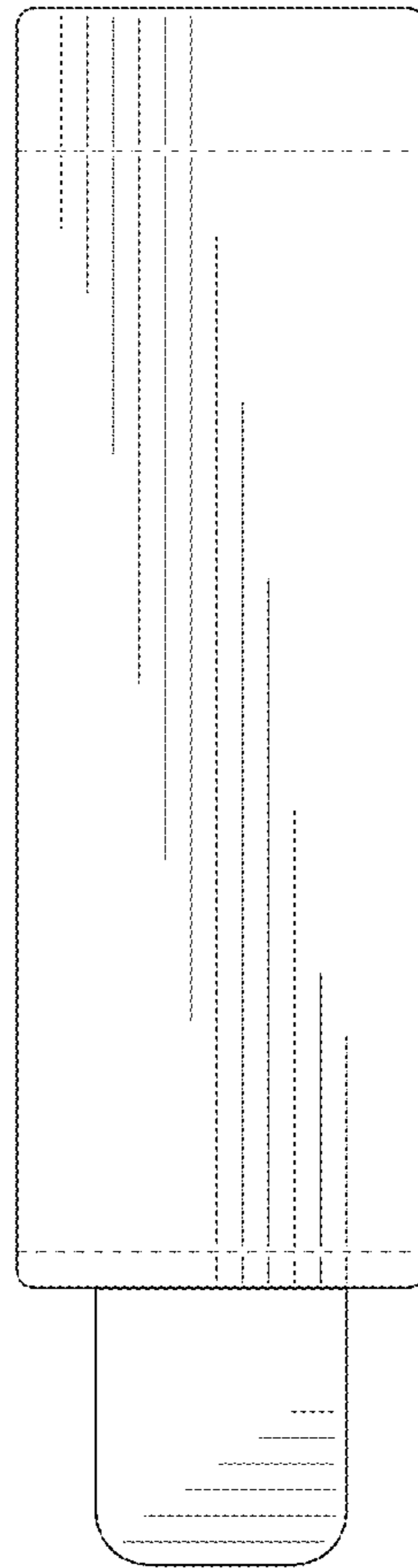


FIG. 3

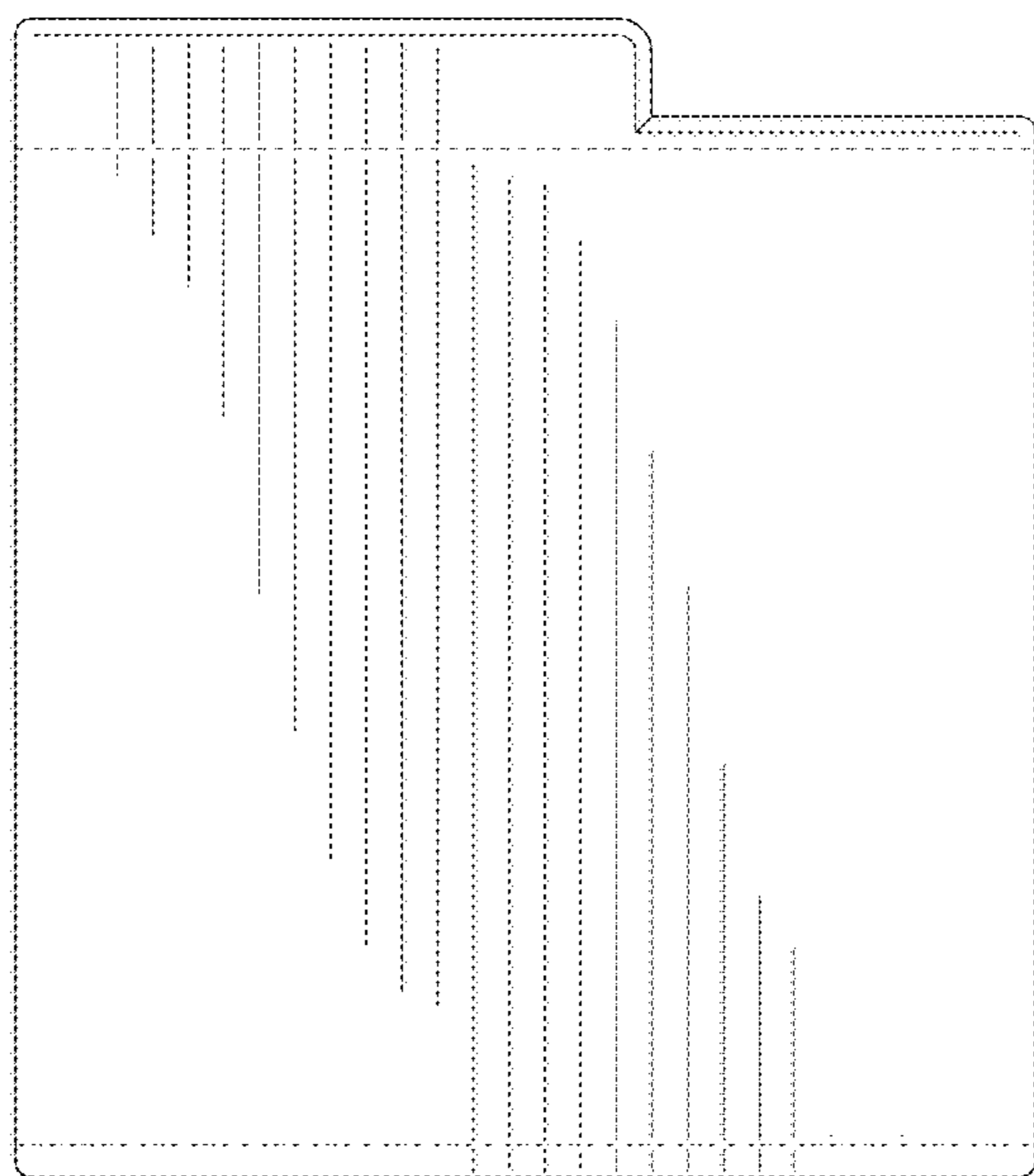


FIG. 4

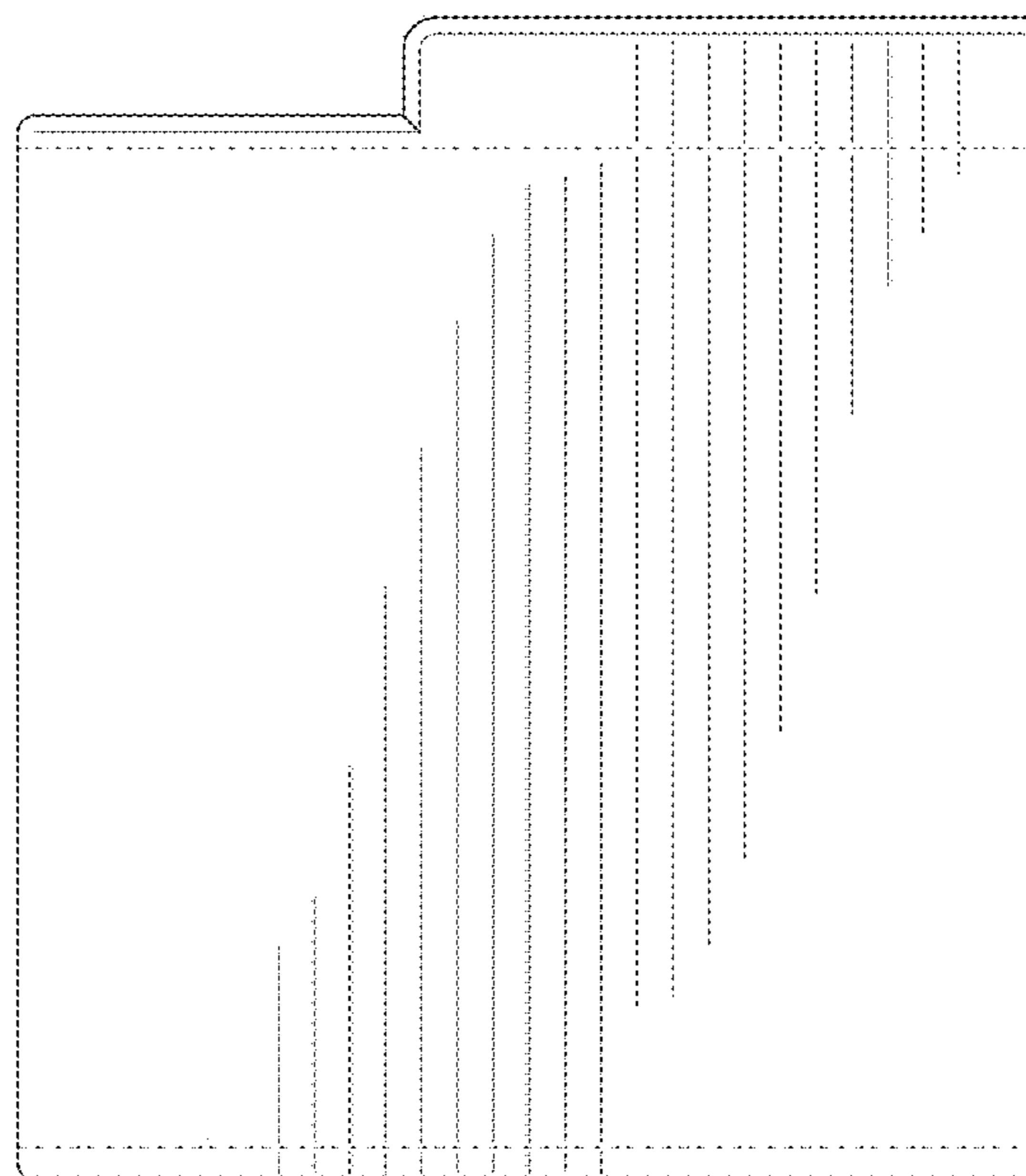


FIG. 5

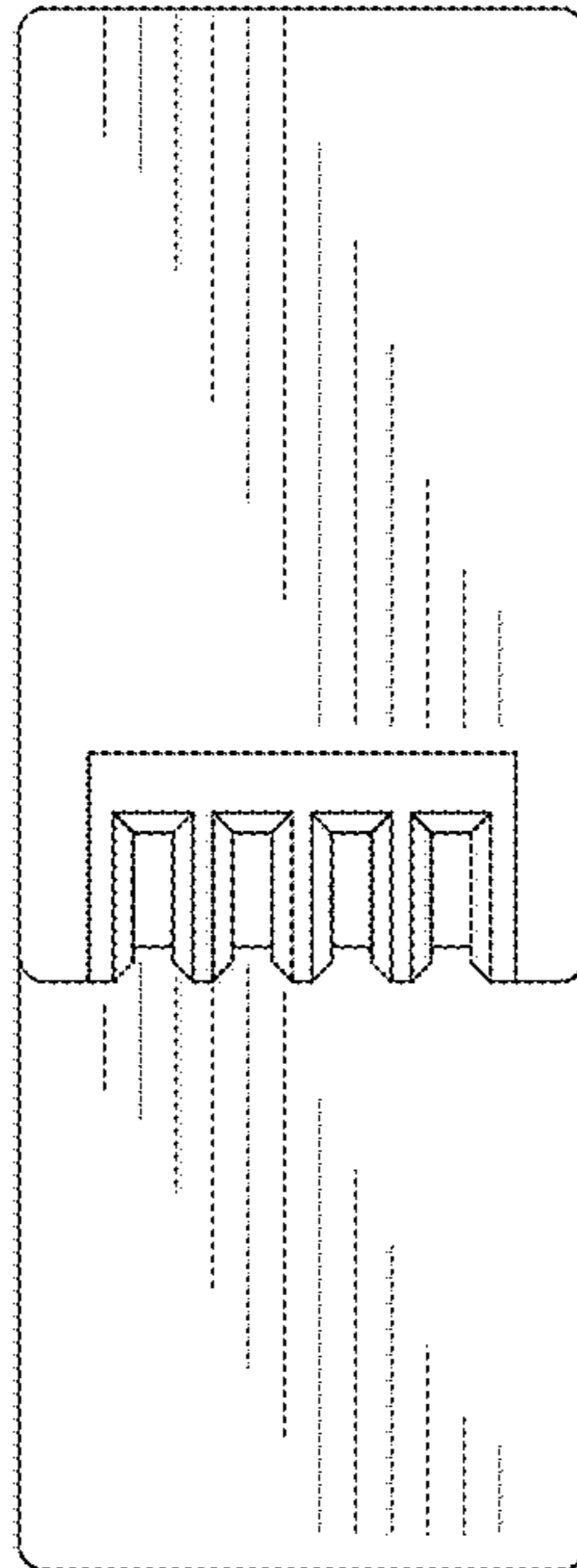


FIG. 6

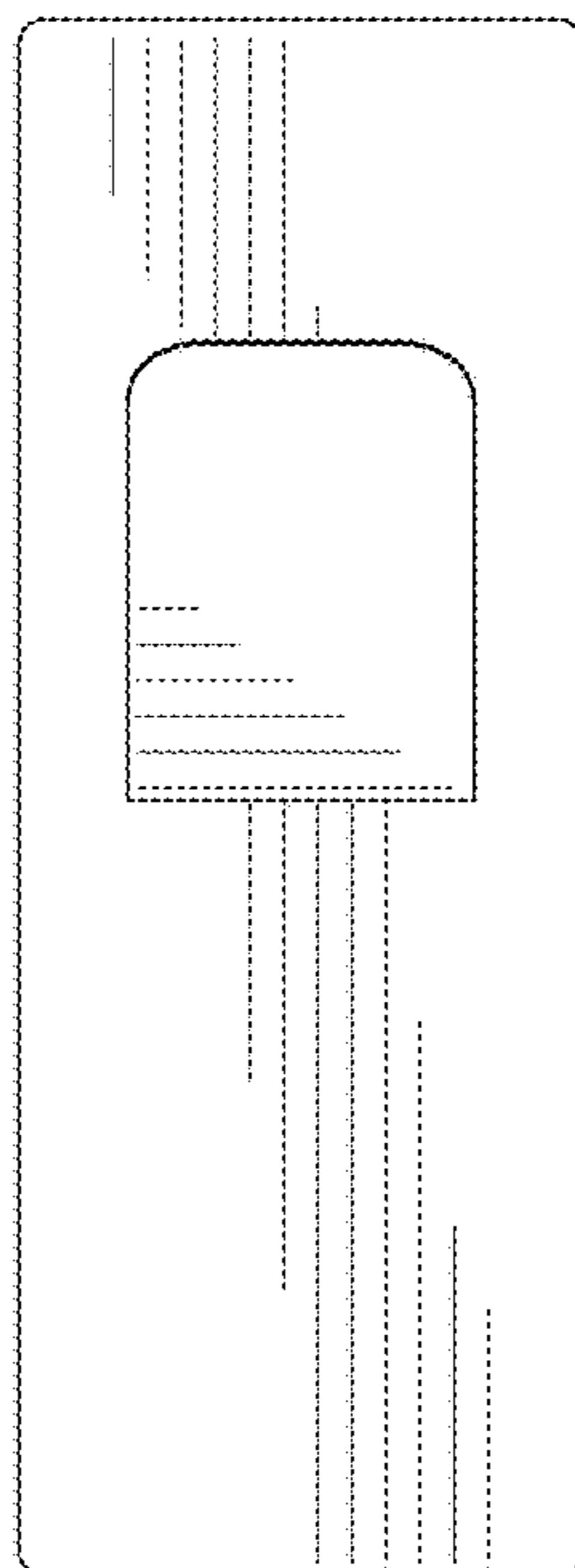


FIG. 7