



US00D791691S

(12) **United States Design Patent**  
**Tanabe**

(10) **Patent No.:** **US D791,691 S**

(45) **Date of Patent:** **\*\* Jul. 11, 2017**

(54) **TREAD PORTION OF AN AUTOMOBILE TIRE**

(71) Applicant: **BRIDGESTONE CORPORATION**,  
Chuo-ku, Tokyo (JP)

(72) Inventor: **Yoshiyuki Tanabe**, Chuo-ku (JP)

(73) Assignee: **BRIDGESTONE CORPORATION**,  
Tokyo (JP)

(\*\*) Term: **15 Years**

(21) Appl. No.: **29/546,738**

(22) Filed: **Nov. 25, 2015**

(30) **Foreign Application Priority Data**

May 27, 2015 (JP) ..... 2015-011723

(51) **LOC (10) Cl.** ..... **12-15**

(52) **U.S. Cl.**  
USPC ..... **D12/603**

(58) **Field of Classification Search**  
USPC ..... D12/559, 564, 565, 584, 594, 595, 600,  
D12/601, 602, 603, 900  
CPC ..... B60C 11/0306; B60C 11/0311; B60C  
11/0313; B60C 11/1204  
See application file for complete search history.

(56) **References Cited**

**U.S. PATENT DOCUMENTS**

D340,892 S \* 11/1993 Loeffler ..... D12/561  
D346,775 S \* 5/1994 Loser ..... D12/597  
D457,129 S \* 5/2002 Graas ..... D12/603  
D517,472 S \* 3/2006 Allison ..... D12/602

D585,816 S \* 2/2009 Campana ..... D12/584  
D600,635 S \* 9/2009 Finnell ..... D12/601  
D627,710 S \* 11/2010 Rodicq ..... D12/583  
D662,458 S \* 6/2012 De Benedittis ..... D12/595  
D676,804 S \* 2/2013 Ogawa ..... D12/598  
D718,227 S \* 11/2014 Honda ..... D12/582  
D729,726 S \* 5/2015 Shimizu ..... D12/567  
D733,036 S \* 6/2015 Kuwano ..... D12/521  
D759,584 S \* 6/2016 Ono ..... D12/588

\* cited by examiner

*Primary Examiner* — Robert M Spear

(74) *Attorney, Agent, or Firm* — Sughrue Mion, PLLC

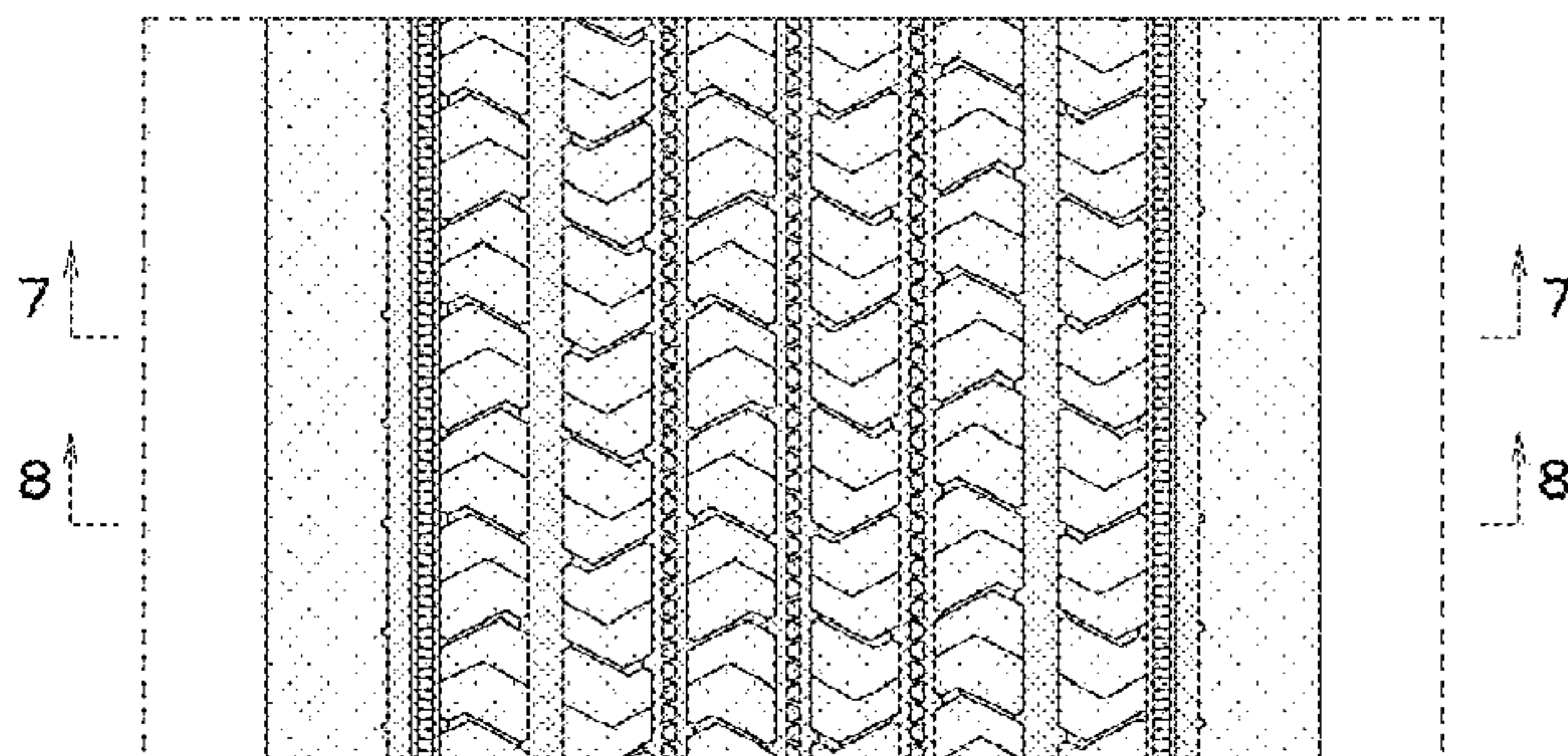
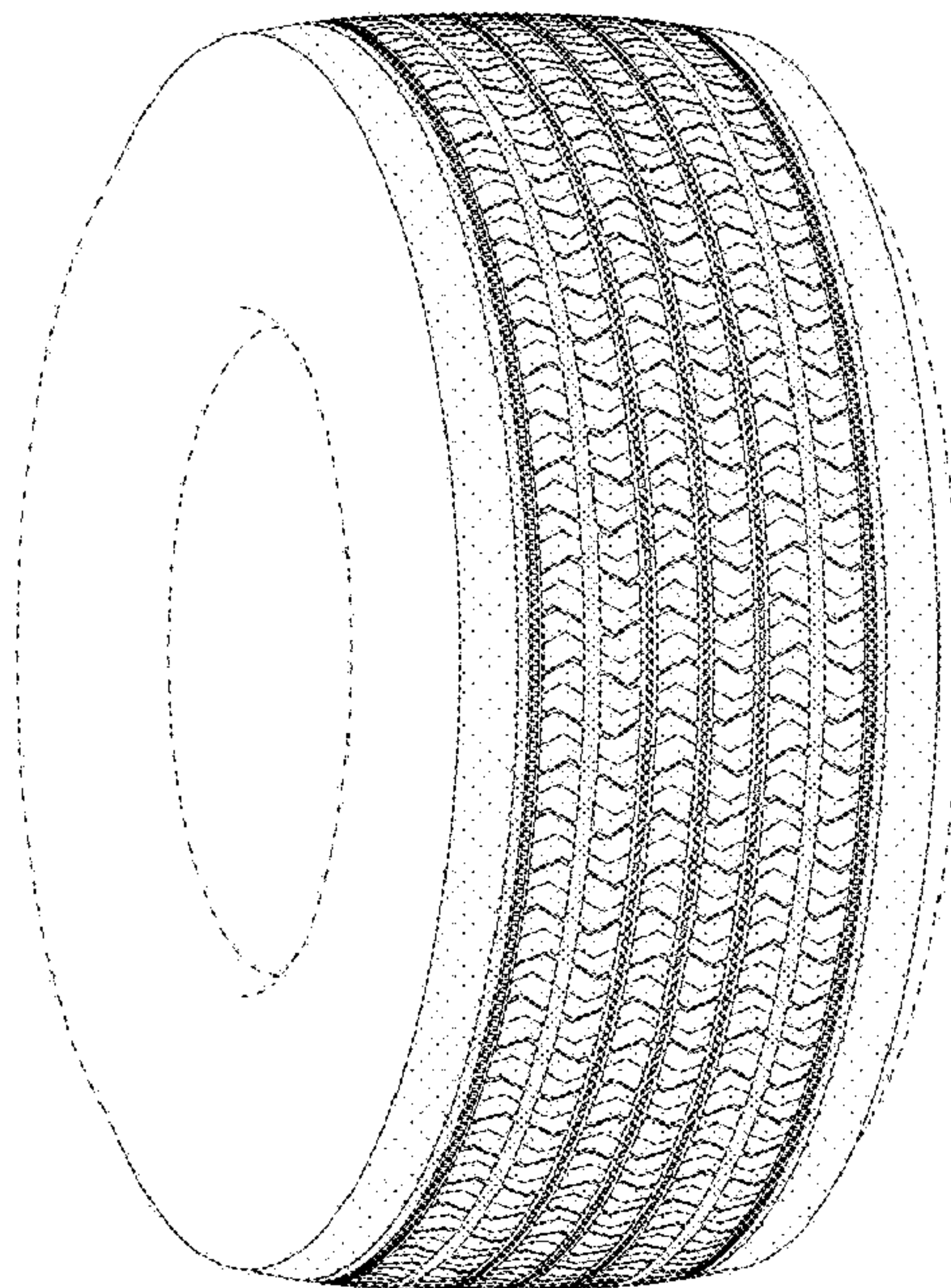
(57) **CLAIM**

The ornamental design for a tread portion of an automobile tire, as shown and described.

**DESCRIPTION**

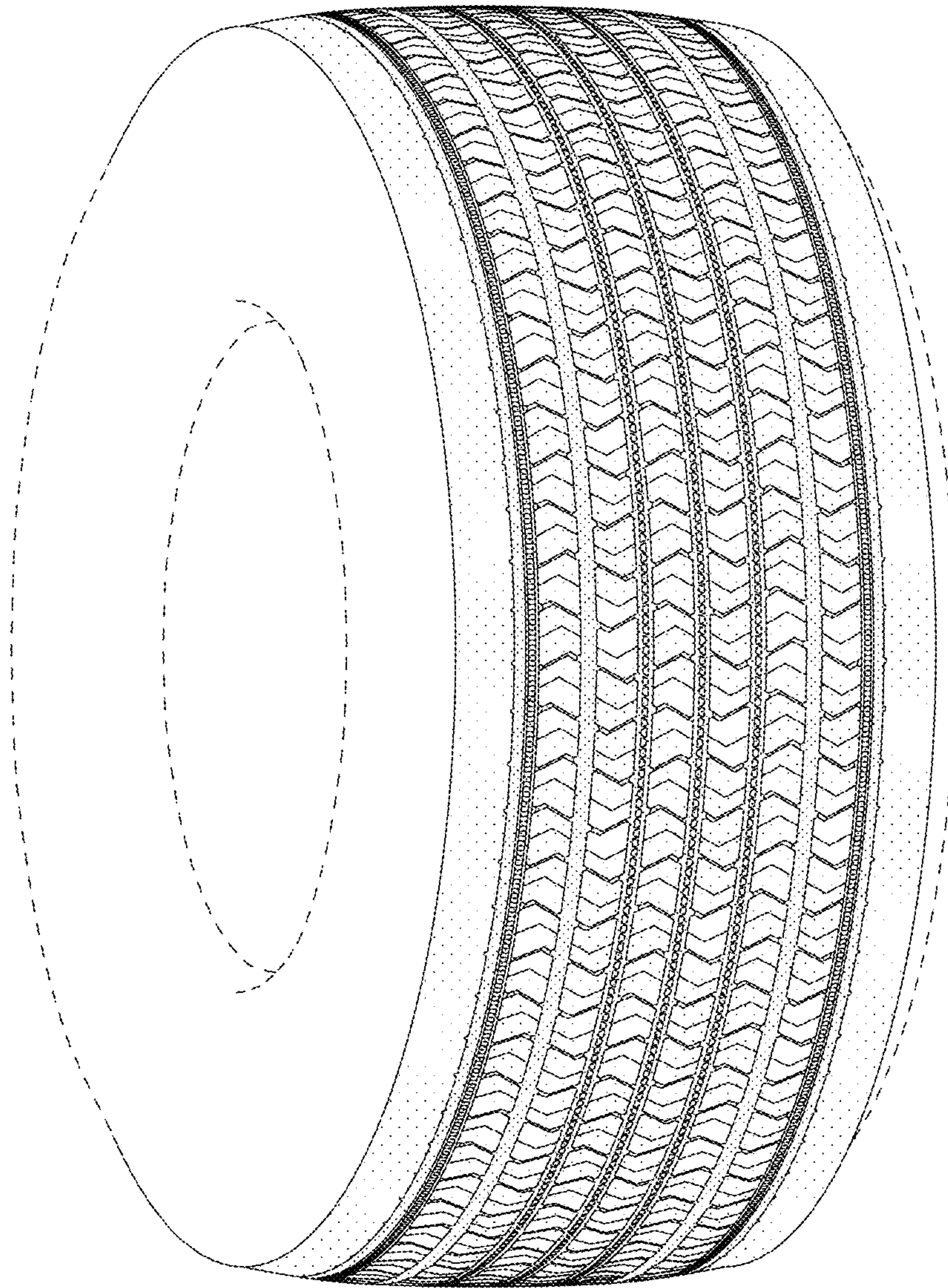
FIG. 1 is a perspective view of a tread portion of an automobile tire according to my design;  
FIG. 2 is a front view thereof;  
FIG. 3 is a right side view thereof;  
FIG. 4 is a left side view thereof;  
FIG. 5 is a rear view thereof;  
FIG. 6 is a fragmentary enlarged front view surrounded by line A-A and B-B in FIG. 2 showing the details of the tread portion thereof;  
FIG. 7 is a section view taken along line 7-7 in FIG. 6; and,  
FIG. 8 is a section view taken along line 8-8 in FIG. 6.  
The broken lines in the drawings are intended to show portions of the tire that are not being claimed, and thus form no part of the claimed design.

**1 Claim, 8 Drawing Sheets**

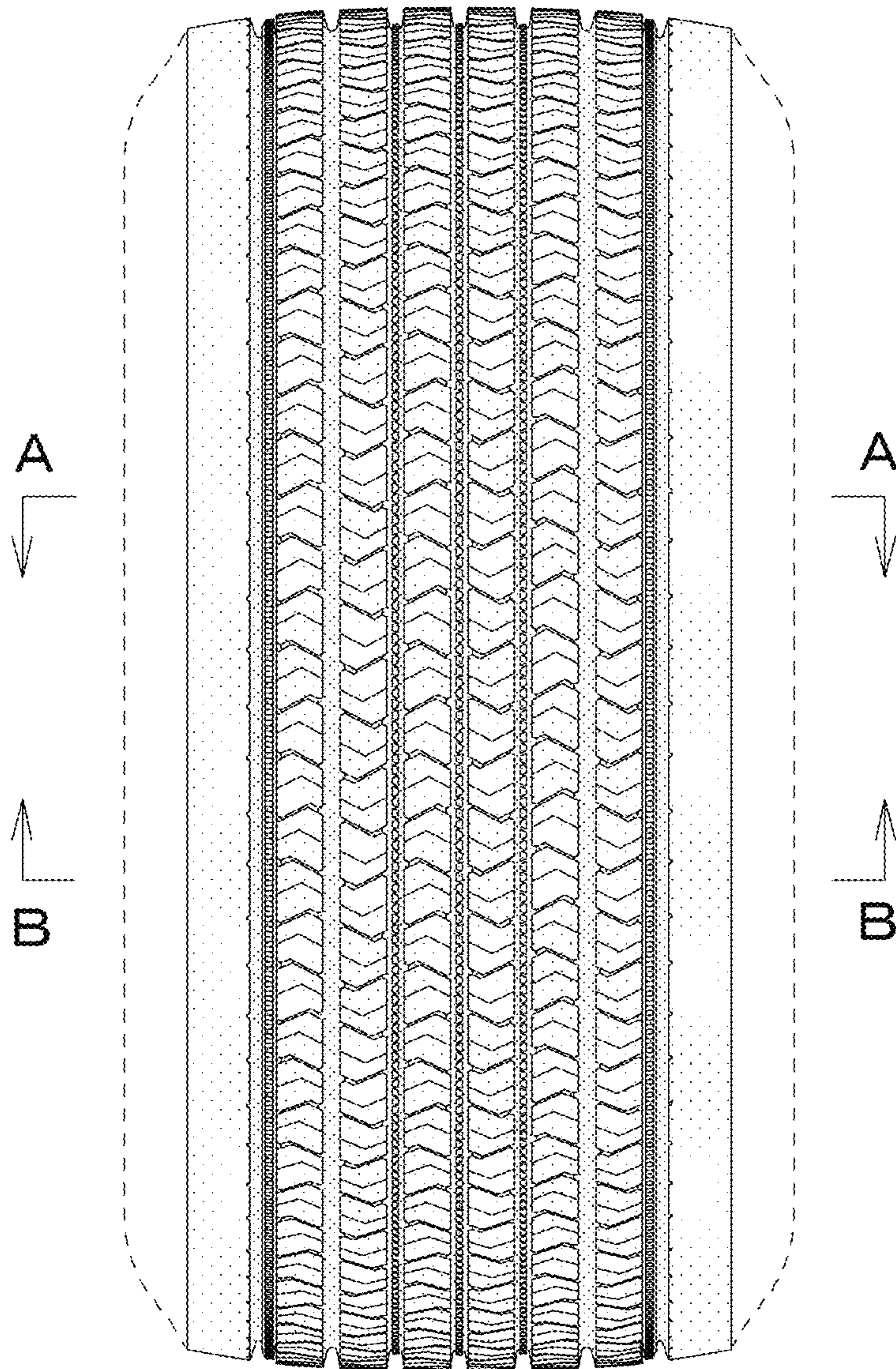




*FIG. 1*

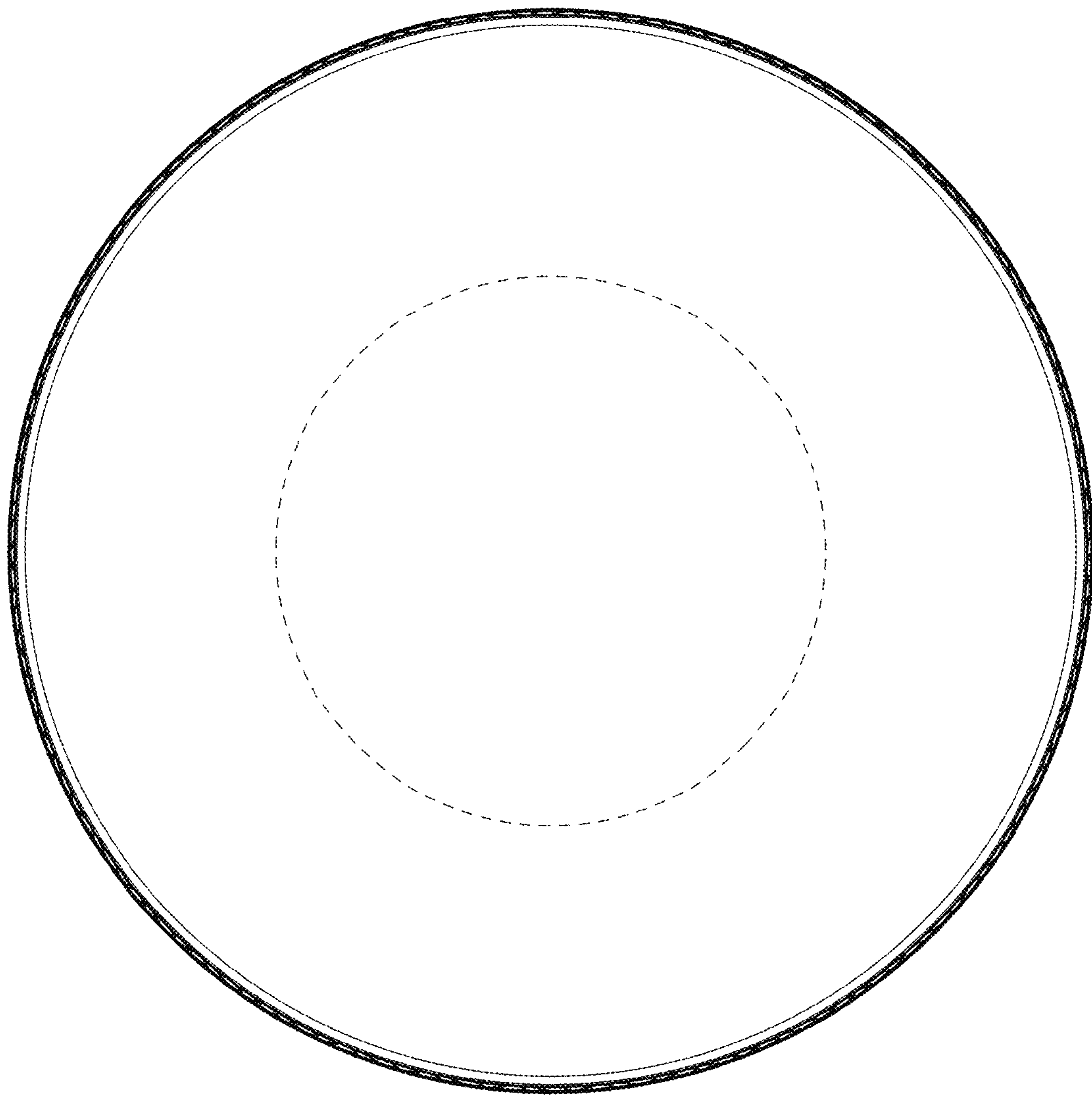


*FIG. 2*

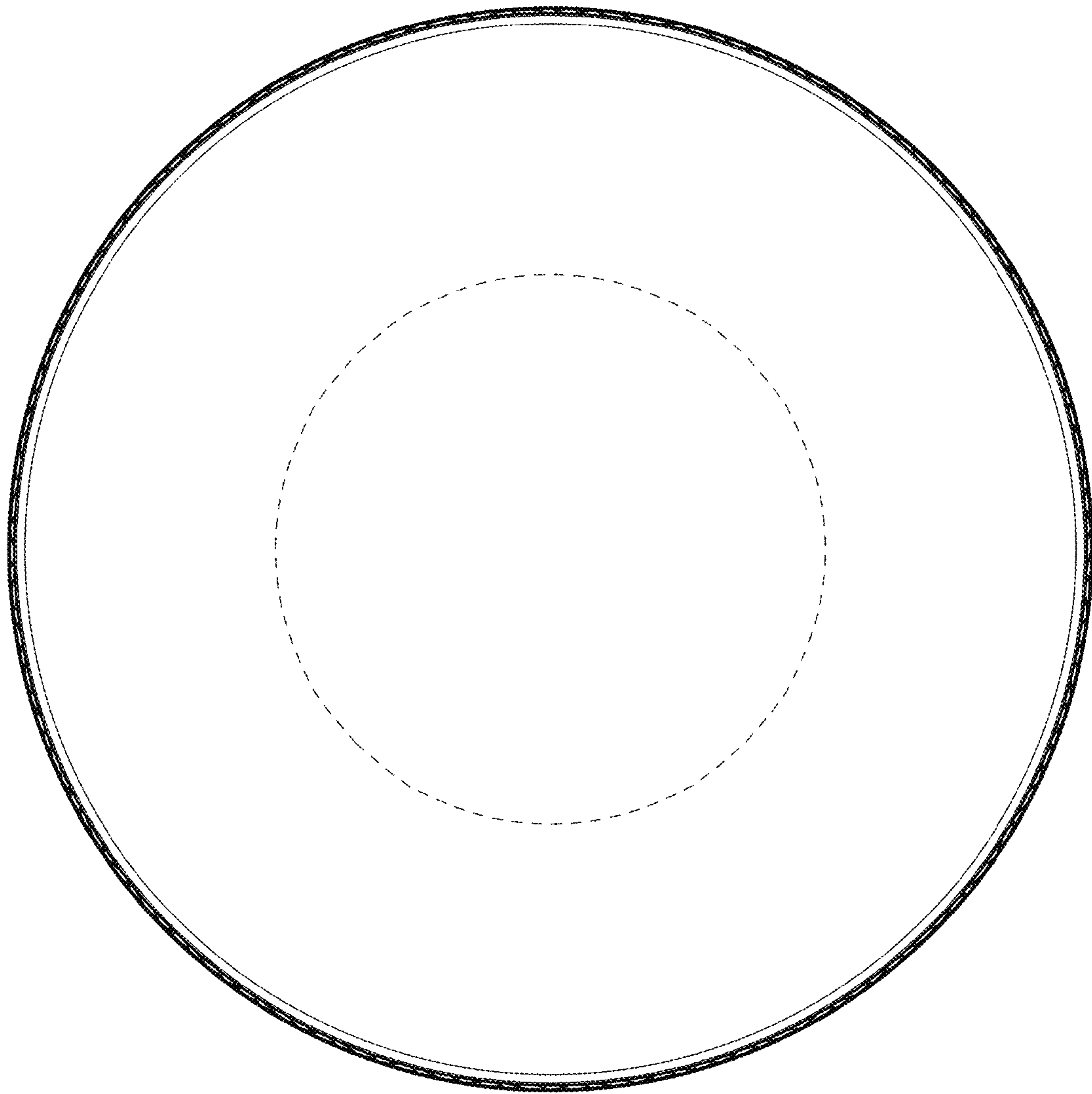




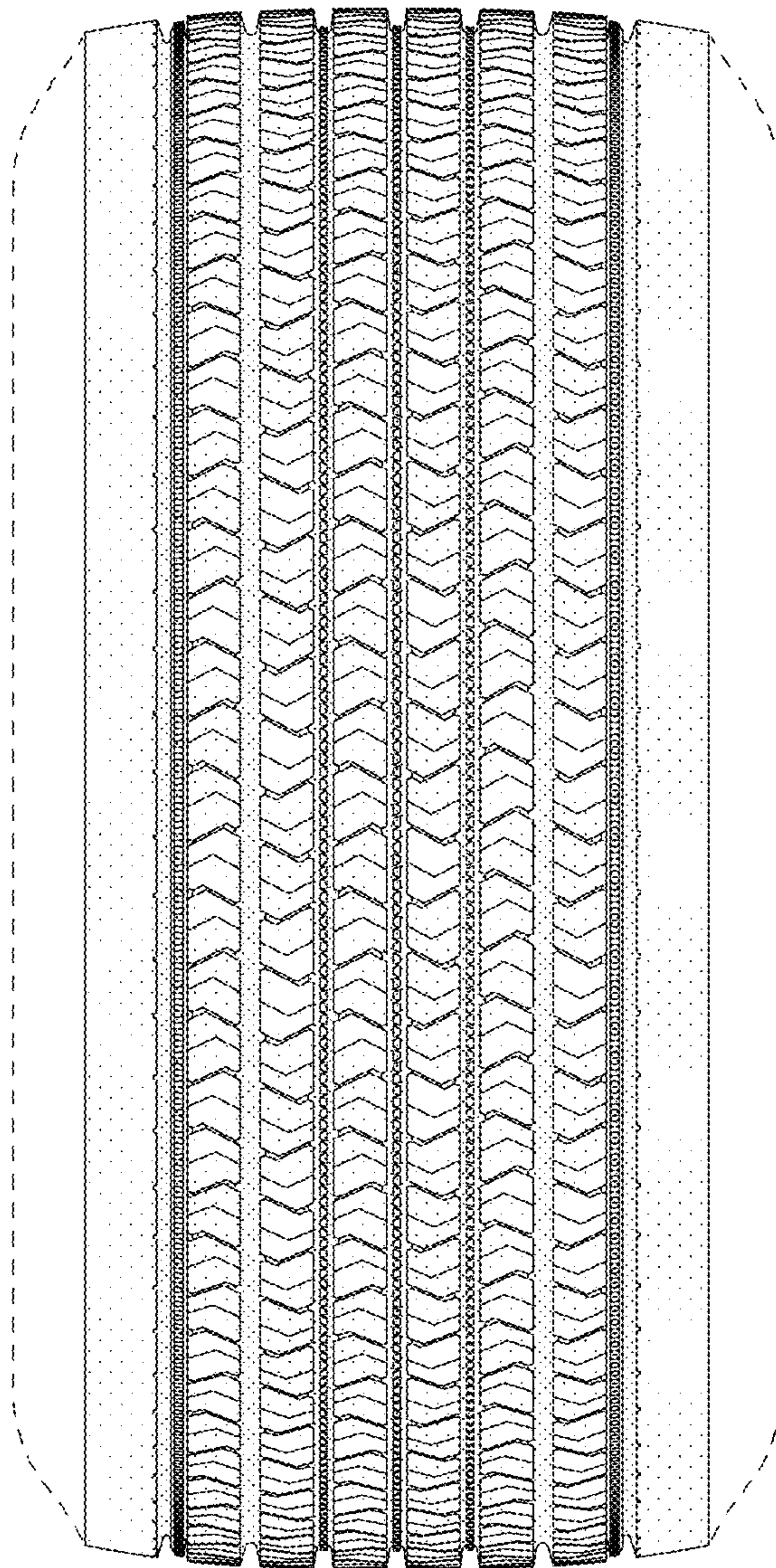
*FIG. 3*



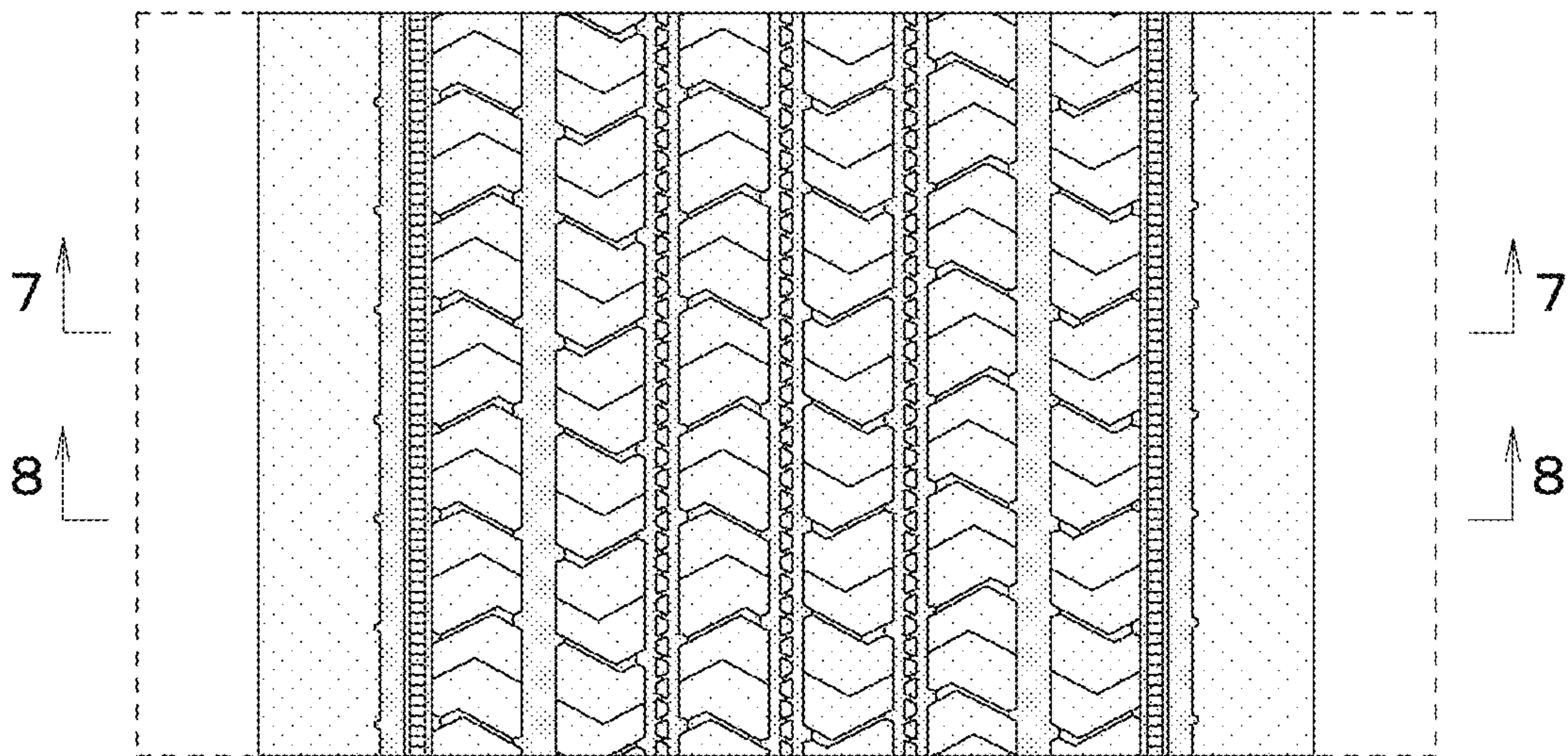
*FIG. 4*



*FIG. 5*

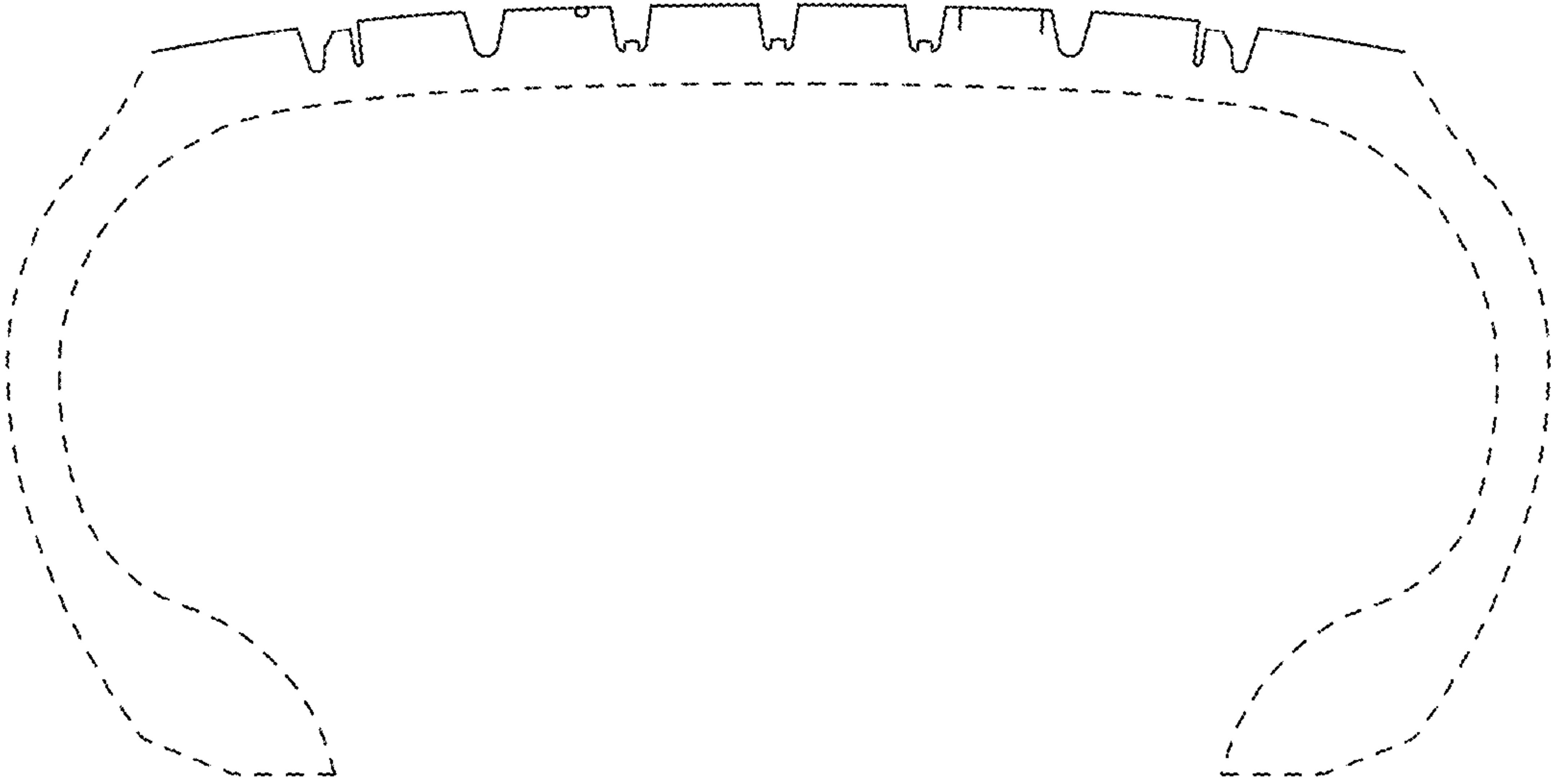


*FIG. 6*





*FIG. 7*





*FIG. 8*

