

US00D791689S

(12) **United States Design Patent** (10) **Patent No.:** **US D791,689 S**  
**Schuessler** (45) **Date of Patent:** **\*\* Jul. 11, 2017**

(54) **TIRE TREAD**

(71) Applicant: **Chelsea L. Schuessler**, Findlay, OH (US)

(72) Inventor: **Chelsea L. Schuessler**, Findlay, OH (US)

(73) Assignee: **COOPER TIRE & RUBBER COMPANY**, Findlay, OH (US)

(\*\*) Term: **15 Years**

(21) Appl. No.: **29/540,641**

(22) Filed: **Sep. 25, 2015**

(51) **LOC (10) Cl.** ..... **12-15**

(52) **U.S. Cl.**  
USPC ..... **D12/594**

(58) **Field of Classification Search**  
USPC ..... D12/579, 587, 588, 594, 600, 900  
CPC . B60C 11/03; B60C 11/0306; B60C 11/0309;  
B60C 11/0311; B60C 11/0332; B60C  
11/0337; B60C 11/11; B60C 11/12  
See application file for complete search history.

(56) **References Cited**

U.S. PATENT DOCUMENTS

D384,613 S \* 10/1997 Le ..... D12/594  
D485,231 S \* 1/2004 Nonaka ..... D12/594  
D505,387 S \* 5/2005 Nonaka ..... D12/579  
D609,163 S \* 2/2010 Buchinger-Barnstorf ... D12/576

D628,955 S \* 12/2010 Toumni ..... D12/588  
D645,396 S \* 9/2011 Jacobs ..... D12/600  
D713,783 S \* 9/2014 Buchinger-Barnstorf ... D12/600  
D738,815 S \* 9/2015 Dixon ..... D12/594  
D763,180 S \* 8/2016 Siam ..... D12/588  
D765,583 S \* 9/2016 Wang ..... D12/579

\* cited by examiner

*Primary Examiner* — Robert M Spear

(74) *Attorney, Agent, or Firm* — Fay Sharpe LLP

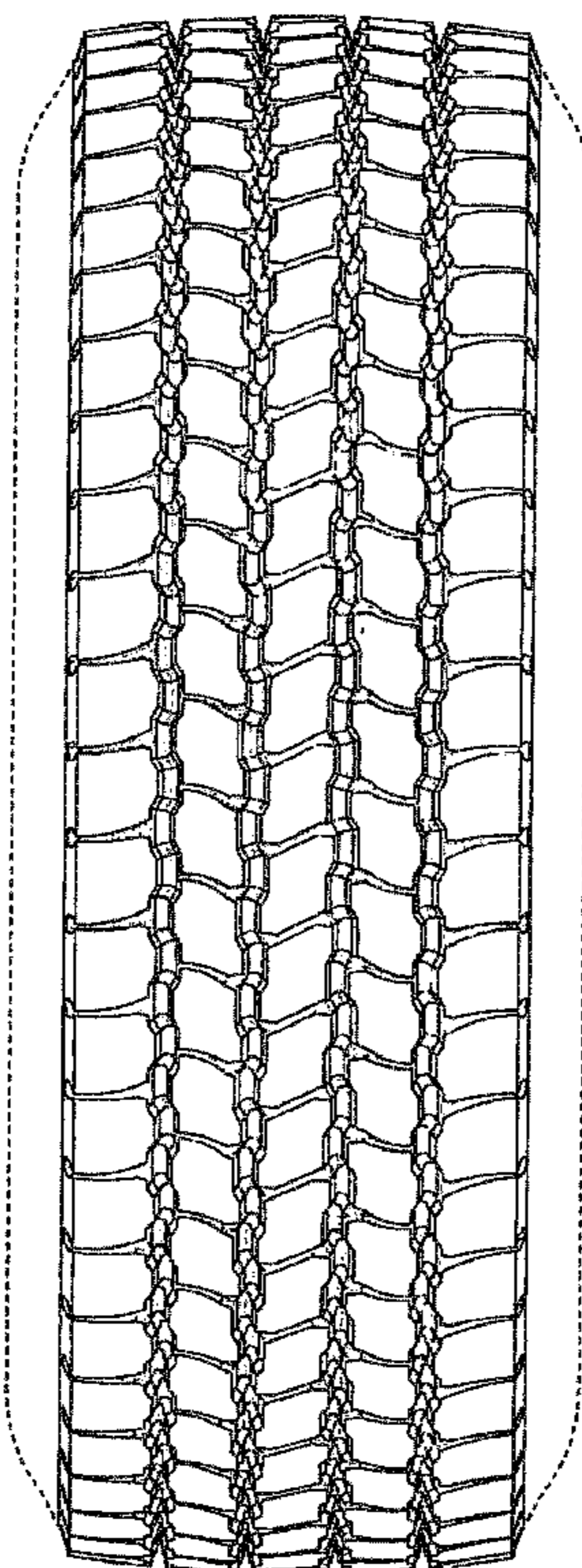
(57) **CLAIM**

The ornamental design for a tire tread, as shown and described.

**DESCRIPTION**

FIG. 1 is a perspective view of the tire tread of the present design;  
FIG. 2 is a front view thereof;  
FIG. 3 is an enlarged partial front view thereof; and,  
FIG. 4 is a partial side view thereof.  
The broken lines and the region defining the inner bead and the sidewall depict subject matter that forms no part of the claimed tire tread design, and are included for the purpose of illustrating the full tire. The tread pattern is understood to repeat throughout the circumference of the tire. The remaining three-fourths of the side view is repetitious of the illustrated one-fourth side view. The other side view is identical to the illustrated side view.

**1 Claim, 4 Drawing Sheets**



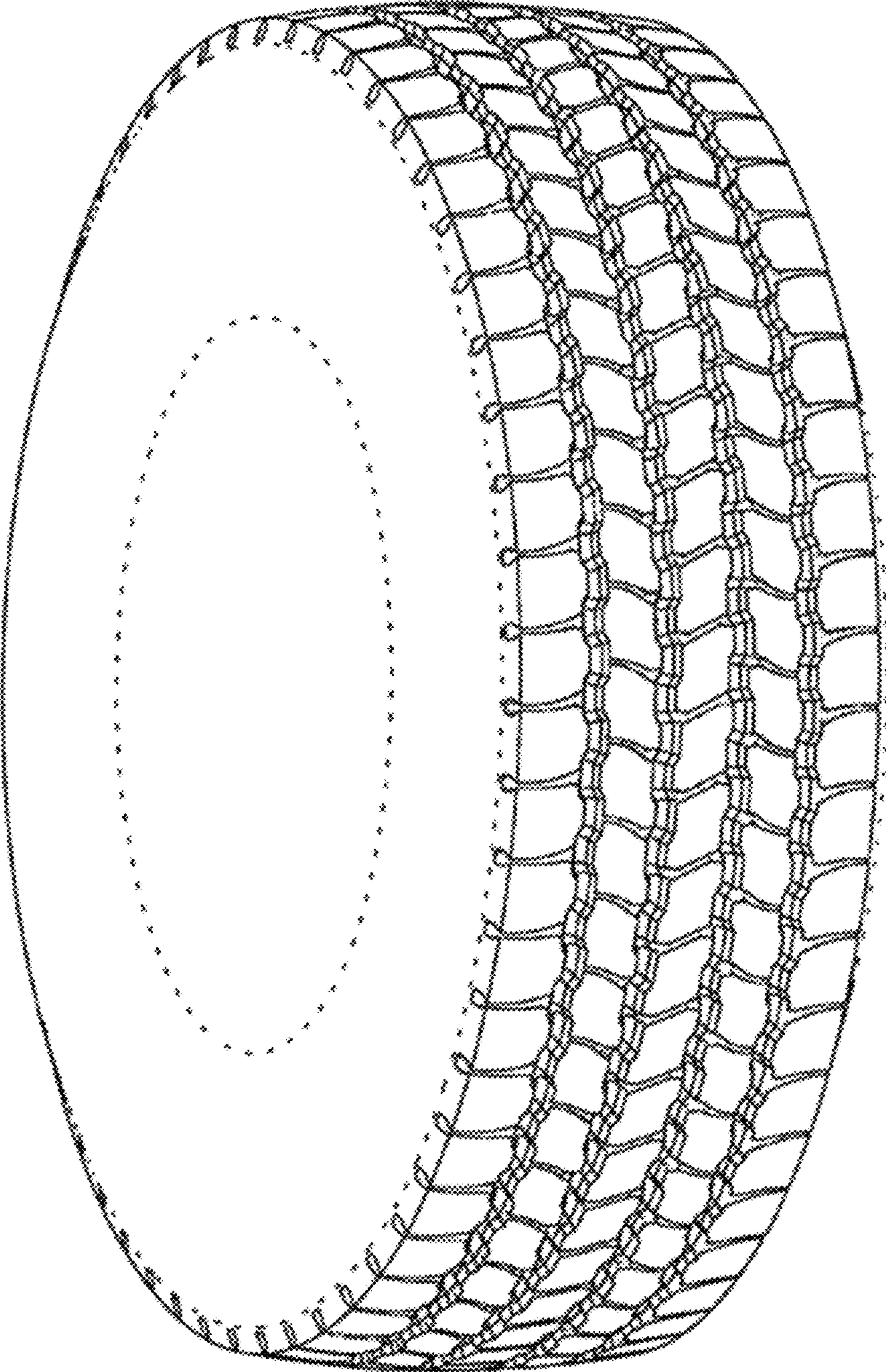


FIG. 1



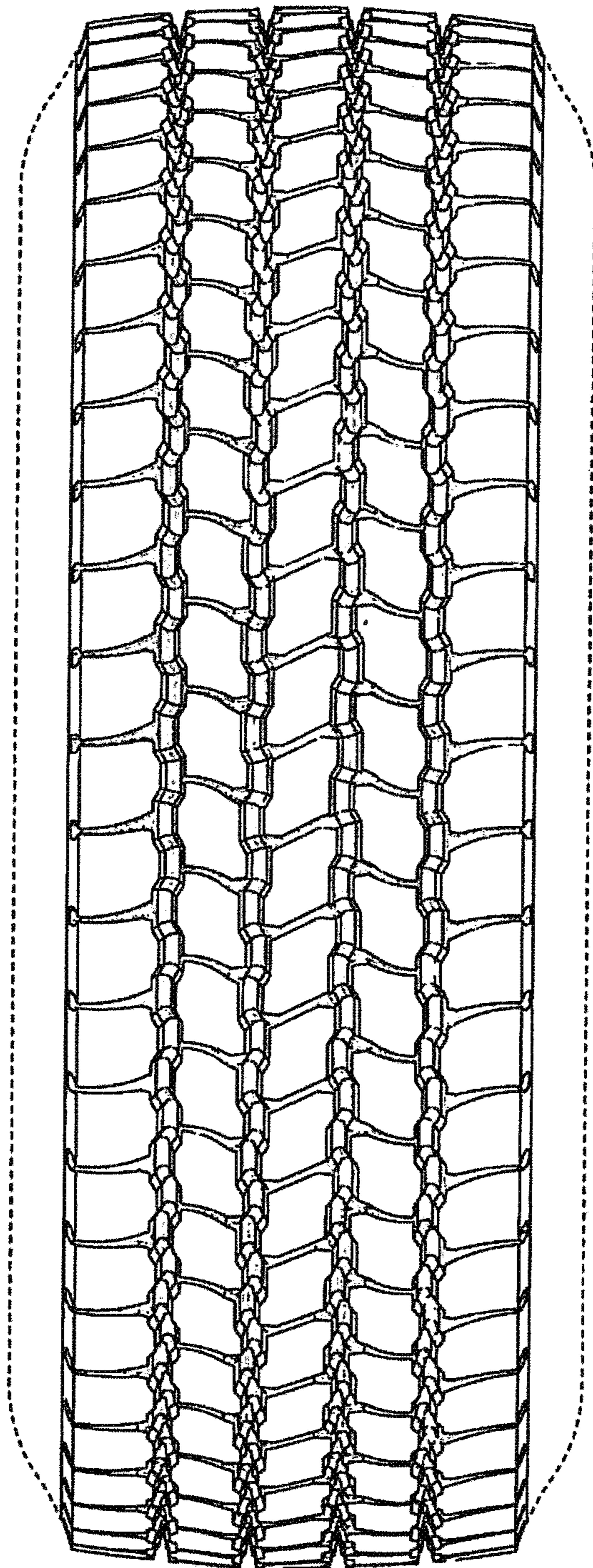


FIG. 2

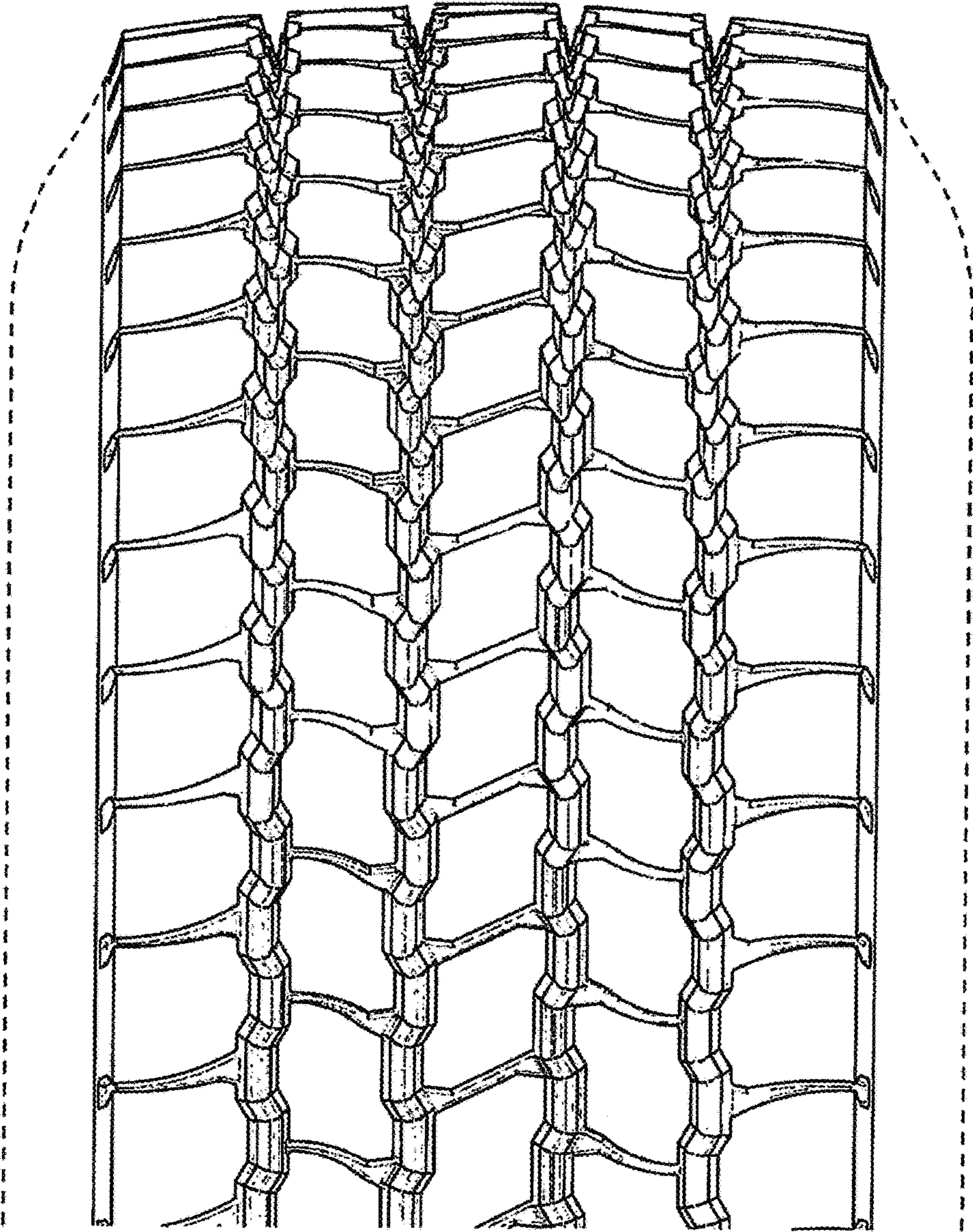


FIG. 3

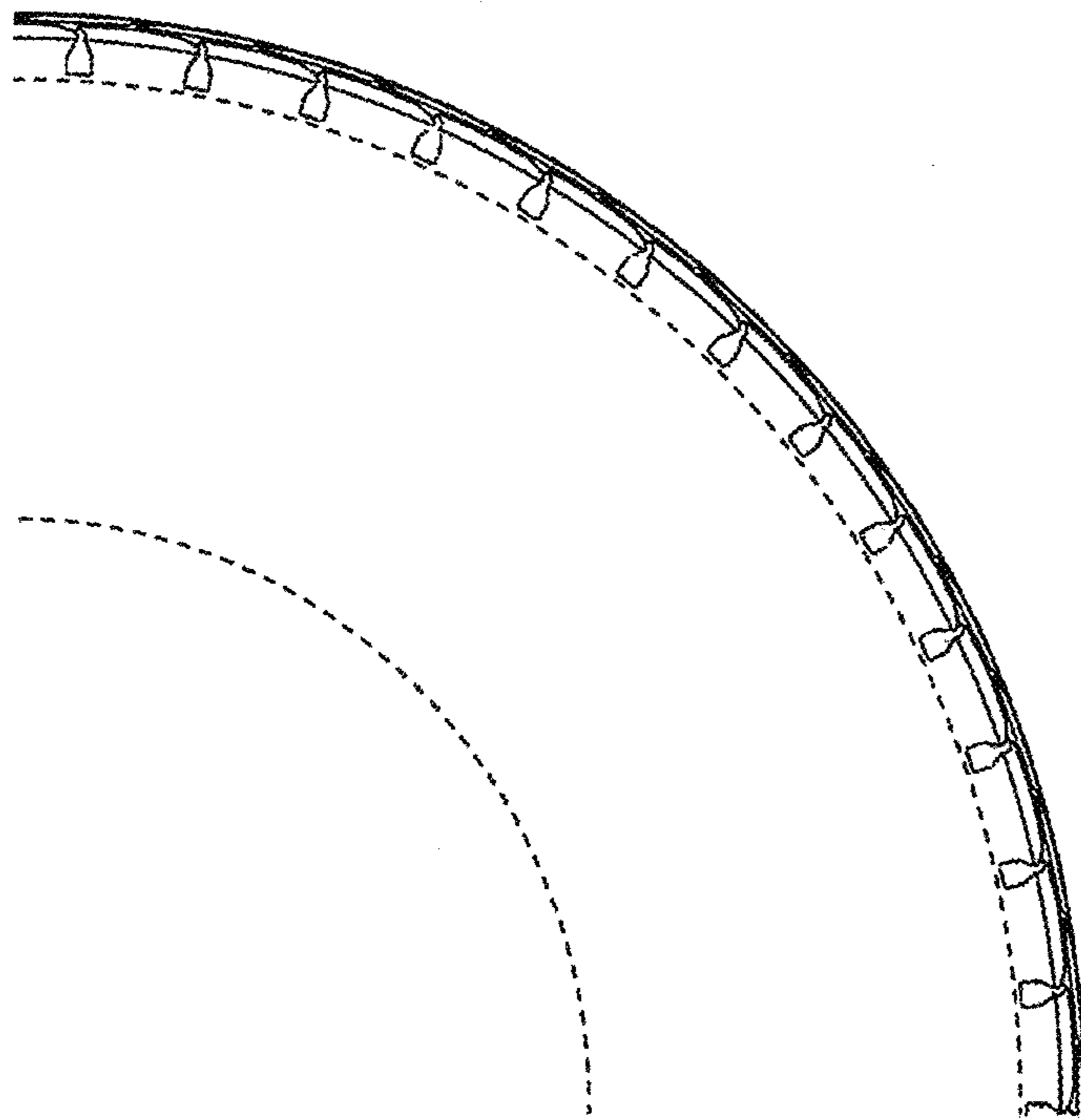


FIG. 4